



US00D929127S

(12) **United States Design Patent** (10) **Patent No.:** **US D929,127 S**
Ding (45) **Date of Patent:** **** Aug. 31, 2021**

(54) **STORAGE BOX**

(71) Applicant: **Guobin Ding**, Qingtongxia (CN)

(72) Inventor: **Guobin Ding**, Qingtongxia (CN)

(**) Term: **15 Years**

(21) Appl. No.: **29/764,951**

(22) Filed: **Jan. 5, 2021**

(51) **LOC (13) Cl.** **03-01**

(52) **U.S. Cl.**

USPC **D3/273; D3/302**

(58) **Field of Classification Search**

USPC D3/20, 24, 25, 274, 276, 291, 302, 905,
D3/294, 201, 203.1, 203.2, 273, 295, 298,
D3/318, 901, 902, 903, 217

CPC A45F 3/48; B65D 50/04; A45C 2011/001;
A45C 2011/003

See application file for complete search history.

(56) **References Cited**

U.S. PATENT DOCUMENTS

D392,563 S *	3/1998	Iwanaga	D9/422
D477,219 S *	7/2003	Waterhouse	D9/430
D637,138 S *	5/2011	Ehrat	D12/413
D660,584 S *	5/2012	Cross	D3/216
D672,955 S *	12/2012	Benshetrit	D3/279
D726,405 S *	4/2015	Nassanian	D3/216
D800,989 S	10/2017	Lucido		
D806,395 S *	1/2018	Jacob	D3/321
D843,713 S *	3/2019	Li	D3/217
D848,146 S	5/2019	Kincade et al.		
D861,693 S *	10/2019	Ranade	D14/432
D864,567 S	10/2019	Kincade et al.		
D899,087 S	10/2020	Kuhls		
D899,773 S	10/2020	Hu		

OTHER PUBLICATIONS

Amazon, "Oculus Quest 2 Case SARLAR Hard Chest Shoulder Backpack . . .", First on sale Nov. 3, 2020. (<https://www.amazon.com/SARLAR-Shoulder-Backpack-Controllers-Accessories/dp/B08MLNFYXY>) (Year: 2020).*

Amazon, "SARLAR Design Fashion Hard Travel Case for Oculus Quest 2 . . .", First on sale Dec. 21, 2020. (<https://www.amazon.com/SARLAR-Controller-Accessories-Crossbody-Shoulder/dp/B08R3PBDL3/>) (Year: 2020).*

TechCrunch, "HP's new Nvidia-powered backpack VR PC is designed for work, not play", Published Aug. 2, 2017. (<https://techcrunch.com/2017/08/02/hps-new-nvidia-powered-backpack-vr-pc-is-designed-for-work-not-play/>) (Year: 2017).*

Amazon, "Mark ryden Anti Theft Waterproof Backpack Laptop Backpack . . .", First on sale Sep. 22, 2019. (<https://www.amazon.com/Waterproof-Backpack-Laptop-Travel-School/dp/B07Y76NSR7/>) (Year: 2019).*

* cited by examiner

Primary Examiner — April Rivas

(74) *Attorney, Agent, or Firm* — Che-Yang Chen; Law Office of Michael Chen

(57) **CLAIM**

The ornamental design for a storage box, as shown and described.

DESCRIPTION

FIG. 1 is a perspective view of the storage box showing my new design;

FIG. 2 is a front elevational view thereof;

FIG. 3 is a rear elevational view thereof;

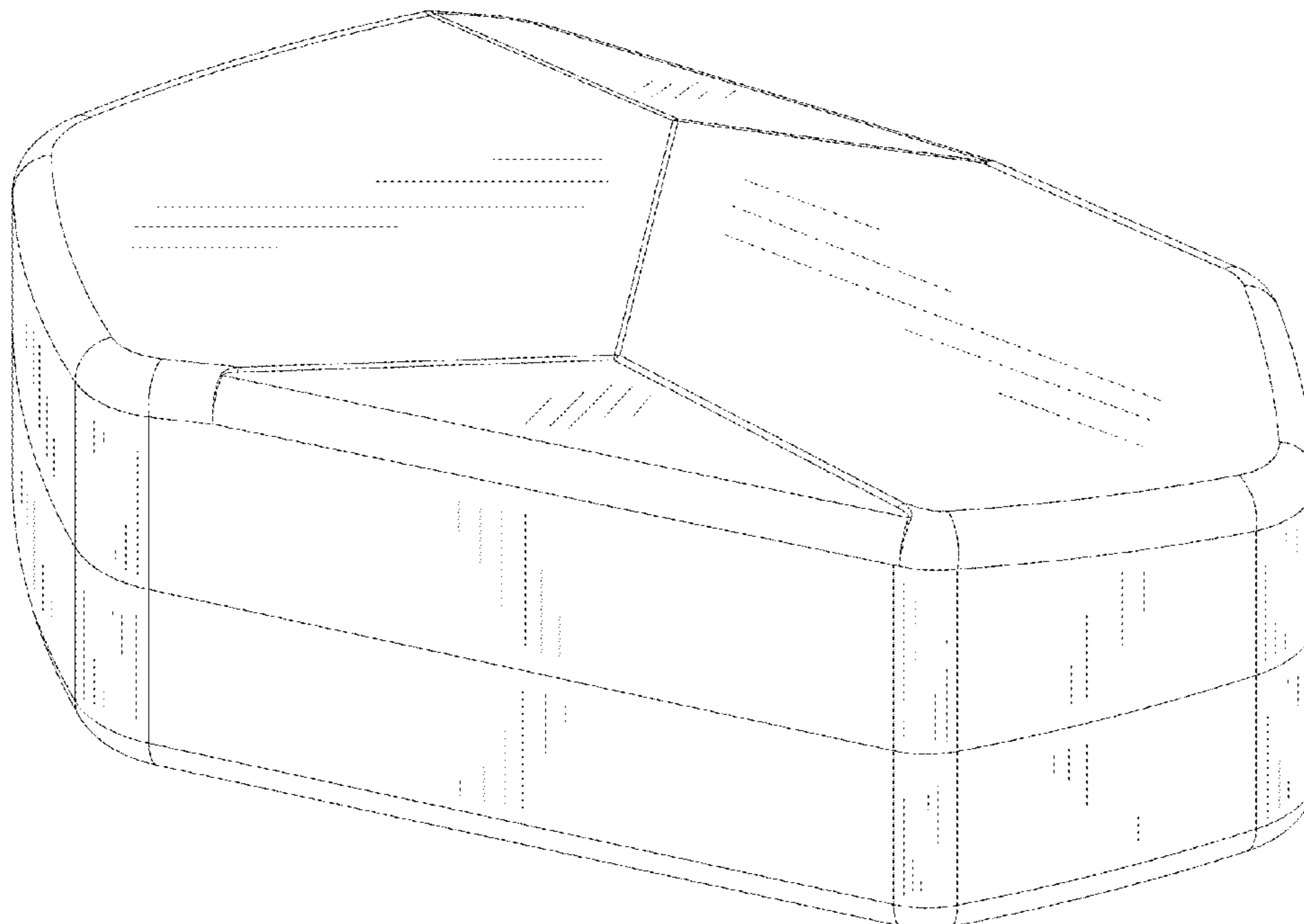
FIG. 4 is a left side elevational view thereof;

FIG. 5 is a right side elevational view thereof;

FIG. 6 is a top plan view thereof; and,

FIG. 7 is a bottom plan view thereof.

1 Claim, 7 Drawing Sheets



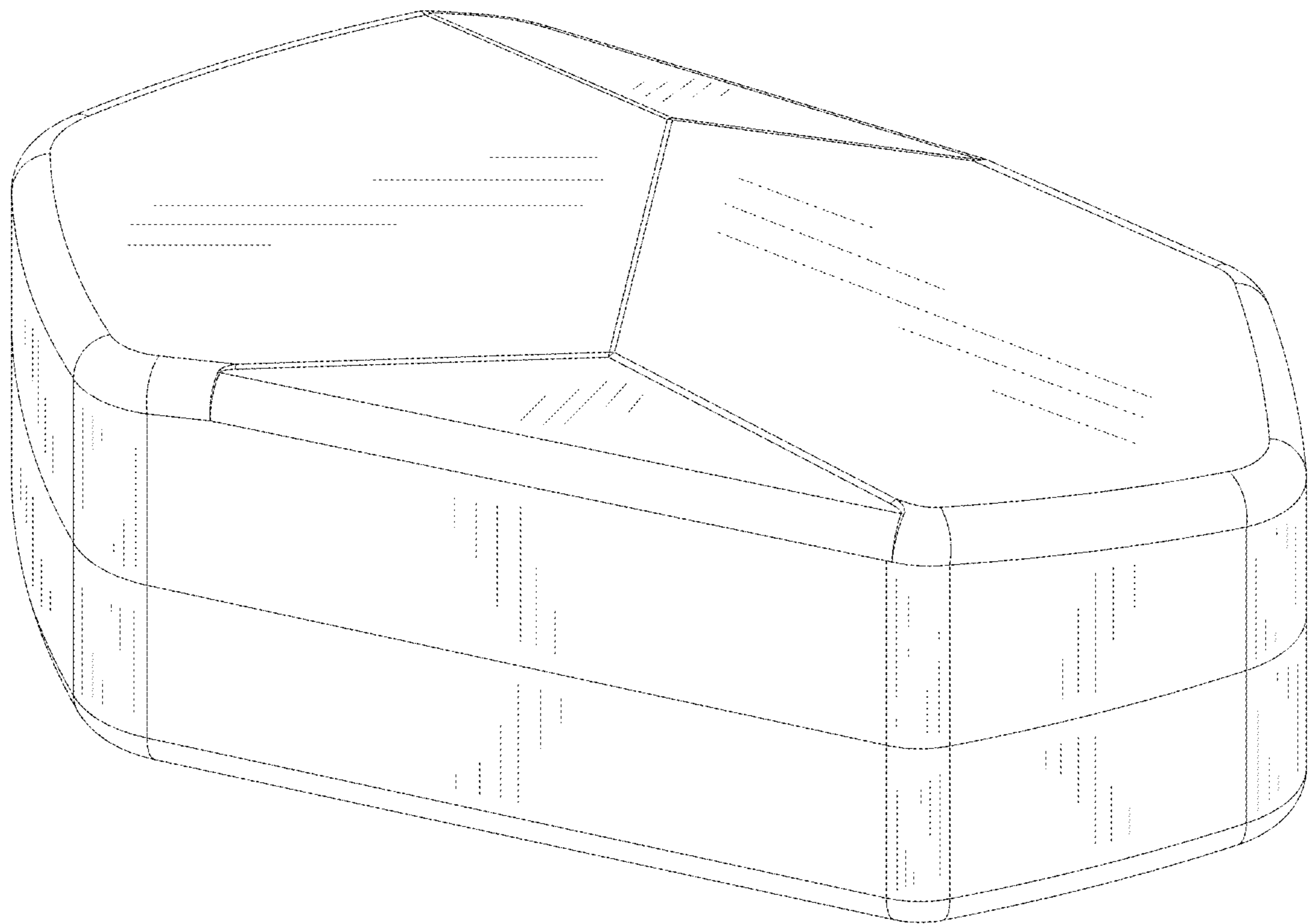


FIG.1

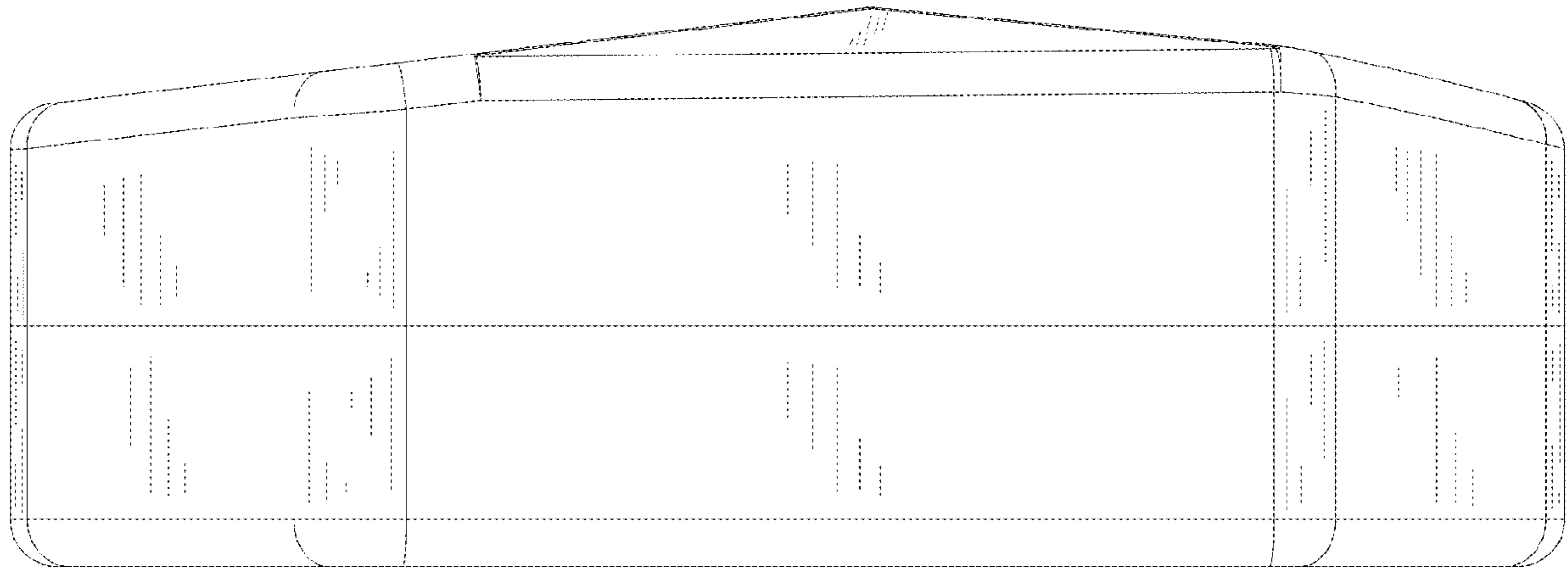


FIG. 2

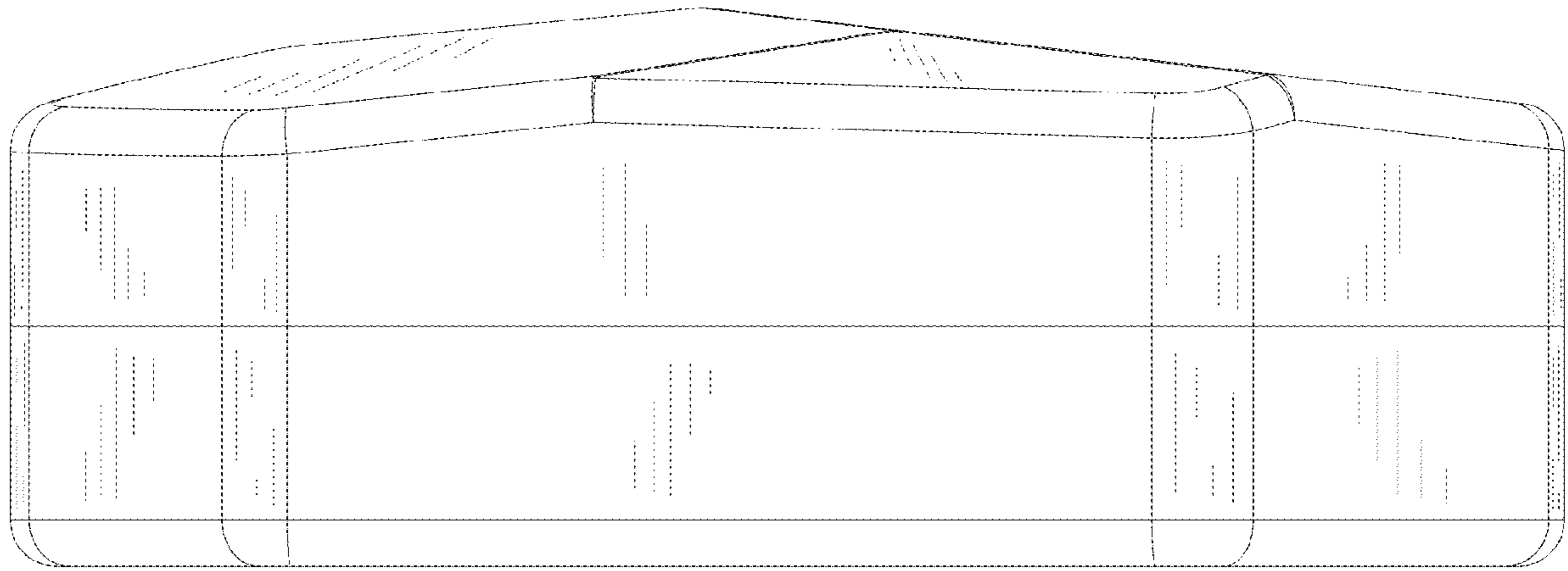


FIG.3

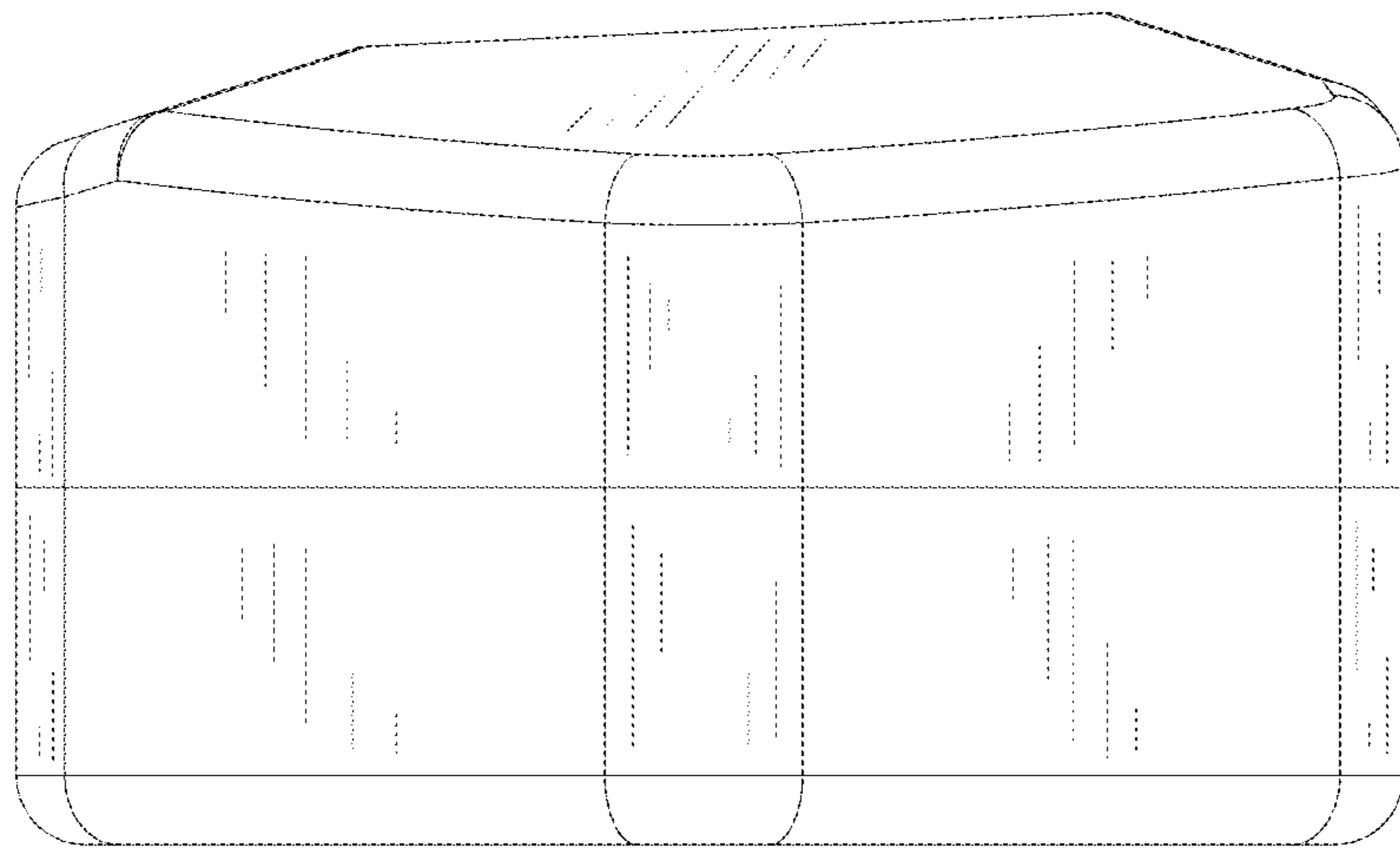


FIG. 4

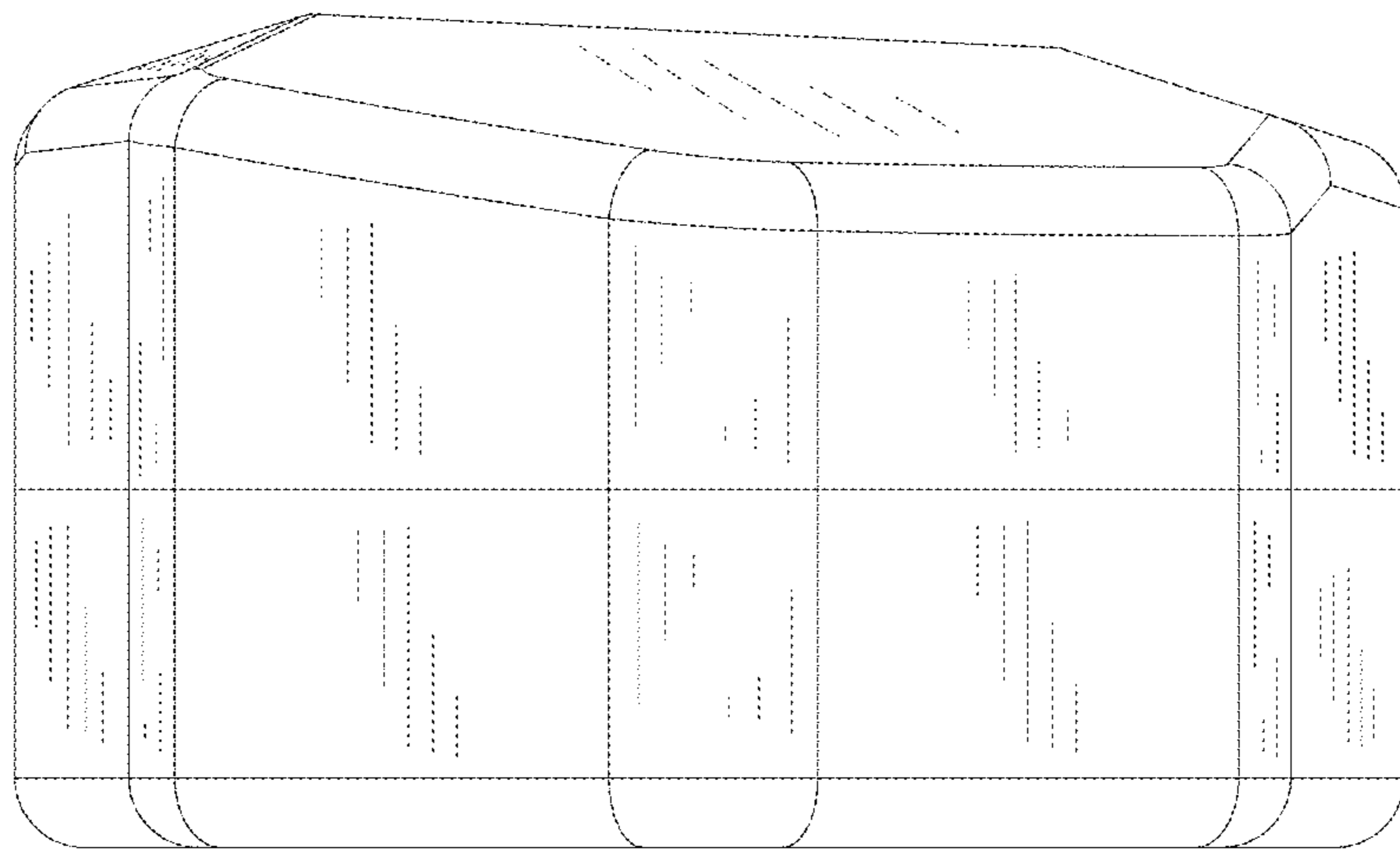


FIG. 5

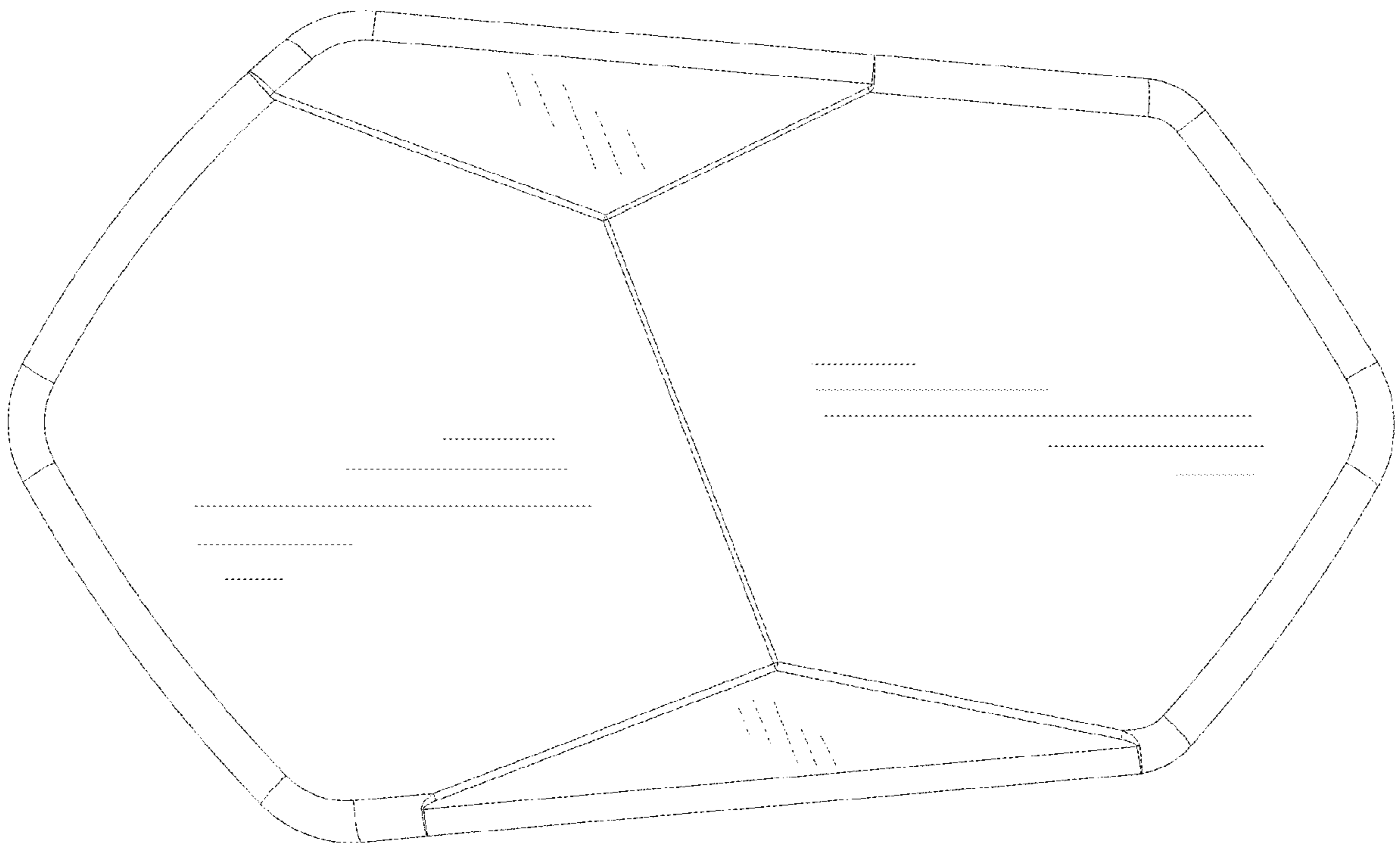


FIG. 6

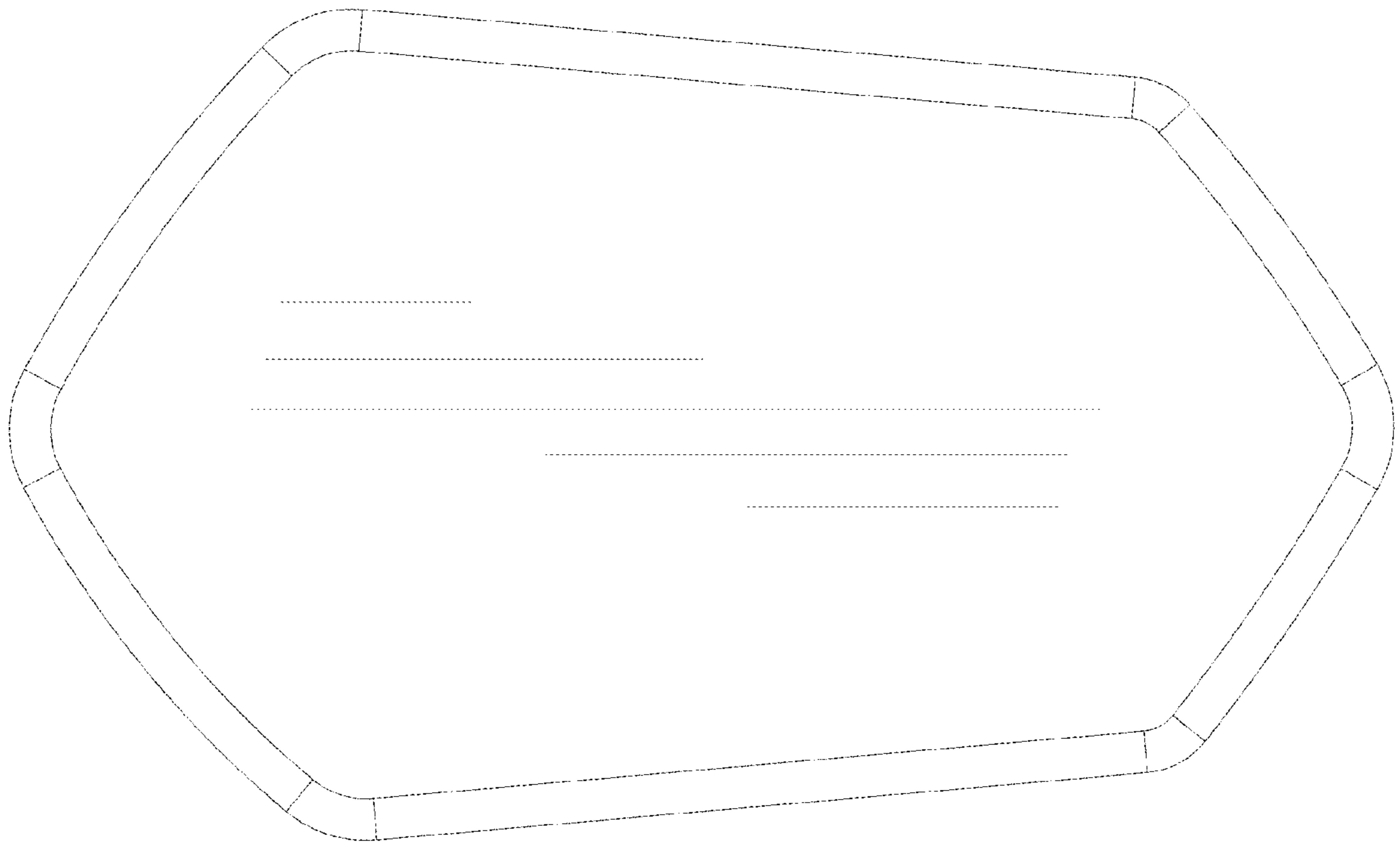


FIG. 7