



US00D929126S

(12) **United States Design Patent** (10) **Patent No.:** **US D929,126 S**
Ha (45) **Date of Patent:** **** Aug. 31, 2021**

(54) **STABILITY BALL CASE**

(71) Applicant: **Sungsoo Ha**, Seoul (KR)

(72) Inventor: **Sungsoo Ha**, Seoul (KR)

(**) Term: **15 Years**

(21) Appl. No.: **29/727,301**

(22) Filed: **Mar. 10, 2020**

(51) **LOC (13) Cl.** **03-01**

(52) **U.S. Cl.**
USPC **D3/257**

(58) **Field of Classification Search**

USPC D3/201, 254, 257, 269, 271.9, 301, 303,
D3/315, 229; D6/349, 610, 611;
D21/680

CPC A63B 47/00; A63B 43/02; A63B 41/08
See application file for complete search history.

(56) **References Cited**

U.S. PATENT DOCUMENTS

D318,567 S *	7/1991	Smith	D3/238
5,085,320 A *	2/1992	Scott	A63B 47/007 150/107
D340,072 S *	10/1993	Turner	D19/82
D417,074 S *	11/1999	Rugg	D3/221
D437,482 S *	2/2001	Rugg	A63B 47/007 D3/257
D468,906 S *	1/2003	Rugg	A63B 47/001 D3/257
6,892,916 B1 *	5/2005	Rugg	A63B 47/001 224/645
D634,792 S *	3/2011	Goodman-Pollack	D21/453
D655,910 S *	3/2012	Kao	D3/229
D712,171 S *	9/2014	Alessandri	D6/349
D725,723 S *	3/2015	Eddie	D21/680
D747,873 S *	1/2016	Peng	A47C 3/16 D3/234

2015/0133279 A1 *	5/2015	Alessandri	A63B 23/0233 482/142
2018/0304124 A1 *	10/2018	Ha	A47C 3/16
2019/0111308 A1 *	4/2019	Naomi	A63B 23/0355

OTHER PUBLICATIONS

Weaver Leather Stacy Westfall Activity Ball Cover, announced May 30, 2012 [online], [site visited Mar. 10, 2021], available from internet. URL: <<https://www.amazon.com/Weaver-Leather-Westfall-Activity-Medium/dp/B0077JOXVE/?th=1>> (Year: 2012).*

Vluv Leiv 29.5" Premium Quality Self-Standing Sitting Ball with Handle, announced May 10, 2018 [online], [site visited Mar. 10, 2021], available from internet. URL: <<https://www.amazon.com/VLUV-Premium-Quality-Self-Standing-Sitting/dp/B075XLFJDR/?th=1>> (Year: 2017).*

(Continued)

Primary Examiner — Kevin K Rudzinski

Assistant Examiner — Amber J Rabie

(74) *Attorney, Agent, or Firm* — Lex IP Meister, PLLC

(57) **CLAIM**

The ornamental design for a stability ball case, as shown and described.

DESCRIPTION

FIG. 1 is a perspective view of a stability ball case showing my new design;

FIG. 2 is a front elevational view thereof;

FIG. 3 is a rear elevational view thereof;

FIG. 4 is a left side elevational view thereof;

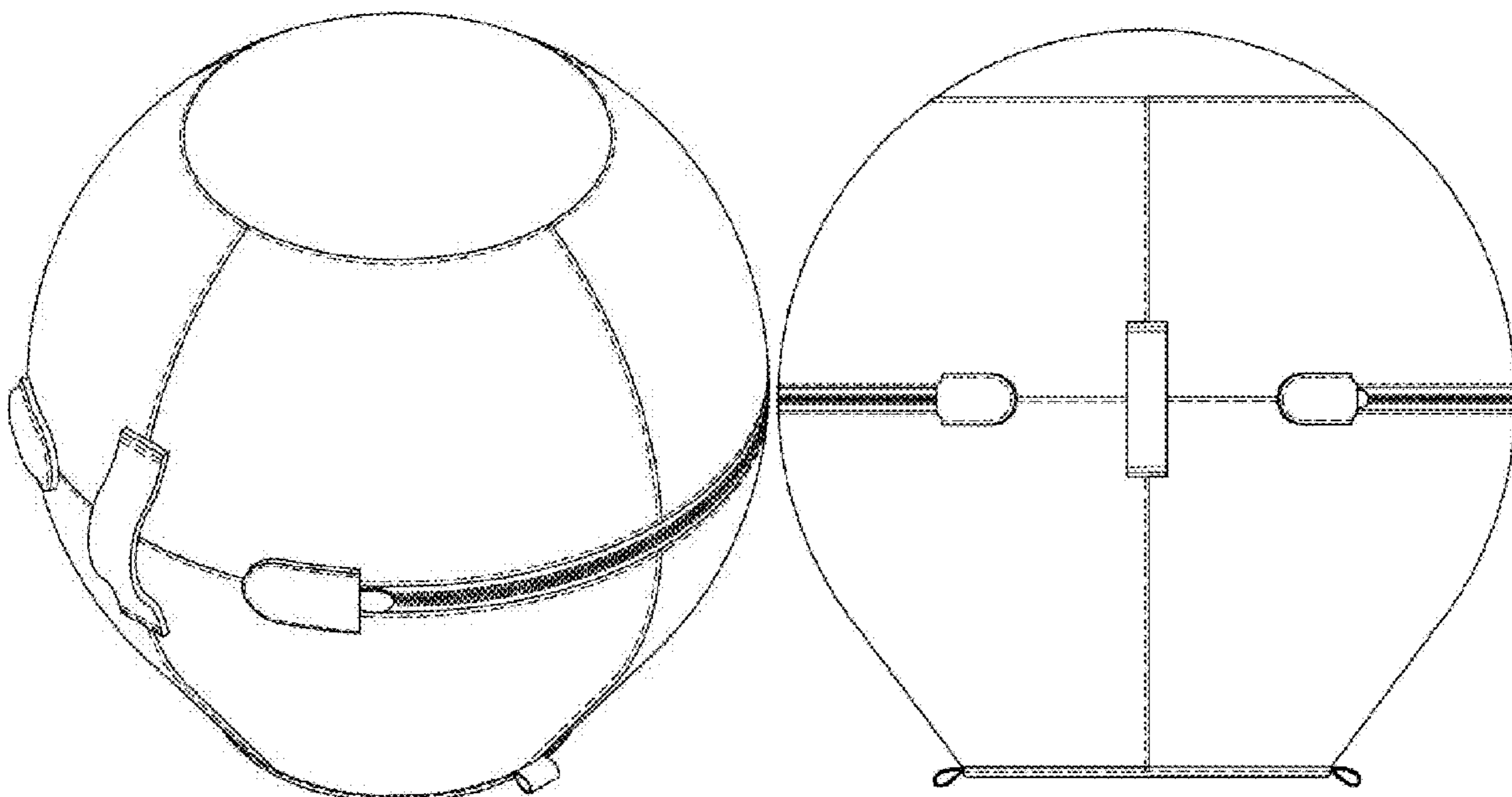
FIG. 5 is a right side elevational view thereof;

FIG. 6 is a top plan view thereof; and,

FIG. 7 is a bottom plan view thereof.

The broken lines on the stability ball case illustrate stitching that forms no part of the claimed design.

1 Claim, 7 Drawing Sheets



(56)

References Cited

OTHER PUBLICATIONS

Stability Ball Chair for Office, announced May 10, 2018 [online], [site visited Mar. 10, 2021], available from internet. URL: <<https://www.amazon.com/Stability-Ball-Chair-Office-Ergonomic/dp/B07VTHFVZ7>> (Year: 2018).*

Guken Sitting Ball Chair with Cover, announced May 20, 2019 [online], [site visited Mar. 10, 2021], available from internet. URL: <<https://www.amazon.com/Guken-Sitting-Exercise-Training-Chocolate/dp/B07Q3GJXS2>> (Year: 2019).*

* cited by examiner

FIG 1

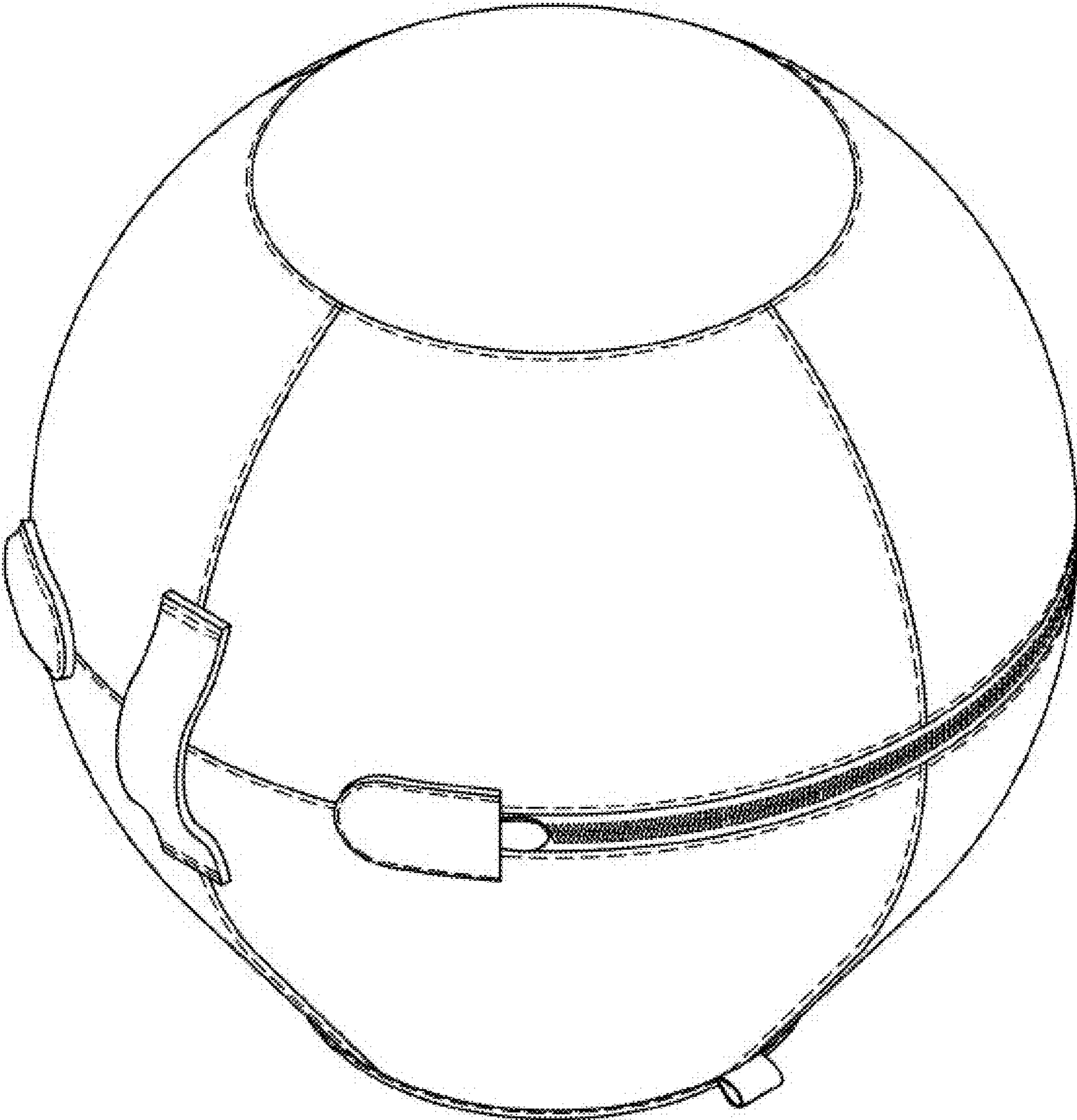


FIG 2

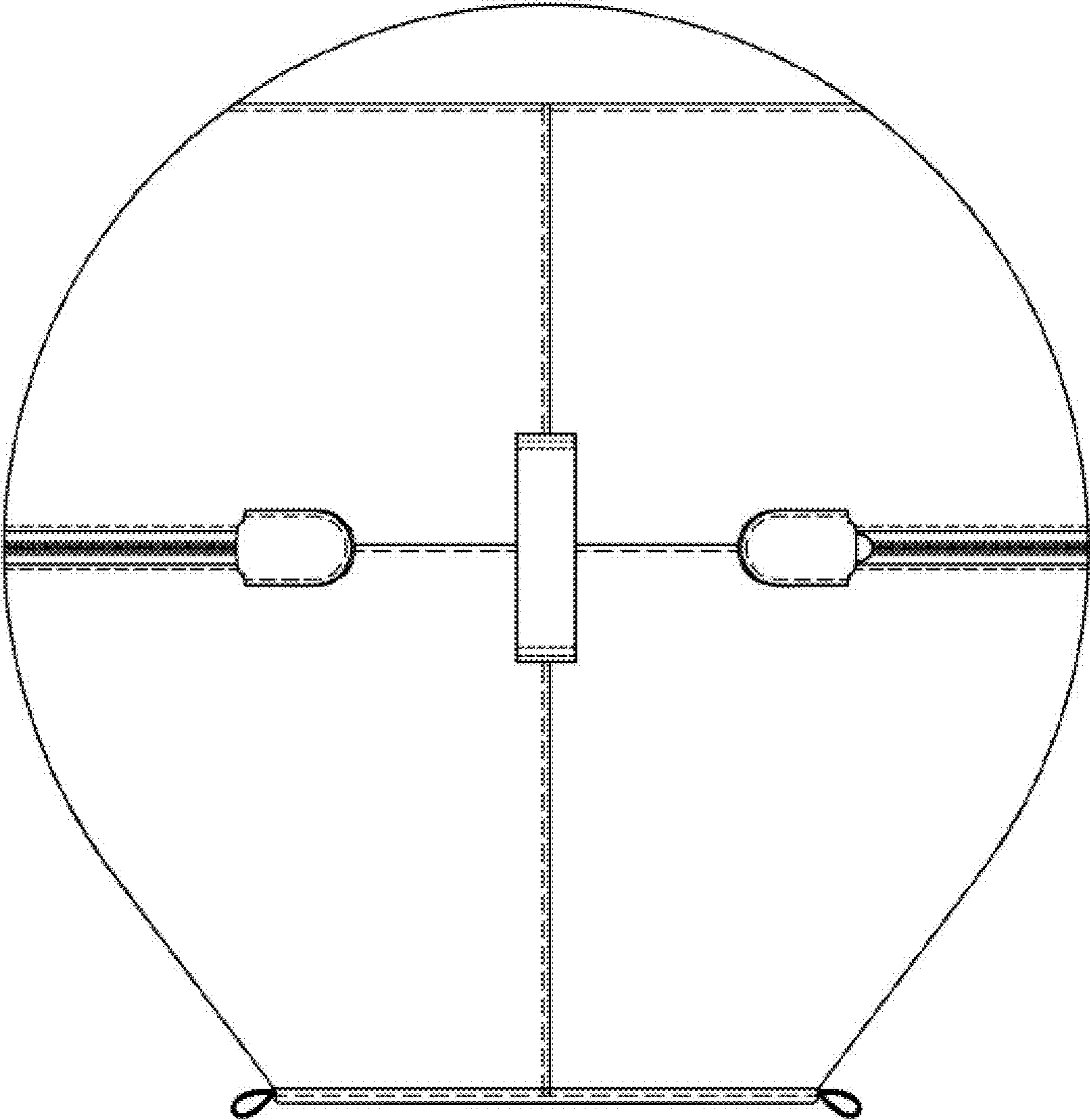


FIG 3

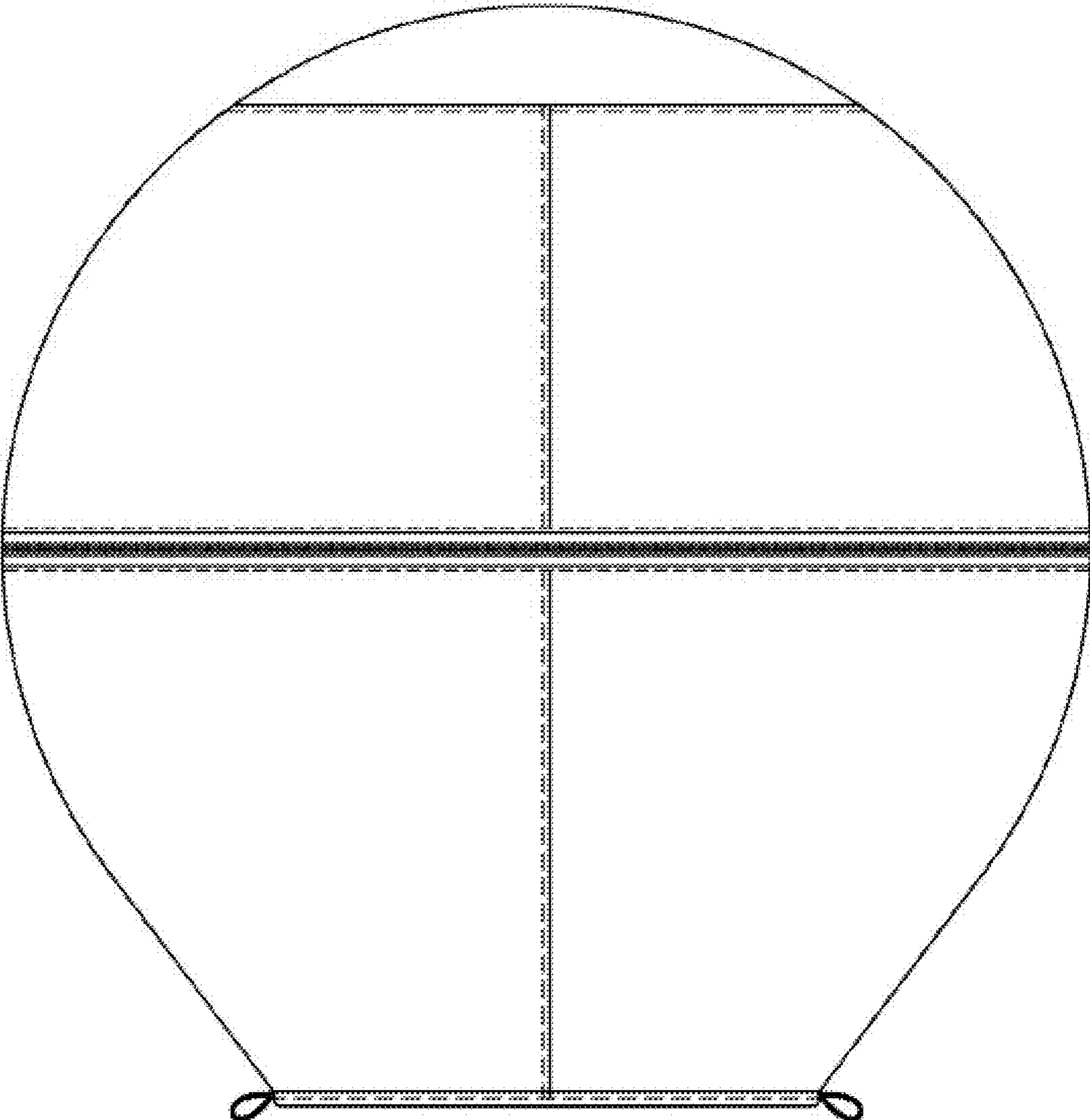


FIG 4

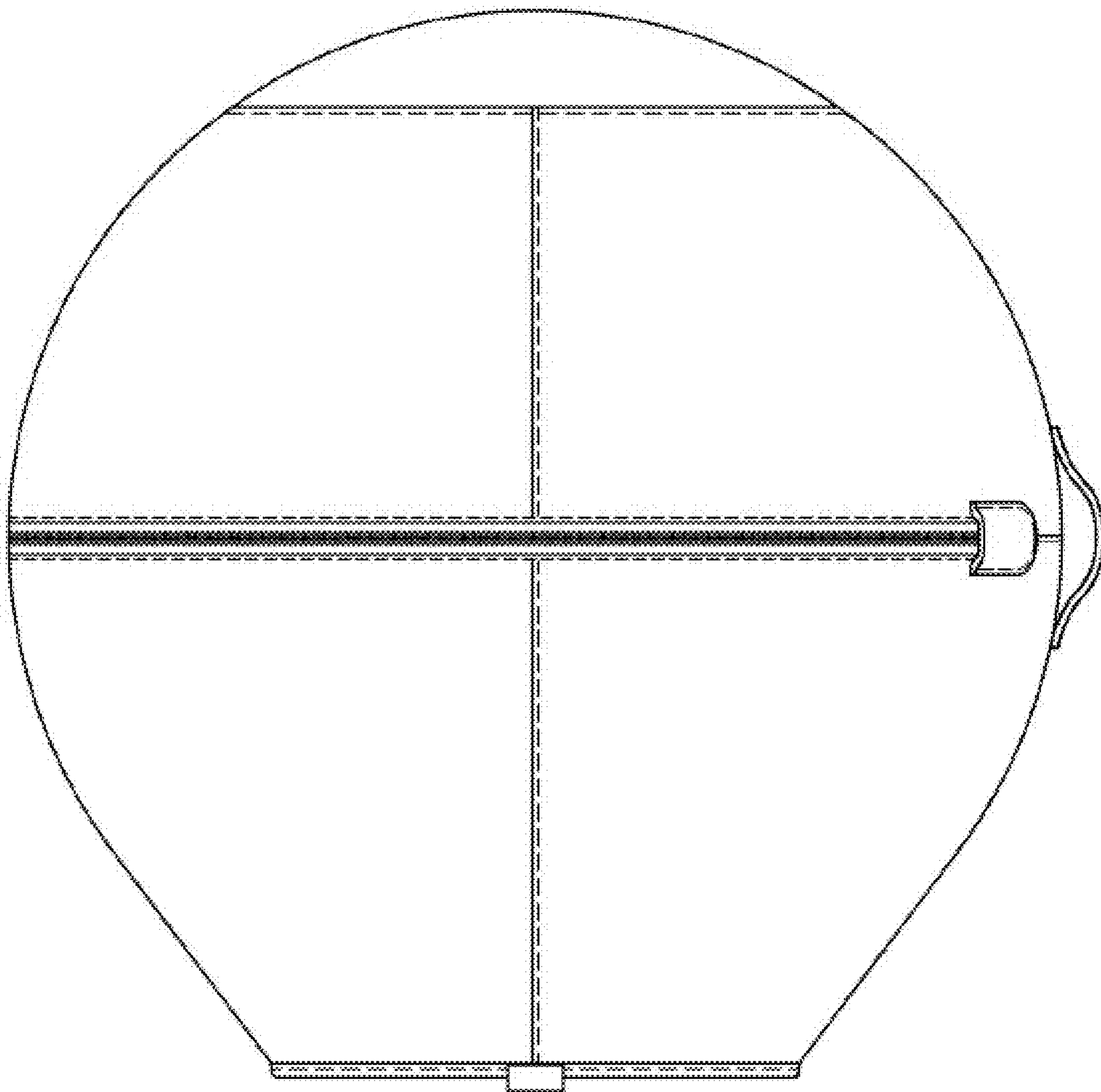


FIG. 5

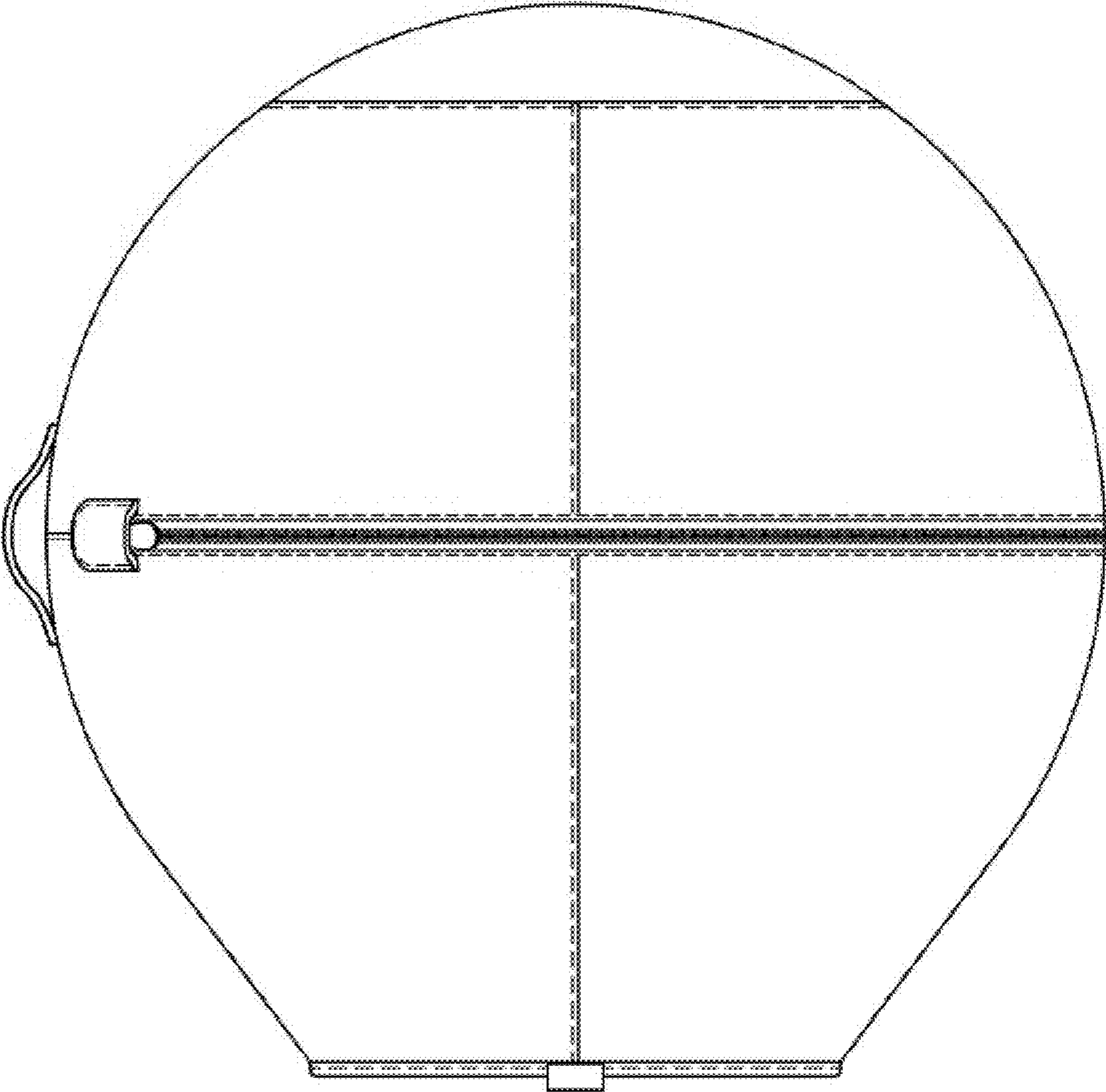


FIG 6

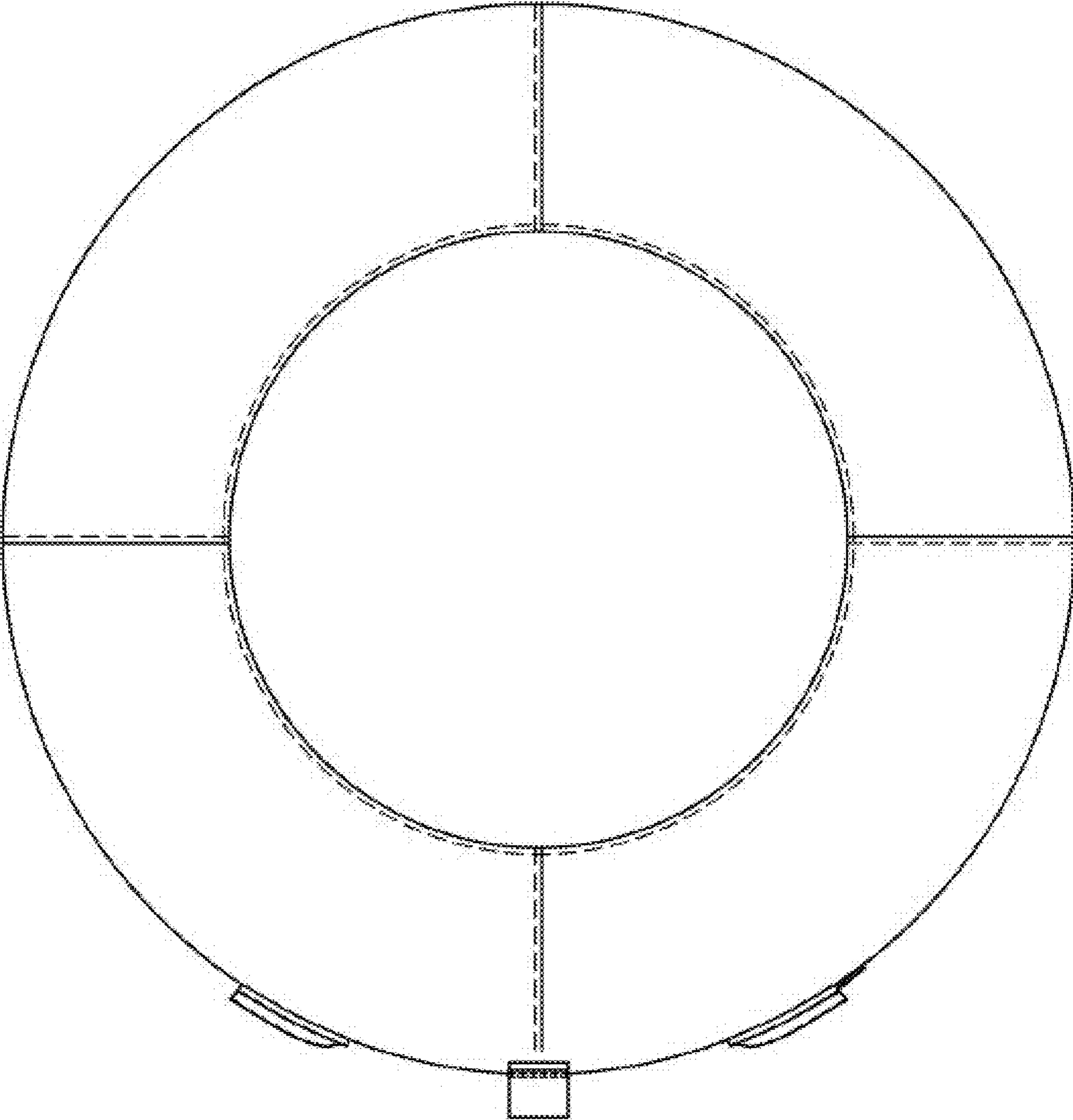


FIG 7

