



US00D929096S

(12) **United States Design Patent**
Kim

(10) **Patent No.:** **US D929,096 S**

(45) **Date of Patent:** **** Aug. 31, 2021**

(54) **SHOE OUTSOLE**

(71) Applicant: **Peacock Apparel Group, Inc.**, New York, NY (US)

(72) Inventor: **Bill Cin Kim**, Alpine, NJ (US)

(73) Assignee: **PEACOCK APPAREL GROUP, INC.**, New York, NY (US)

(**) Term: **15 Years**

(21) Appl. No.: **29/707,697**

(22) Filed: **Sep. 30, 2019**

(51) **LOC (13) Cl.** **02-04**

(52) **U.S. Cl.**
USPC **D2/957; D2/947; D2/951; D2/953; D2/959; D2/960**

(58) **Field of Classification Search**
USPC D2/902, 906, 908, 916, 918, 925, D2/946-962, 977; 36/3 B, 22 R, 24.5, 36/25 R, 28, 32 R, 34 R, 59 C, 67 A, 103
CPC A43B 13/00; A43B 13/02; A43B 13/023; A43B 13/026; A43B 13/04; A43B 13/08; A43B 13/10; A43B 13/12; A43B 13/14; A43B 13/141; A43B 13/143; A43B 13/16; A43B 13/18; A43B 13/181; A43B 13/187; A43B 13/189; A43B 13/20; A43B 13/22; A43B 13/223; A43B 13/24; A43B 13/28; A43B 13/30; A43B 13/32; A43B 13/34; A43B 13/36
See application file for complete search history.

(56) **References Cited**

U.S. PATENT DOCUMENTS

D502,595 S * 3/2005 Sonnergren D2/954
D650,975 S * 12/2011 Menghi D2/939
D667,617 S * 9/2012 Spring D2/954
D672,949 S * 12/2012 Bramani A43B 13/187
D2/952

D808,624 S * 1/2018 He D2/957
D831,319 S * 10/2018 Vasyli D2/960
D834,795 S * 12/2018 Vasyli D2/947
10,165,827 B2 * 1/2019 Smith B29D 35/122
D862,056 S * 10/2019 Wang D2/947
D883,634 S * 5/2020 Xanthos D2/959
D885,028 S * 5/2020 Yu D2/959
D885,714 S * 6/2020 Hardy D2/908
D885,735 S * 6/2020 Hardy D2/959
D891,736 S * 8/2020 Wira B29D 35/122
D2/916
D894,569 S * 9/2020 de Montgolfier D2/957
D897,652 S * 10/2020 Wilkinson D2/960
D904,741 S * 12/2020 Rasmussen D2/957
D905,410 S * 12/2020 Ringholz D2/959
D908,333 S * 1/2021 Ngene D2/957
2011/0067267 A1 * 3/2011 Lubart A43B 13/187
36/88
2013/0152428 A1 * 6/2013 Bishop A43B 13/16
36/103

* cited by examiner

Primary Examiner — T Chase Nelson
(74) *Attorney, Agent, or Firm* — Leason Ellis LLP

(57) **CLAIM**

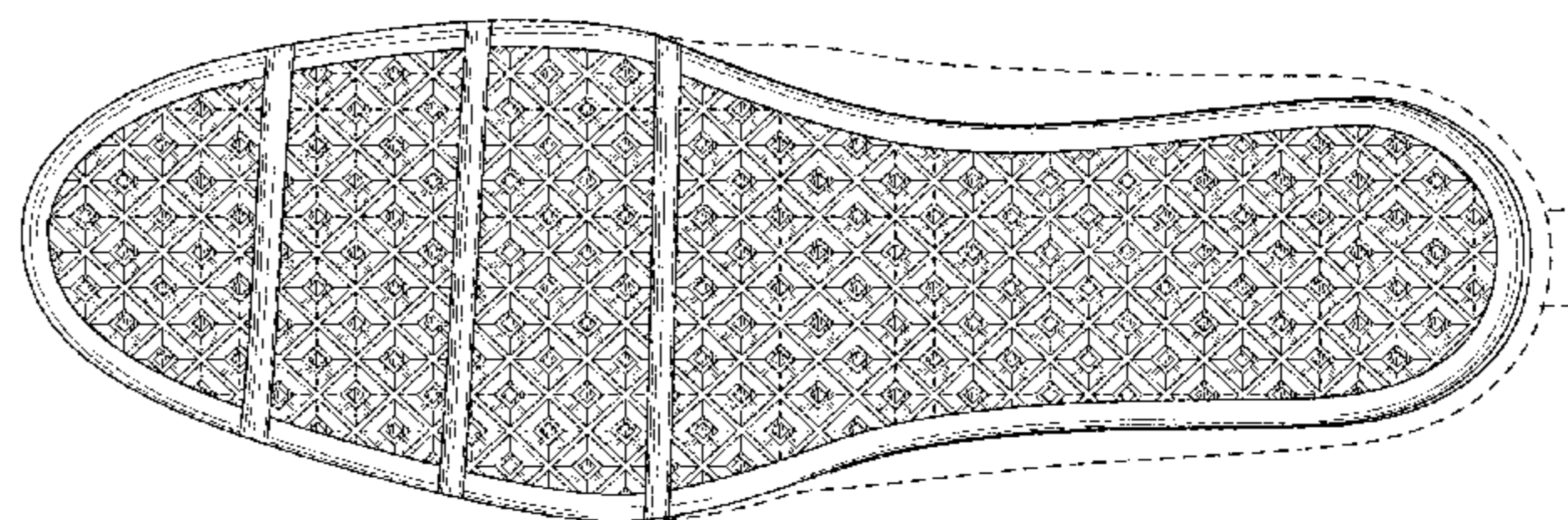
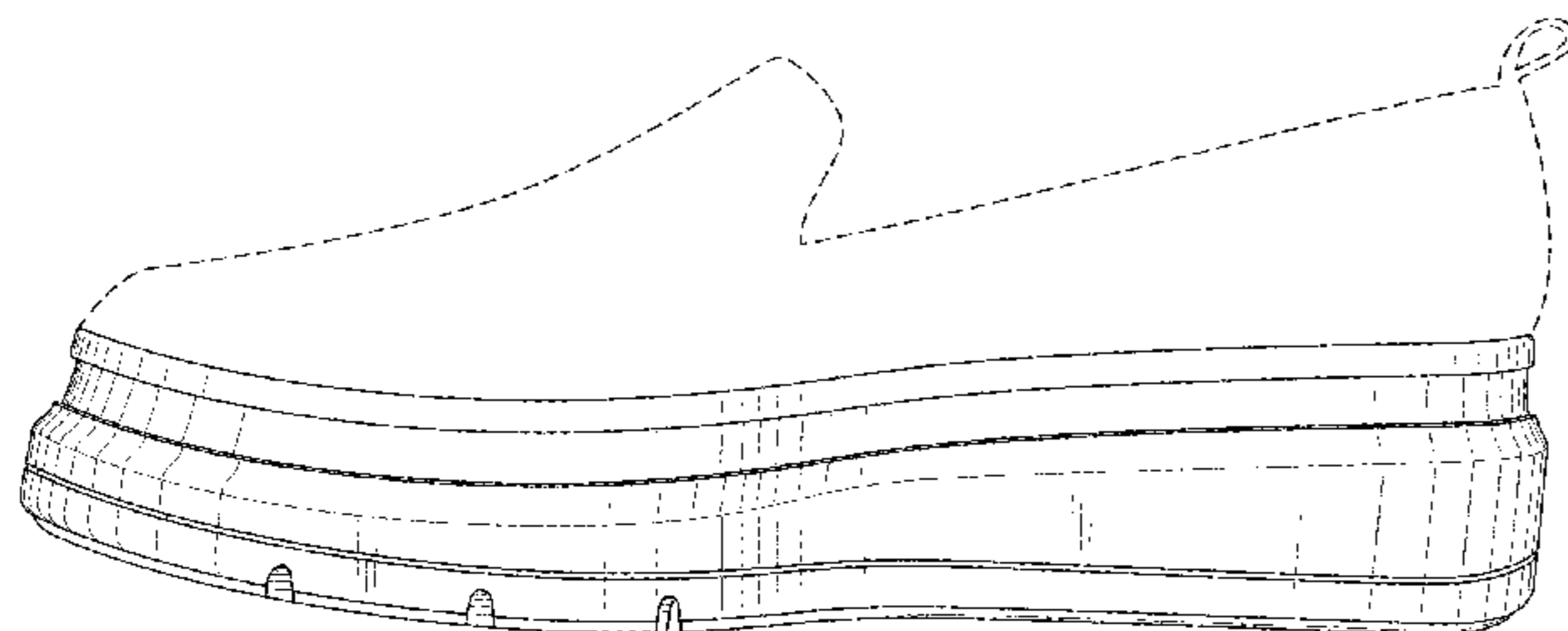
The ornamental design for a shoe outsole, as shown and described.

DESCRIPTION

FIG. 1 is an inner side elevation view of a shoe outsole showing my new ornamental design;
FIG. 2 is an outer side elevation view thereof;
FIG. 3 is a front elevation view thereof;
FIG. 4 is a rear elevation view thereof;
FIG. 5 is a bottom plan view thereof; and,
FIG. 6 is a top plan view thereof.

The broken lines of FIGS. 1-6, showing a shoe upper and footbed, are for illustrative purposes only and form no part of the claimed design.

1 Claim, 5 Drawing Sheets



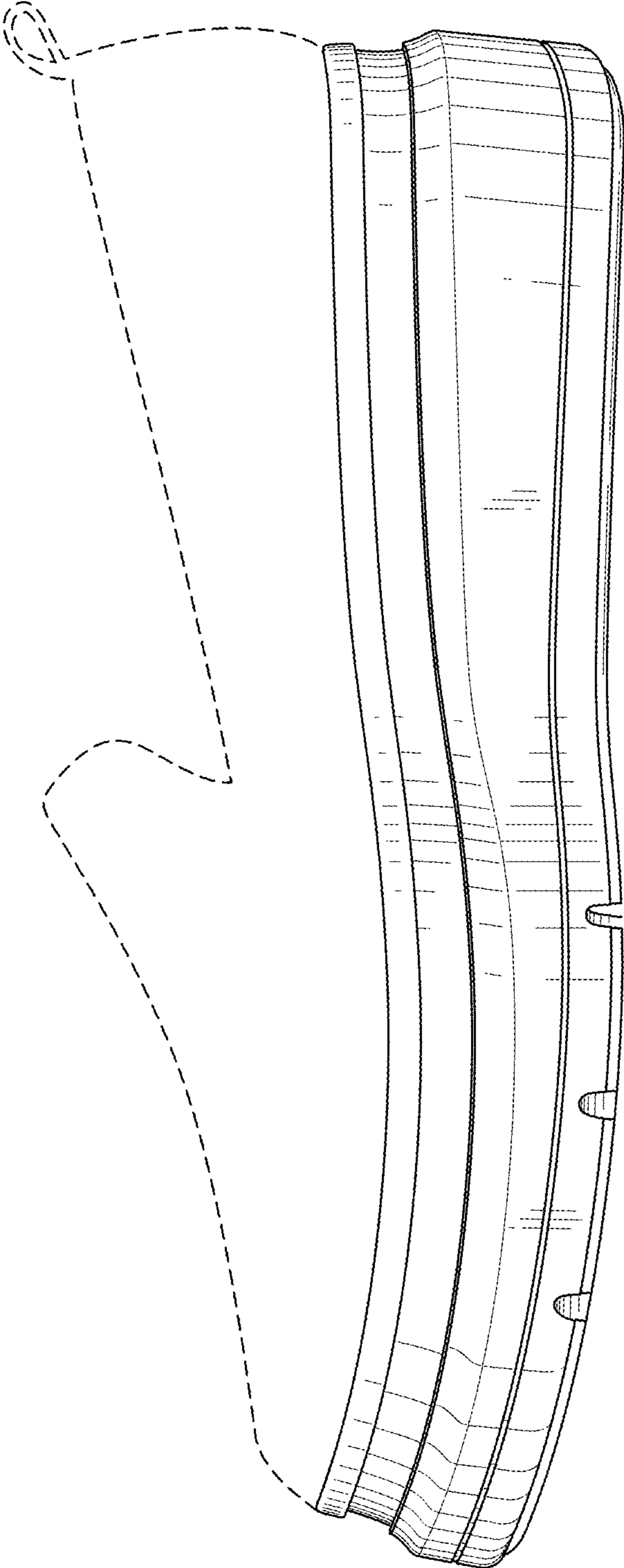


FIG. 1

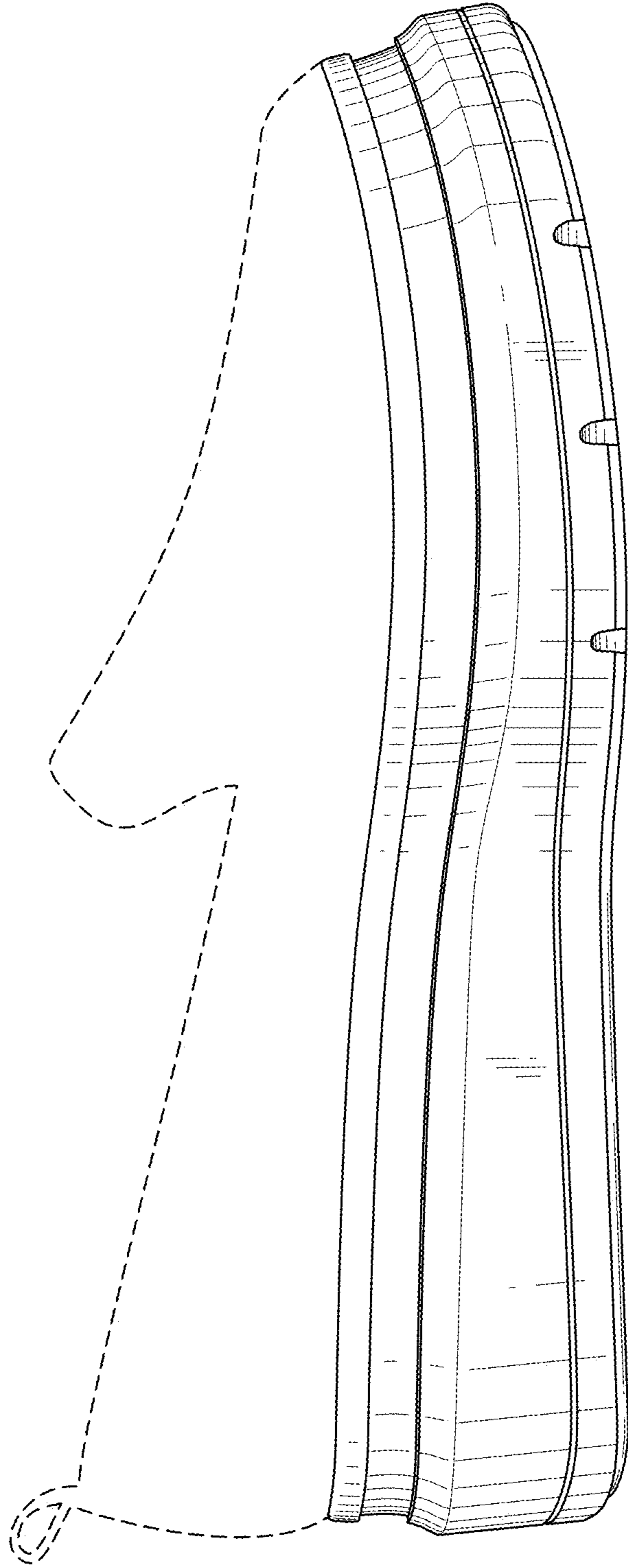


FIG. 2

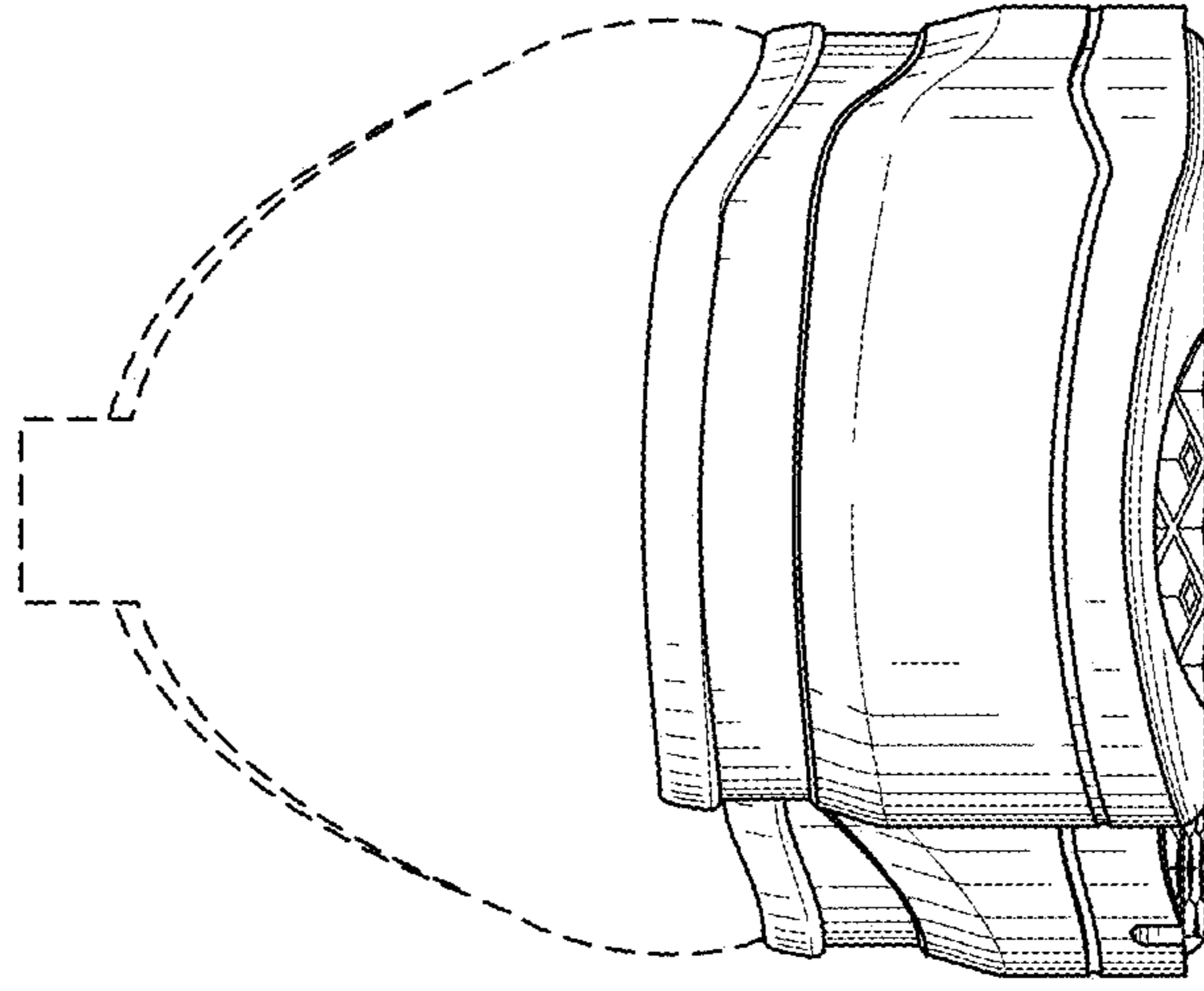


FIG. 4

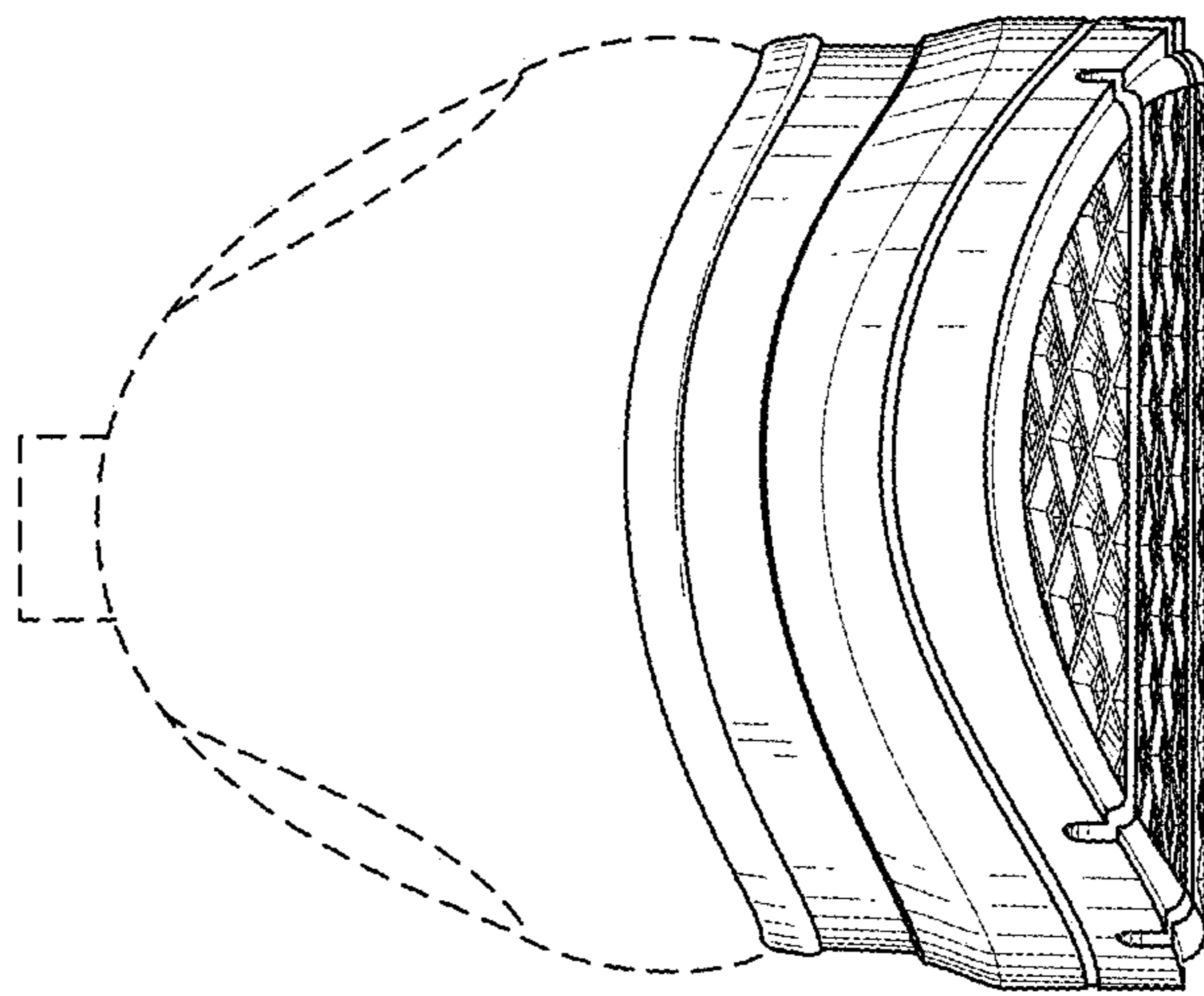


FIG. 3

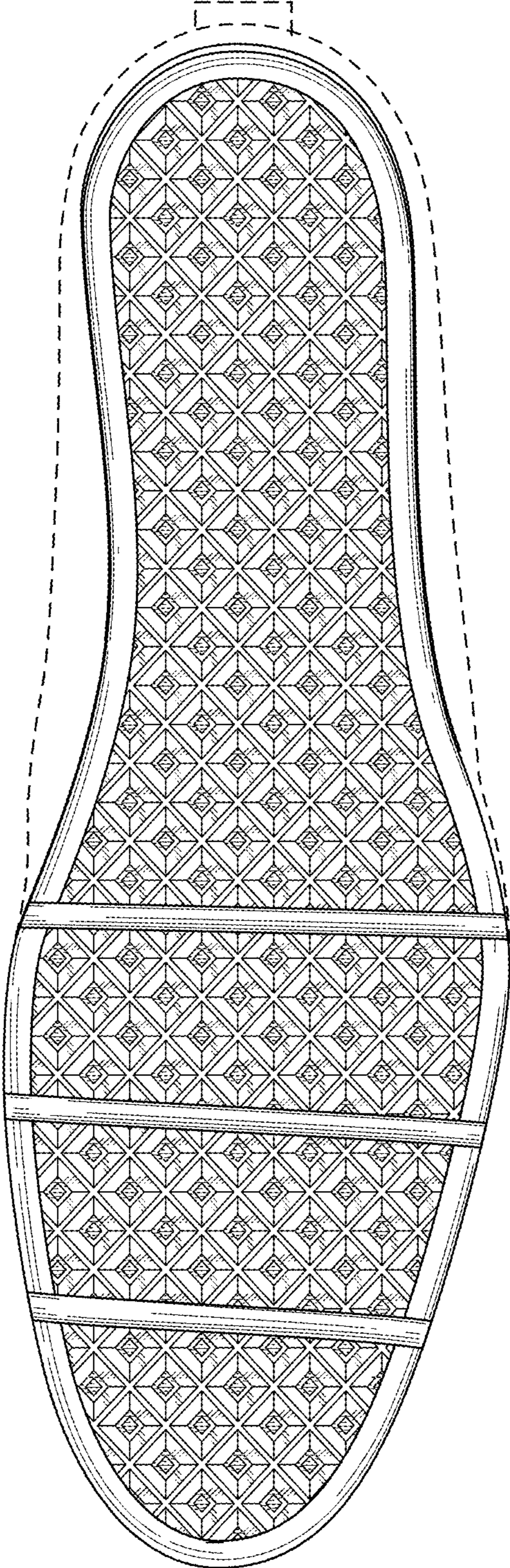


FIG. 5

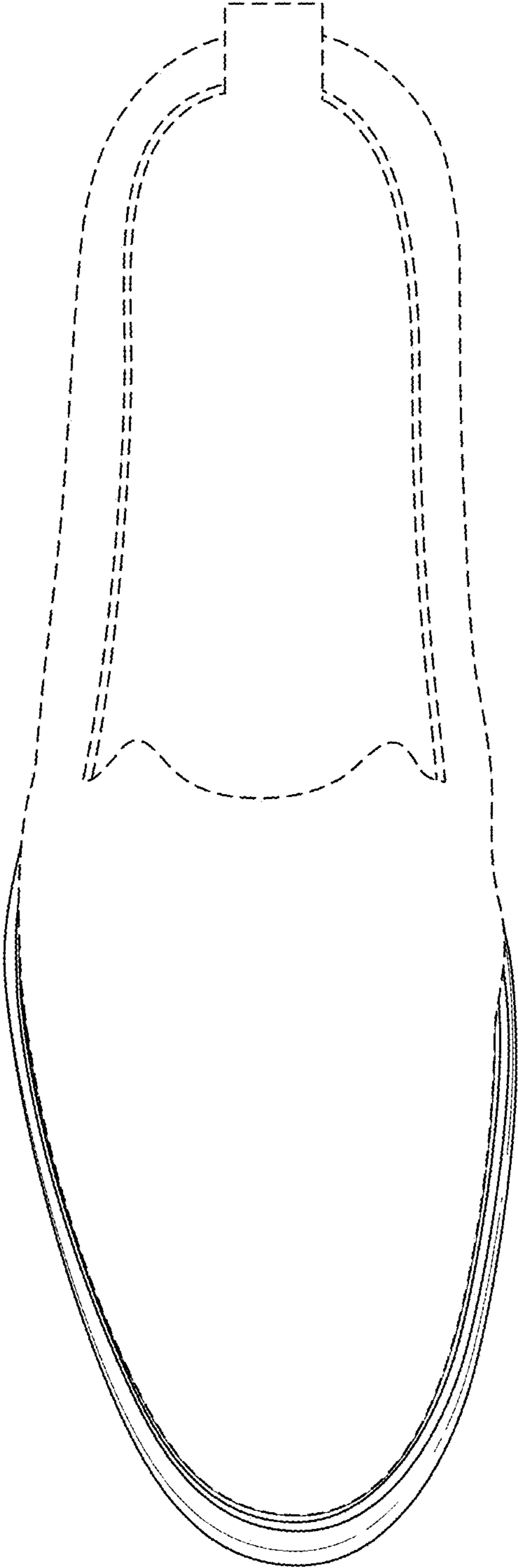


FIG. 6