



US00D929090S

(12) **United States Design Patent**
Yoo

(10) **Patent No.:** **US D929,090 S**

(45) **Date of Patent:** **** Aug. 31, 2021**

- (54) **SHOE MIDSOLE PERIPHERY**
- (71) Applicant: **Skechers U.S.A., Inc. II**, Manhattan Beach, CA (US)
- (72) Inventor: **Jin Seok Yoo**, Los Angeles, CA (US)
- (73) Assignee: **Skechers U.S.A., Inc. II**, Manhattan Beach, CA (US)
- (**) Term: **15 Years**

4,041,618 A *	8/1977	Famolare, Jr.	A43B 13/00 36/25 R
D248,796 S *	8/1978	Famolare, Jr.	D2/950
D257,186 S *	10/1980	Famolare, Jr.	D2/950
D257,701 S *	12/1980	Famolare, Jr.	D2/950
D280,568 S	9/1985	Stubblefield	
4,593,482 A	6/1986	Mayer	
D315,634 S	3/1991	Yung-Mao	
D399,040 S	10/1998	Merceron	
D469,949 S *	2/2003	Koo	D2/952
D503,028 S	3/2005	Merceron	
D505,537 S *	5/2005	Friedman	D2/961
D514,288 S	2/2006	Burg	

(Continued)

- (21) Appl. No.: **29/749,305**
- (22) Filed: **Sep. 4, 2020**
- (51) **LOC (13) Cl.** **02-04**
- (52) **U.S. Cl.**
USPC **D2/947; D2/953**
- (58) **Field of Classification Search**
USPC D2/902, 906, 908, 916, 918, 925,
D2/946-962, 977; 36/3 B, 22 R, 24.5,
36/25 R, 28, 32 R, 34 R, 59 C, 67 A, 103
CPC A43B 13/00; A43B 13/02; A43B 13/023;
A43B 13/026; A43B 13/04; A43B 13/08;
A43B 13/10; A43B 13/12; A43B 13/14;
A43B 13/141; A43B 13/143; A43B
13/16; A43B 13/18; A43B 13/181; A43B
13/187; A43B 13/189; A43B 13/20; A43B
13/22; A43B 13/223; A43B 13/24; A43B
13/28; A43B 13/30; A43B 13/32; A43B
13/34; A43B 13/36
See application file for complete search history.

FOREIGN PATENT DOCUMENTS

CN	202588476 U	12/2012
CN	204105002 U	1/2015

(Continued)

Primary Examiner — T Chase Nelson

(74) *Attorney, Agent, or Firm* — Marshall A. Lerner;
Marvin H. Kleinberg; Kleinberg & Lerner, LLP

(57) **CLAIM**

The ornamental design for a shoe midsole periphery, as shown and described.

DESCRIPTION

FIG. 1 is a perspective view of a shoe midsole periphery in accordance with my new design.

FIG. 2 is a left side elevation view thereof;

FIG. 3 is a right side elevation view thereof;

FIG. 4 is a top plan view thereof;

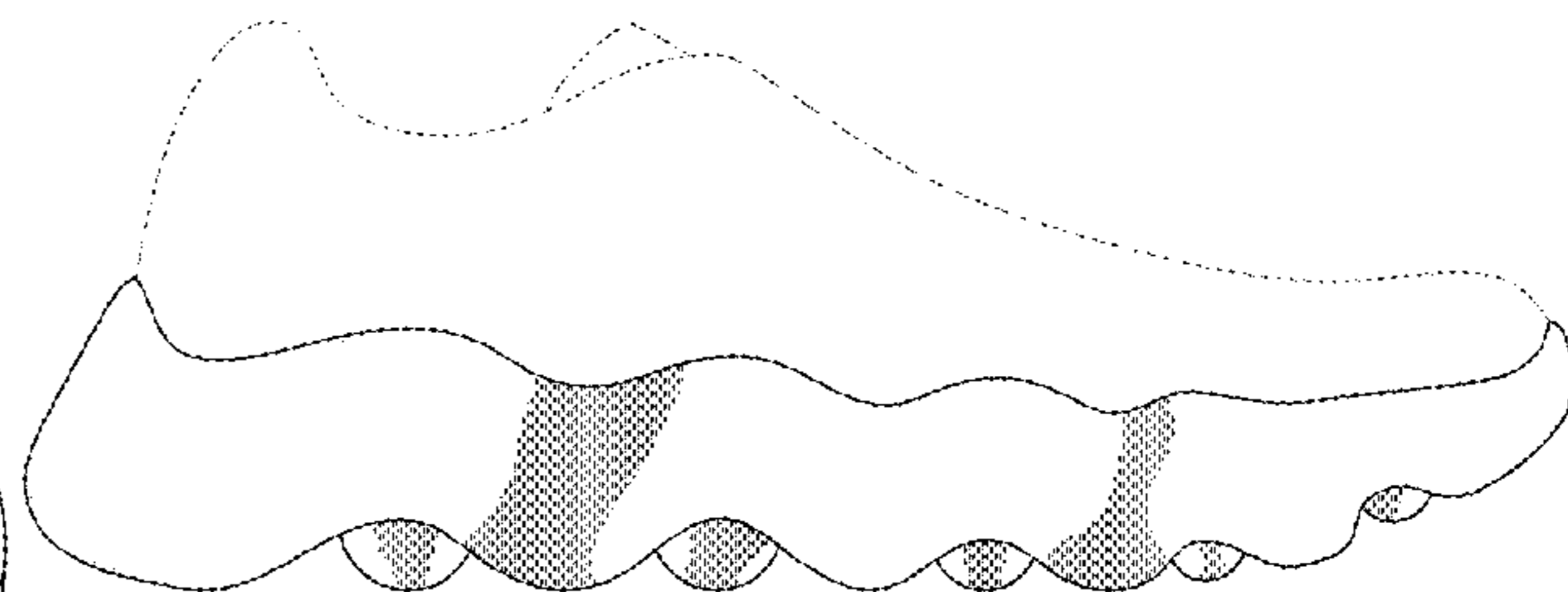
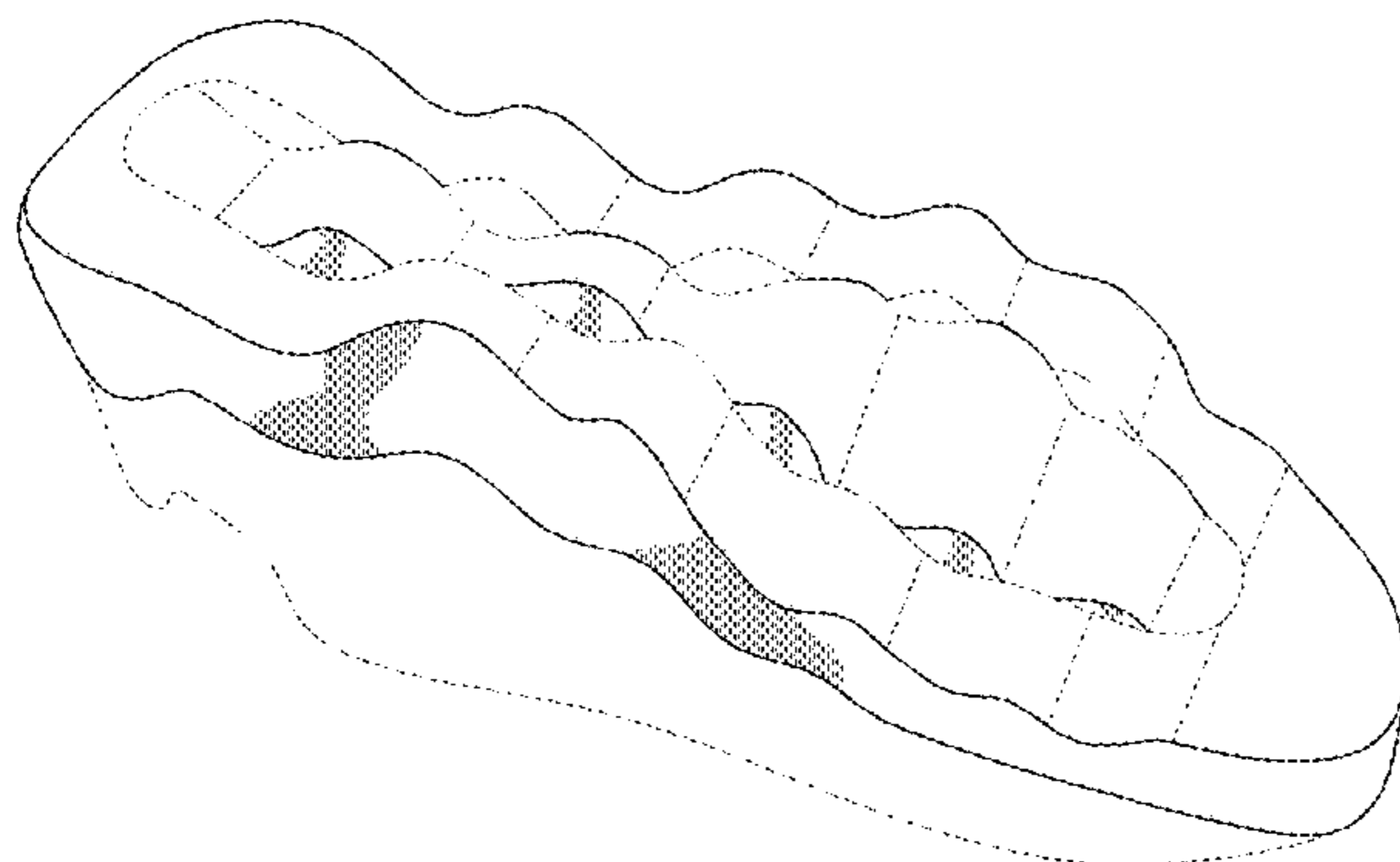
FIG. 5 is a bottom plan view thereof;

FIG. 6 is a front elevation view thereof; and,

FIG. 7 is a rear elevation view thereof.

The broken lines shown in the drawings represent portions of the shoe upper, midsole periphery and outsole bottom that form no part of the claimed design. The surfaces devoid of shading lines are not claimed.

1 Claim, 6 Drawing Sheets



(56)

References Cited

U.S. PATENT DOCUMENTS

D532,190 S 11/2006 Scheurer
 D533,708 S 12/2006 Earle
 D549,933 S * 9/2007 Anderson D2/916
 D606,292 S * 12/2009 Ong D2/947
 7,886,461 B2 2/2011 Sato
 D649,753 S 12/2011 Callahan et al.
 D649,754 S 12/2011 Callahan et al.
 D652,201 S 1/2012 Vestuti et al.
 D655,901 S 3/2012 Raysse
 D660,568 S 5/2012 Blakeslee
 D667,619 S 9/2012 Blakeslee
 D668,028 S 10/2012 Pope
 D674,581 S * 1/2013 Callahan D2/947
 D674,997 S * 1/2013 Callahan D2/947
 8,365,445 B2 2/2013 Sink
 D677,456 S * 3/2013 Knight D2/961
 D682,522 S 5/2013 Raysse
 D684,348 S 6/2013 Castellon
 D691,787 S * 10/2013 Callahan D2/953
 8,590,179 B2 11/2013 Sink
 8,707,587 B2 4/2014 Christensen et al.
 D708,430 S 7/2014 Weeks
 D711,636 S 8/2014 Christensen et al.
 D713,134 S 9/2014 Hardigan et al.
 D714,038 S 9/2014 Portzline
 D716,531 S * 11/2014 Youn D2/947
 8,881,431 B2 11/2014 Sink
 9,015,962 B2 4/2015 Boudreau et al.
 D730,638 S 6/2015 Christensen et al.
 9,392,843 B2 7/2016 Callahan et al.
 D764,782 S 8/2016 Hardigan et al.
 9,433,256 B2 9/2016 Callahan et al.
 9,655,403 B2 3/2017 Farris
 D785,306 S 5/2017 Georgoulakis
 D785,307 S 5/2017 Georgoulakis
 9,717,304 B2 * 8/2017 Bernhard A43B 13/181
 D798,550 S 10/2017 Fudalik
 9,775,403 B2 * 10/2017 Bernhard A43B 13/181
 D804,159 S * 12/2017 Allemann D2/960
 D808,626 S 1/2018 Matsui
 9,872,536 B2 1/2018 Healy et al.
 D809,253 S 2/2018 Brunner
 D813,503 S 3/2018 Brunner
 D813,504 S 3/2018 Brunner
 D814,750 S 4/2018 Granger et al.
 D821,070 S 6/2018 Brunner
 D822,957 S 7/2018 Brunner

D827,265 S 9/2018 Hardigan et al.
 D833,129 S 11/2018 Fudalik
 D848,713 S 5/2019 Blauer
 D858,951 S 9/2019 Luh et al.
 D861,308 S * 10/2019 Chang D2/957
 D861,309 S * 10/2019 Wang D2/957
 D862,056 S * 10/2019 Wang D2/947
 D872,431 S * 1/2020 Petrenka D2/947
 D872,983 S 1/2020 Louboutin
 D873,547 S * 1/2020 Rauner D2/947
 D874,105 S * 2/2020 Rauner D2/947
 D874,106 S * 2/2020 Rauner D2/947
 D874,803 S 2/2020 Spring
 D876,052 S 2/2020 Hartmann
 D882,219 S 4/2020 Hartmann
 D887,118 S 6/2020 Enayah
 D900,444 S * 11/2020 Brunner D2/947
 D901,853 S * 11/2020 Hartmann D2/947
 D901,866 S * 11/2020 Brunner D2/960
 D902,540 S * 11/2020 Hartmann D2/947
 D905,944 S * 12/2020 Heald D2/947
 2001/0052194 A1 * 12/2001 Nishiwaki A43B 13/181
 36/28
 2006/0277792 A1 * 12/2006 Schoenborn A43B 13/181
 36/28
 2008/0289224 A1 * 11/2008 Sink A43B 13/181
 36/103
 2015/0230549 A1 * 8/2015 Bernhard A43B 13/223
 36/25 R
 2018/0009187 A1 * 1/2018 Park B29C 33/22
 2018/0125148 A1 * 5/2018 Elder A43B 13/181
 2018/0255871 A1 * 9/2018 Conway A43B 13/20

FOREIGN PATENT DOCUMENTS

CN 303260616 1/2015
 CN 303163420 4/2015
 CN 303555361 1/2016
 CN 303574900 2/2016
 CN 205696000 U 11/2016
 CN 304259027 8/2017
 CN 304267710 9/2017
 CN 108936952 A 12/2018
 CN 305242283 7/2019
 JP D1644952 10/2019
 WO WO 92/14372 11/2014
 WO WO 2014/180211 A1 11/2014
 WO WO D201566-001 4/2019
 WO WO D201566-002 4/2019

* cited by examiner

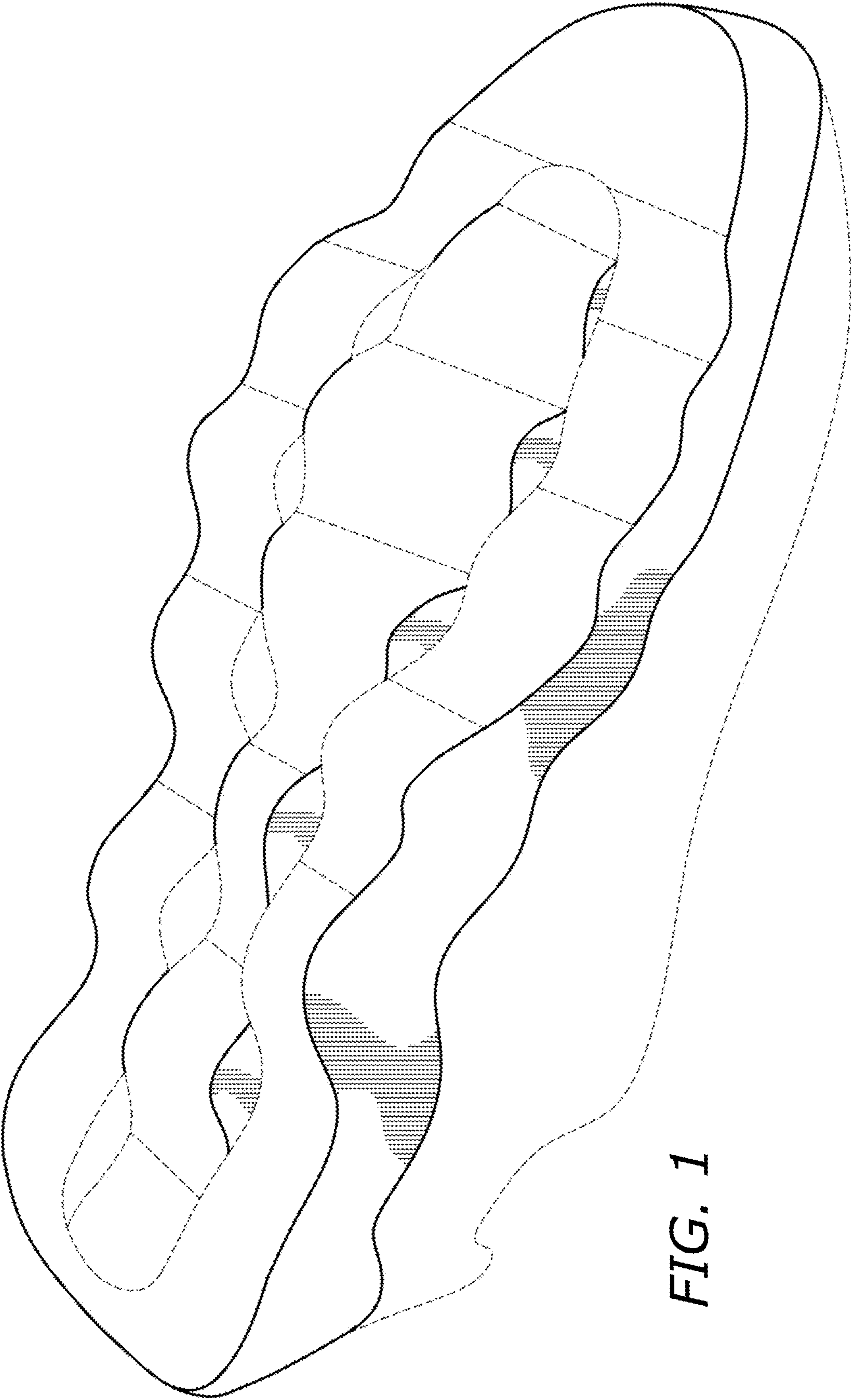
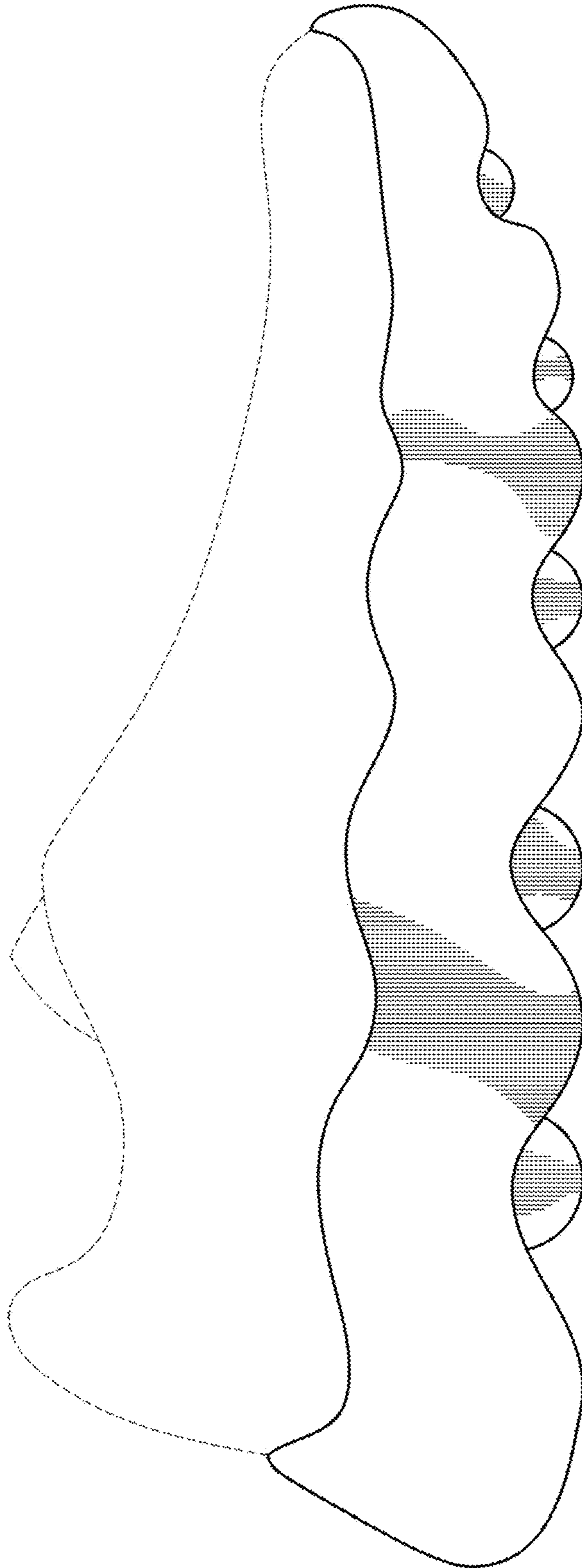


FIG. 1

FIG. 2



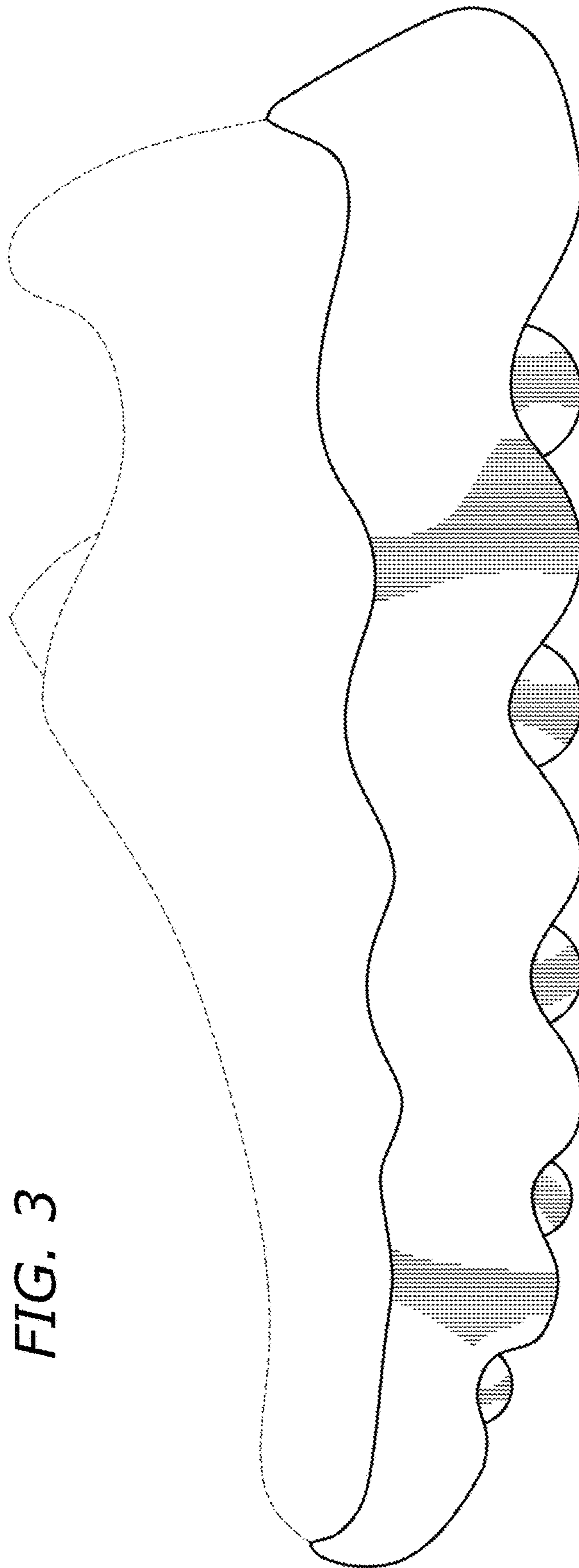


FIG. 3

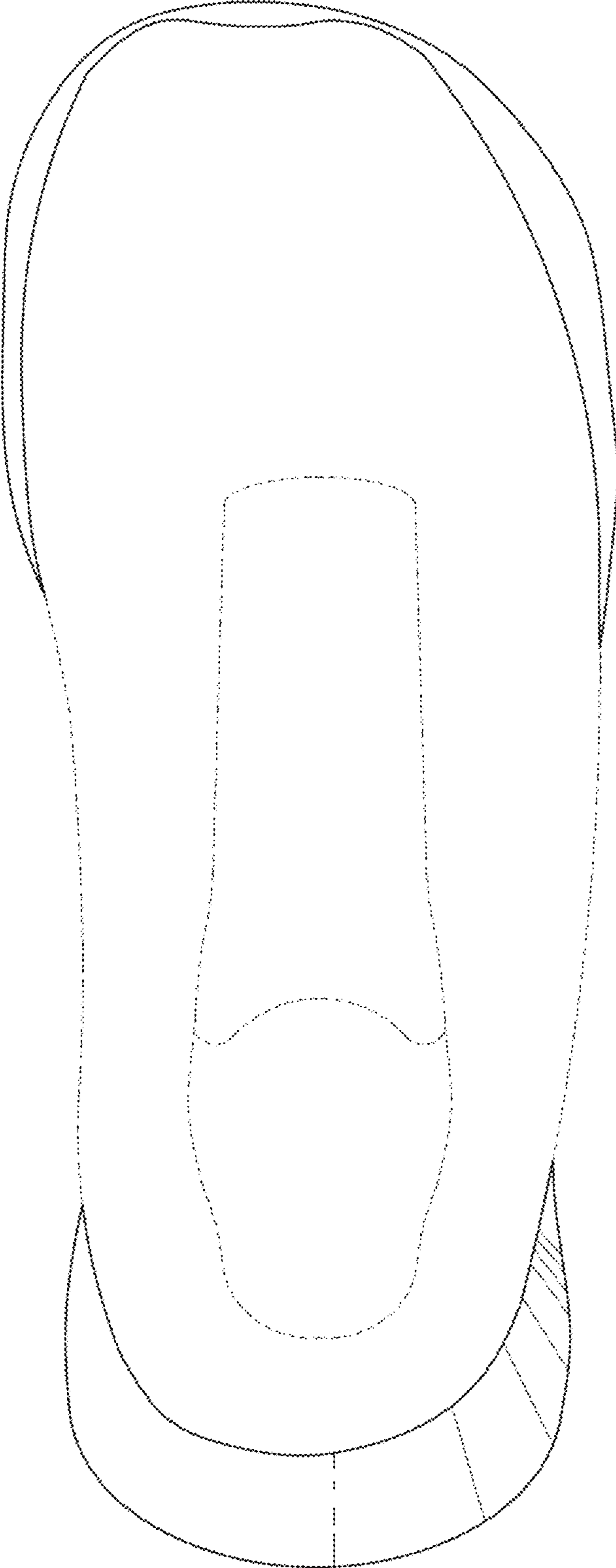


FIG. 4

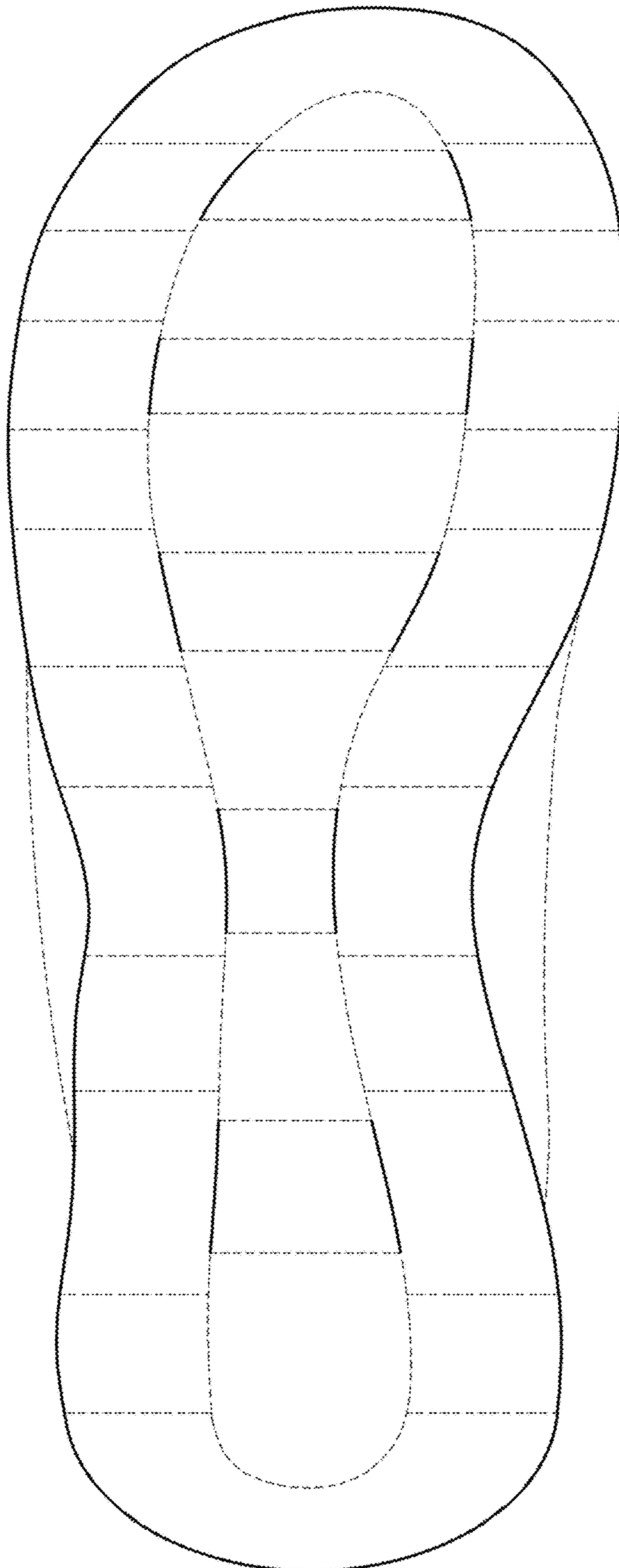


FIG. 5

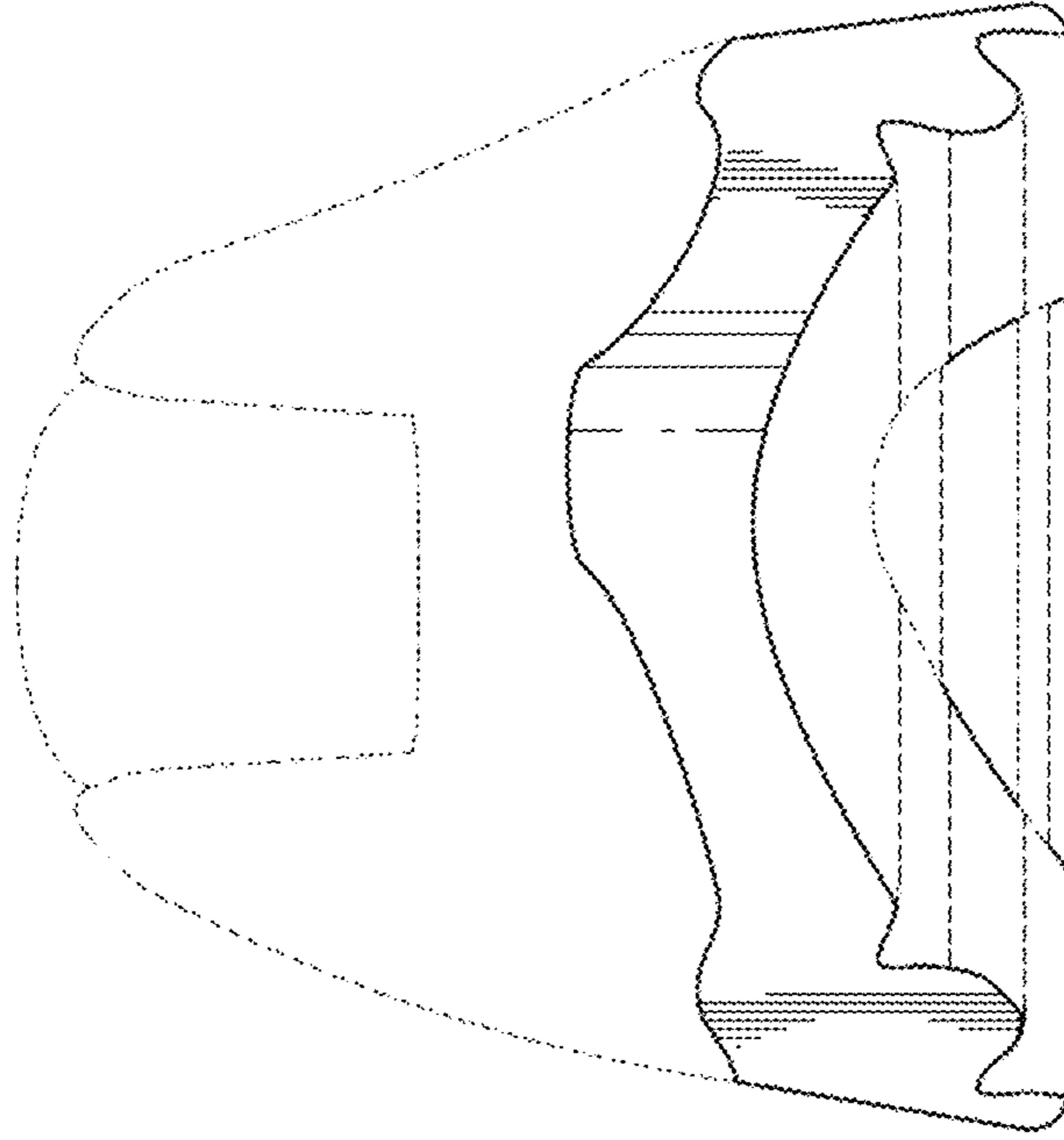


FIG. 6

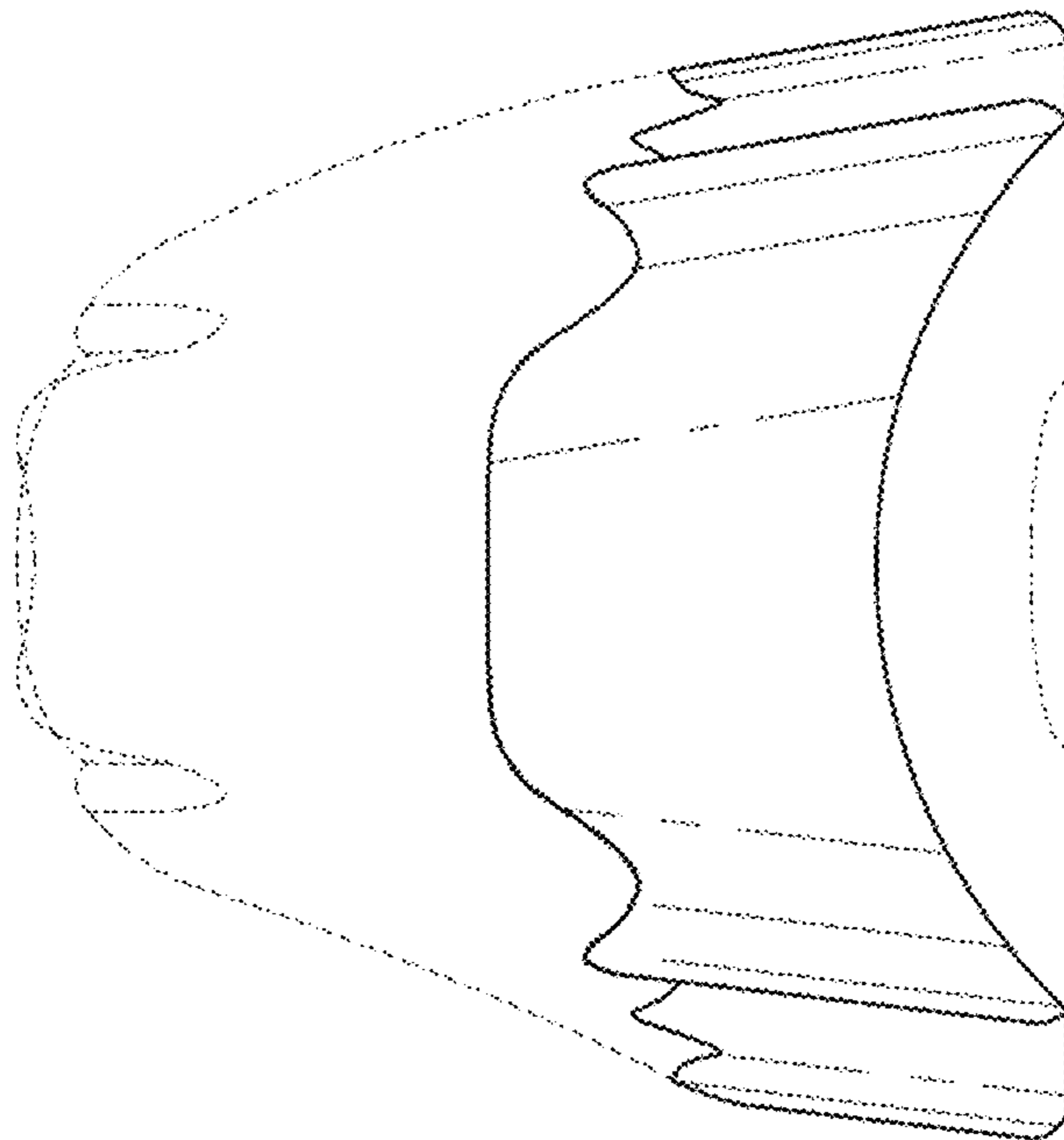


FIG. 7