



US00D929083S

(12) **United States Design Patent**
Kerr et al.

(10) **Patent No.:** **US D929,083 S**
(45) **Date of Patent:** **** Aug. 31, 2021**

(54) **SHOE**

(71) Applicant: **The Brand Agency Ltd.**, Hong Kong (CH)

(72) Inventors: **Benjamin F. Kerr**, Hong Kong (CN);
Damon Butler, Portland, OR (US)

(73) Assignee: **MDREAMS IP HOLDINGS LIMITED**, North Point (HK)

(**) Term: **15 Years**

(21) Appl. No.: **29/701,662**

(22) Filed: **Aug. 13, 2019**

(51) **LOC (13) Cl.** **02-04**

(52) **U.S. Cl.**
USPC **D2/947**

(58) **Field of Classification Search**
USPC D2/902, 906, 908, 916, 918, 925,
D2/946-962, 977; 36/1, 1.5, 3 B, 22 R,
36/24.5, 25 R, 28, 32 R, 34 R, 59 C,
36/67 A, 101-107, 114-116, 117.3, 117.4,
36/124-136
CPC A43B 13/00; A43B 13/02; A43B 13/023;
A43B 13/026; A43B 13/04; A43B 13/08;
A43B 13/10; A43B 13/12; A43B 13/14;
A43B 13/141; A43B 13/143; A43B
13/16; A43B 13/18; A43B 13/181; A43B
13/187; A43B 13/189; A43B 13/20; A43B
13/22; A43B 13/223; A43B 13/24; A43B
13/28; A43B 13/30; A43B 13/32; A43B
13/34; A43B 13/36

See application file for complete search history.

(56) **References Cited**

U.S. PATENT DOCUMENTS

616,112 A 12/1898 Kennedy
4,078,321 A 3/1978 Famolare

4,438,573 A 3/1984 McBarron
4,910,882 A 3/1990 Göller
4,939,851 A 7/1990 Miller
5,327,620 A * 7/1994 Chen 24/68 SK
5,400,526 A 3/1995 Sessa
D365,919 S * 1/1996 Chen D2/904
5,491,911 A * 2/1996 Chen 36/89
6,014,821 A 1/2000 Yaw
6,076,282 A 6/2000 Brue
6,701,640 B2 3/2004 Nakano
D499,541 S * 12/2004 Dolan D2/977

(Continued)

OTHER PUBLICATIONS

CAMEL Men's Sandals Genuine Leather Sport Open Toes Sandals Casual Elastic Beach Slippers for Summer, Amzaon.com, Date First Available, Jan. 10, 2019, [online], [site visited Oct. 30, 2020], <URL: https://www.amazon.com/CAMEL-Sandals-Genuine-Leather-Slippers/dp/B07MJPGBBX?th=1> (Year: 2019).*

(Continued)

Primary Examiner — T Chase Nelson
Assistant Examiner — Jonathan J Han
(74) *Attorney, Agent, or Firm* — Cozen O'Connor

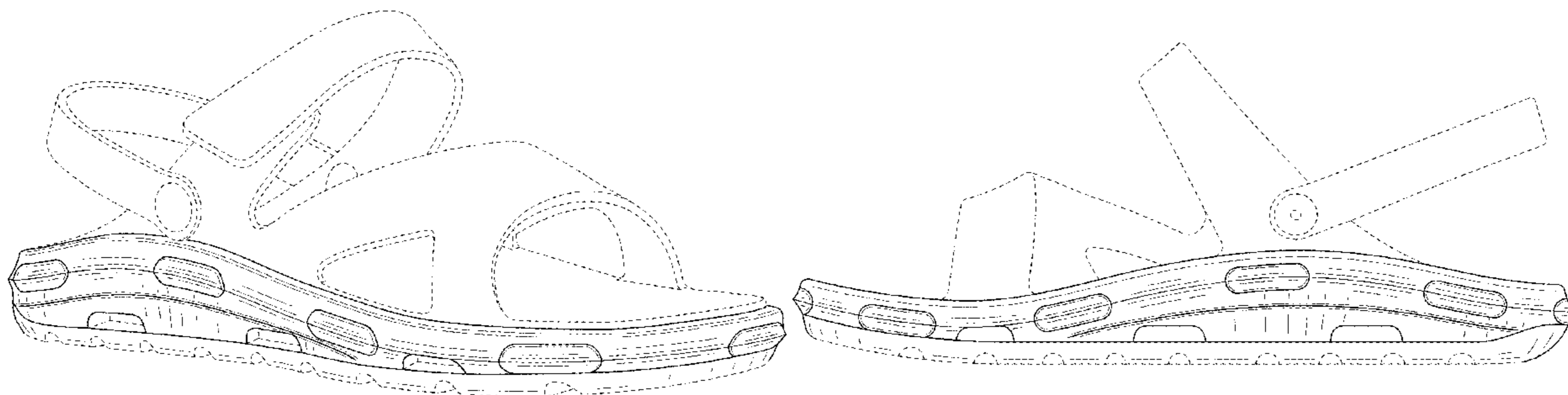
(57) **CLAIM**

The ornamental design for a shoe, as shown and described.

DESCRIPTION

FIG. 1 is a right-side perspective view of a shoe in accordance with the design;
FIG. 2 is a front view of the shoe of FIG. 1;
FIG. 3 is a rear view of the shoe of FIG. 1;
FIG. 4 is a right side view of the shoe of FIG. 1;
FIG. 5 is a left side view of the shoe of FIG. 1;
FIG. 6 is a top view of the shoe of FIG. 1; and
FIG. 7 is a bottom view of the shoe of FIG. 1.
The broken lines show portions of the shoe that form no part of the claimed design.

1 Claim, 6 Drawing Sheets



(56)

References Cited

U.S. PATENT DOCUMENTS

D534,345 S * 1/2007 Dojan D2/977
 D534,346 S * 1/2007 Dojan D2/977
 D545,534 S * 7/2007 McClaskie D2/953
 7,367,142 B2 5/2008 Ferniani et al.
 D571,547 S * 6/2008 Yang D2/969
 D575,499 S * 8/2008 Seamans D2/972
 D592,383 S * 5/2009 Wawrousek D2/902
 D594,636 S * 6/2009 Del Biondi D2/896
 D599,538 S * 9/2009 del Biondi D2/902
 D609,441 S * 2/2010 Wawrousek D2/957
 7,748,141 B2 7/2010 Smith et al.
 D621,596 S * 8/2010 Seilles D2/969
 D641,964 S * 7/2011 Schwartz D2/969
 D642,775 S * 8/2011 Raysse D2/946
 8,015,729 B2 9/2011 Mizrahi Shapiro
 D659,956 S 5/2012 Huynh
 D660,557 S 5/2012 Huynh
 D660,558 S 5/2012 Huynh
 D668,845 S 10/2012 Huynh
 D695,505 S * 12/2013 Hansen D2/960
 D699,420 S * 2/2014 Teteriatnikov D2/947
 D702,430 S * 4/2014 Nascimento D2/959
 8,776,396 B2 7/2014 Huyhn
 D728,205 S * 5/2015 Weddle D2/906

D728,910 S * 5/2015 Hansen D2/953
 D733,411 S * 7/2015 Lonigan D2/947
 D733,412 S * 7/2015 Lonigan D2/947
 D733,413 S * 7/2015 Joseph D2/947
 D734,006 S * 7/2015 Portzline D2/947
 D734,930 S * 7/2015 Bikowski D2/957
 D754,956 S * 5/2016 McCourt D2/947
 D768,365 S * 10/2016 Thompson D2/923
 D811,701 S * 3/2018 Tæstensen D2/907
 D865,342 S * 11/2019 Owens D2/947
 D867,735 S * 11/2019 Owens D2/951
 D887,689 S * 6/2020 Bove D2/947
 D896,492 S * 9/2020 Dombrow D2/957
 2002/0007568 A1 1/2002 Kellerman et al.
 2003/0182820 A1* 10/2003 Fuerst 36/11.5
 2008/0178496 A1 7/2008 Lin et al.

OTHER PUBLICATIONS

Camel Crown Men Leather Sandals Open Toe for Outdoor Hiking Walking Beach Sports Fisherman Strap Sandal | Summer Waterproof, Amazon.com, Date First Available: Mar. 31, 2020, [online], [site visited Oct. 30, 2020], <URL: https://www.amazon.com/dp/B0832HYCFR/ref=sspa_dk_detail_2?psc=1&pd> (Year: 2020).*

* cited by examiner

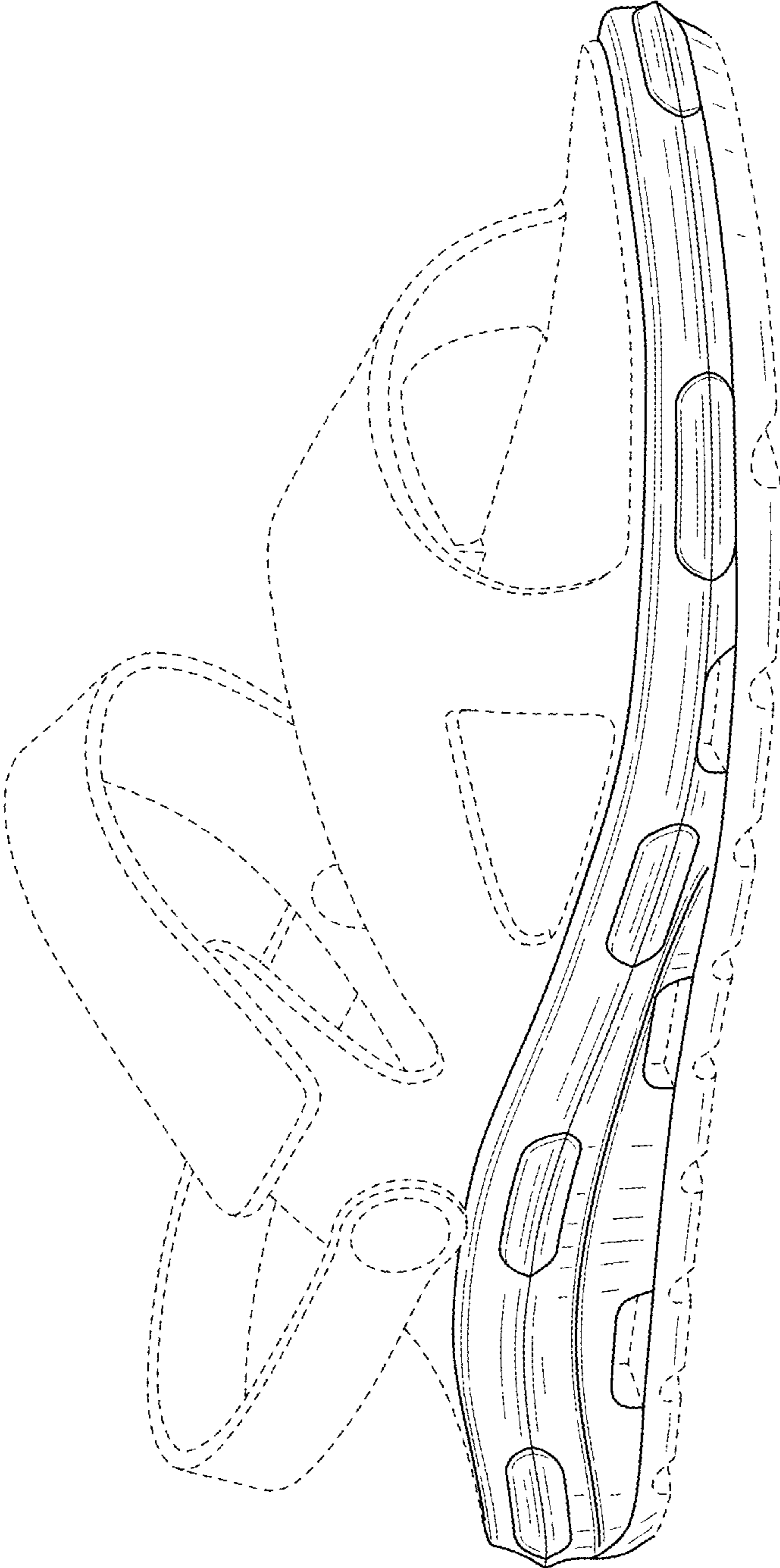


FIG. 1

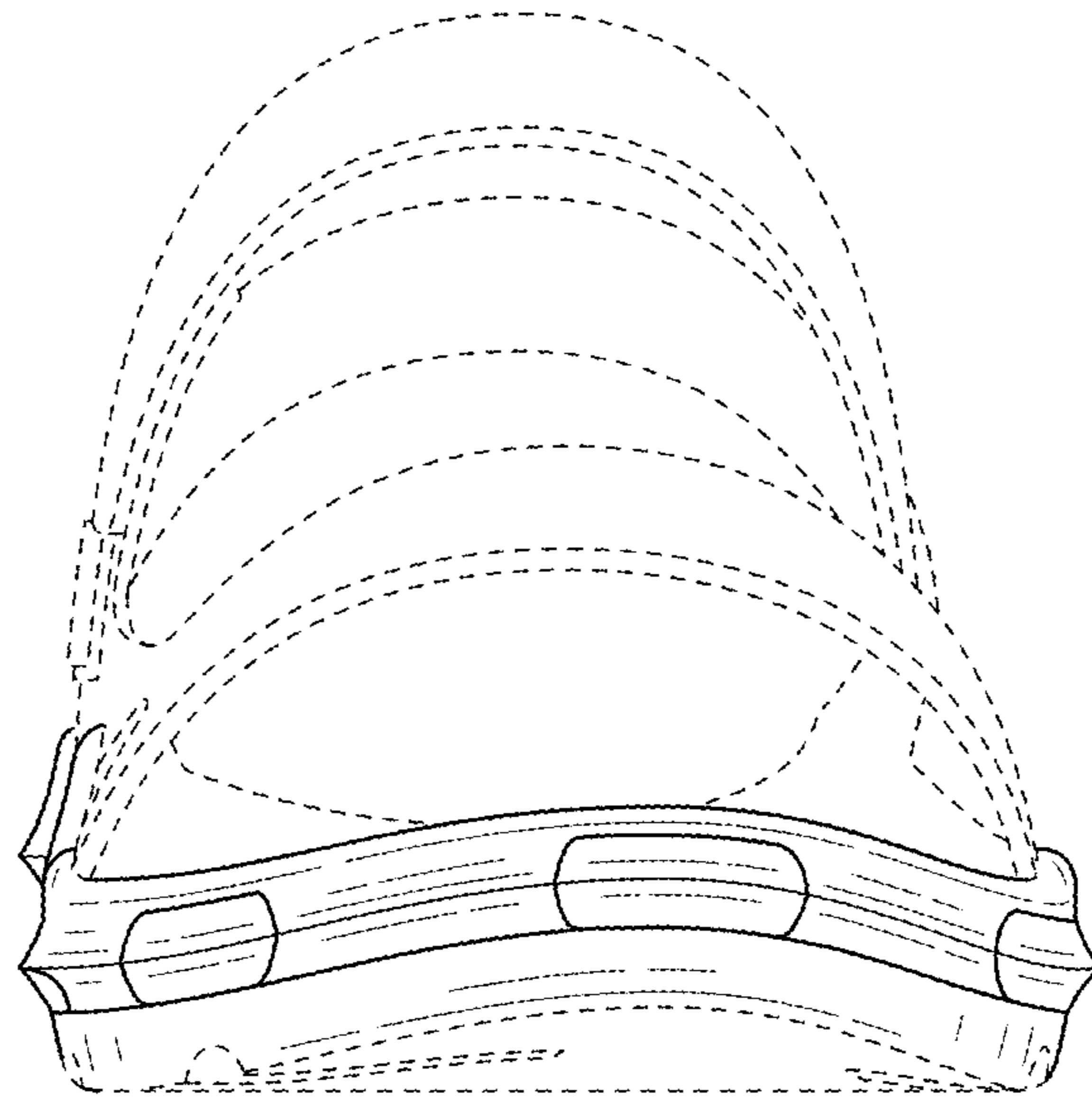


FIG. 2

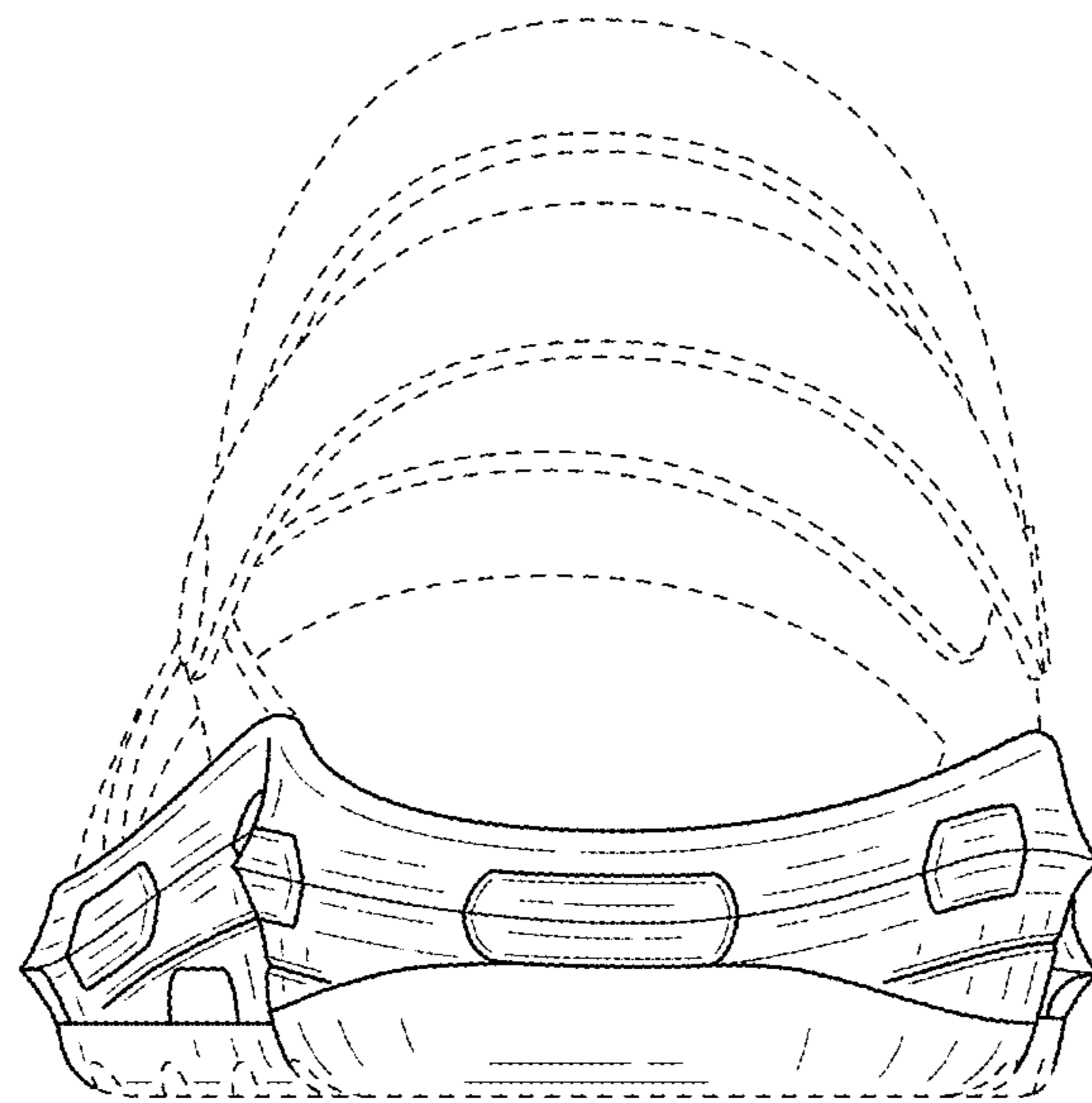


FIG. 3

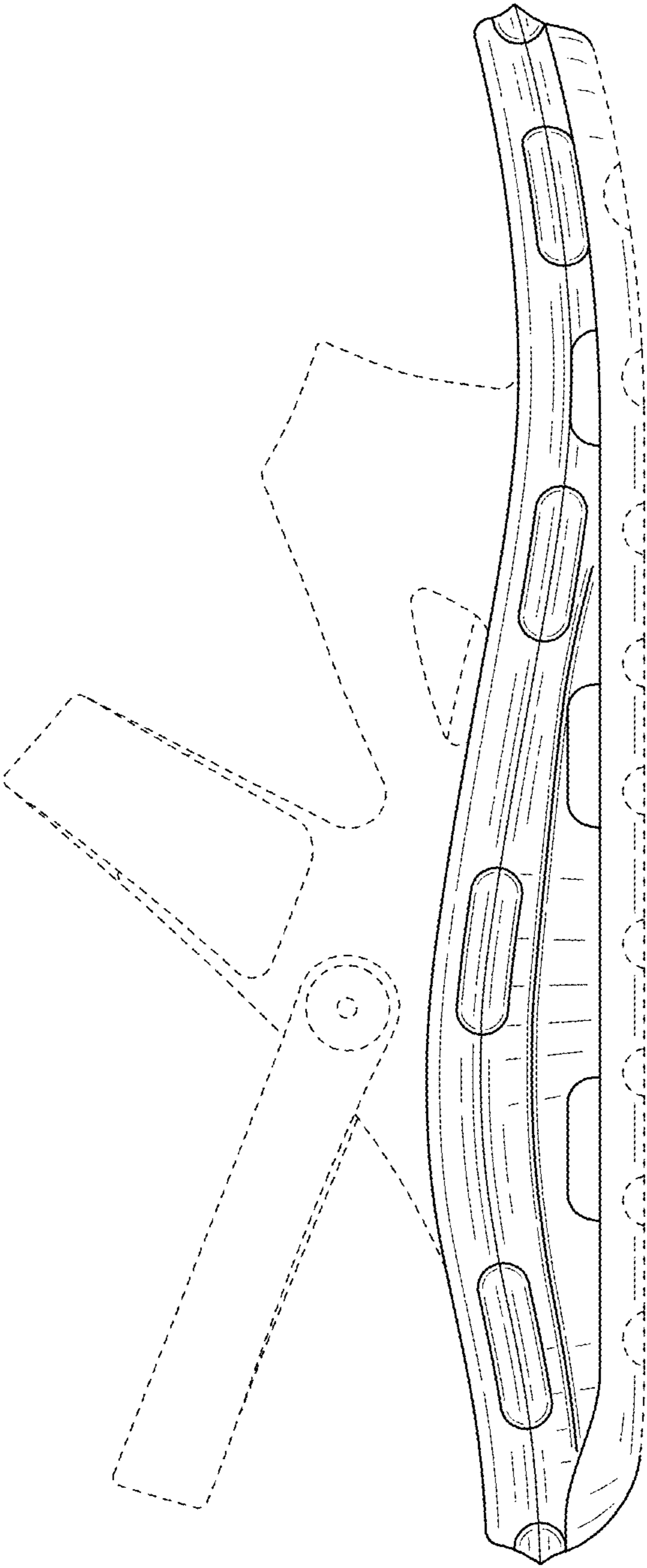


FIG. 4

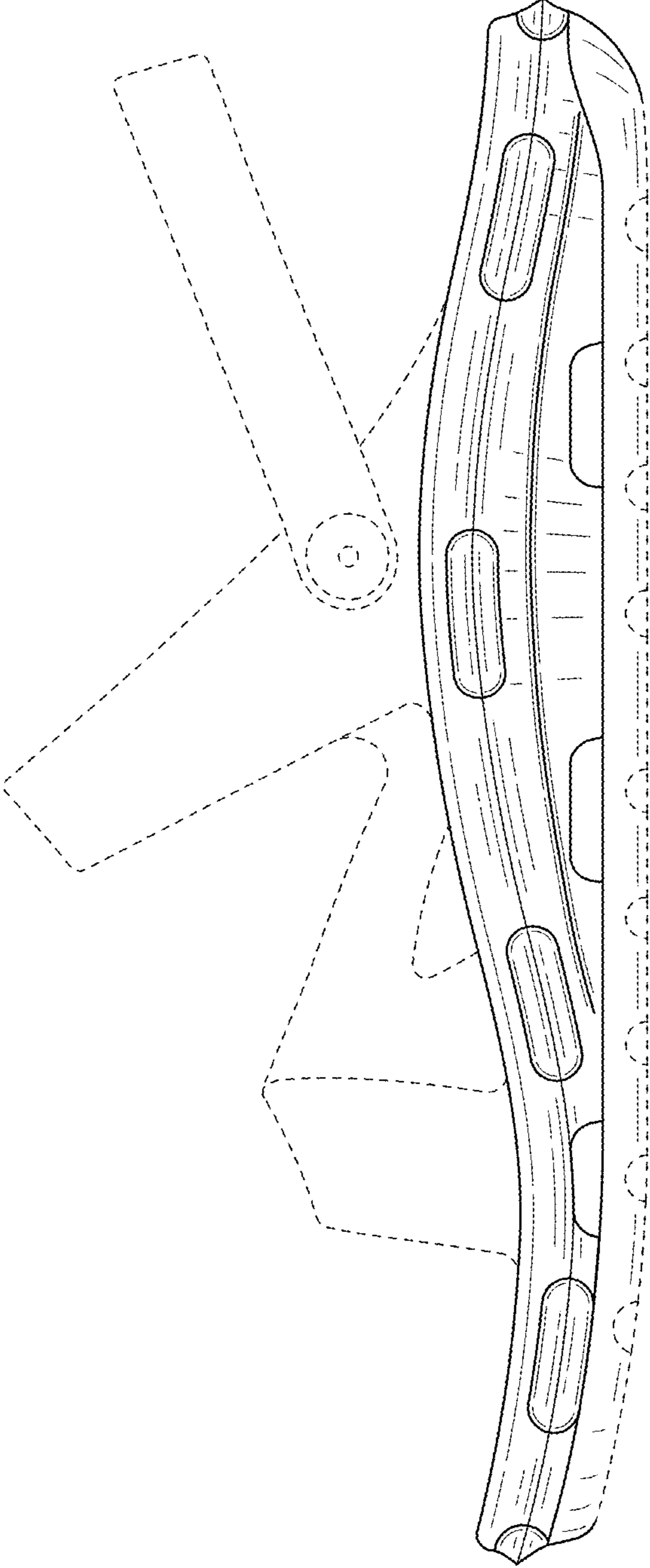


FIG. 5

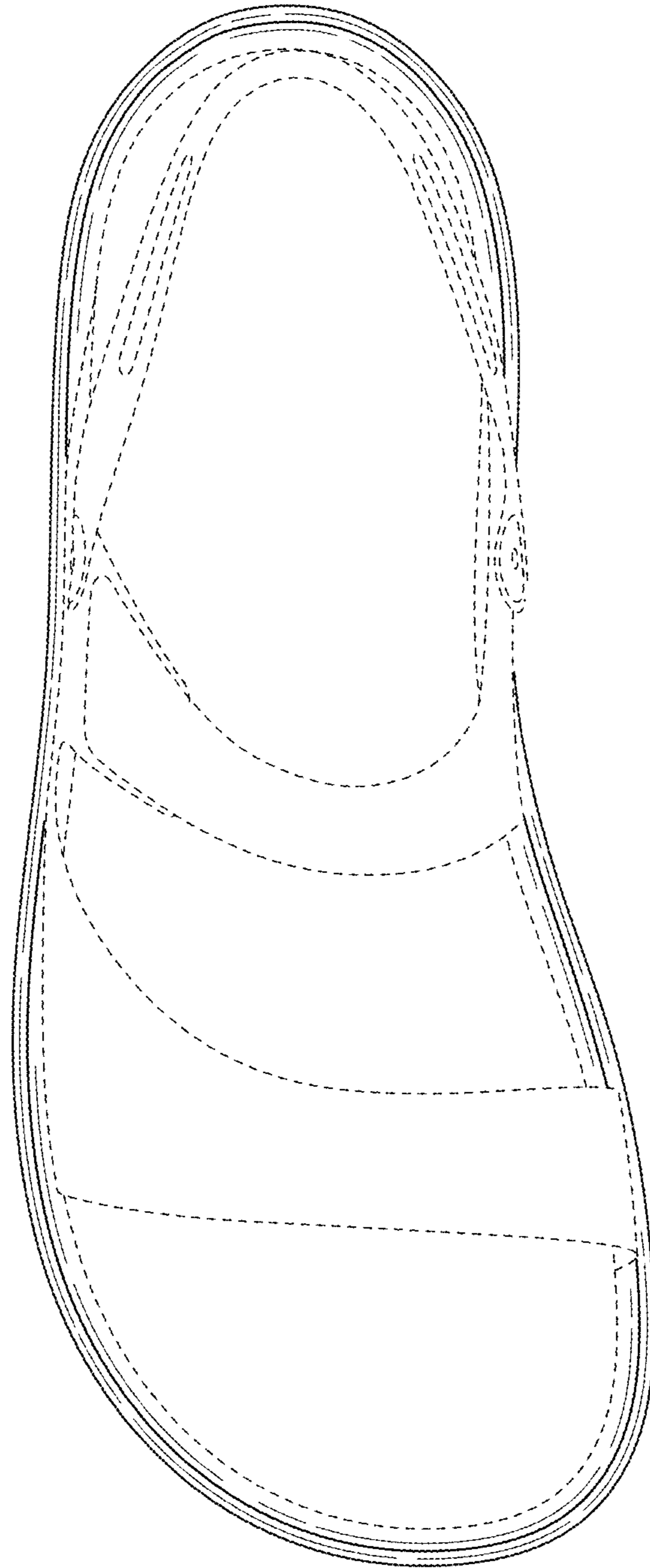


FIG. 6

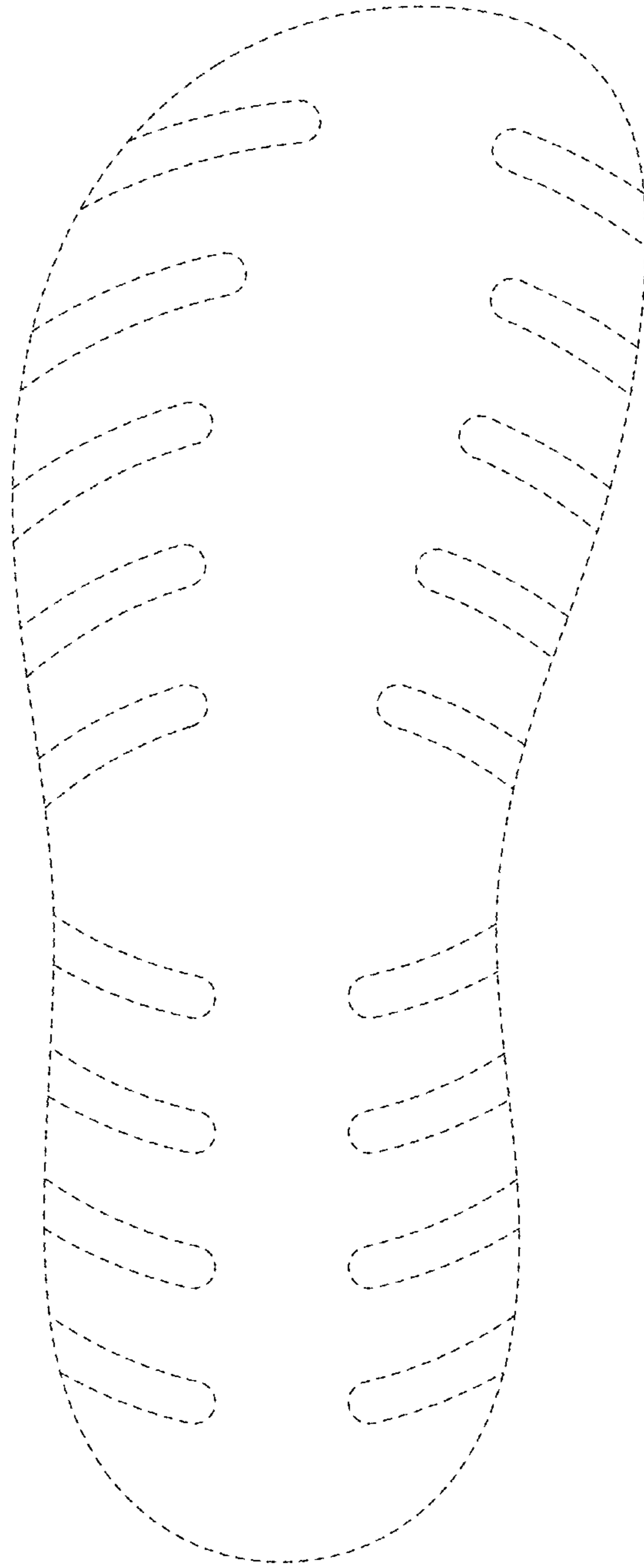


FIG. 7