

US00D929074S

(12) **United States Design Patent**  
**Vicker**

(10) **Patent No.:** **US D929,074 S**

(45) **Date of Patent:** **\*\* Aug. 31, 2021**

(54) **SAFETY BELT**

(71) Applicant: **BraunAbility UK Limited**, Somerset (GB)

(72) Inventor: **Robert Vicker**, Somerset (GB)

(73) Assignee: **BRAUNABILITY UK LIMITED**, Somerset (GB)

(\*\*) Term: **15 Years**

(21) Appl. No.: **29/665,756**

(22) Filed: **Oct. 5, 2018**

(30) **Foreign Application Priority Data**

Apr. 5, 2018 (EM) ..... 005205564-0001

(51) **LOC (13) Cl.** ..... **07-99**

(52) **U.S. Cl.**  
USPC ..... **D2/639**

(58) **Field of Classification Search**

USPC ..... D2/624-629, 631, 635-640, 720, 815,  
D2/838, 859, 894; D3/221, 222, 224,  
D3/226, 228; D11/5, 13; D24/190;  
D29/101.1, 101.3; D22/108

CPC ..... A41D 13/1236; A41F 11/02; A41F 11/16;  
A41F 3/02; A41F 5/00; A41F 9/02; A41F  
9/002; A41F 9/025; A41F 19/00; A41F  
3/00; A41F 15/00; A45F 2003/006; F16G  
13/00; B60R 22/00; B60R 2022/006;  
F41C 33/001; F41C 33/002

See application file for complete search history.

(56) **References Cited**

**U.S. PATENT DOCUMENTS**

3,074,761 A \* 1/1963 Ryan ..... B60R 22/38  
242/382.6

3,471,100 A \* 10/1969 Arcari ..... B60R 22/38  
242/383

5,524,833 A \* 6/1996 Modinger ..... B60R 22/36  
242/379  
8,251,304 B2 \* 8/2012 Boyer ..... A62B 1/10  
242/383  
D802,844 S \* 11/2017 Leitner ..... B64D 9/003  
D29/100  
9,840,183 B2 \* 12/2017 Tolly ..... B64D 9/003  
2009/0212159 A1 \* 8/2009 O'Brien ..... B60R 22/34  
244/121

\* cited by examiner

*Primary Examiner* — Kevin K Rudzinski

*Assistant Examiner* — Clare Ann Gannon

(74) *Attorney, Agent, or Firm* — Nixon & Vanderhye

(57) **CLAIM**

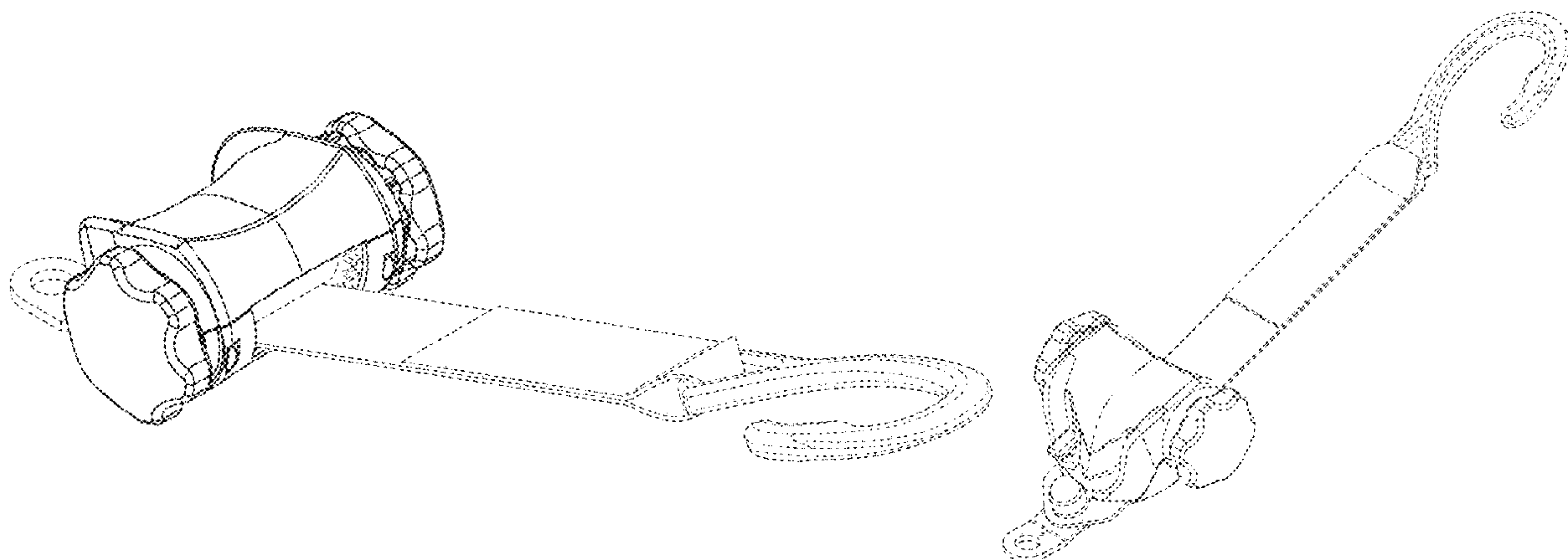
The ornamental design for a safety belt, as shown and described.

**DESCRIPTION**

FIG. 1 is a front, right side, and top perspective view of a safety belt showing the new design;  
FIG. 2 is a front, left side, and top perspective view thereof;  
FIG. 3 is a top, right side, and rear perspective view thereof;  
FIG. 4 is a top, left side, and rear perspective view thereof;  
FIG. 5 is a right side elevation thereof;  
FIG. 6 is a left side elevation view thereof;  
FIG. 7 is a front elevation view thereof;  
FIG. 8 is a rear elevation view thereof;  
FIG. 9 is a bottom view thereof; and,  
FIG. 10 is an alternate top view thereof.

The broken lines shown in the drawings illustrate portions of the safety belt that from no part of the claimed design.

**1 Claim, 10 Drawing Sheets**



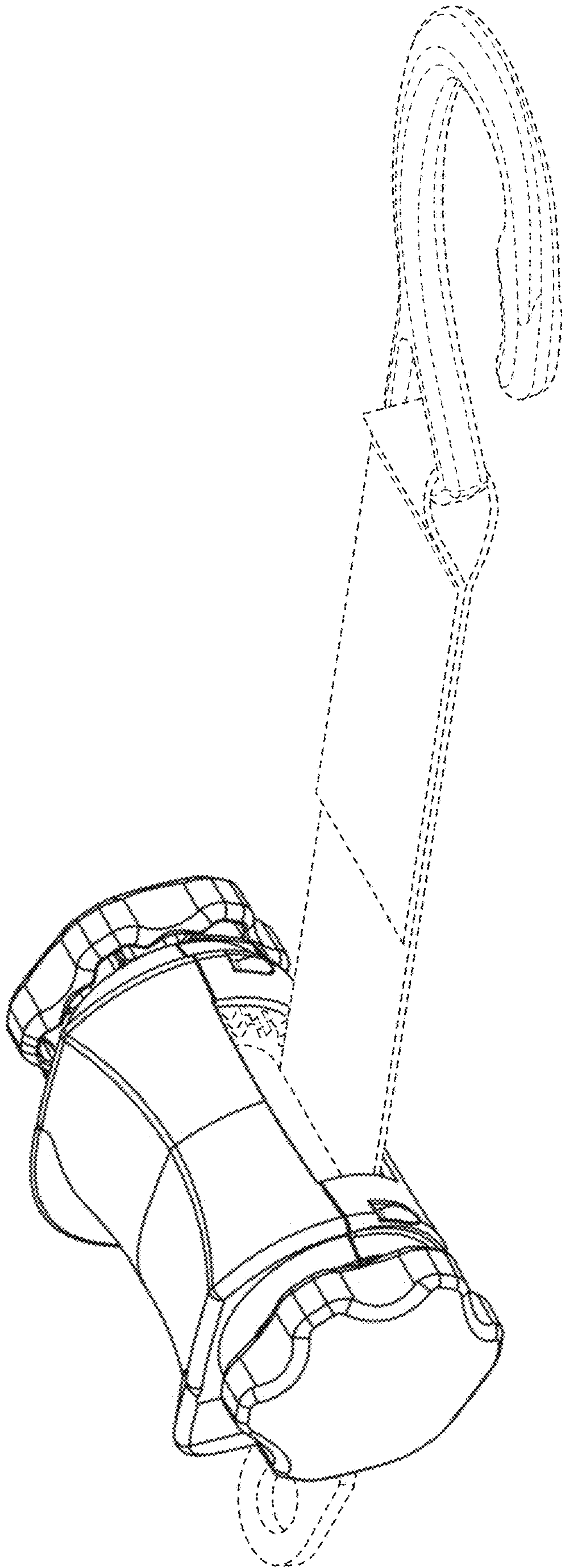


FIG. 1

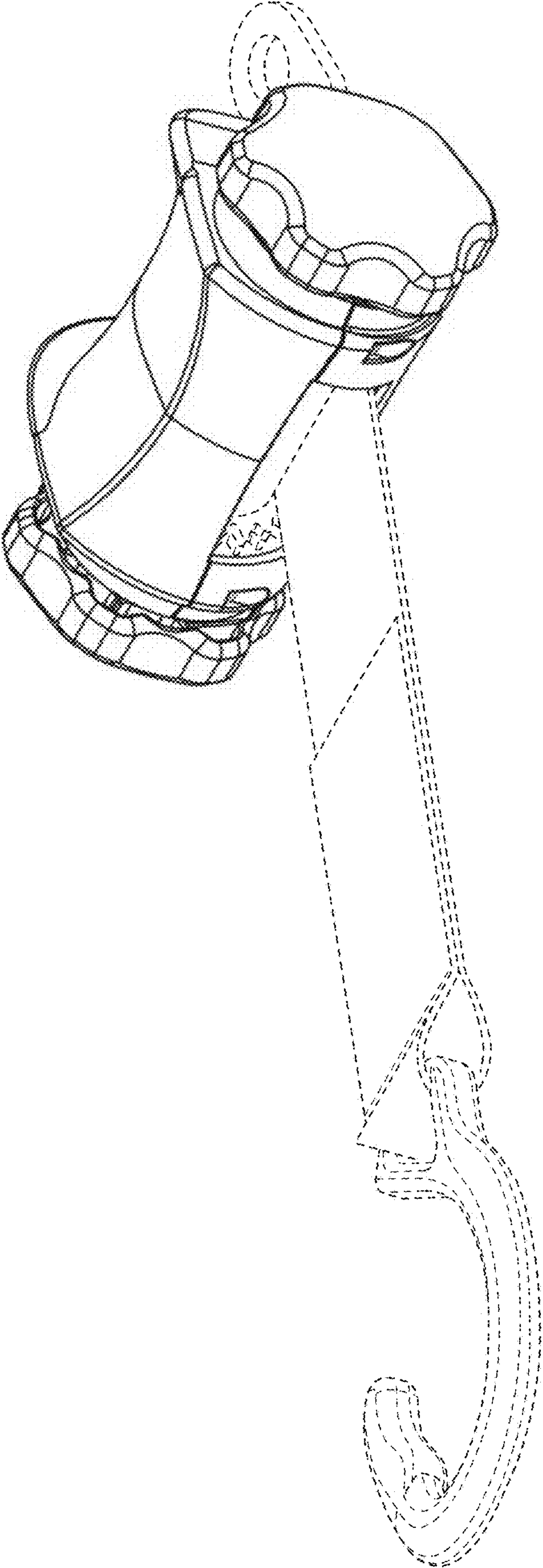


FIG. 2

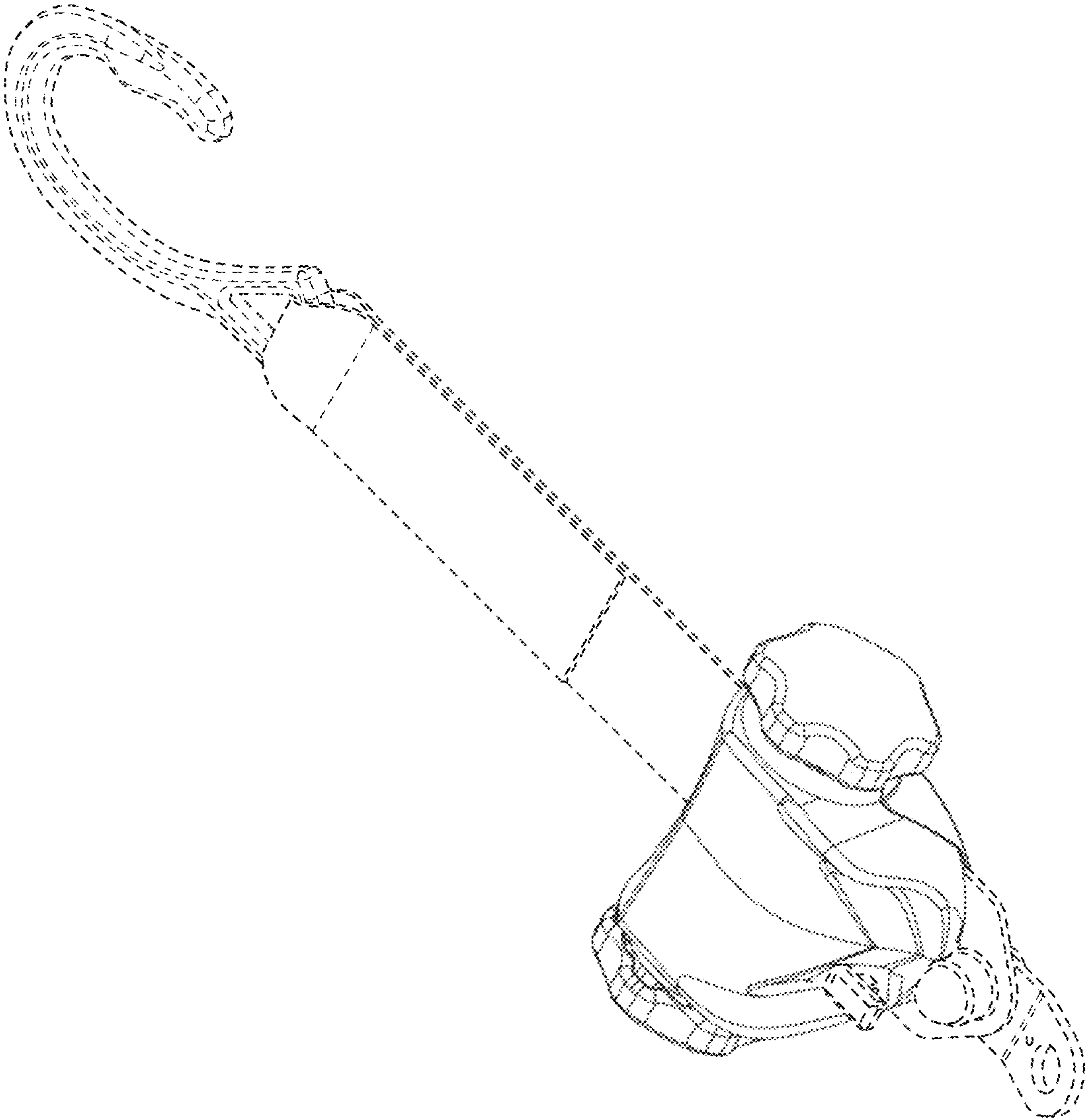


FIG. 3



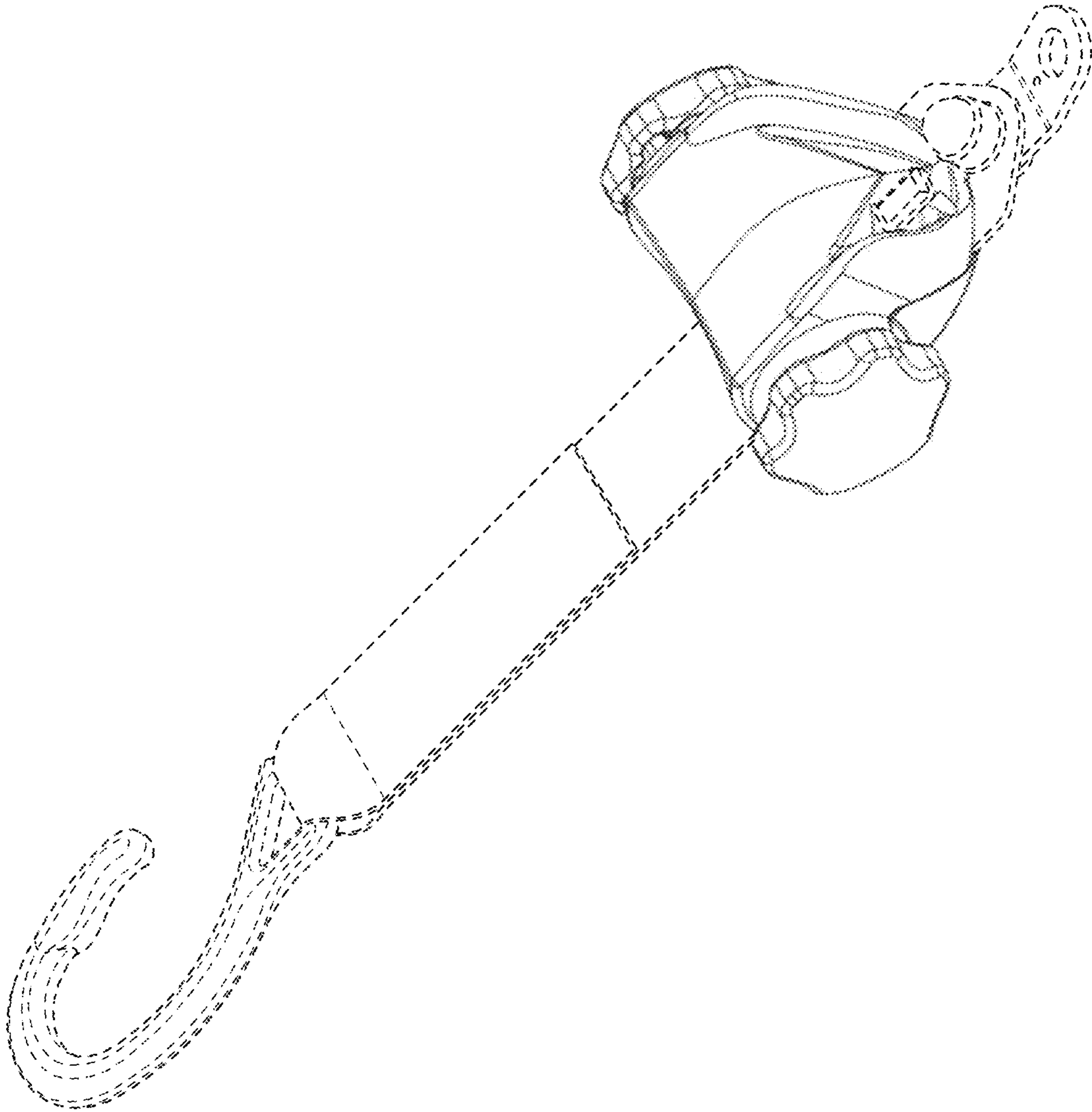


FIG. 4

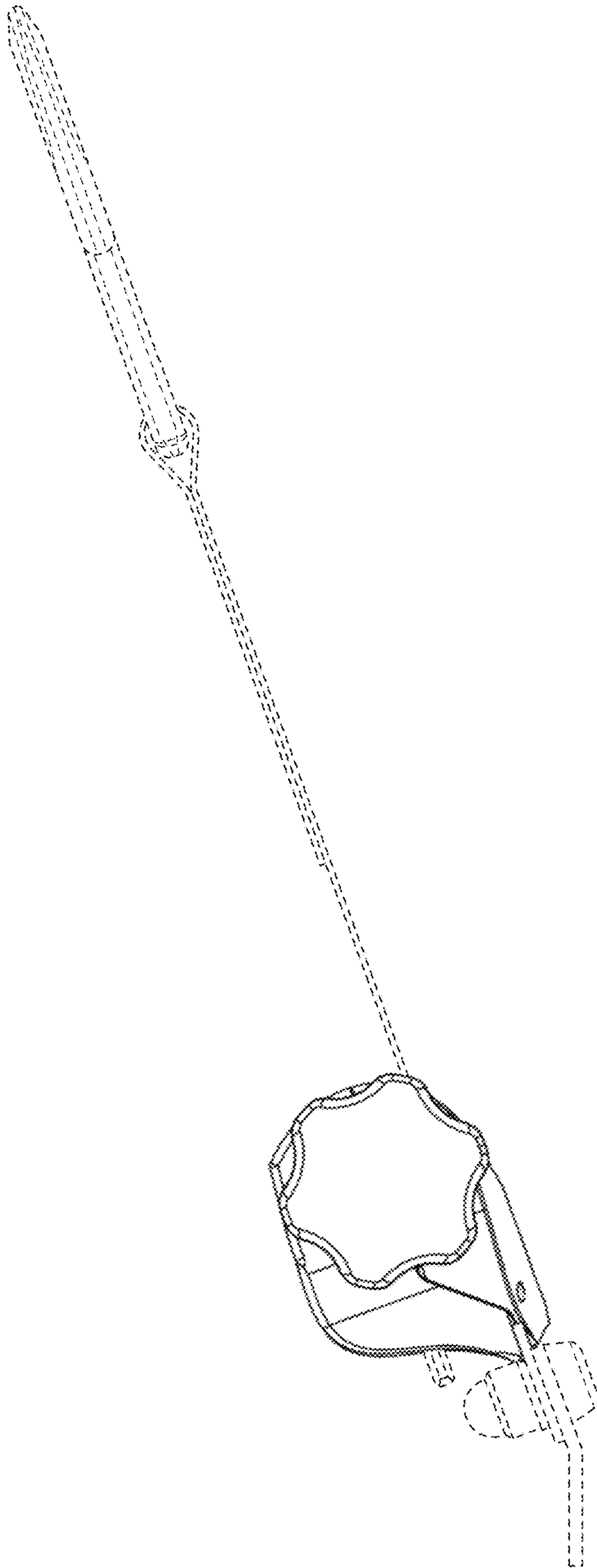


FIG. 5

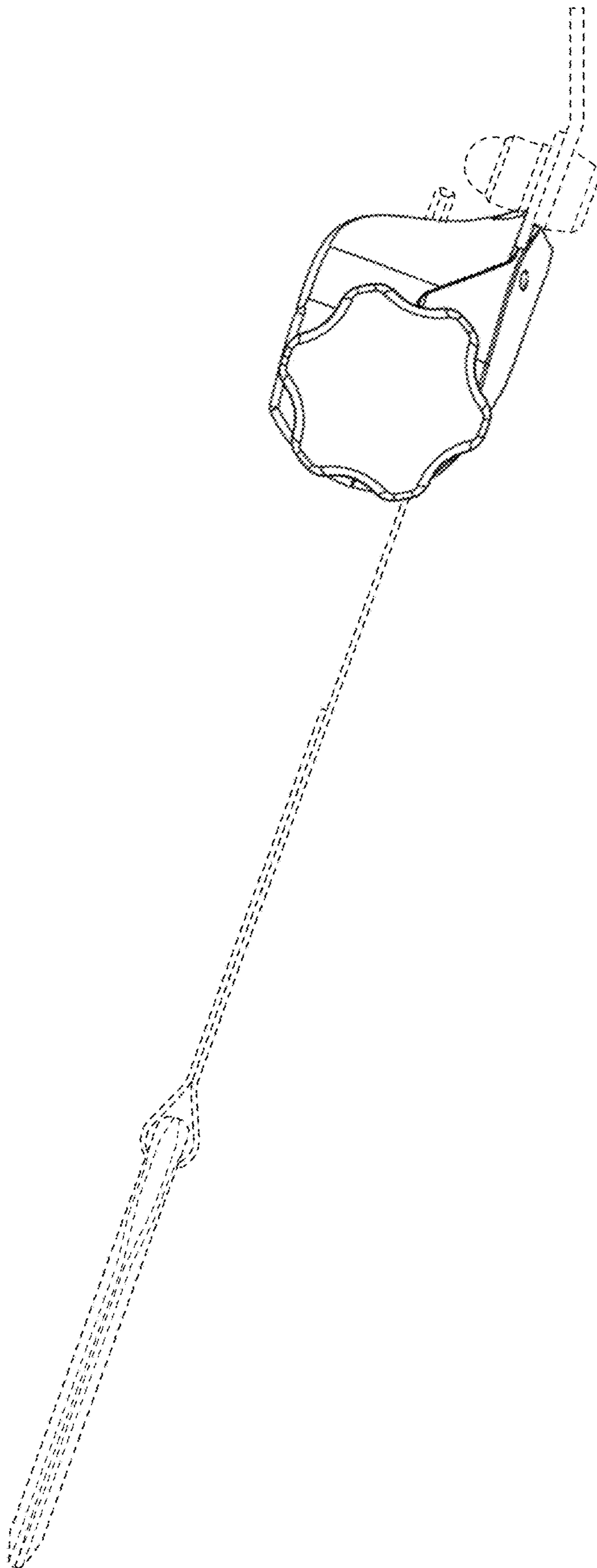


FIG. 6

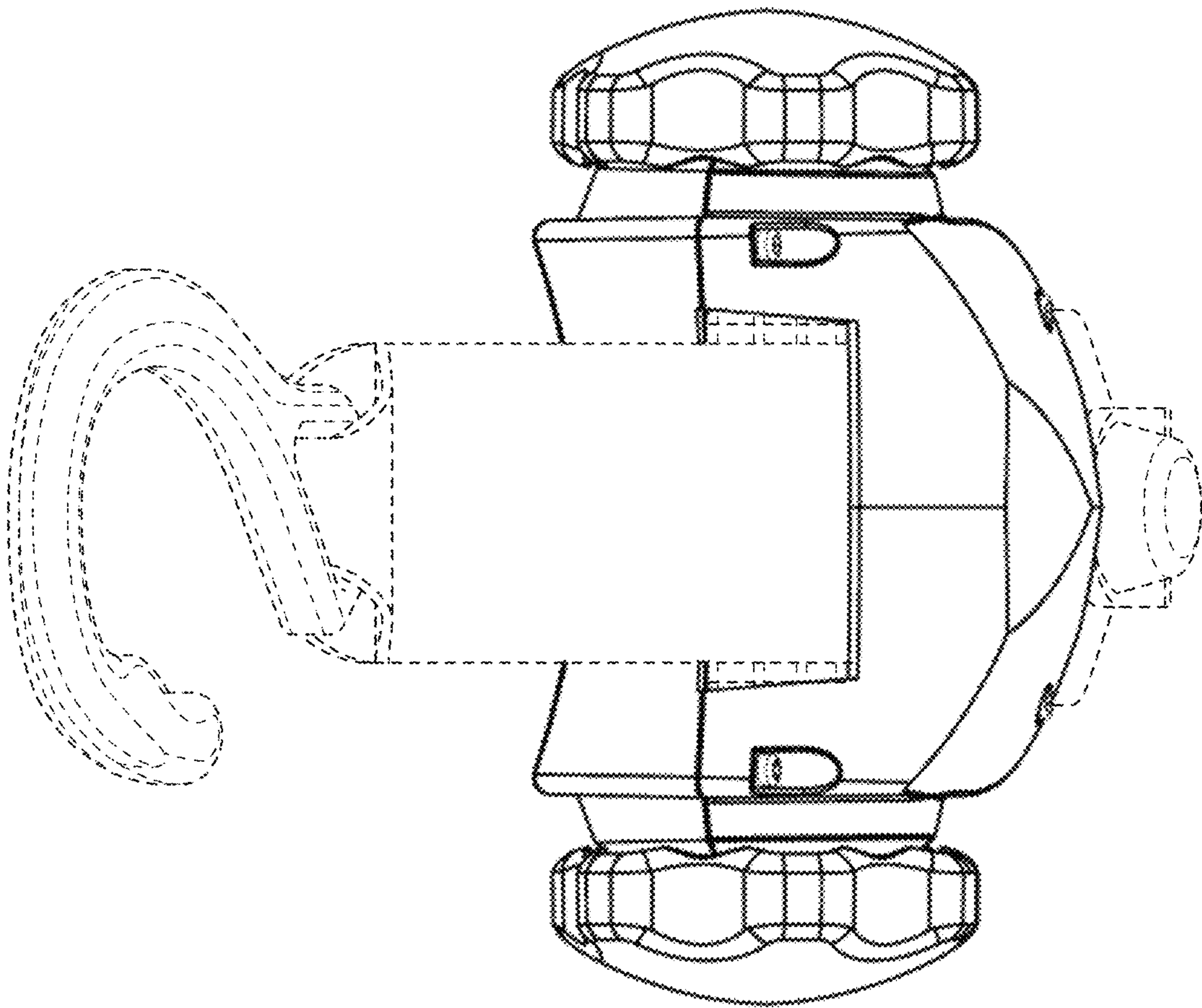


FIG. 7



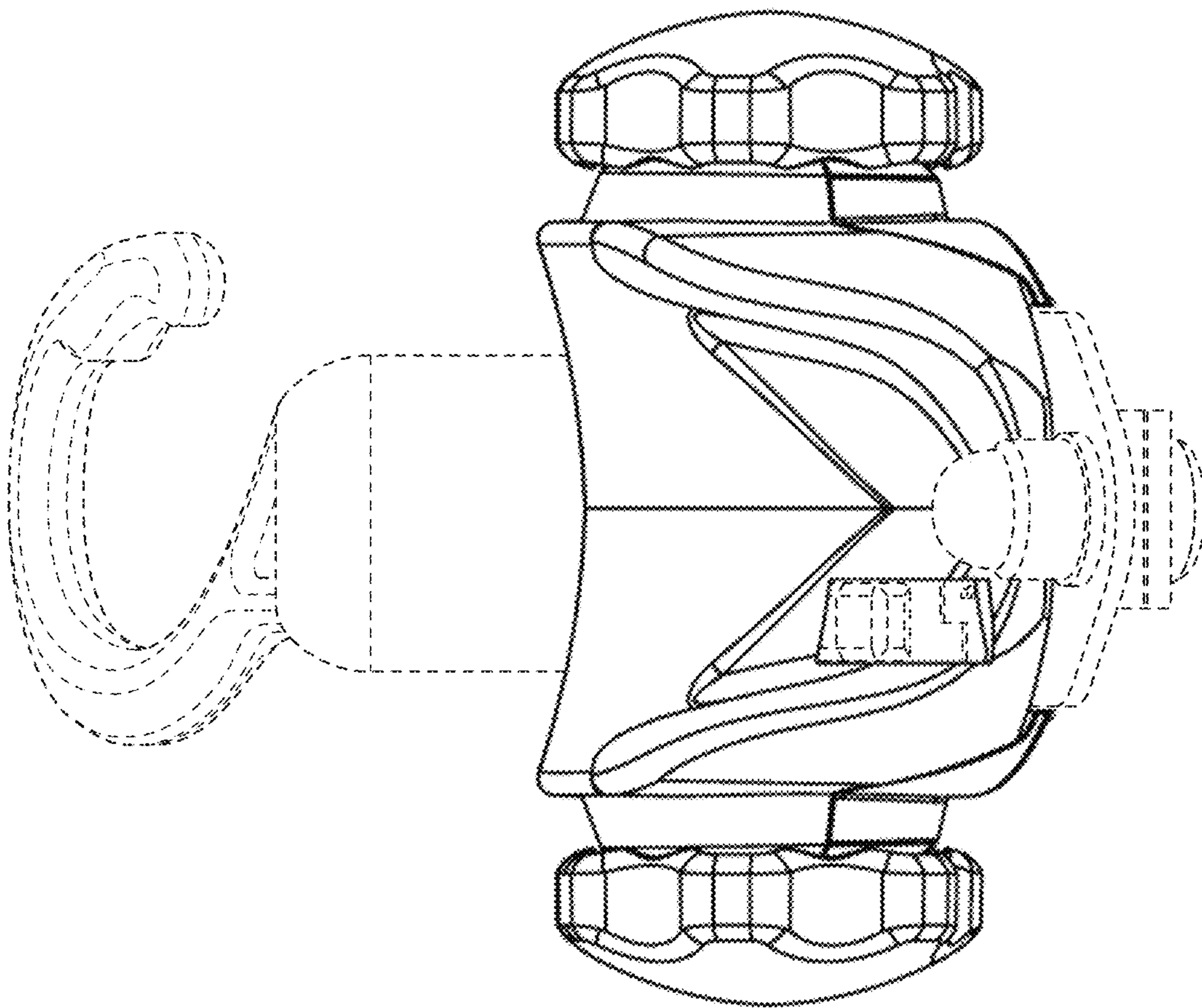


FIG. 8

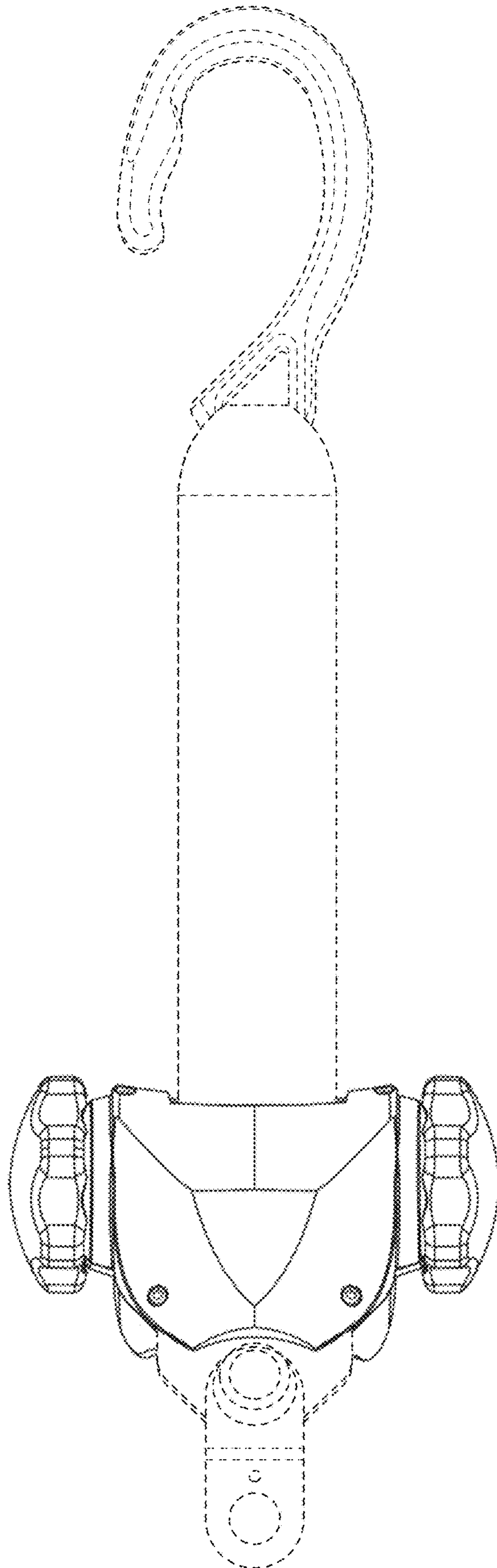


FIG. 9

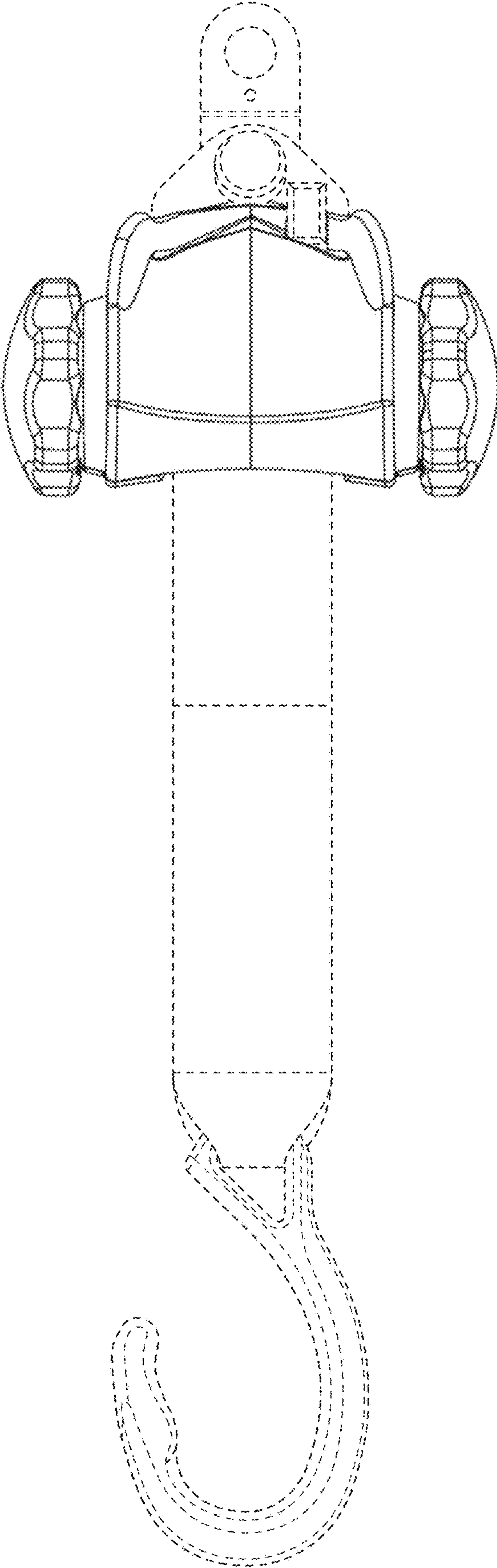


FIG. 10