



US00D929071S

(12) **United States Design Patent** (10) **Patent No.:** **US D929,071 S**
Reinhardt et al. (45) **Date of Patent:** **** Aug. 31, 2021**

(54) **APPARATUS FOR CONSUMING A FREEZABLE SUBSTANCE**

(71) Applicant: **BLUH2O LLC**, Sheridan, WY (US)

(72) Inventors: **Tracy Reinhardt**, Newport Beach, CA (US); **William Robert Reinhardt, Jr.**, Newport Beach, CA (US); **Dale Constable**, Helendale, CA (US); **Renato Valz-Brenta**, Eastvale, CA (US); **Tony Balmforth**, Yucaipa, CA (US); **Doug Bjork**, Rancho Cucamonga, CA (US)

(73) Assignee: **BLUH2O LLC**, Sheridan, WY (US)

(**) Term: **15 Years**

(21) Appl. No.: **29/653,419**

(22) Filed: **Jun. 14, 2018**

Related U.S. Application Data

(63) Continuation-in-part of application No. 29/629,856, filed on Dec. 15, 2017.

(51) **LOC (13) Cl.** **01-01**

(52) **U.S. Cl.**
USPC **D1/105**

(58) **Field of Classification Search**
USPC D7/510, 511, 538, 541, 300, 300.1, 302, D7/305, 321, 589, 591, 602, 605, 701,
(Continued)

(56) **References Cited**

U.S. PATENT DOCUMENTS

3,821,425 A 6/1974 Russell
4,229,482 A 10/1980 Kreske, Jr.
(Continued)

FOREIGN PATENT DOCUMENTS

CA 2847932 A1 9/2015
CN 105496791 A 4/2016
(Continued)

OTHER PUBLICATIONS

Renstrom, "An Intoxicating Side Projects", Plastic News, Nov. 20, 2017 in 2 pages.

(Continued)

Primary Examiner — Susan E Krakower

Assistant Examiner — Andrew Kerr

(74) *Attorney, Agent, or Firm* — Knobbe, Martens, Olson & Bear LLP

(57) **CLAIM**

The ornamental designs for an apparatus for consuming a freezable substance, as shown and described.

DESCRIPTION

FIG. 1 is a front, top, right side perspective view of a first embodiment of an apparatus for consuming a freezable substance, showing our new design.

FIG. 2 is a rear elevation view of the apparatus as shown in FIG. 1.

FIG. 3 is a left side elevation view of the apparatus as shown in FIG. 1.

FIG. 4 is a top plan view of the apparatus as shown in FIG. 1.

FIG. 5 is a bottom plan view of the apparatus as shown in FIG. 1.

FIG. 6 is a front, top, right side perspective view of a second embodiment of an apparatus for consuming a freezable substance, showing our new design.

FIG. 7 is a rear elevation view of the apparatus as shown in FIG. 6.

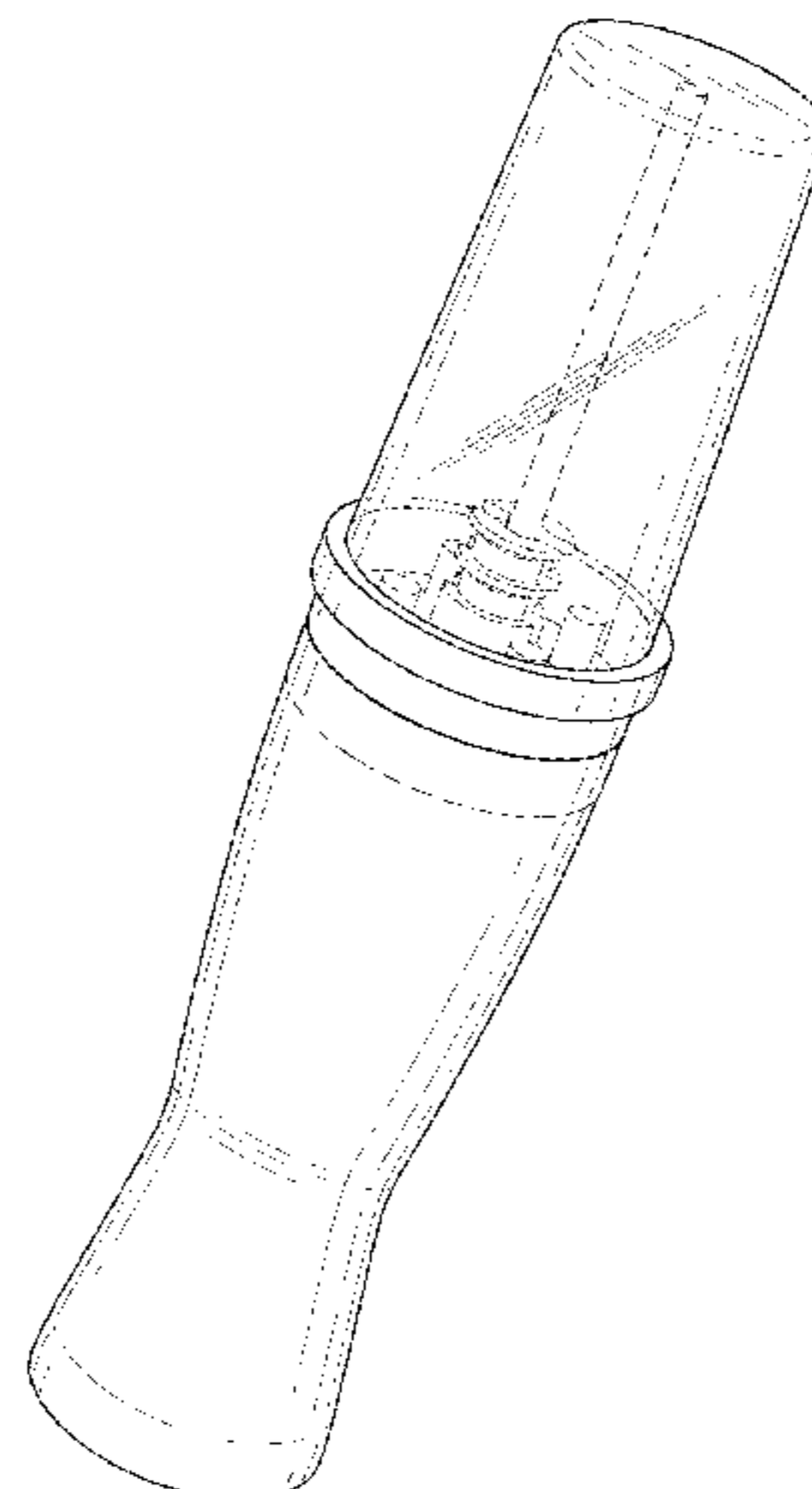
FIG. 8 is a left side elevation view of the apparatus as shown in FIG. 6.

FIG. 9 is a top plan view of the apparatus as shown in FIG. 6; and,

FIG. 10 is a bottom plan view of the apparatus as shown in FIG. 6.

The broken lines in the drawings depict portions of the apparatus for consuming a freezable confection that form no part of the claimed design.

1 Claim, 6 Drawing Sheets



(58) **Field of Classification Search**
 USPC D7/703, 619.1, 396, 397; D9/549, 434,
 D9/435, 436, 723-727, 516, 537;
 D1/102, 105
 CPC A47G 19/22; A47G 19/2205; A47G
 19/2266; A45F 3/16; A47J 43/27; B65D
 43/02
 See application file for complete search history.

(56) **References Cited**
 U.S. PATENT DOCUMENTS

5,324,527	A	6/1994	Coleman	
5,431,915	A	7/1995	Harvey et al.	
5,515,998	A	5/1996	Wang	
5,939,983	A	8/1999	Rudell et al.	
6,054,156	A	4/2000	Rudell et al.	
6,062,936	A	5/2000	Rudell et al.	
6,325,693	B1	12/2001	Rudell et al.	
6,359,559	B1	3/2002	Rudell et al.	
6,383,536	B1	5/2002	Palmer et al.	
6,416,800	B1	7/2002	Weber et al.	
6,572,244	B1	6/2003	Clark	
6,619,816	B1	9/2003	Johnson	
6,730,339	B2	5/2004	Chan	
6,796,671	B2	9/2004	Rudell et al.	
6,869,419	B2	3/2005	Dragan et al.	
6,948,643	B1	9/2005	Lohrman	
7,311,411	B2	12/2007	VanderSchuit	
8,092,847	B2	1/2012	Chan	
8,522,968	B2	9/2013	Middleman et al.	
8,561,825	B1 *	10/2013	Kino A47J 41/0077 220/23.89	
8,734,876	B2	5/2014	French	
D722,249	S *	2/2015	Valderrama D7/396.2	
D722,829	S *	2/2015	Valderrama D7/523	
9,247,756	B2	2/2016	Lucas et al.	
9,402,409	B2	8/2016	Albano et al.	
D898,519	S *	10/2020	Renz B65D 47/32 D7/523	
2003/0098312	A1 *	5/2003	Hakim B65D 47/2031 220/714	
2004/0037923	A1	2/2004	Chan	

2004/0262321	A1 *	12/2004	Takeda B29C 49/0021 220/675	
2007/0009490	A1	1/2007	Conte et al.	
2008/0102172	A1	5/2008	Capelle et al.	
2008/0152766	A1	6/2008	Chan et al.	
2008/0158857	A1	7/2008	VanderSchuit	
2009/0211537	A1	8/2009	Bertsch et al.	
2010/0170905	A1	7/2010	Ingman et al.	
2011/0020515	A1	1/2011	Bucceri	
2011/0223292	A1	9/2011	Kushner et al.	
2012/0095088	A1	4/2012	Hospodor	
2013/0156918	A1	6/2013	Reinhardt et al.	
2014/0065267	A1	3/2014	Labano et al.	
2015/0017300	A1	1/2015	Lucas et al.	
2017/0072141	A1	3/2017	Robinson et al.	

FOREIGN PATENT DOCUMENTS

CN	105616166	A	6/2016	
FR	2667494		4/1992	
FR	3033319		9/2016	
GB	2448299	A	10/2008	
WO	WO 2015/006511	A1	1/2015	

OTHER PUBLICATIONS

Wine in a Cup as published Mar. 21, 2014, <https://www.youtube.com/watch?v=alsk0106rXA>.
 Zips Wine as published May 19, 2015, <https://www.youtube.com/watch?v=8G4OuCjTZzl>.
 International Search Report and Written Opinion dated Oct. 15, 2014, for International Application No. PCT/US2014/046053, 15 pages.
 International Search Report and Written Opinion dated Feb. 5, 2019, for International Application No. PCT/US2018/061878, 14 pages.
 International Search Report and Written Opinion dated Mar. 18, 2019, for International Application No. PCT/US2018/064613, 19 pages.
 International Search Report and Written Opinion dated Feb. 11, 2020, for International Application No. PCT/US2019/058197, 18 pages.

* cited by examiner

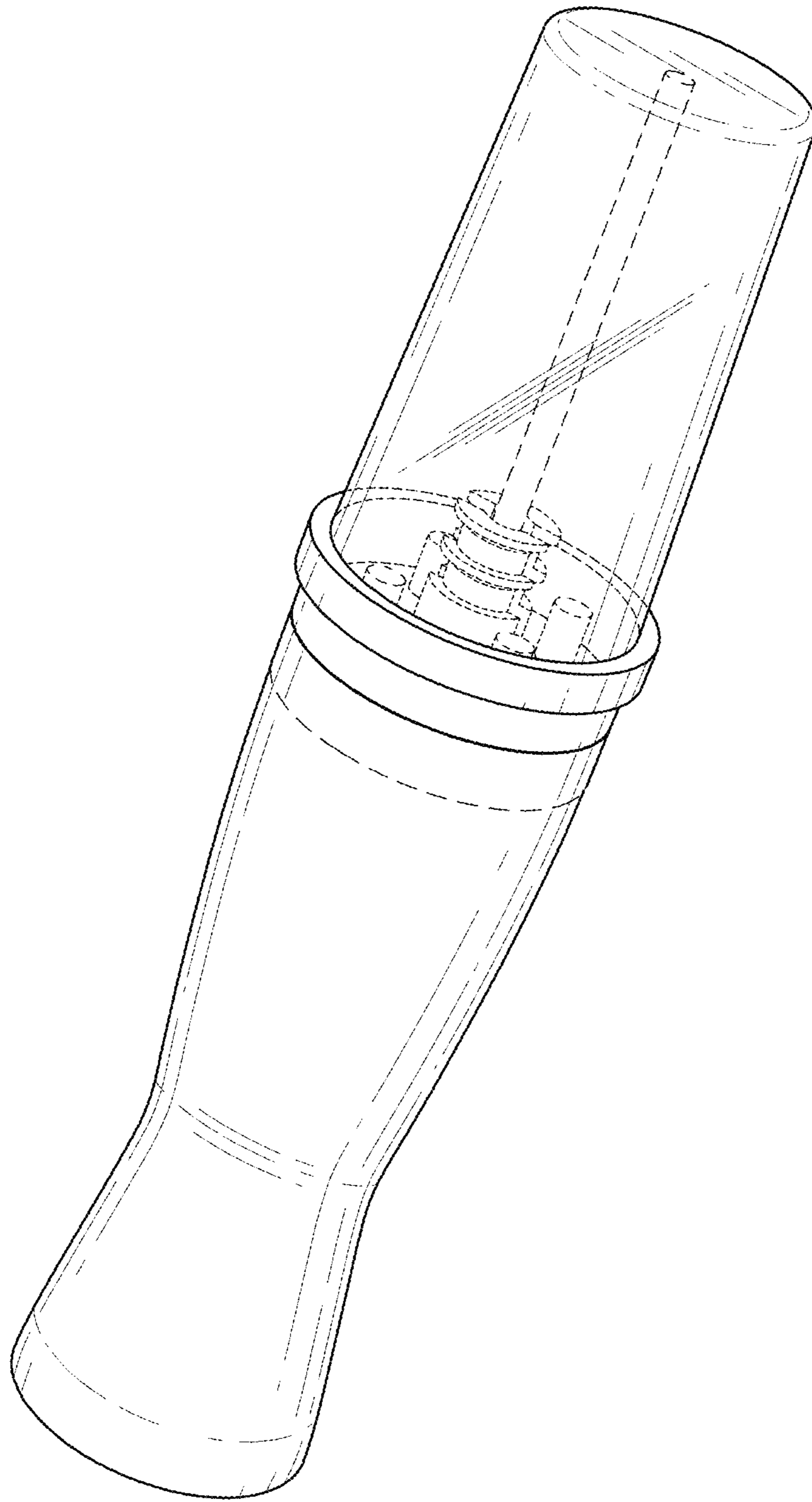


FIG. 1

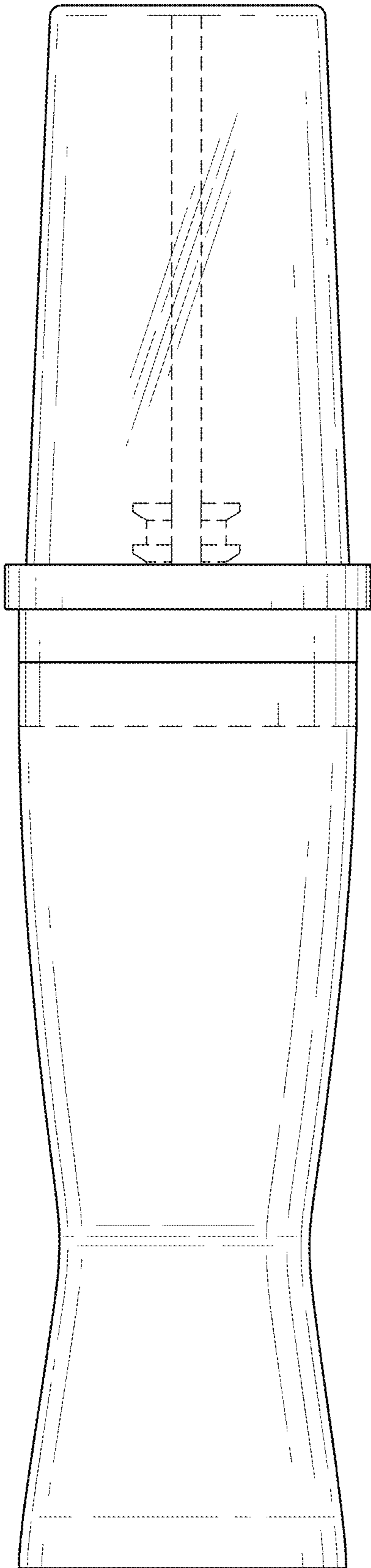


FIG. 2

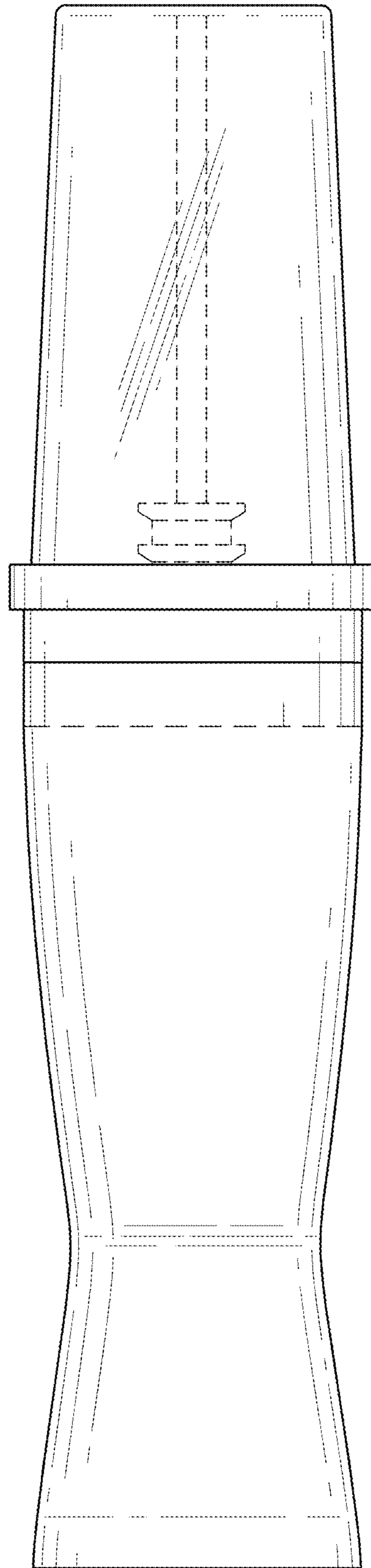


FIG. 3

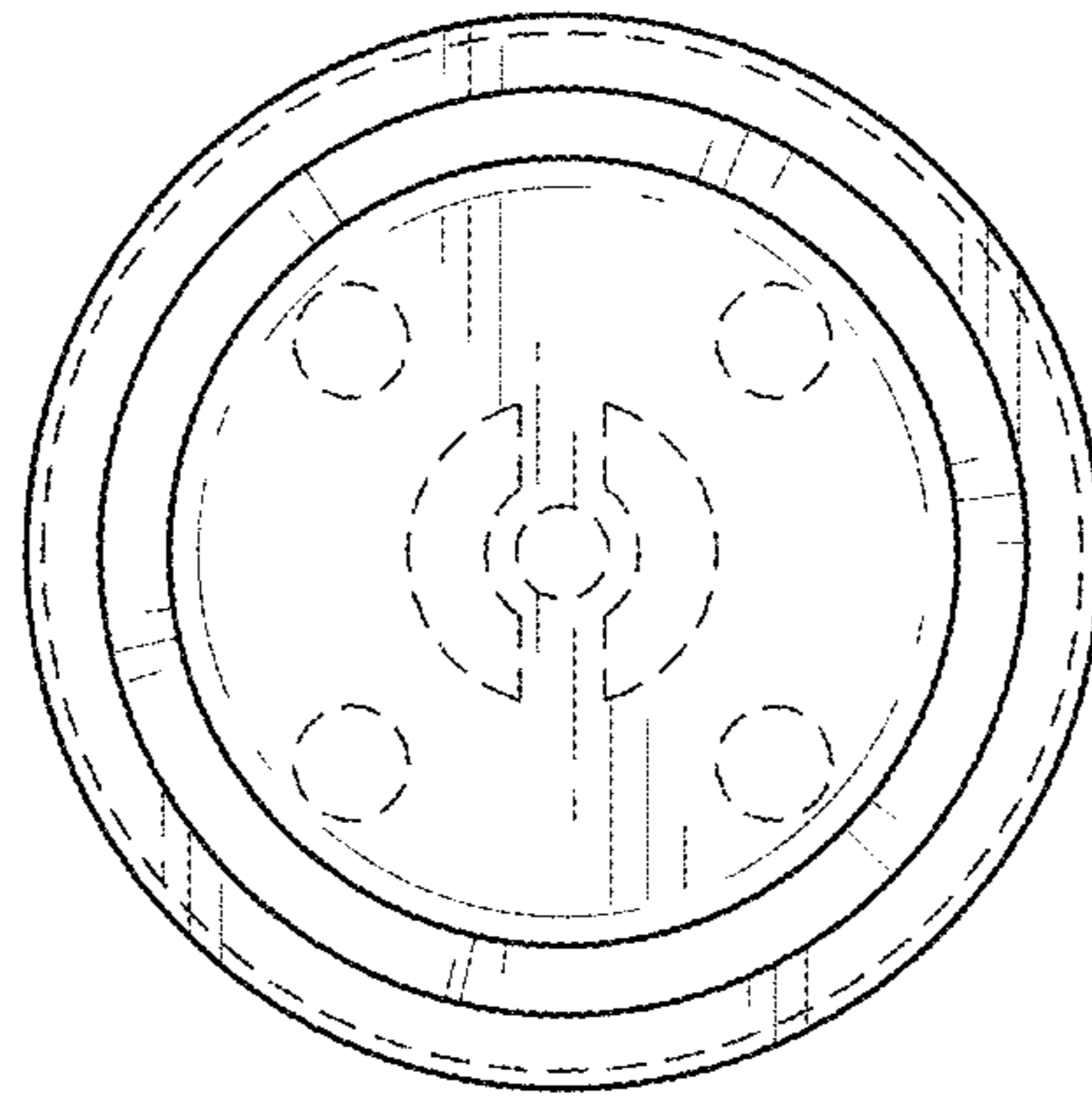


FIG. 4

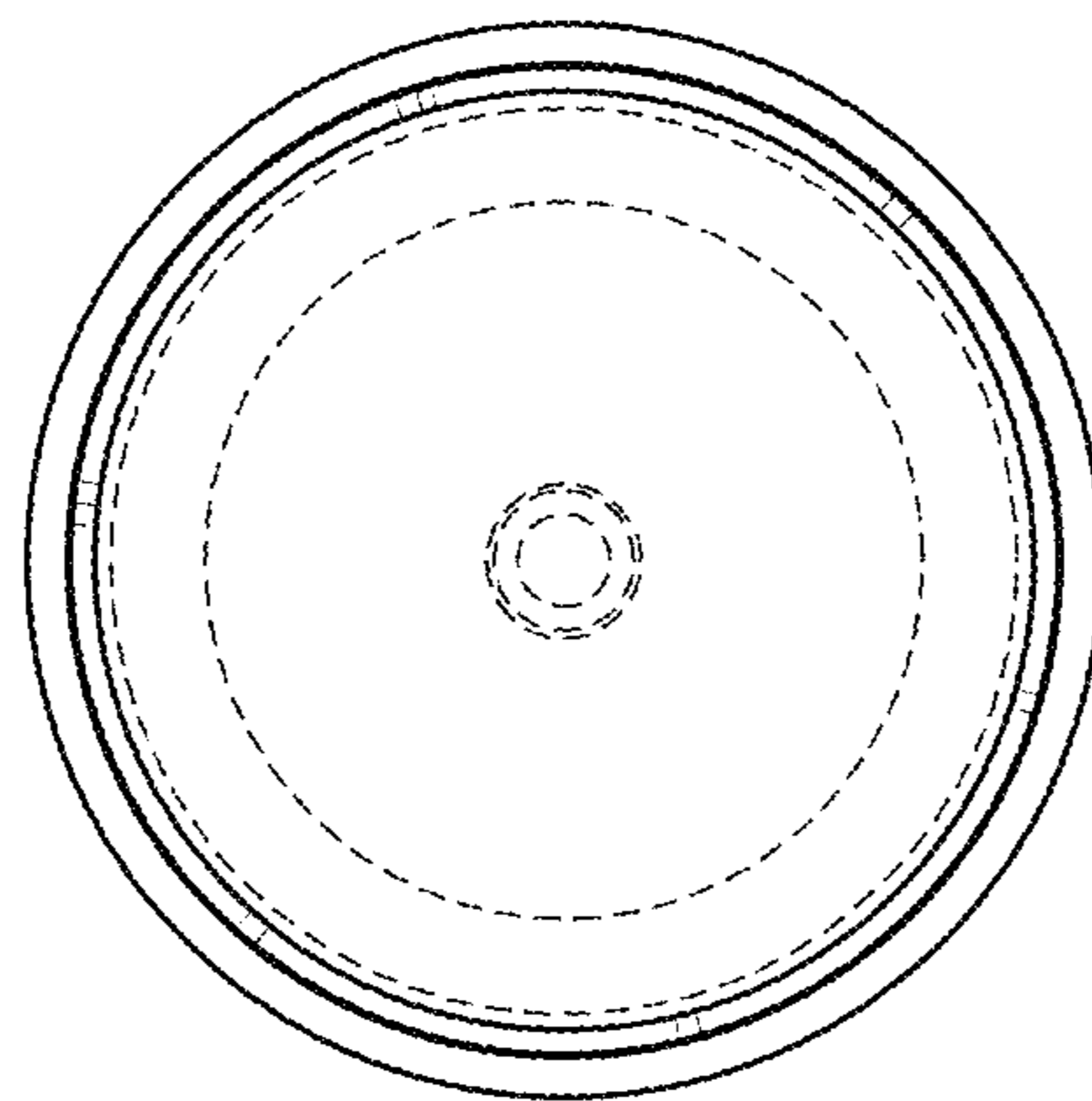


FIG. 5

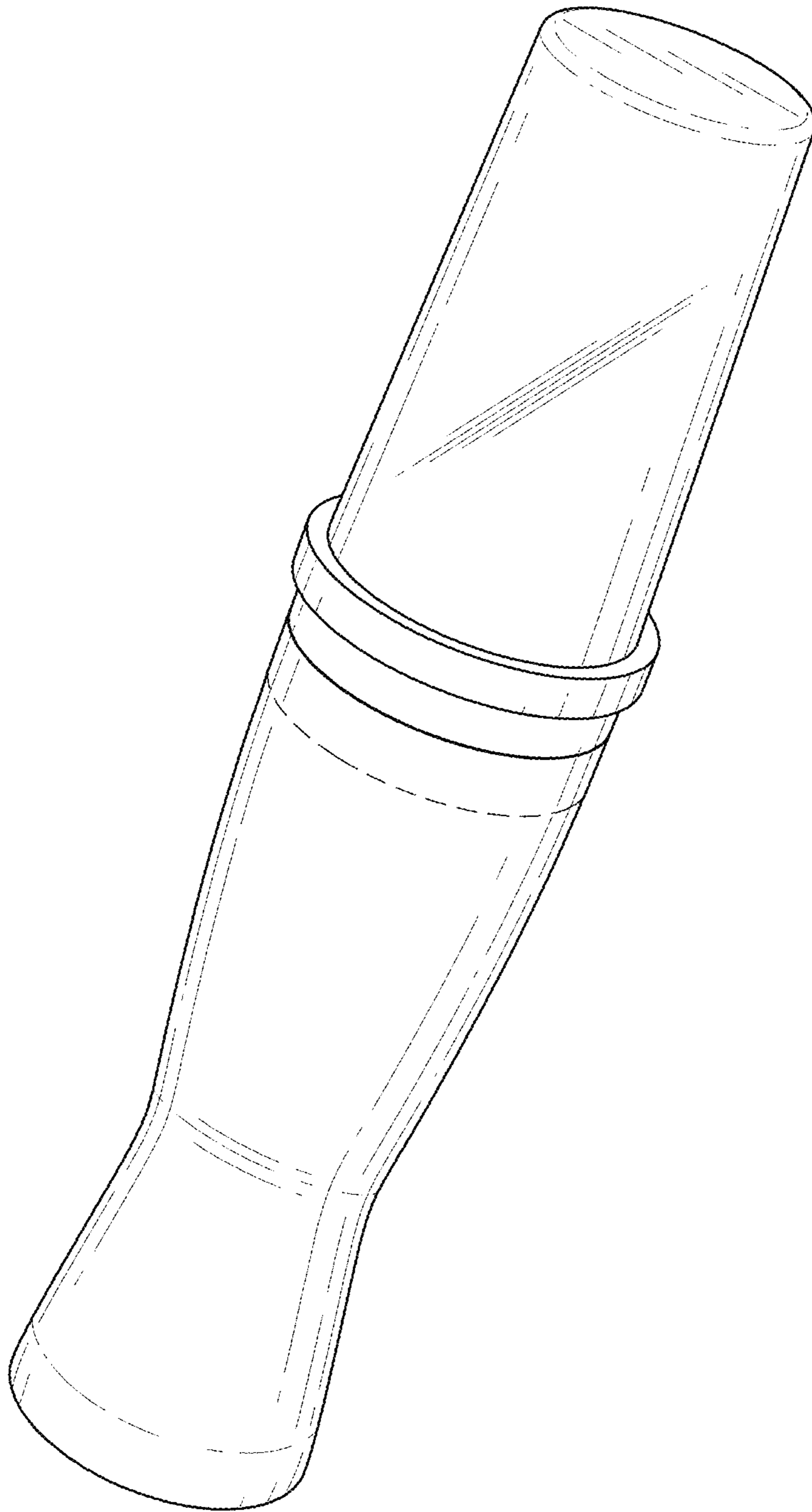


FIG. 6

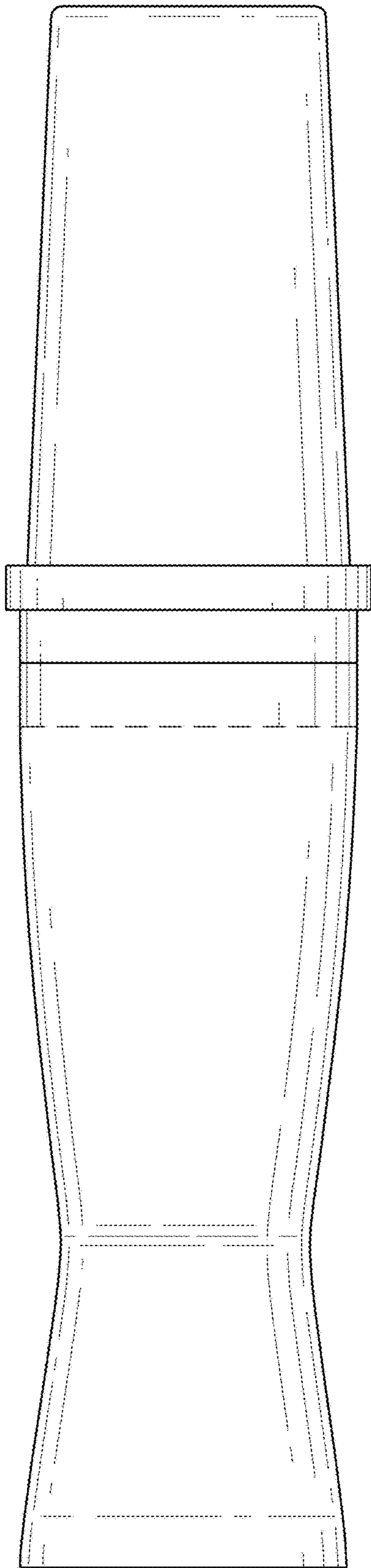


FIG. 7

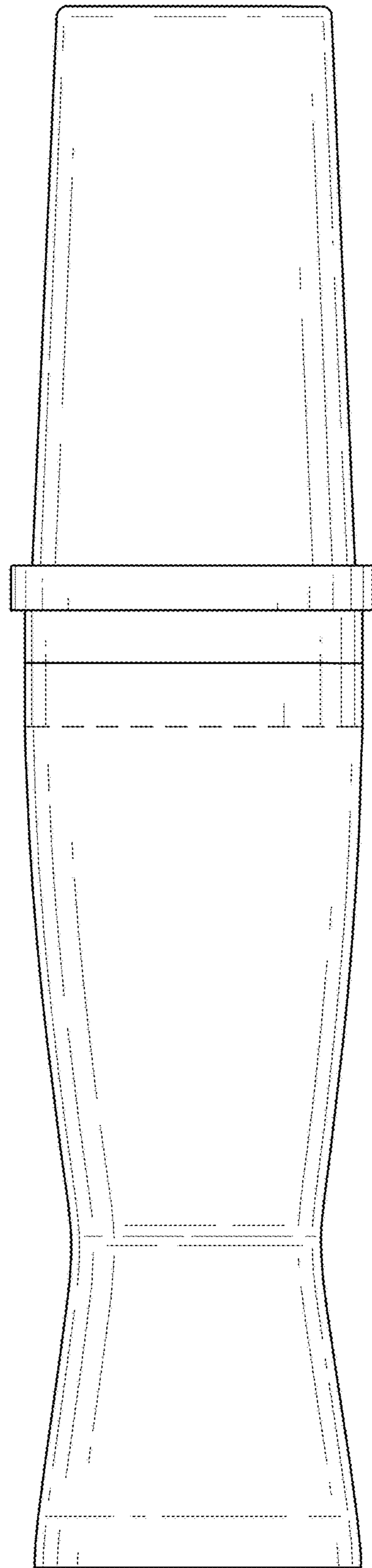


FIG. 8

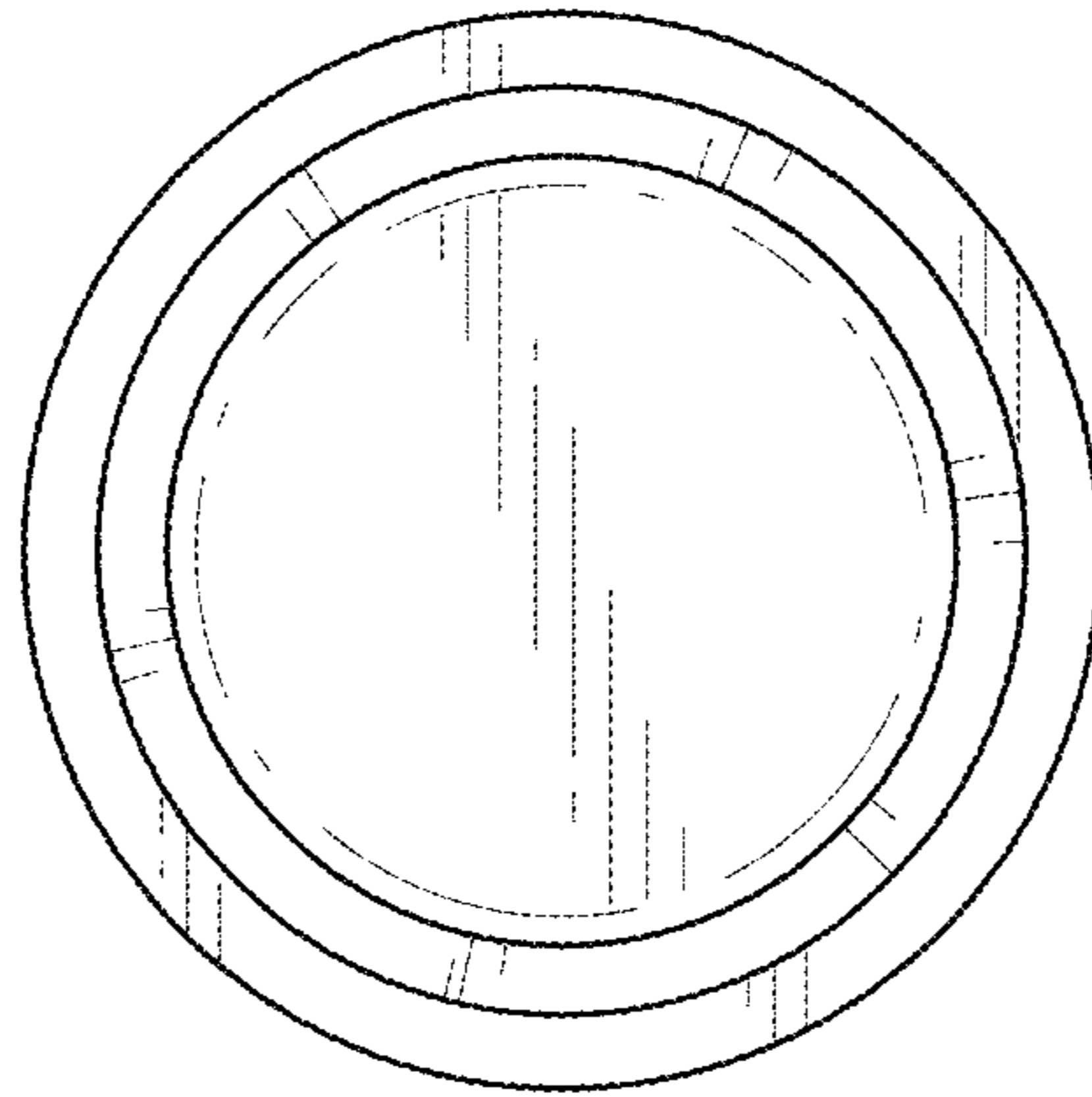


FIG. 9

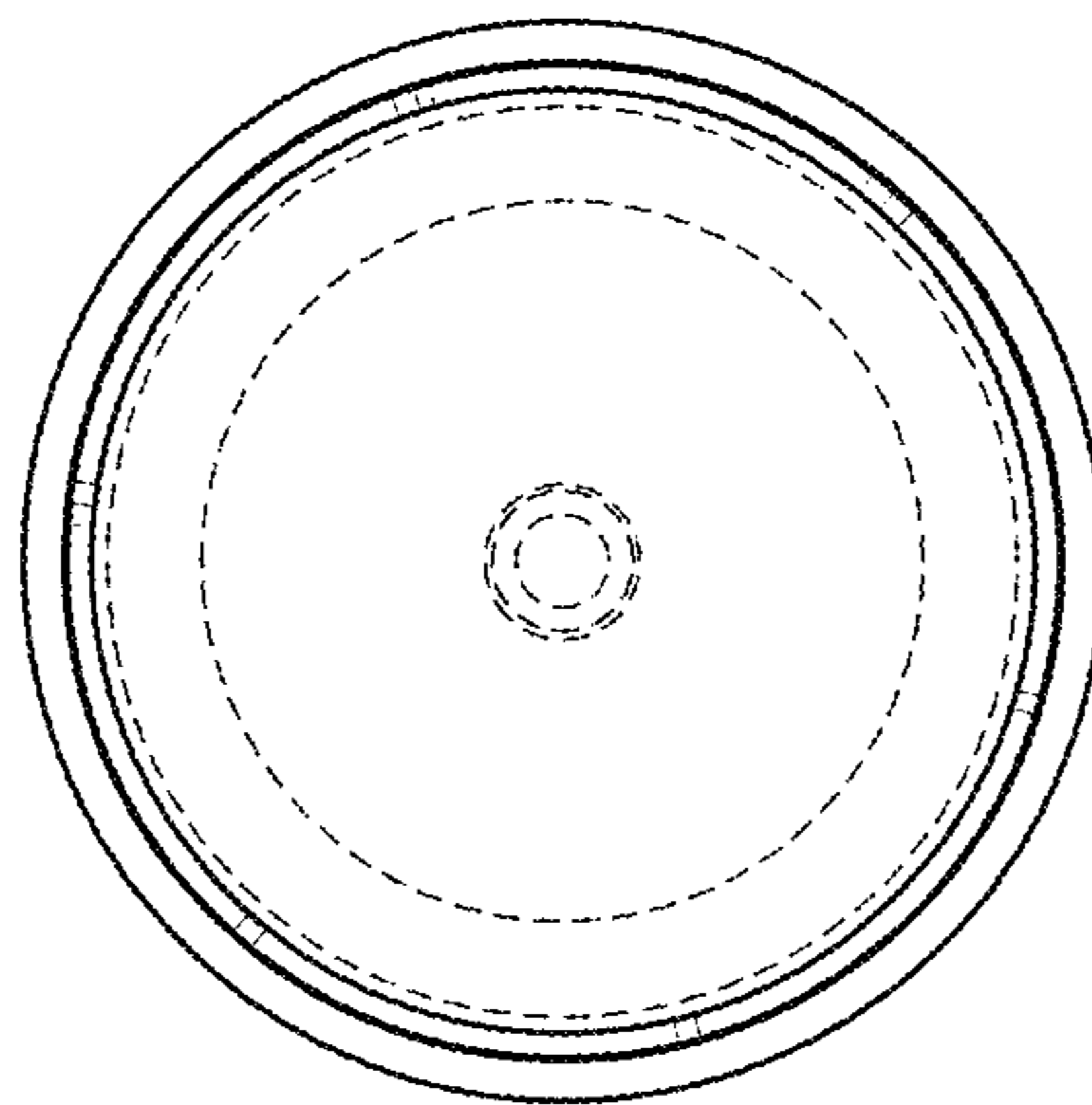


FIG. 10