



US00D929069S

(12) **United States Design Patent** (10) **Patent No.:** **US D929,069 S**  
**Kasai** (45) **Date of Patent:** **\*\* Aug. 24, 2021**

(54) **OPERATING DEVICE FOR HOISTING MACHINE**

(71) Applicant: **KITO CORPORATION**, Yamanashi (JP)

(72) Inventor: **Takayuki Kasai**, Yamanashi (JP)

(73) Assignee: **KITO CORPORATION**, Yamanashi (JP)

(\*\*) Term: **15 Years**

(21) Appl. No.: **29/731,773**

(22) Filed: **Apr. 17, 2020**

(30) **Foreign Application Priority Data**

Oct. 18, 2019 (CN) ..... 201930569544.3

(51) **LOC (13) Cl.** ..... **12-05**

(52) **U.S. Cl.**  
USPC ..... **D34/35**

(58) **Field of Classification Search**  
USPC ..... D34/28–28; D8/367  
CPC .. B66C 1/54; B66C 1/42; B66C 13/16; B66D 3/18

See application file for complete search history.

(56) **References Cited**

**U.S. PATENT DOCUMENTS**

- 4,844,421 A \* 7/1989 Kojima ..... B66C 13/56  
254/270  
4,917,360 A \* 4/1990 Kojima ..... B66C 13/56  
254/362  
5,380,056 A \* 1/1995 Wu ..... B66C 1/34  
254/93 R  
D477,901 S \* 7/2003 Robinson ..... D34/33  
D543,334 S \* 5/2007 Helmetsie ..... D34/35  
D837,477 S \* 1/2019 Huang ..... D34/33

- 2002/0084660 A1\* 7/2002 Webber ..... B66C 1/54  
294/97  
2009/0020492 A1\* 1/2009 DeVos ..... B66D 3/18  
212/275  
2017/0267500 A1\* 9/2017 Lopes ..... G01B 5/30

**OTHER PUBLICATIONS**

Hydraulic Swing, announced 2021 [online], [site visited Mar. 5, 2021]. Available from internet, URL: <https://www.bigrocksupply.com/all-season-equipment-1000-hydraulic-swing-hoist.aspx?feed=Froogle> (Year: 2021).\*

\* cited by examiner

*Primary Examiner* — George A Bugg  
*Assistant Examiner* — Tamara L Hahn  
(74) *Attorney, Agent, or Firm* — Cantor Colburn LLP

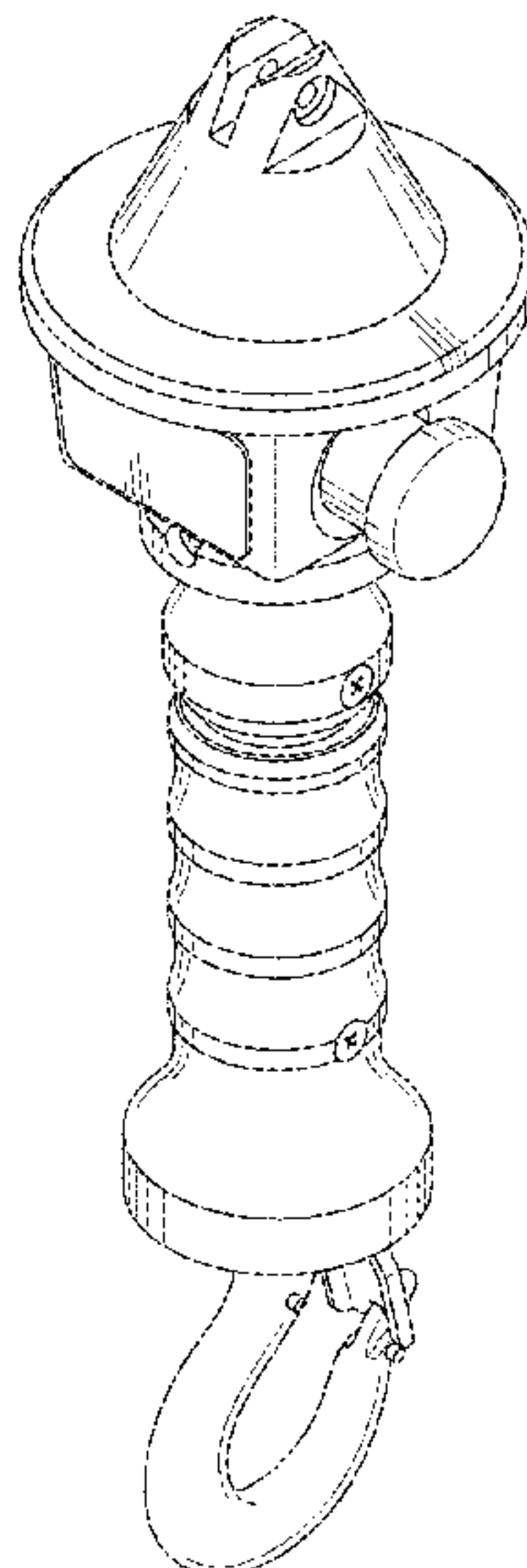
(57) **CLAIM**

The ornamental design for an operating device for hoisting machine, as shown and described.

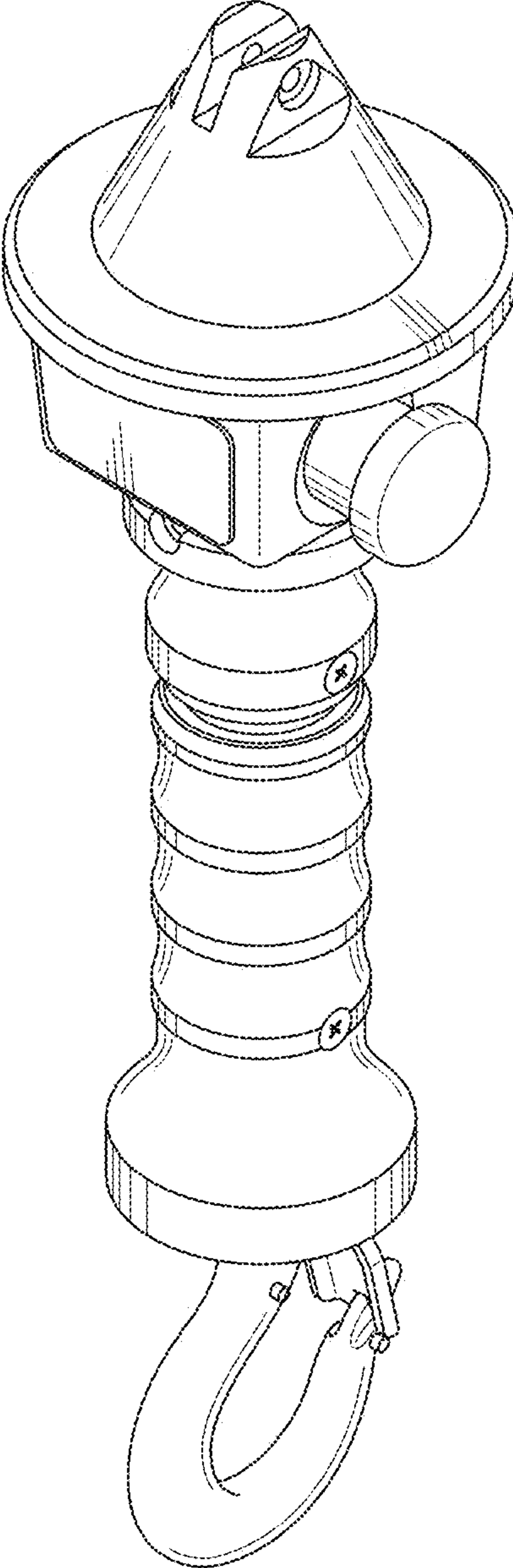
**DESCRIPTION**

FIG. 1 is a rear perspective view of a first embodiment of an operating device for hoisting machine;  
FIG. 2 is a front perspective view of thereof;  
FIG. 3 is a front view thereof;  
FIG. 4 is a rear view thereof;  
FIG. 5 is a left side view thereof;  
FIG. 6 is a right side view thereof;  
FIG. 7 is a top plan view thereof;  
FIG. 8 is a bottom plan view thereof;  
FIG. 9 is a rear perspective view of a second embodiment of an operating device for hoisting machine;  
FIG. 10 is a front perspective view of thereof;  
FIG. 11 is a front view thereof;  
FIG. 12 is a rear view thereof;  
FIG. 13 is a left side view thereof;  
FIG. 14 is a right side view thereof;  
FIG. 15 is a top plan view thereof; and,  
FIG. 16 is a bottom plan view thereof.

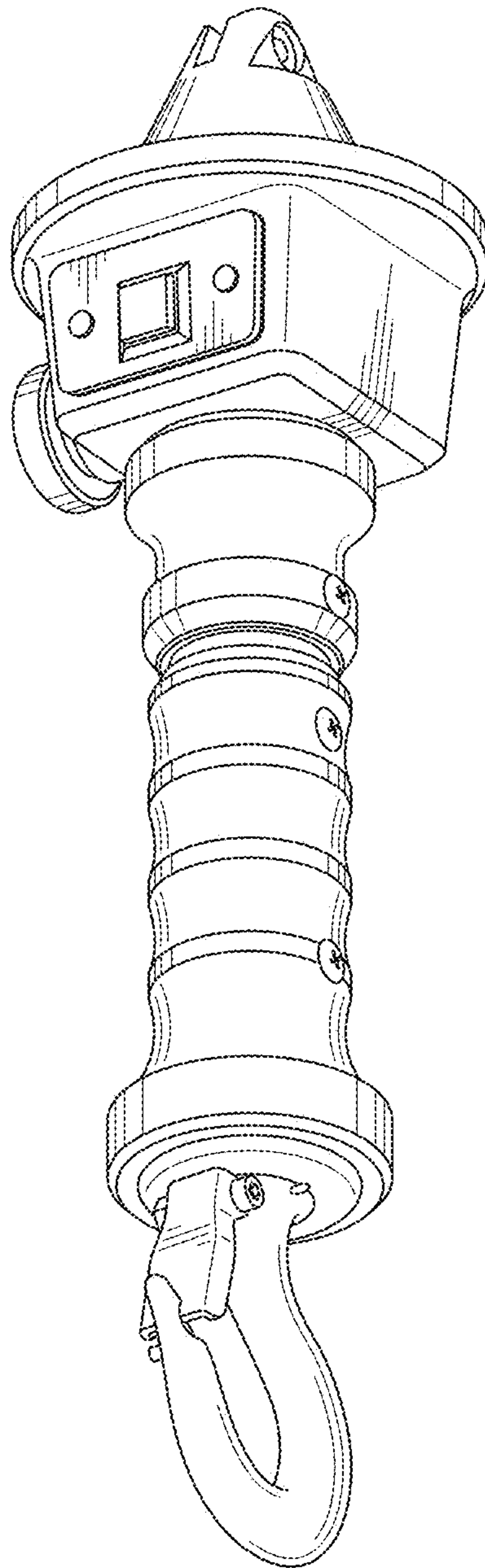
**1 Claim, 16 Drawing Sheets**



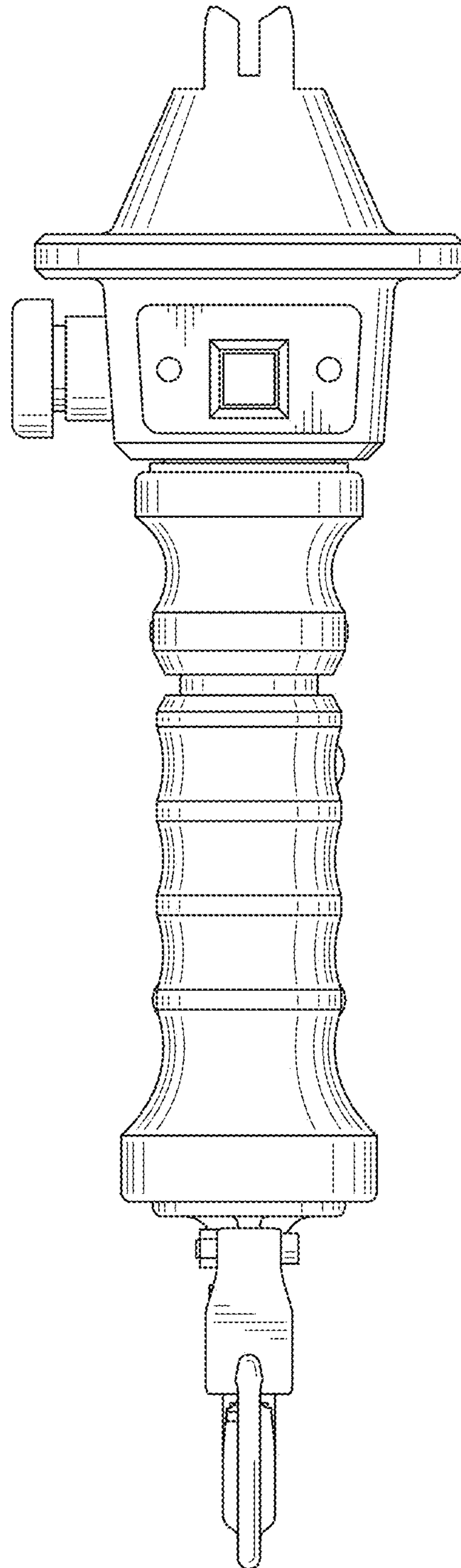
**FIG. 1**



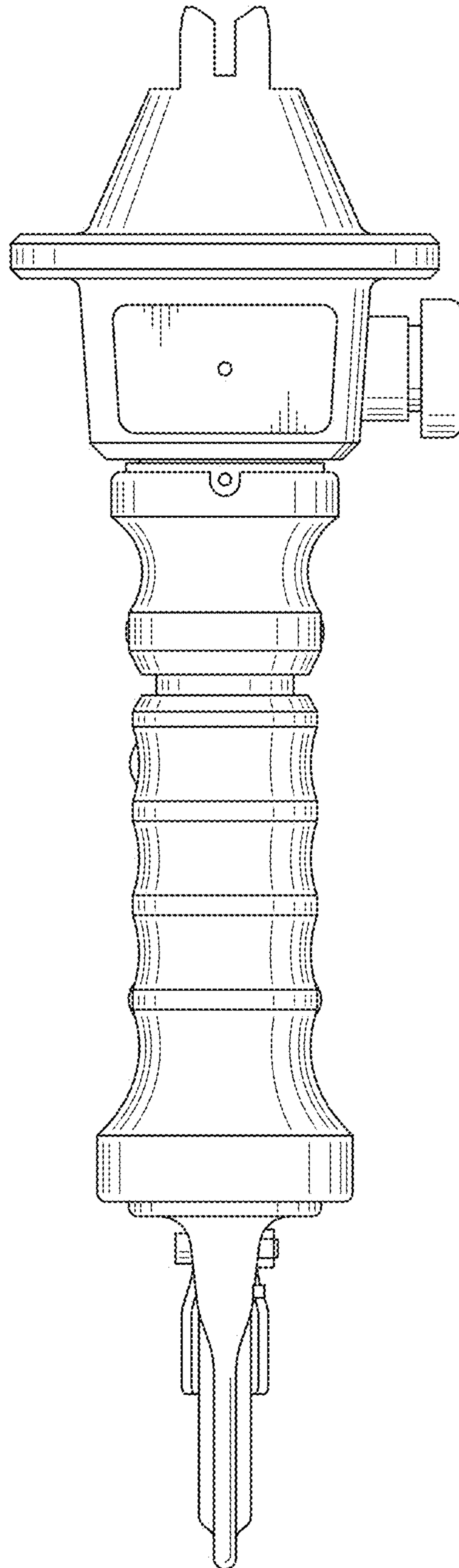
**FIG. 2**



**FIG. 3**

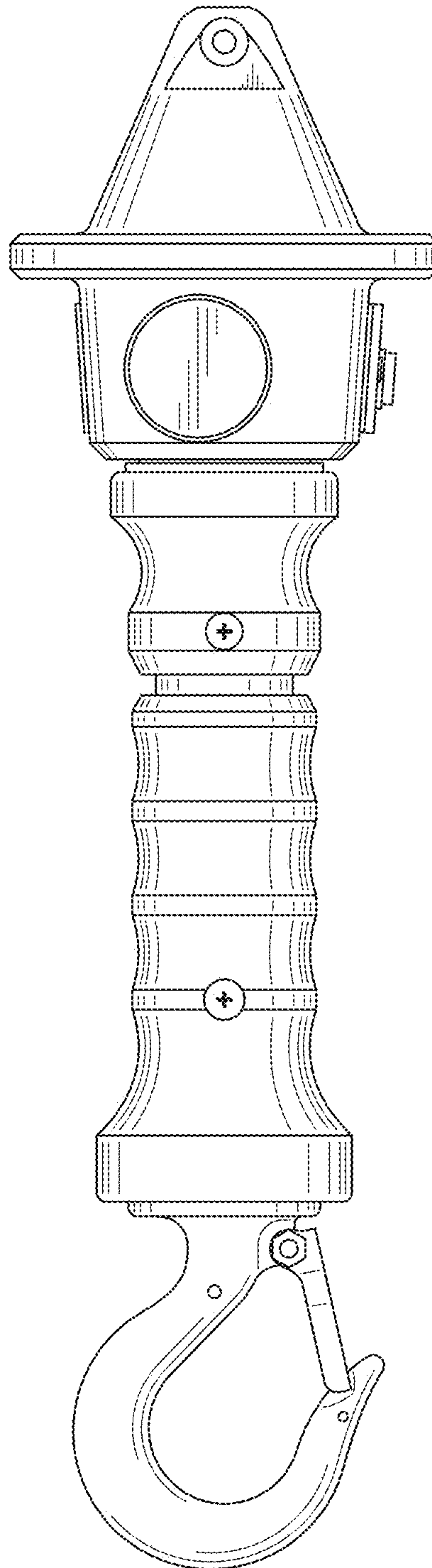


**FIG. 4**

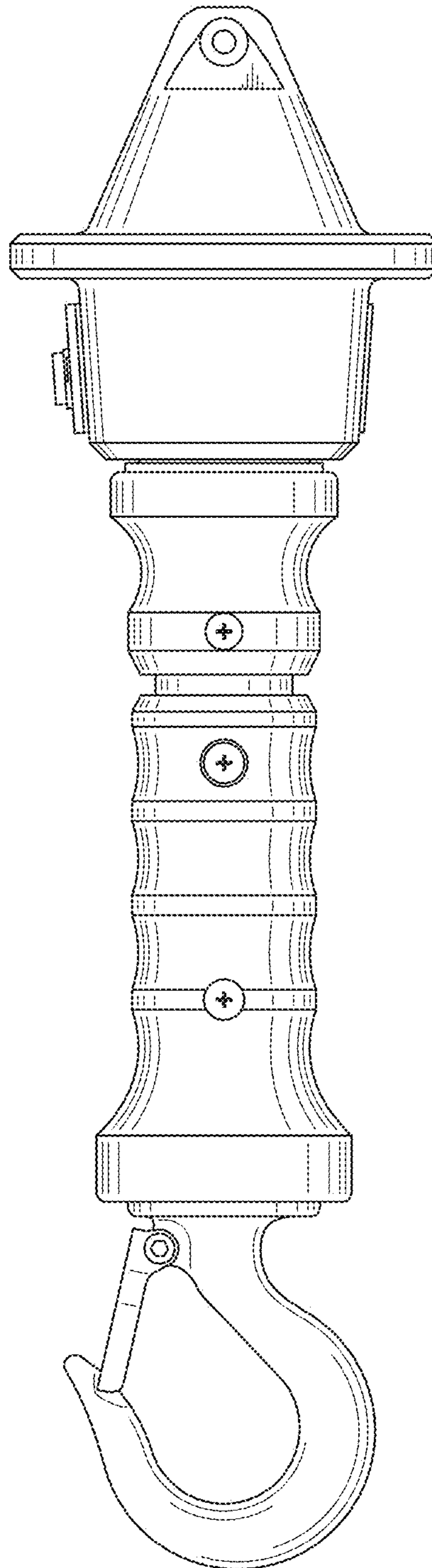




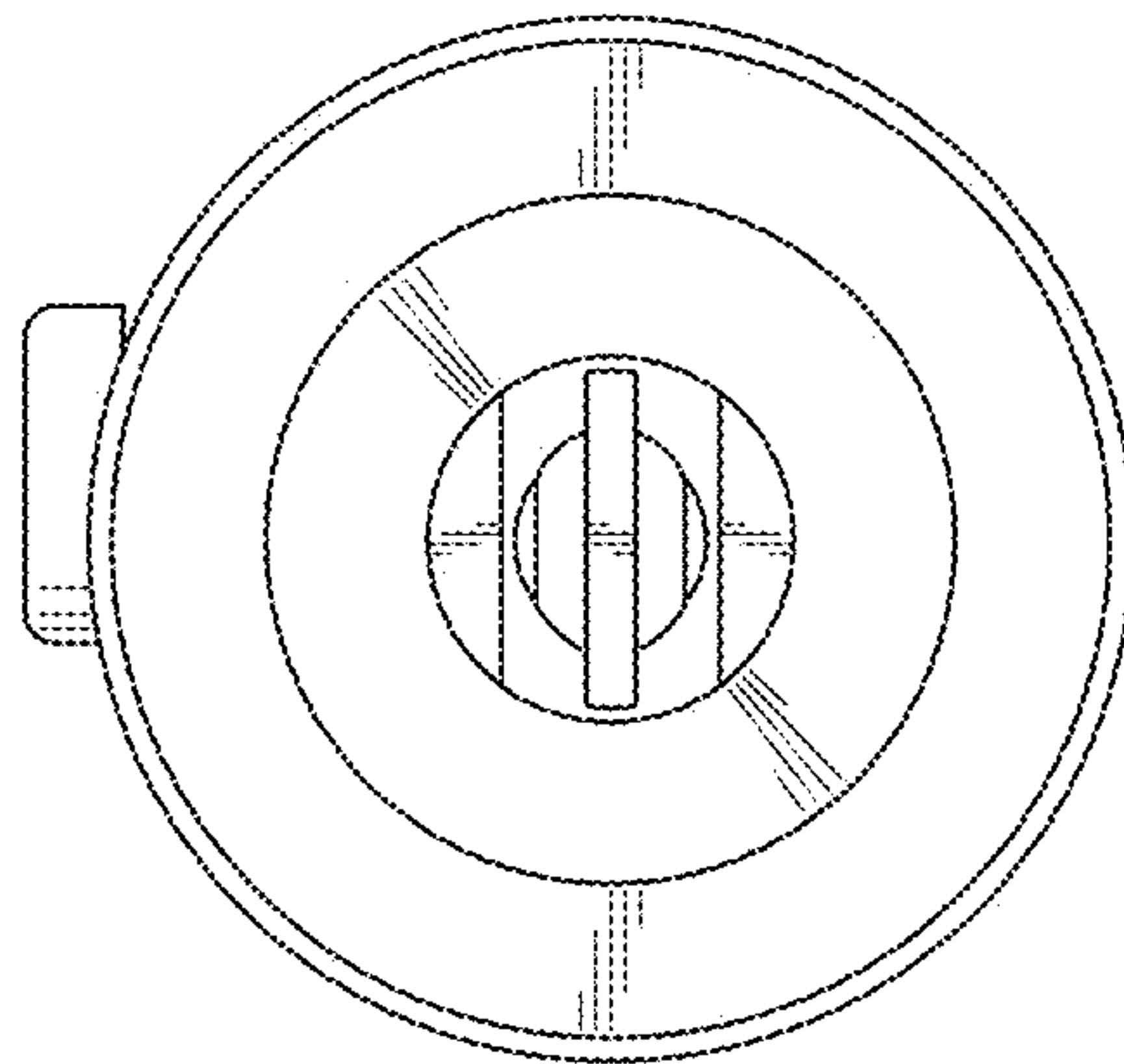
**FIG. 5**



**FIG. 6**

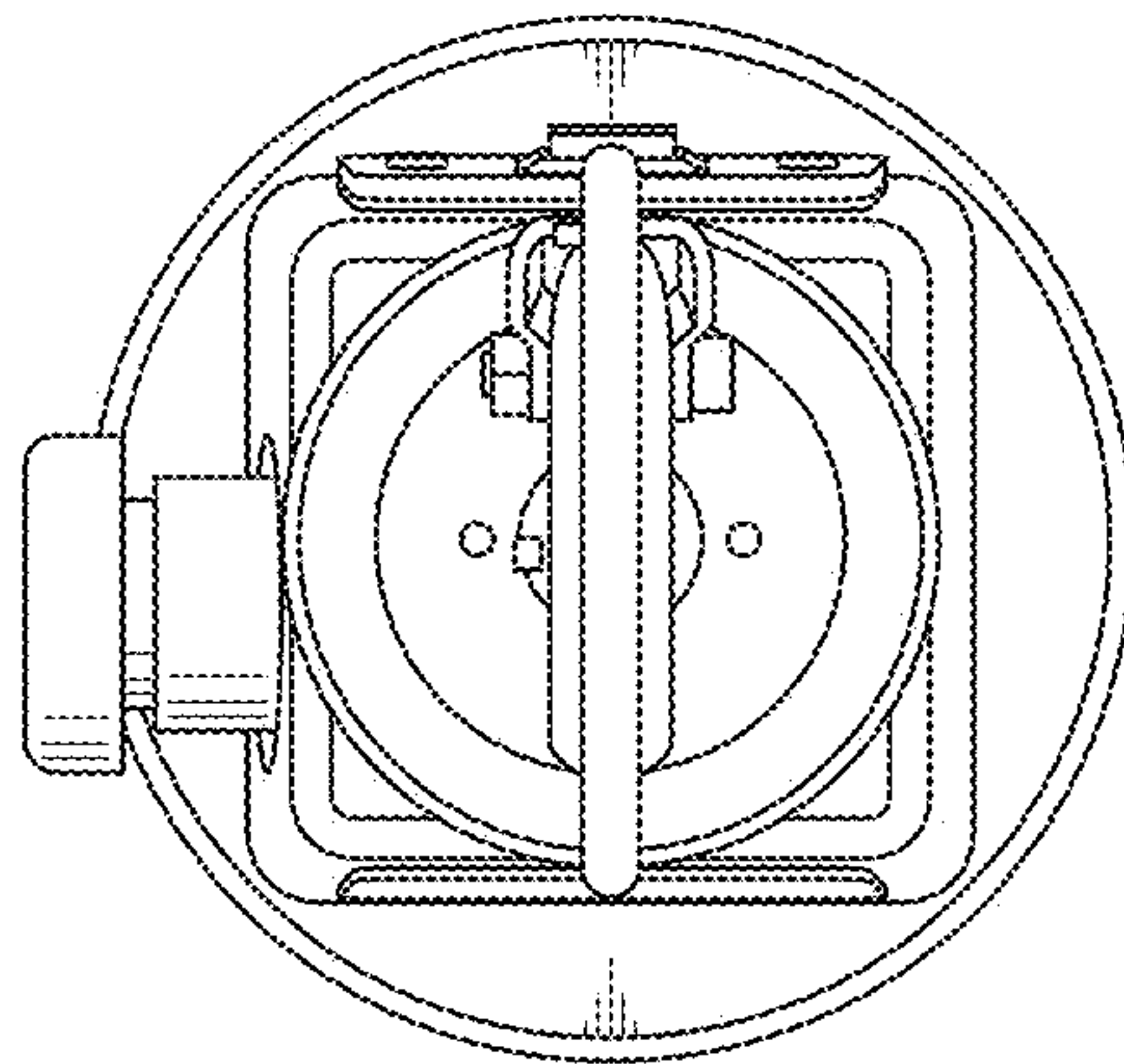


**FIG. 7**

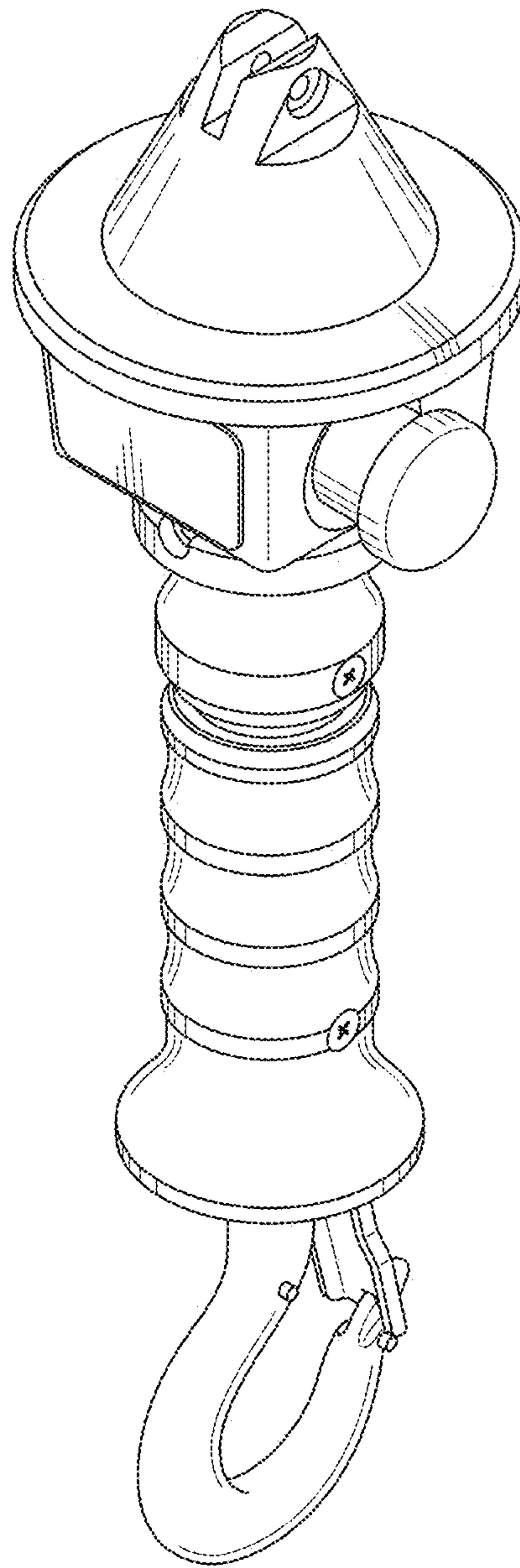




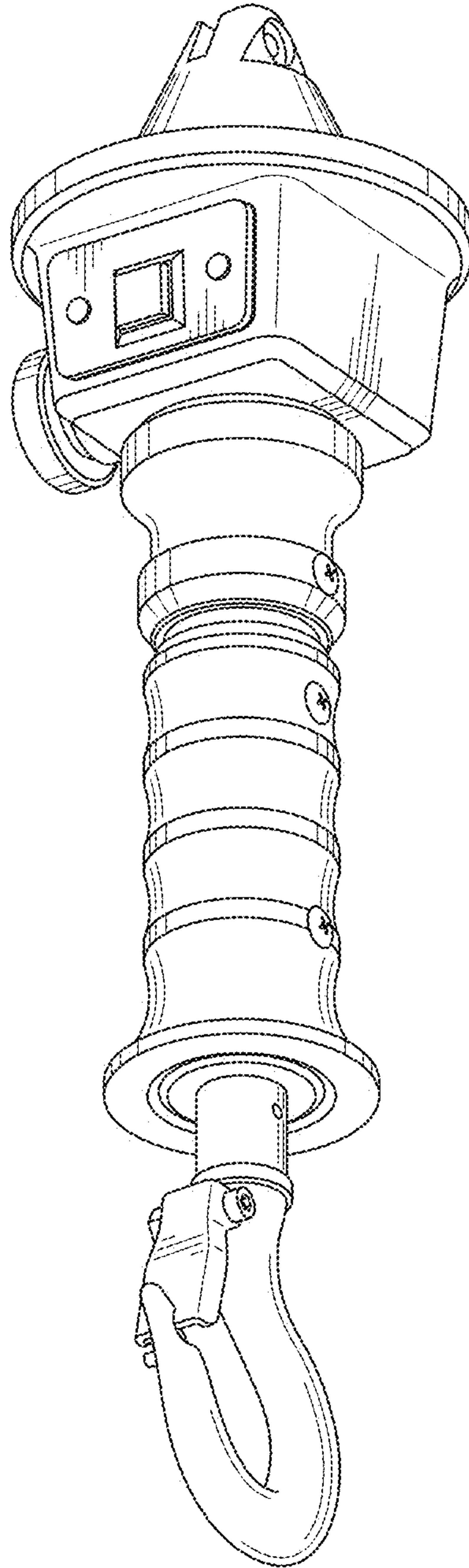
**FIG. 8**



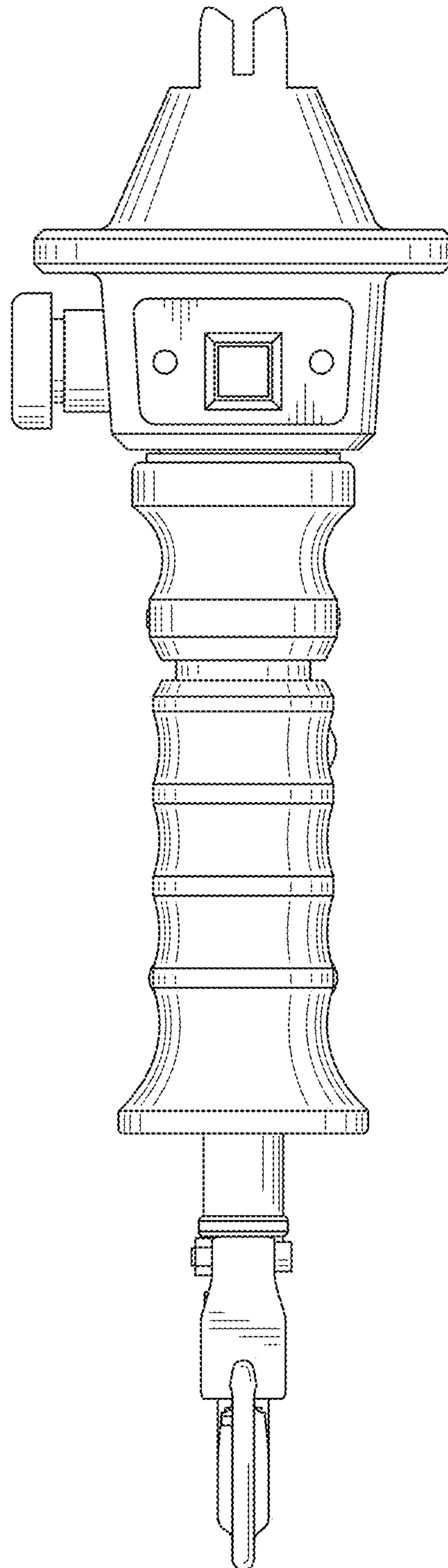
**FIG. 9**



**FIG. 10**



**FIG. 11**



**FIG. 12**

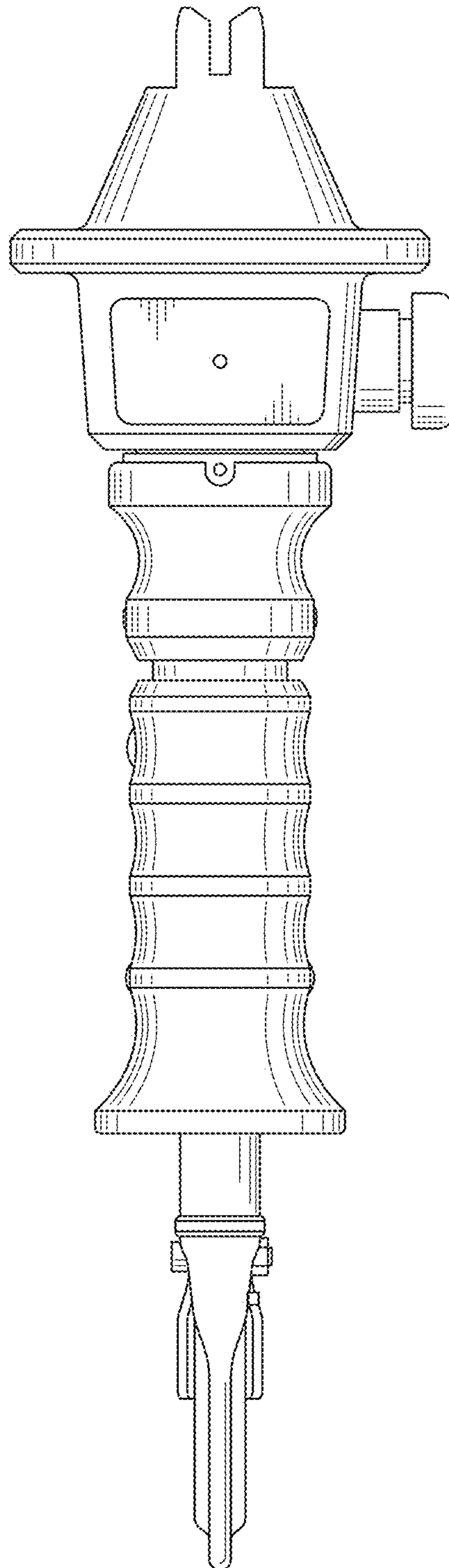


FIG. 13

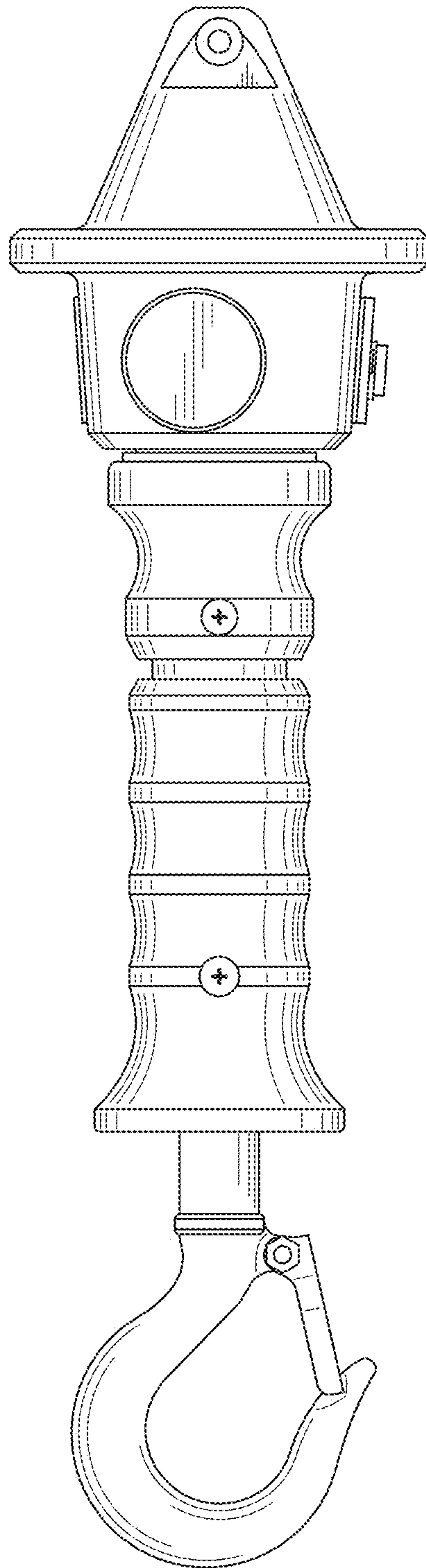
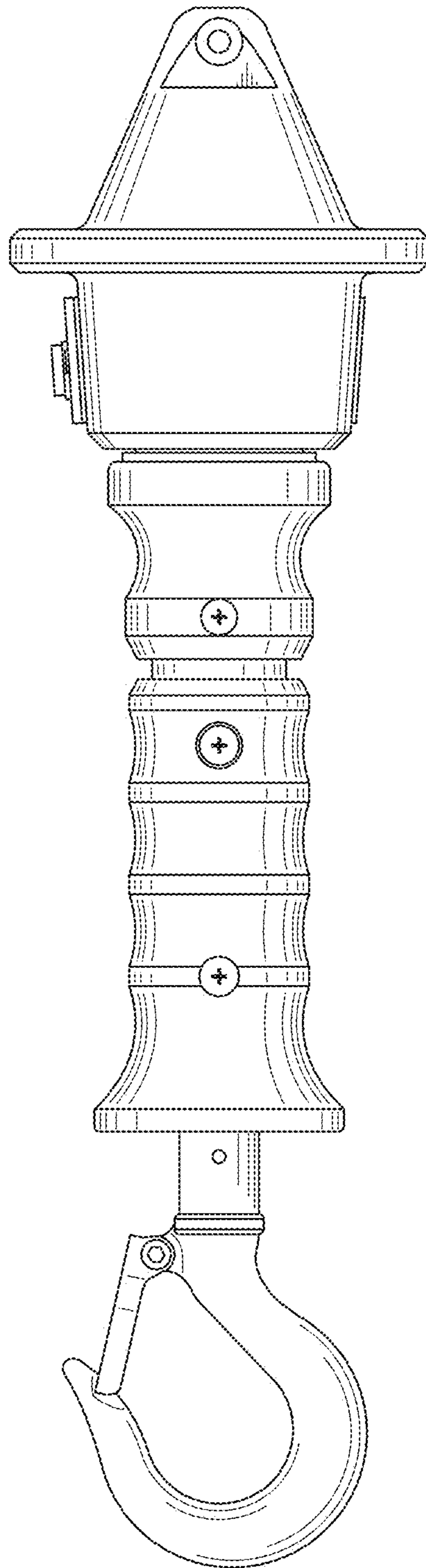
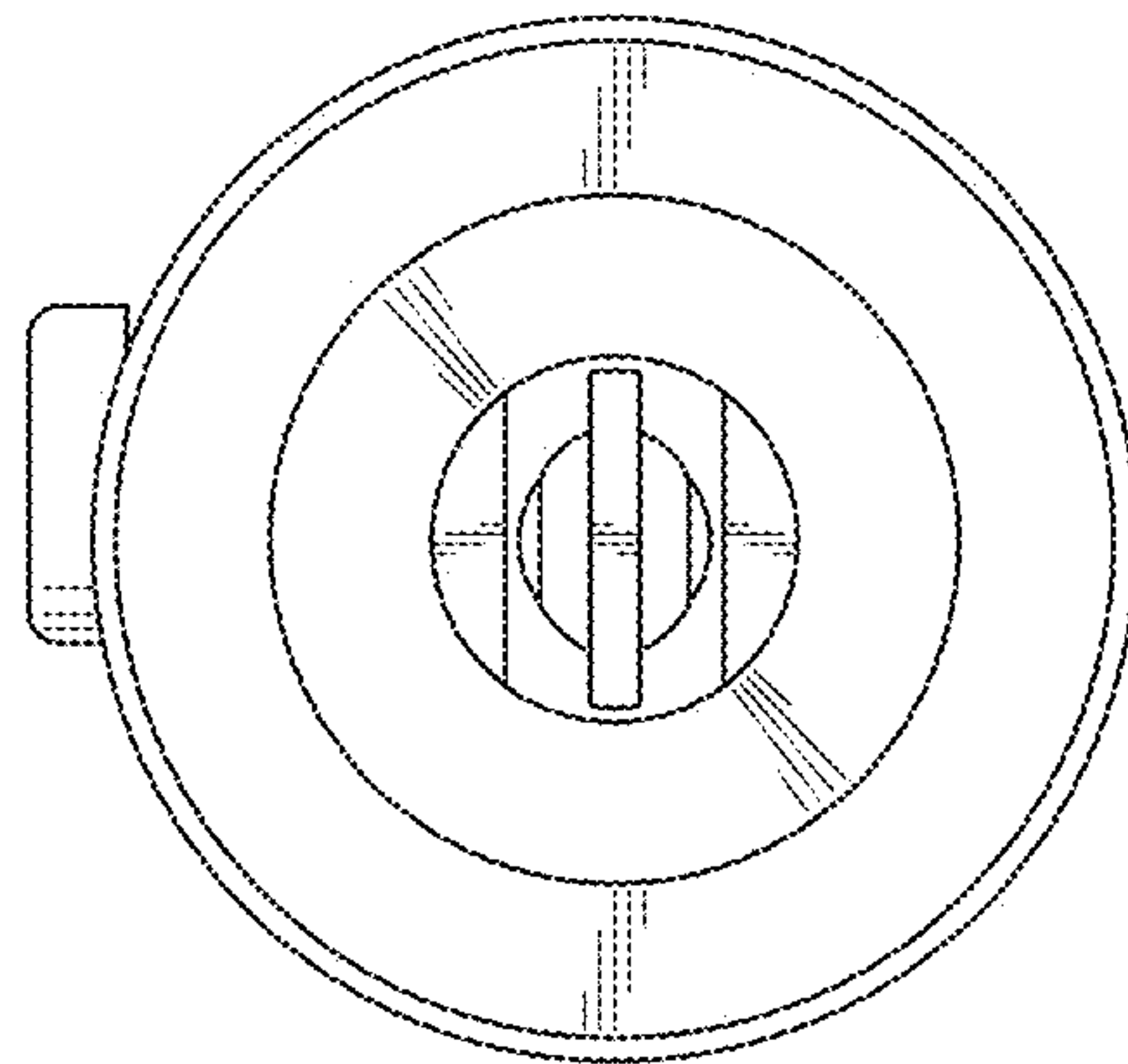




FIG. 14



**FIG. 15**



**FIG. 16**

