



US00D929066S

(12) **United States Design Patent**  
**Nicholson**

(10) **Patent No.:** **US D929,066 S**

(45) **Date of Patent:** **\*\* Aug. 24, 2021**

(54) **NARROW FOOD SERVICE CONTAINER**

(71) Applicant: **Cambro Manufacturing Company,**  
Huntington Beach, CA (US)

(72) Inventor: **Jeff Nicholson,** Long Beach, CA (US)

(73) Assignee: **CAMBRO MANUFACTURING**  
**COMPANY,** Huntington Beach, CA  
(US)

(\*\*) Term: **15 Years**

(21) Appl. No.: **29/709,678**

(22) Filed: **Oct. 16, 2019**

(51) **LOC (13) Cl.** ..... **12-02**

(52) **U.S. Cl.**  
USPC ..... **D34/21**

(58) **Field of Classification Search**  
USPC ..... D34/12-27  
CPC .. B64D 11/0007; B64D 11/04; B62B 2202/67  
See application file for complete search history.

(56) **References Cited**

**U.S. PATENT DOCUMENTS**

D349,594 S *	8/1994	Bonazza	.....	D34/19
D381,166 S *	7/1997	Bonazza	.....	D34/19
D398,727 S *	9/1998	Maddux	.....	D34/19
D411,678 S *	6/1999	Di Paolo	.....	D34/21
D440,369 S *	4/2001	LaFollette, Jr.	.....	D34/19
D647,272 S *	10/2011	Boivin	.....	D34/19

D661,043 S *	5/2012	Brands	.....	D34/19
D679,467 S *	4/2013	Nicholson	.....	D34/19
D679,468 S *	4/2013	Nicholson	.....	D34/19
D697,685 S *	1/2014	Maddux	.....	D34/19
9,161,620 B2 *	10/2015	Nicholson	.....	E05C 1/14
D822,932 S *	7/2018	Burns	.....	D34/5
D903,967 S *	12/2020	Gjovik	.....	D34/19
2018/0297706 A1 *	10/2018	Beets	.....	B64D 11/04
2018/0346122 A1 *	12/2018	Kzrak	.....	B62B 3/005

\* cited by examiner

*Primary Examiner* — George A Bugg

*Assistant Examiner* — Tamara L Hahn

(74) *Attorney, Agent, or Firm* — George Bethel

(57) **CLAIM**

The ornamental design for a narrow food service container, as shown and described in the FIGURES.

**DESCRIPTION**

FIG. 1 is a perspective view of the narrow food service container.

FIG. 2 is a front elevation view thereof.

FIG. 3 is a rear elevation view thereof.

FIG. 4 is a right side elevation view thereof.

FIG. 5 is a left side elevation view thereof.

FIG. 6 is a top plan view thereof.

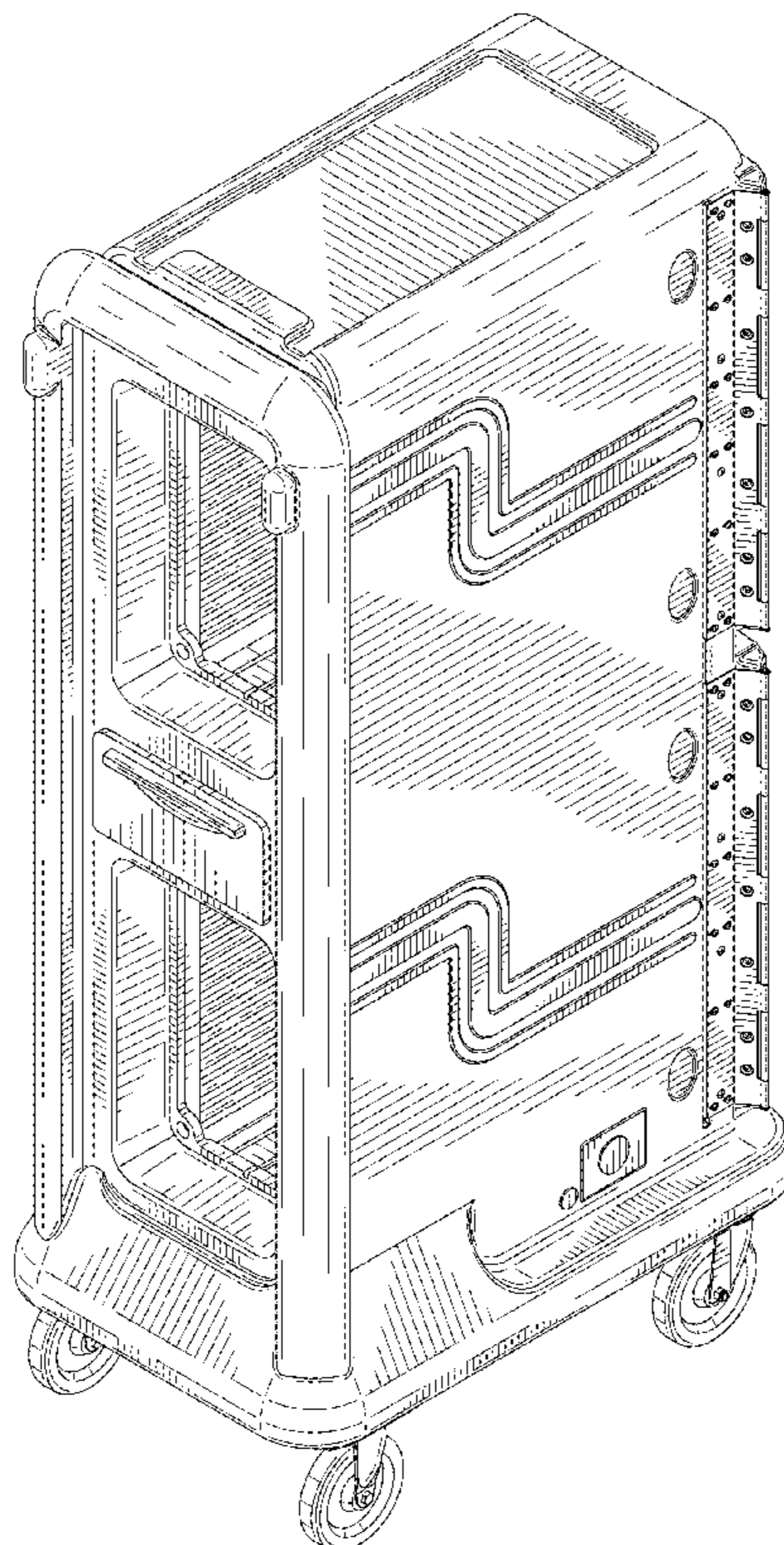
FIG. 7 is a bottom plan view thereof.

FIG. 8 is a bottom perspective view thereof.

FIG. 9 is a sectional view along lines 9-9 of FIG. 3; and,

FIG. 10 is a sectional view along lines 10-10 of FIG. 5.

**1 Claim, 7 Drawing Sheets**



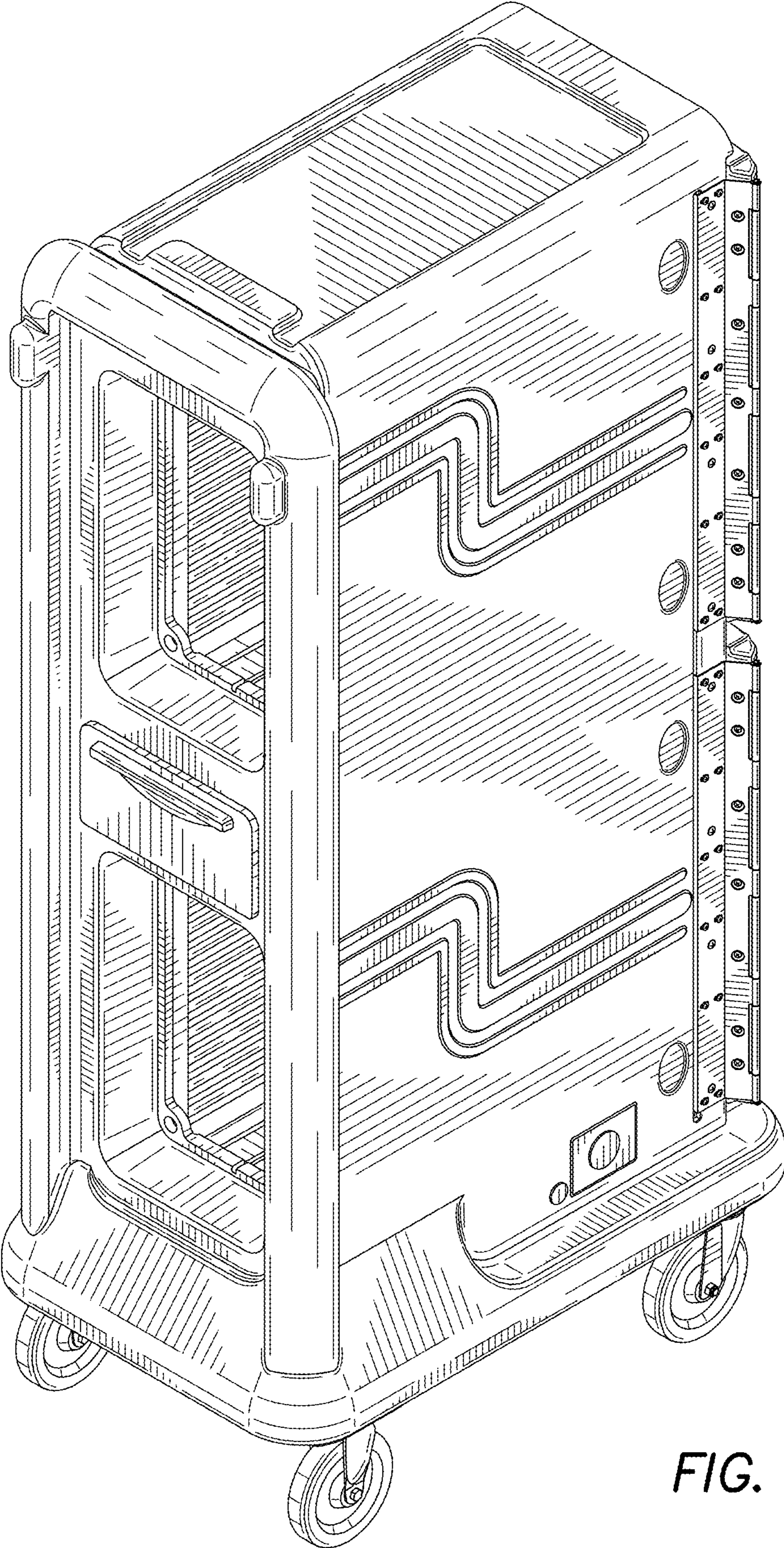


FIG. 1

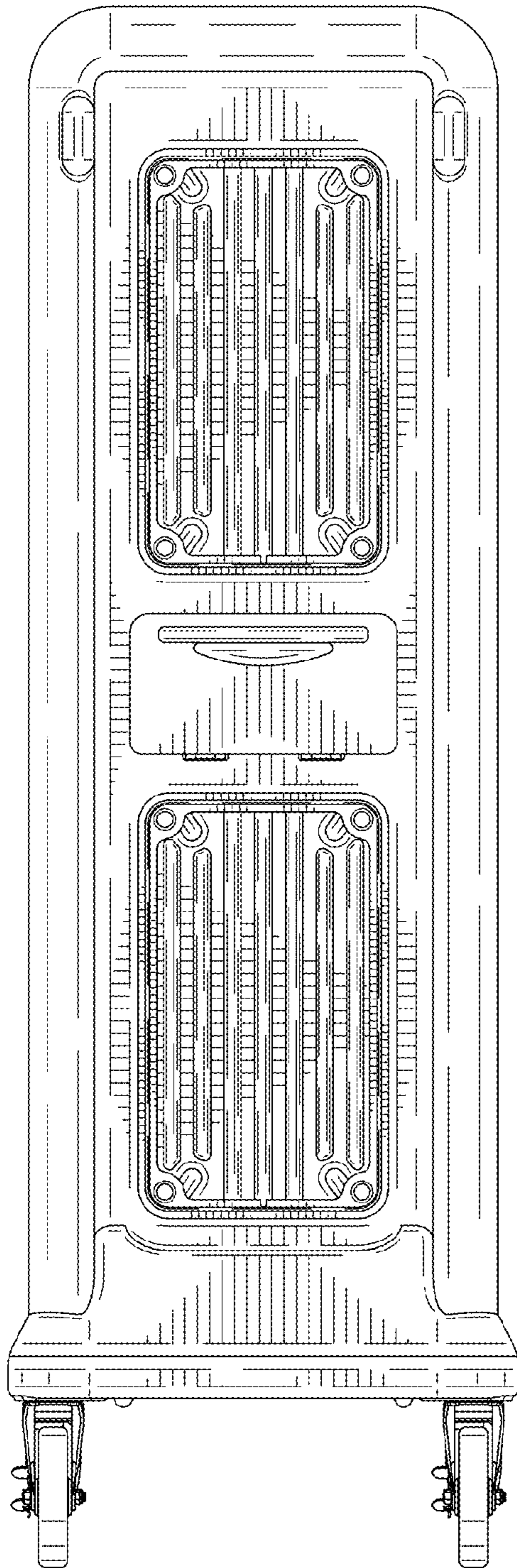


FIG. 2

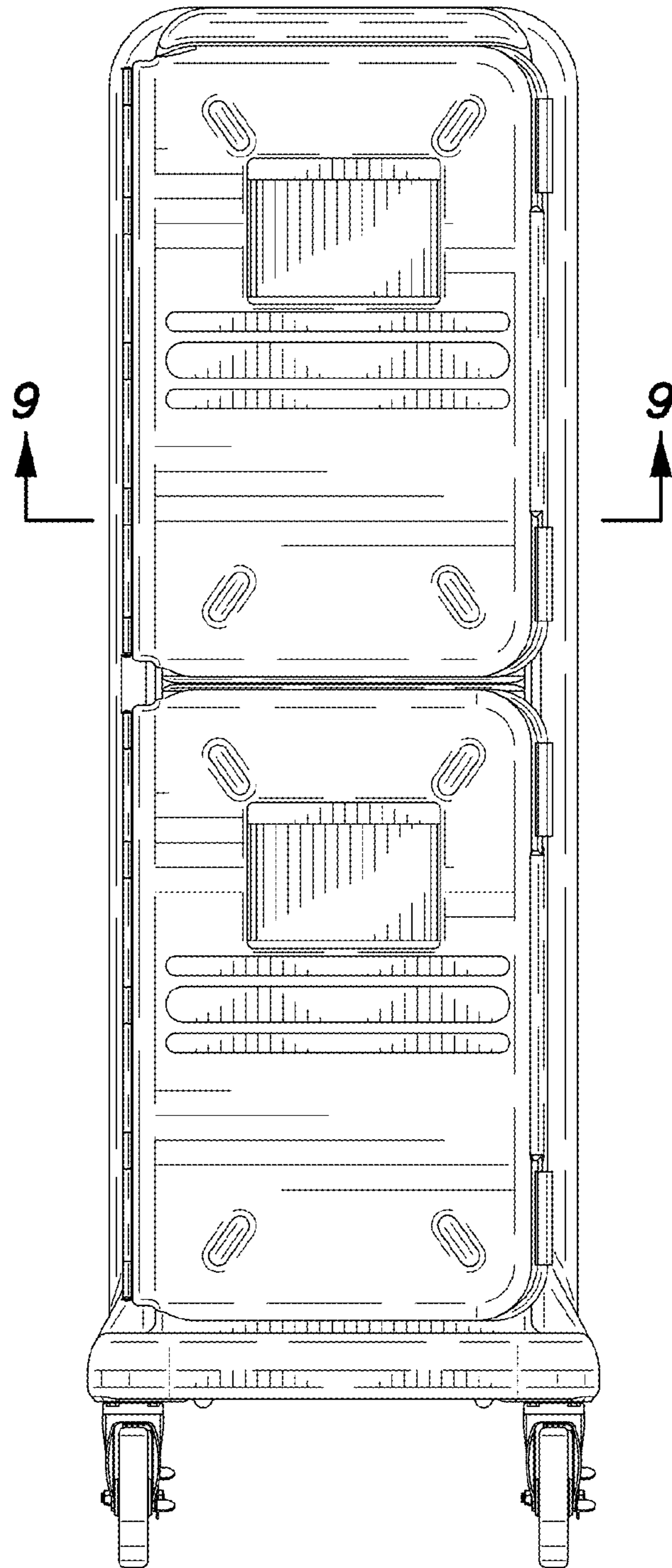


FIG. 3

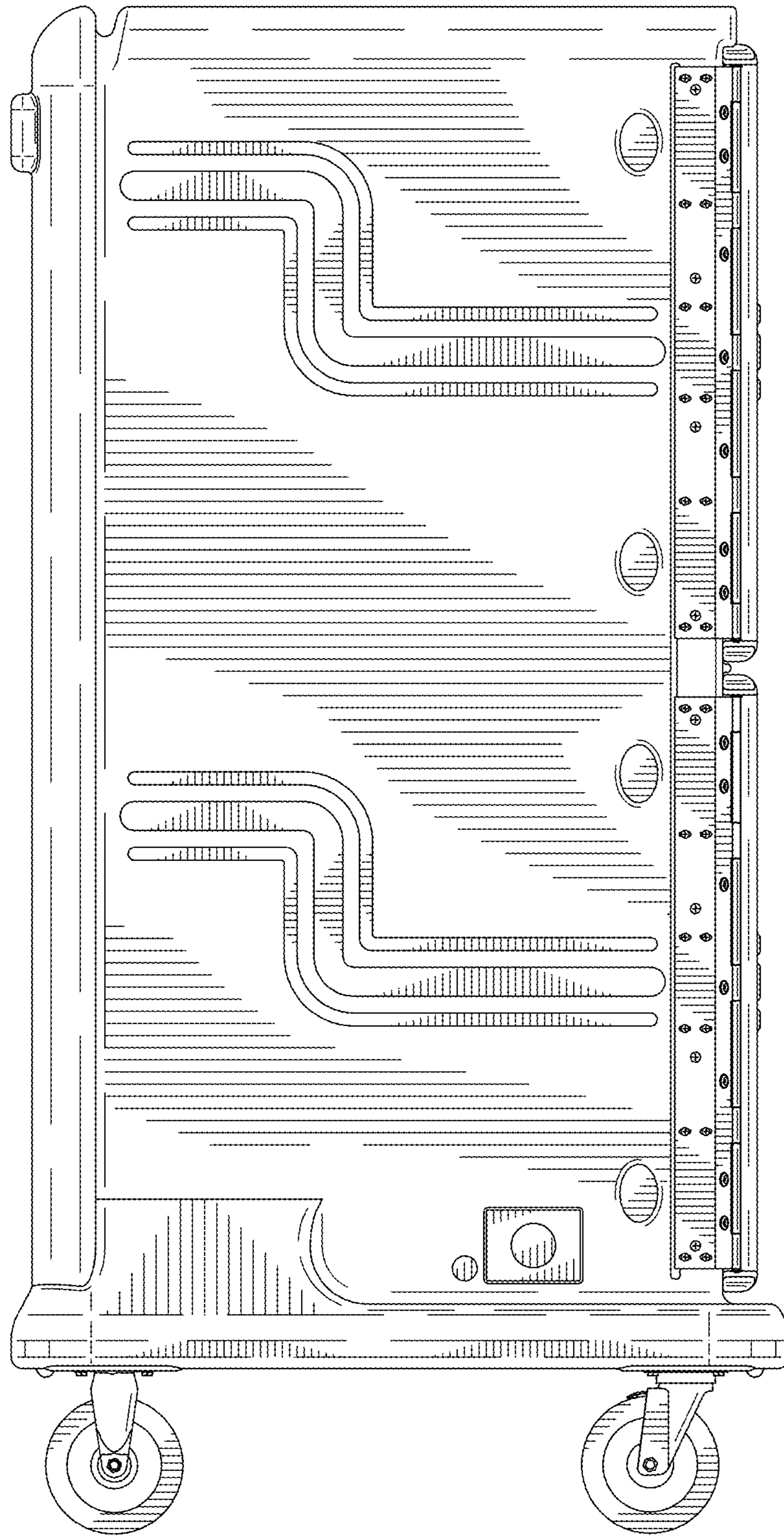


FIG. 4

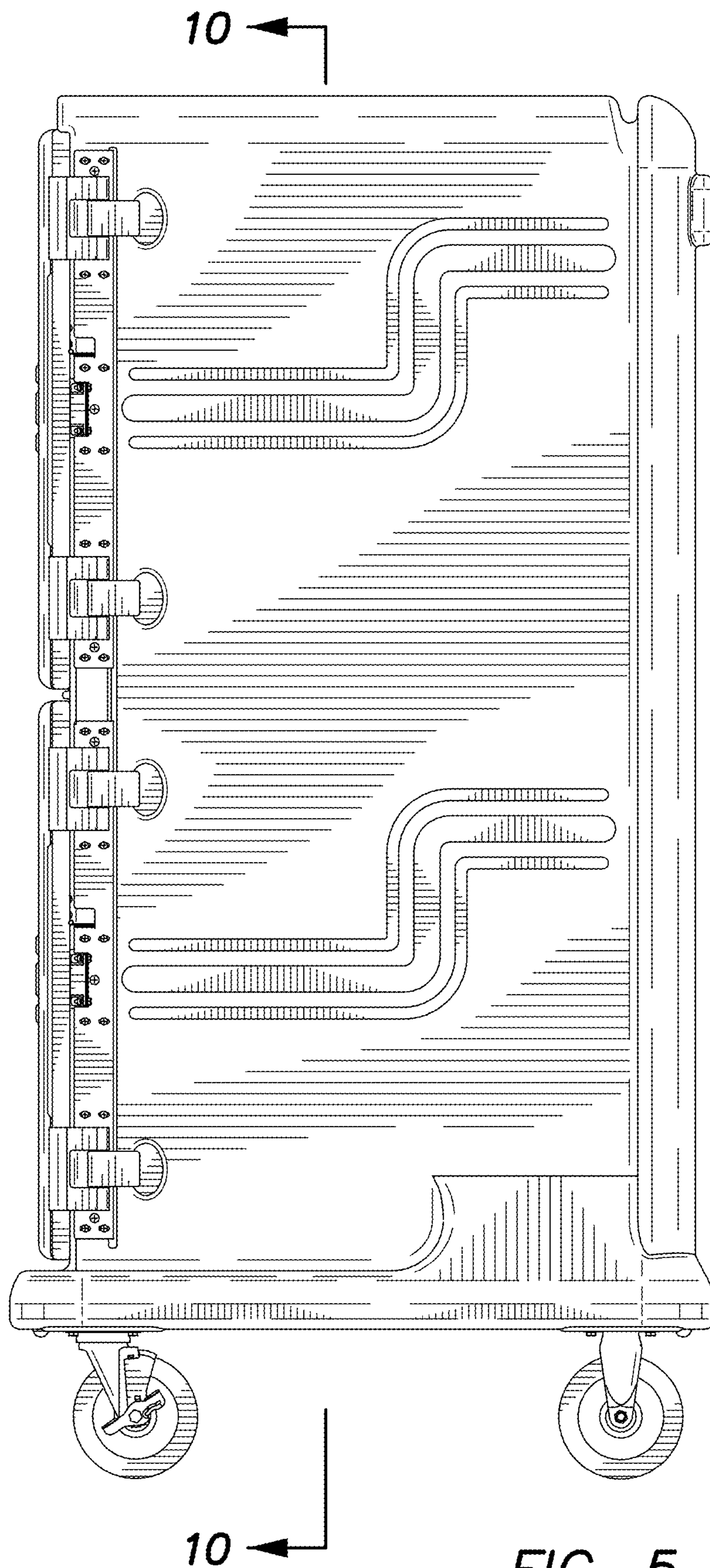


FIG. 5

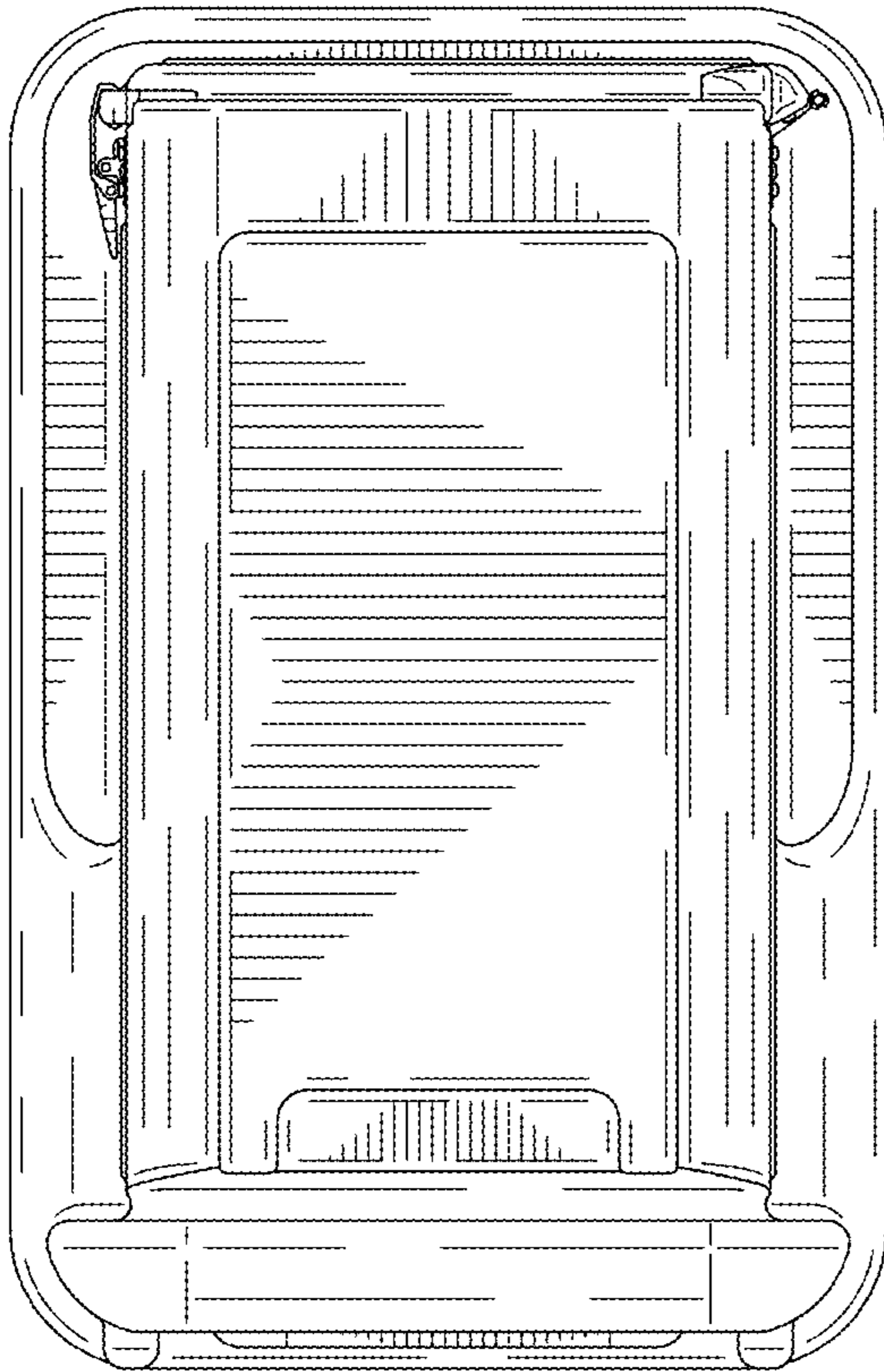


FIG. 6

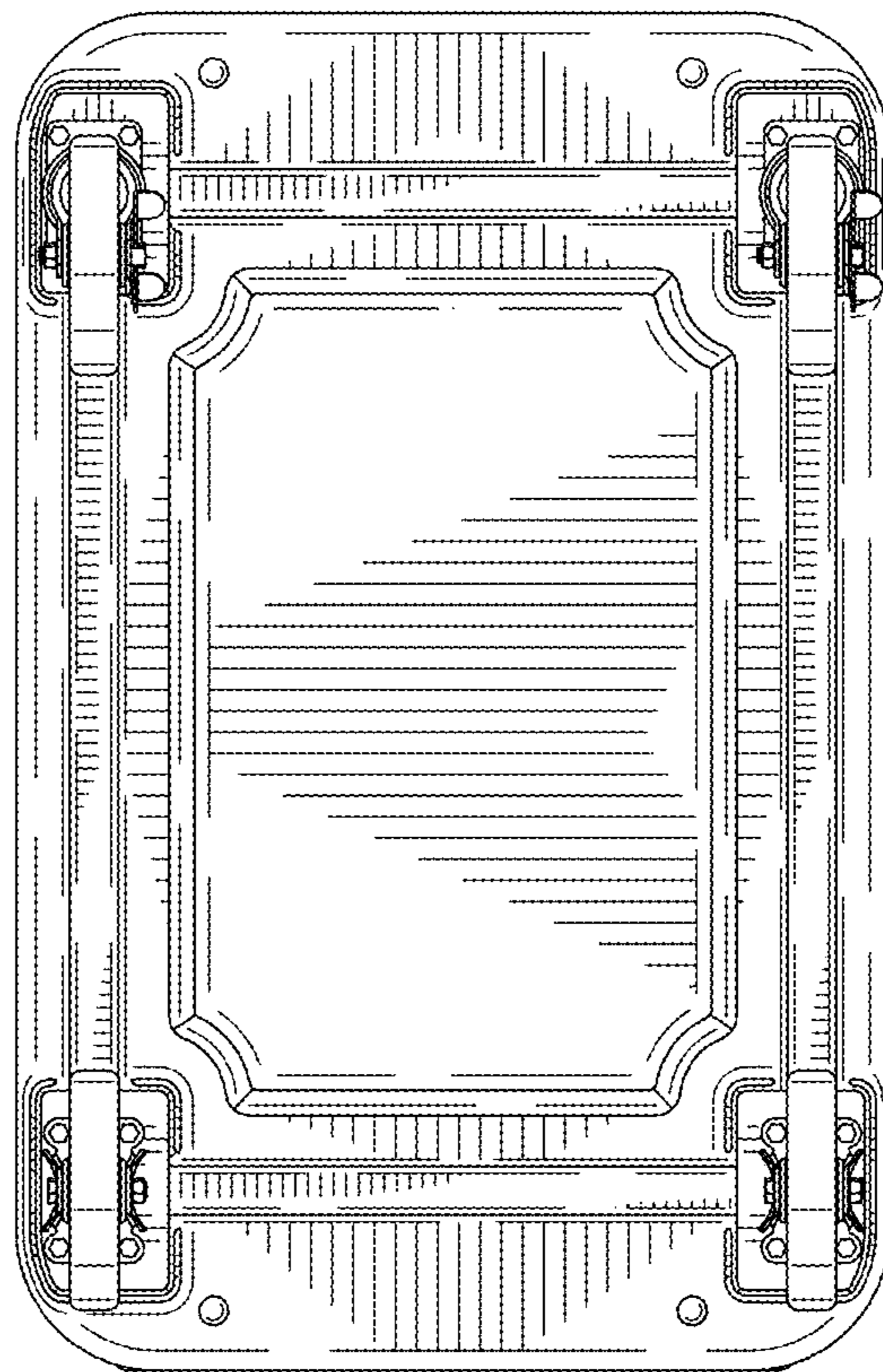


FIG. 7

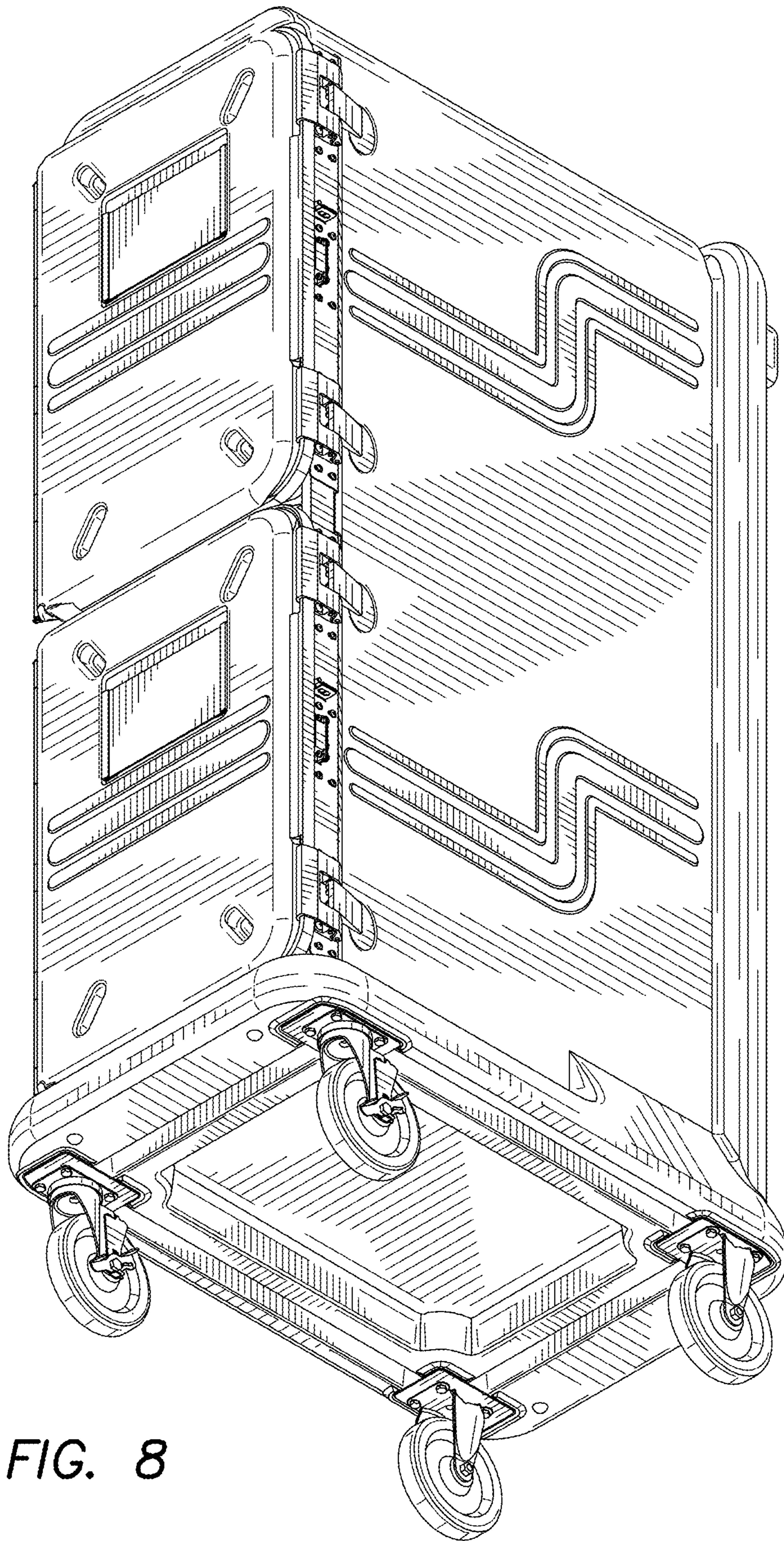


FIG. 8

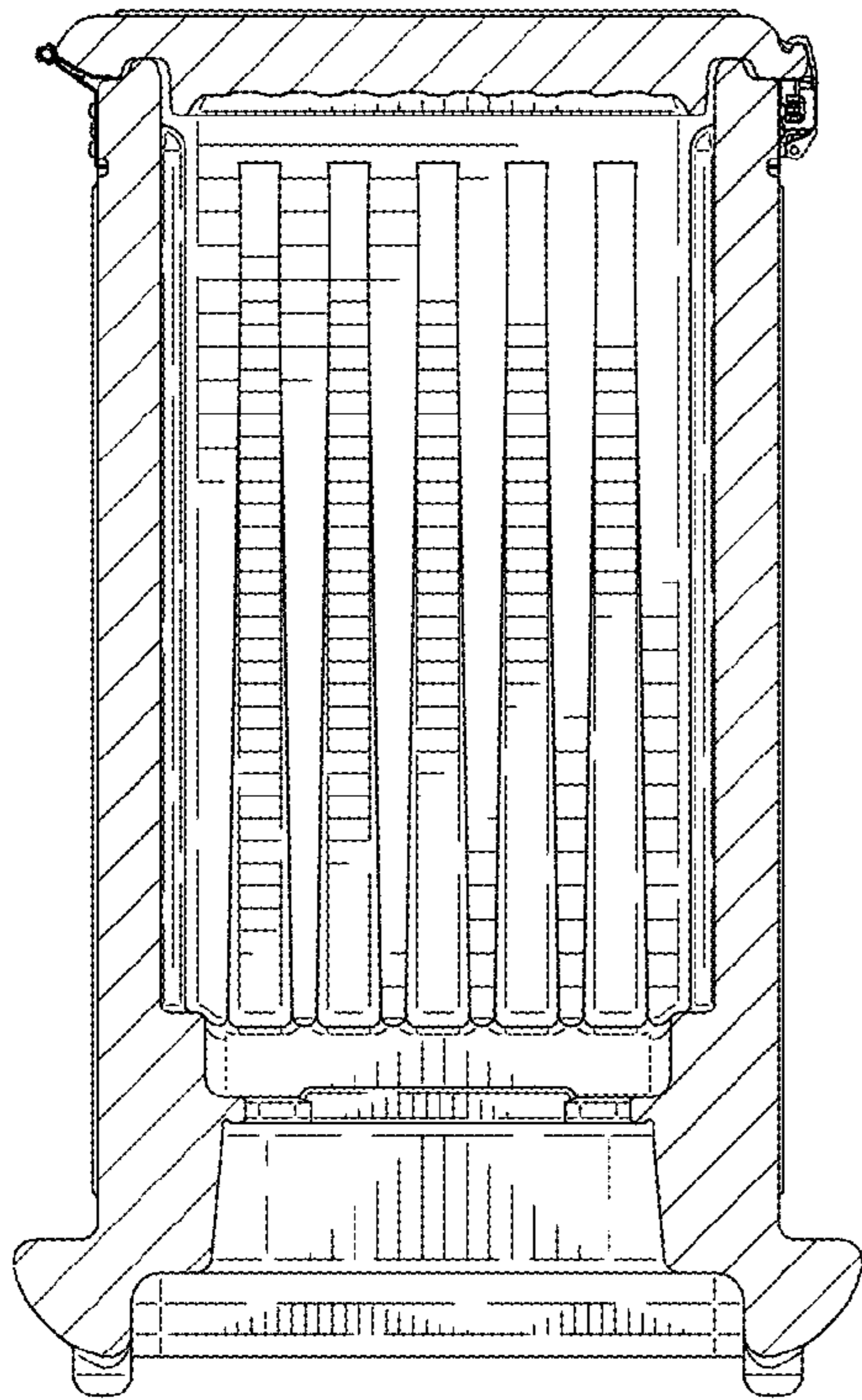


FIG. 9

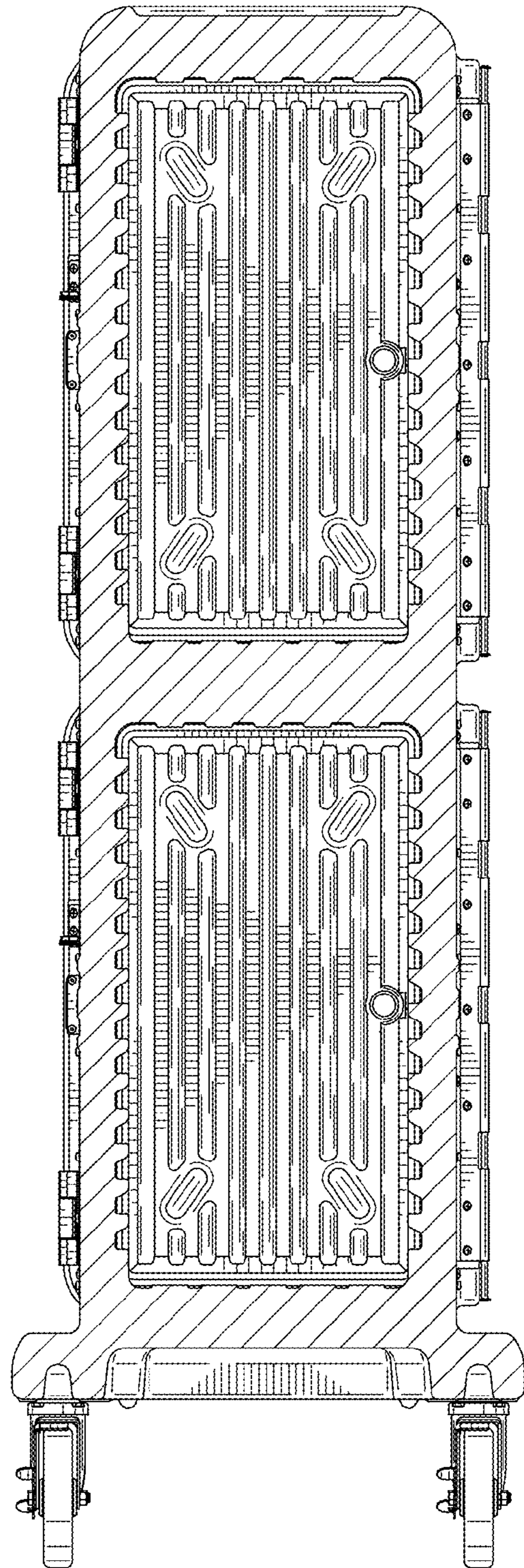


FIG. 10