



US00D929065S

(12) **United States Design Patent** (10) **Patent No.:** **US D929,065 S**  
**Gasche et al.** (45) **Date of Patent:** **\*\* Aug. 24, 2021**

(54) **SHOPPING BASKET**  
(71) Applicant: **WANZL GMBH & CO. KGAA,**  
Leipheim (DE)  
(72) Inventors: **Thomas Gasche,** Leipheim (DE);  
**Dieter Stoeckle,** Landensberg (DE)  
(73) Assignee: **WANZL GMBH & CO. KGAA,**  
Leipheim (DE)

D634,501 S \* 3/2011 Overland ..... D34/19  
D773,770 S \* 12/2016 Olmos ..... D34/17  
D802,925 S \* 11/2017 Cassel ..... D3/304  
D805,709 S \* 12/2017 Olmos Aquilue ..... D34/17  
D846,823 S \* 4/2019 Villanova Abadia ..... D34/17  
2008/0309036 A1\* 12/2008 Overland ..... A45C 3/04  
280/33.992  
2012/0326405 A1\* 12/2012 Overland ..... B62B 1/125  
280/33.998  
2015/0321688 A1\* 11/2015 Morcillo Barjola .... B62B 5/067  
280/33.998

(\*\*) Term: **15 Years**  
(21) Appl. No.: **29/712,069**  
(22) Filed: **Nov. 5, 2019**

(30) **Foreign Application Priority Data**

May 6, 2019 (EM) ..... 006427373-0001

(51) **LOC (13) Cl.** ..... **12-02**  
(52) **U.S. Cl.**  
USPC ..... **D34/17**

(58) **Field of Classification Search**  
USPC ..... D34/12-27  
CPC ..... B62B 1/112; B62B 1/006; B62B 1/262;  
B62B 1/264; B62B 1/14; B62B 1/125;  
B62B 3/002; B62B 3/005; B62B 3/027;  
B62B 3/1408; B62B 3/146; B62B 3/142;  
B62B 3/02; B62B 3/10; B62B 3/12;  
B62B 3/14; B62B 3/1492; B62B 3/165;  
B62B 5/06; B62B 5/067  
See application file for complete search history.

(56) **References Cited**

**U.S. PATENT DOCUMENTS**

D563,620 S \* 3/2008 Dong ..... D32/37  
D631,222 S \* 1/2011 Gimeno ..... B62B 1/125  
D34/24

**OTHER PUBLICATIONS**

Google search shopping baskets with wheels. Feb. 11, 2021, United shopping carts-Extra large shopping basket 4 wheels, <http://united-shoppingcarts.com/product/extra-large-shopping-basket-4-wheels/> (Year: 2021).\*

\* cited by examiner

*Primary Examiner* — Cynthia Ramirez  
(74) *Attorney, Agent, or Firm* — McCoy Russell LLP

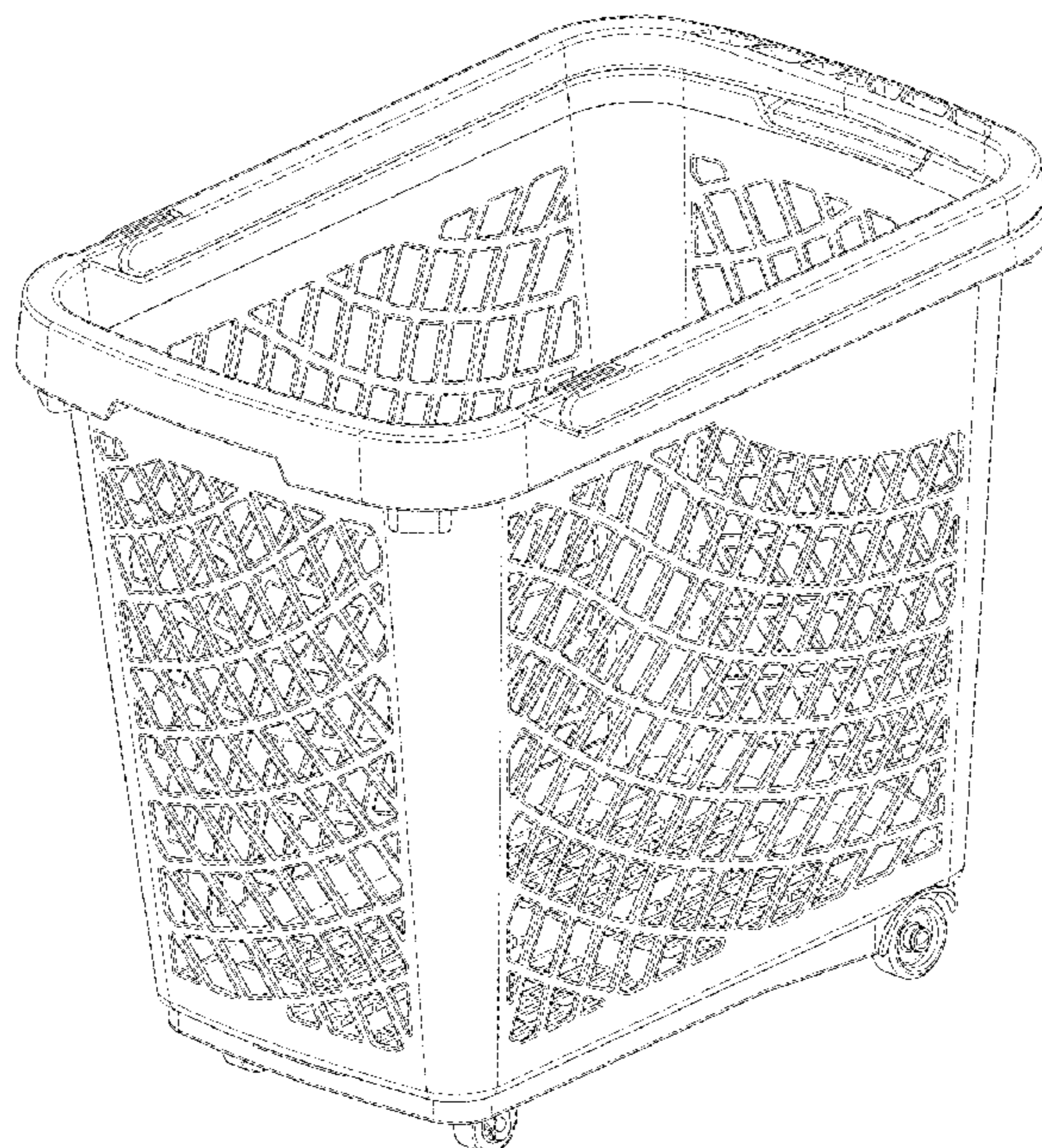
(57) **CLAIM**

The ornamental design for a shopping basket, as shown and described.

**DESCRIPTION**

FIG. 1 is a front-left perspective view of a shopping basket according to the claimed design.  
FIG. 2 is a left side view of the shopping basket.  
FIG. 3 is a right side view of the shopping basket.  
FIG. 4 is a rear view of the shopping basket.  
FIG. 5 is a front view of the shopping basket.  
FIG. 6 is a bottom view of the shopping basket; and,  
FIG. 7 is a top view of the shopping basket.

**1 Claim, 7 Drawing Sheets**



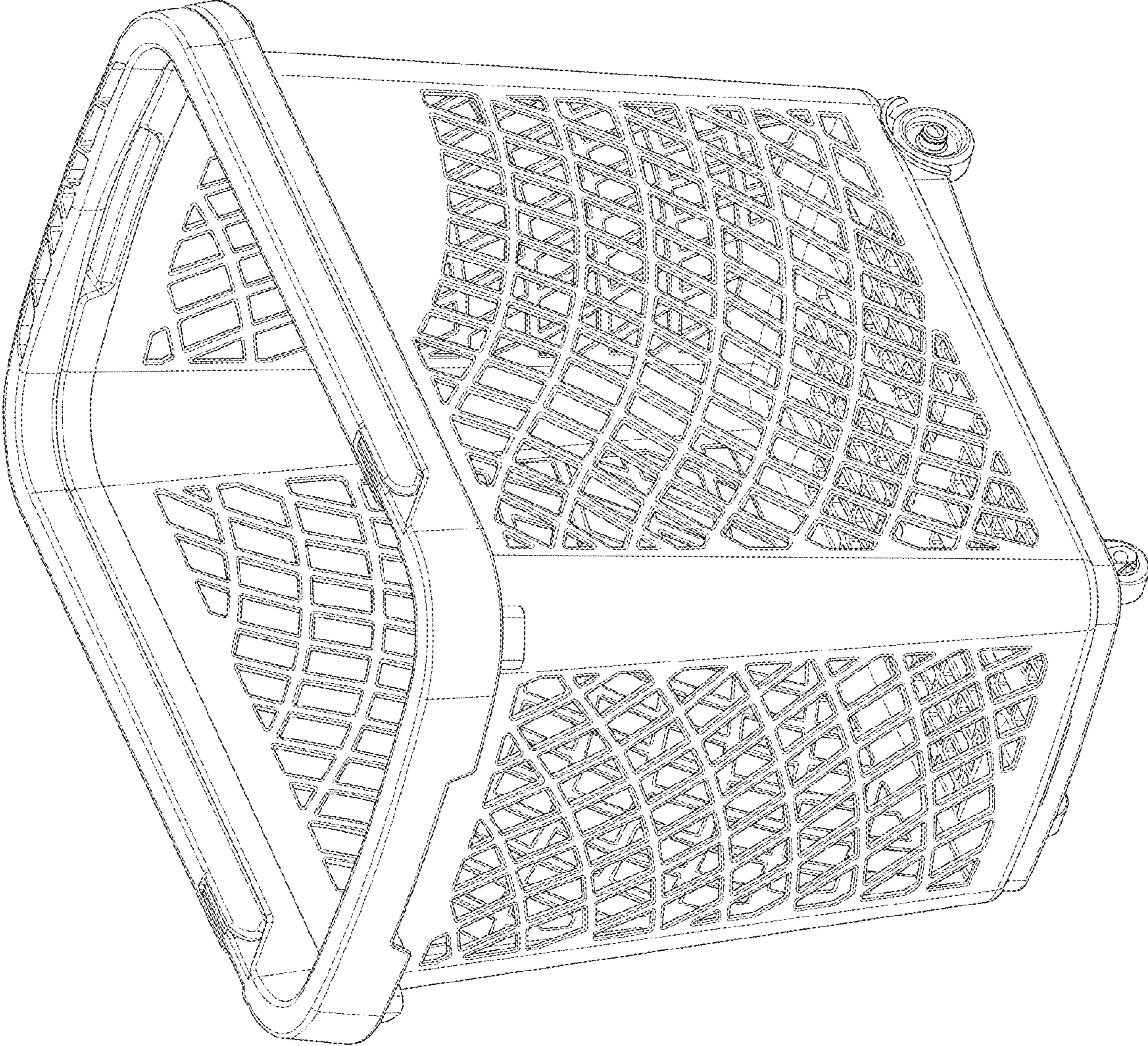


FIG. 1

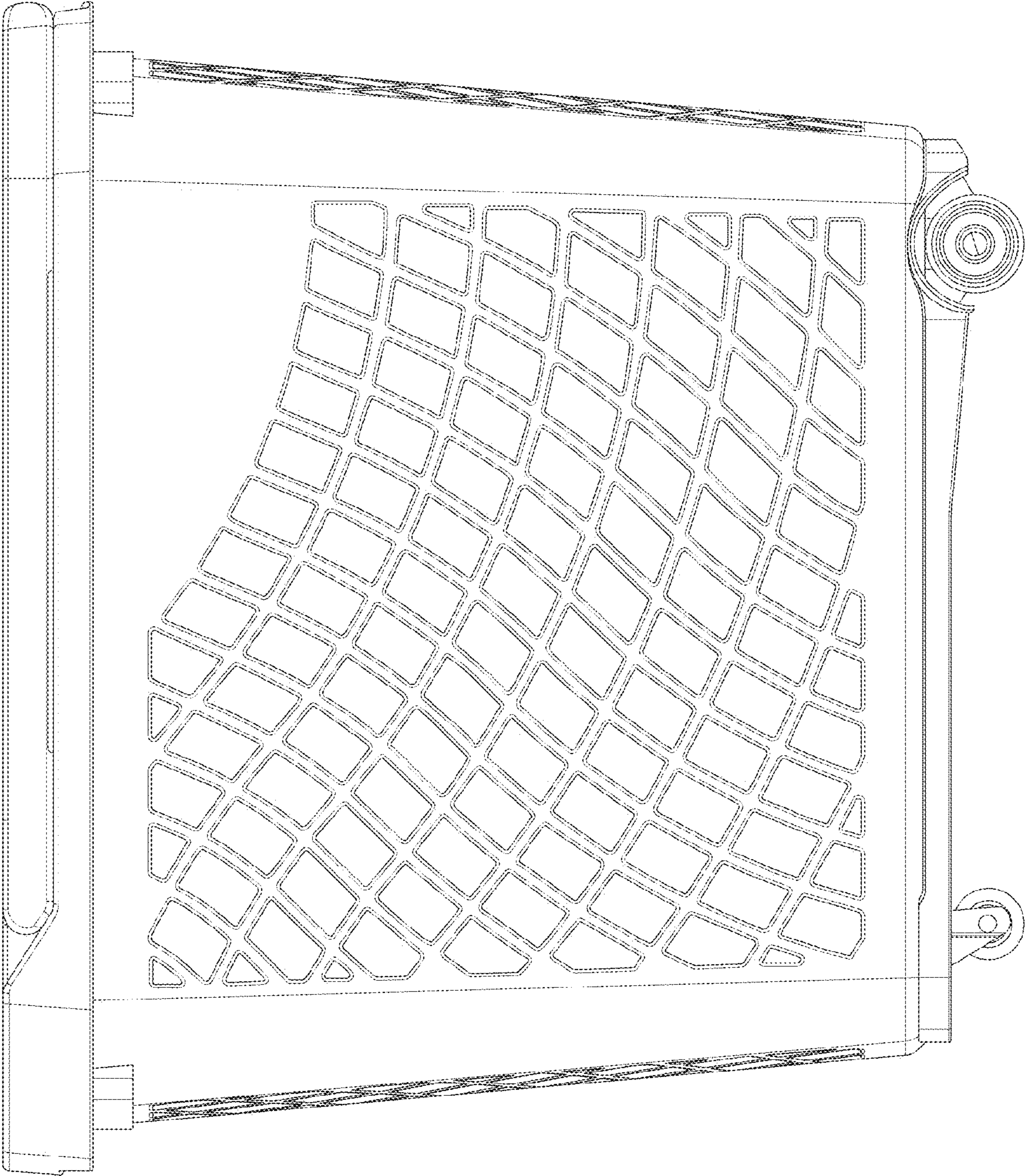


FIG. 2

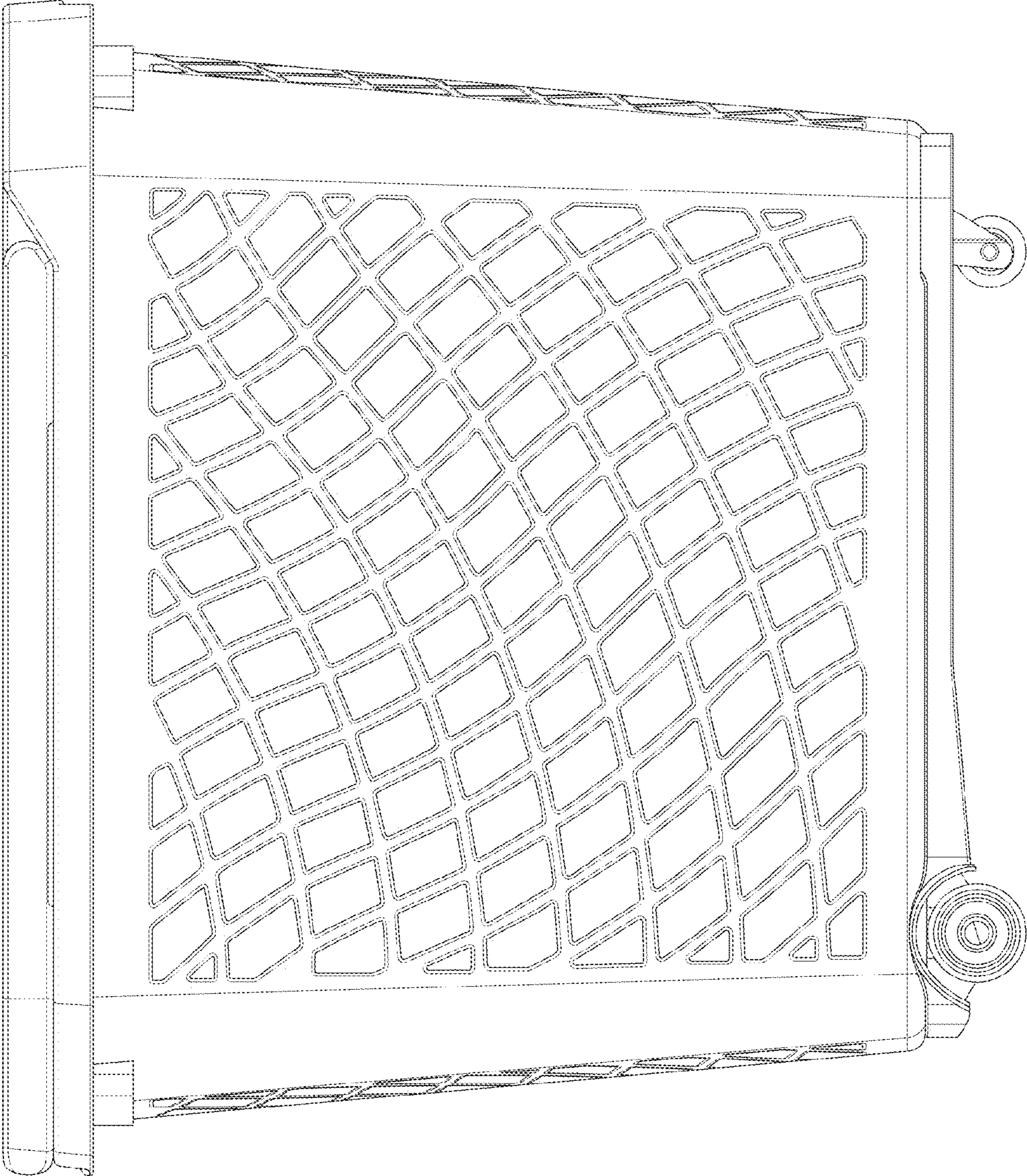


FIG. 3

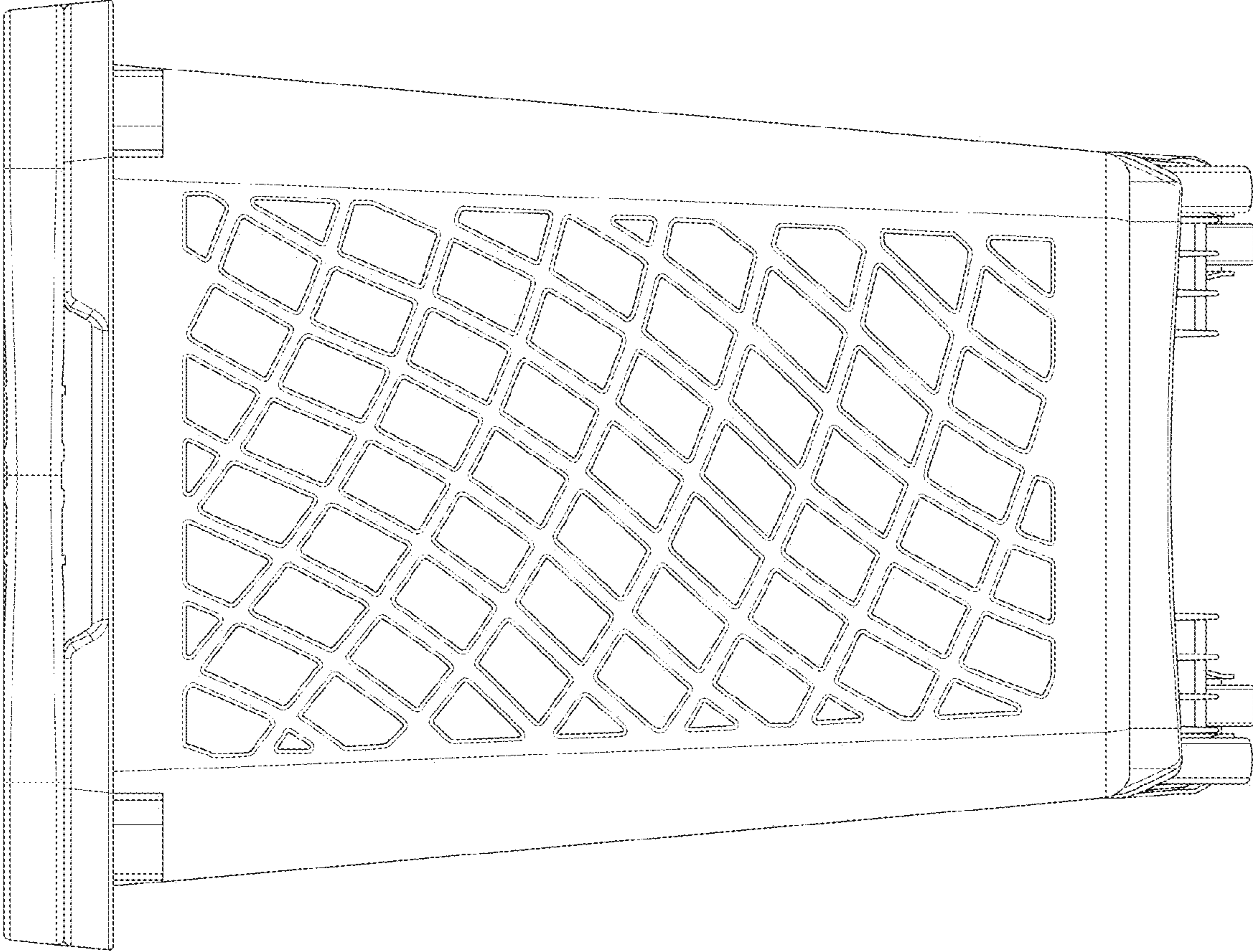


FIG. 4

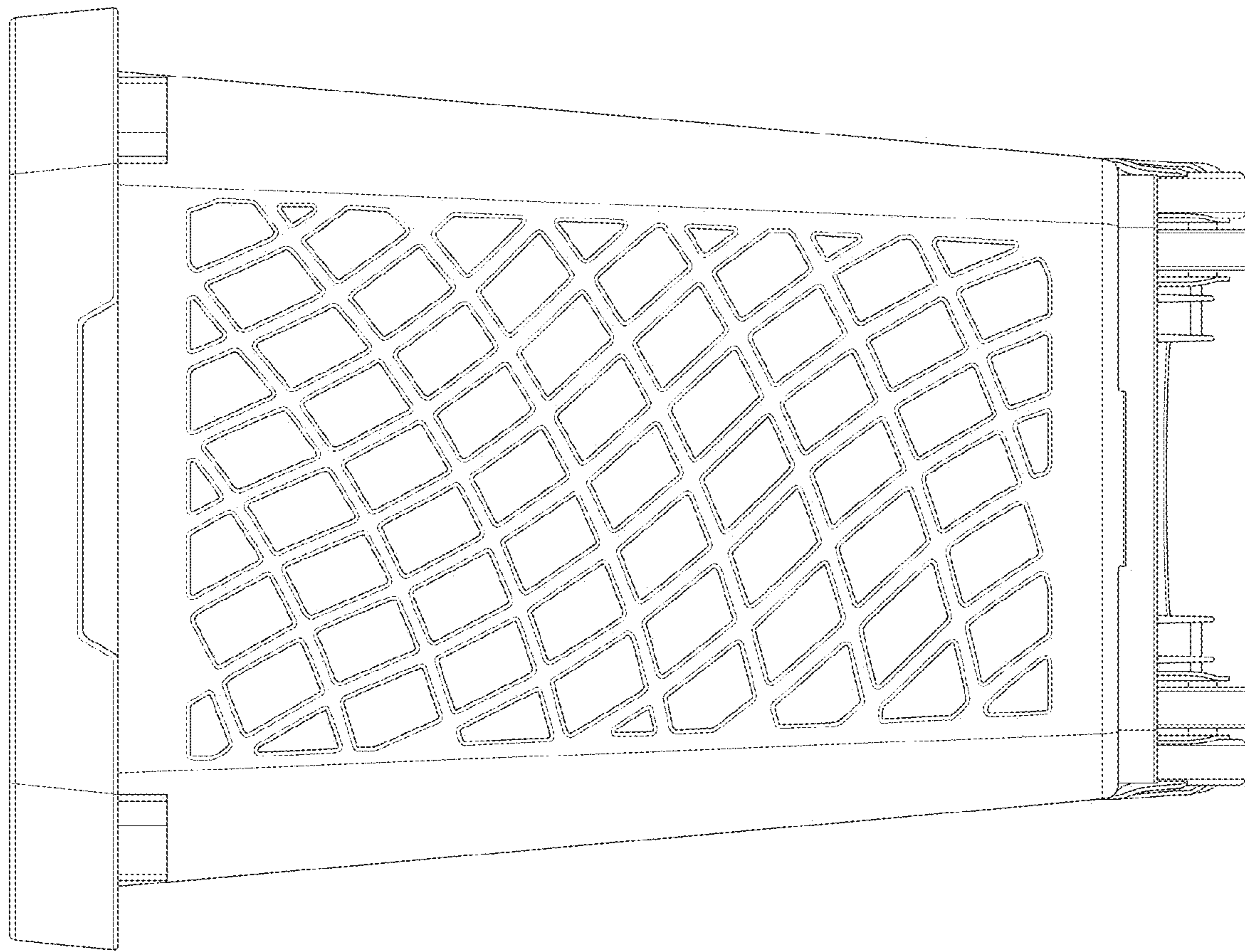


FIG. 5

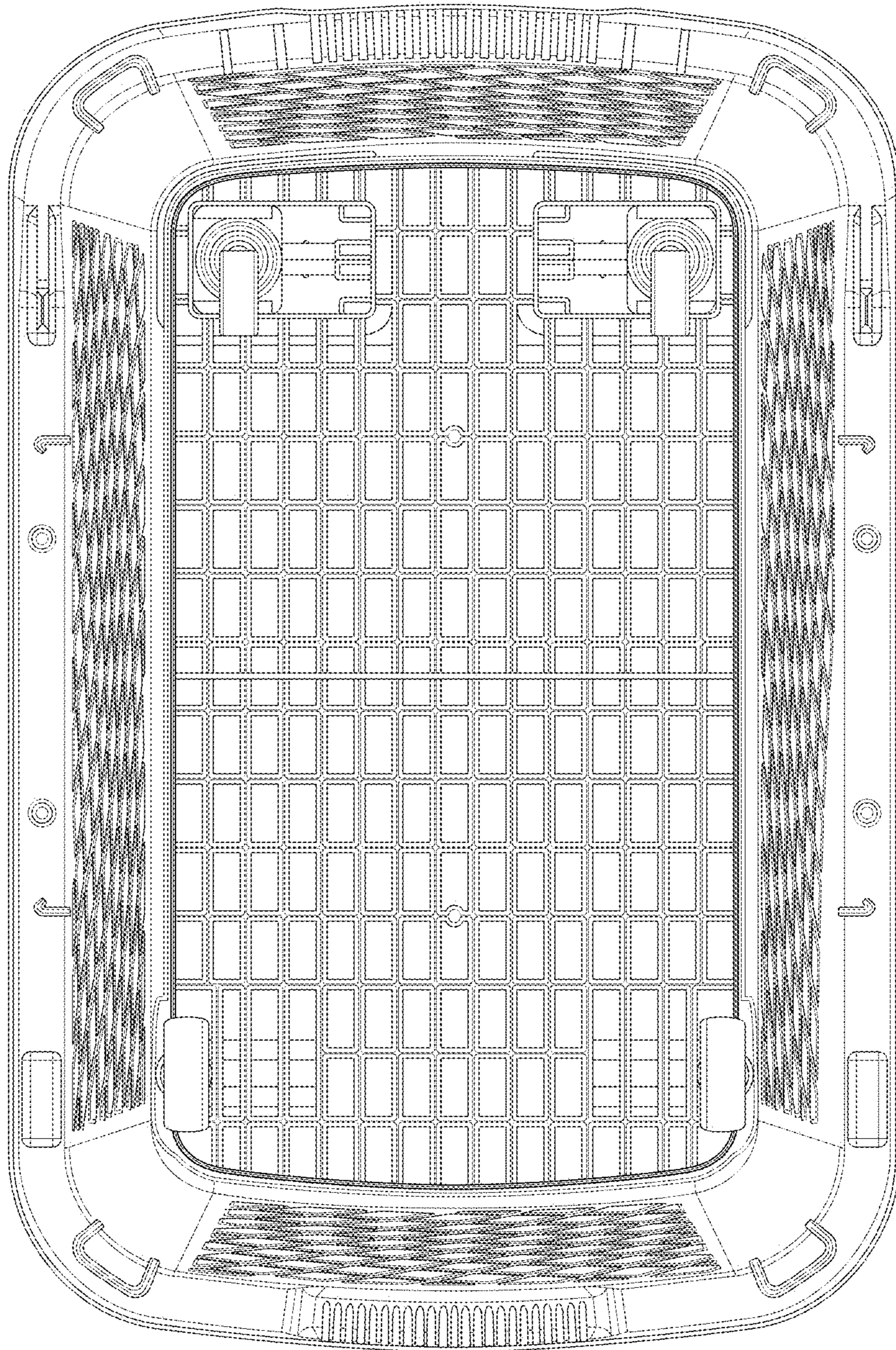


FIG. 6

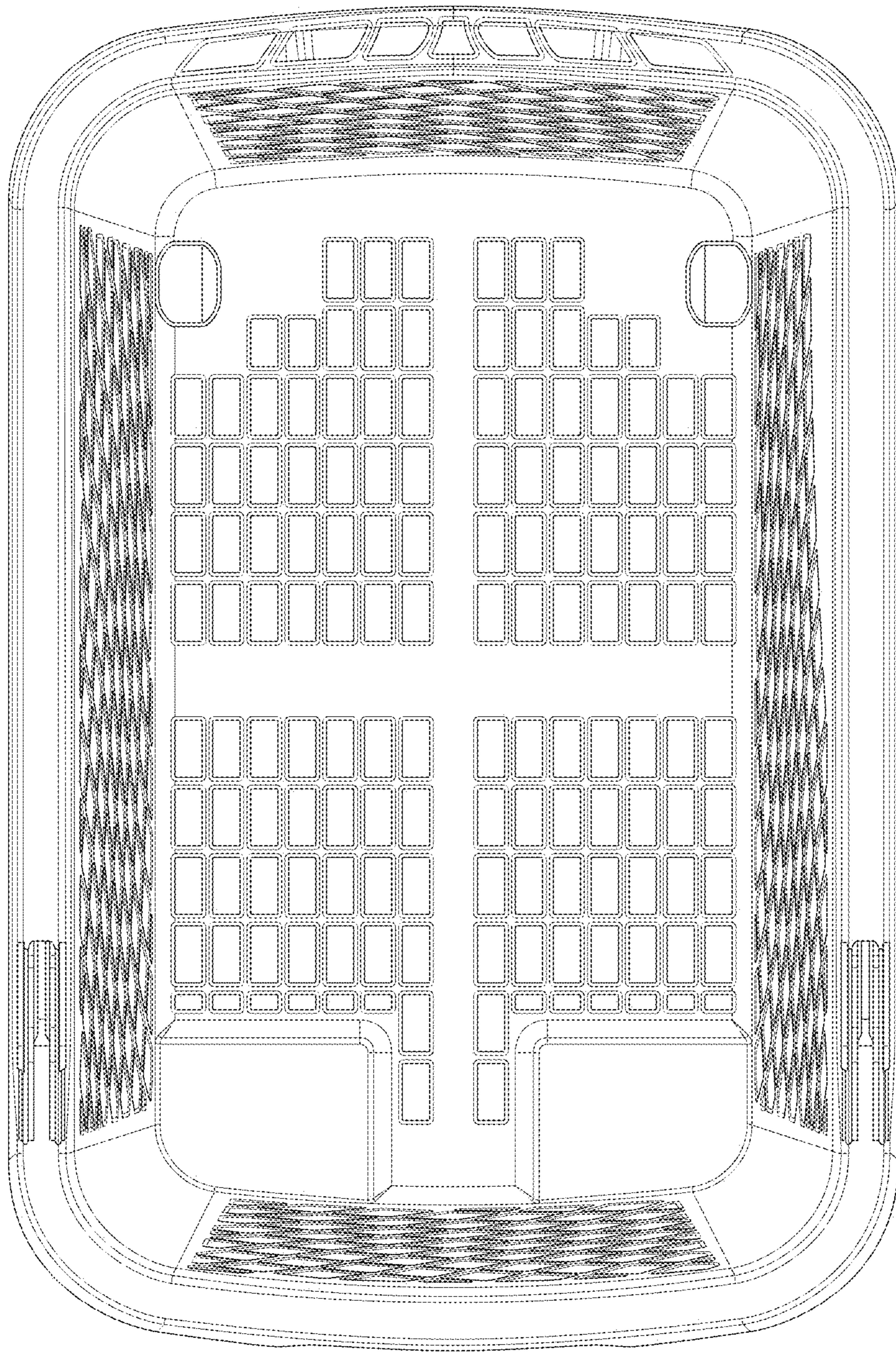


FIG. 7