



US00D929064S

(12) **United States Design Patent** (10) **Patent No.:** **US D929,064 S**  
**Etzelsberger** (45) **Date of Patent:** **\*\* Aug. 24, 2021**

(54) **FOLDABLE CART**

FOREIGN PATENT DOCUMENTS

(71) Applicant: **Urban Electric Co.**, Pasadena, CA (US)

EM 007722707-0001 2/2020  
EM 007722707-0002 2/2020

(Continued)

(72) Inventor: **Sven Etzelsberger**, Pasadena, CA (US)

OTHER PUBLICATIONS

(73) Assignee: **Urban Electric Co.**, Pasadena, CA (US)

URB-E, announced 2021 [online], [site visited Feb. 22, 2021], Available from internet, URL: <https://urb-e.com/products/new-delivery-solutions> (Year: 2021).\*

(\*\*) Term: **15 Years**

*Primary Examiner* — George A Bugg

*Assistant Examiner* — Tamara L Hahn

(21) Appl. No.: **29/703,842**

(74) *Attorney, Agent, or Firm* — KPPB LLP

(22) Filed: **Aug. 29, 2019**

(51) **LOC (13) Cl.** ..... **12-02**

(57) **CLAIM**

(52) **U.S. Cl.**  
USPC ..... **D34/17**

The ornamental design for a foldable cart, as shown and described.

(58) **Field of Classification Search**  
USPC ..... D34/12-27; D6/400, 653.1, 684, 655  
CPC .. B62B 3/00; B62B 3/10; B62B 3/108; B62B 3/022

**DESCRIPTION**

See application file for complete search history.

FIG. 1 is a perspective view of a foldable cart in a top open configuration, according to the present application; FIG. 2 is a perspective view of a foldable cart in a top closed configuration; FIG. 3 is a front plan view thereof; FIG. 4 is a rear plan view thereof; FIG. 5 is a right plan view thereof; FIG. 6 is a left plan view thereof; FIG. 7 is a top plan view thereof; FIG. 8 is a perspective view of a foldable cart in a front open configuration; FIG. 9 is a front plan view thereof; FIG. 10 is a perspective view of a foldable cart in a front open and shelf folded configuration; FIG. 11 is a front plan view thereof; and, FIG. 12 is a top plan view of a foldable cart in a folded configuration.

The broken lines in the drawings depict portions of the foldable cart that form no part of the claimed design.

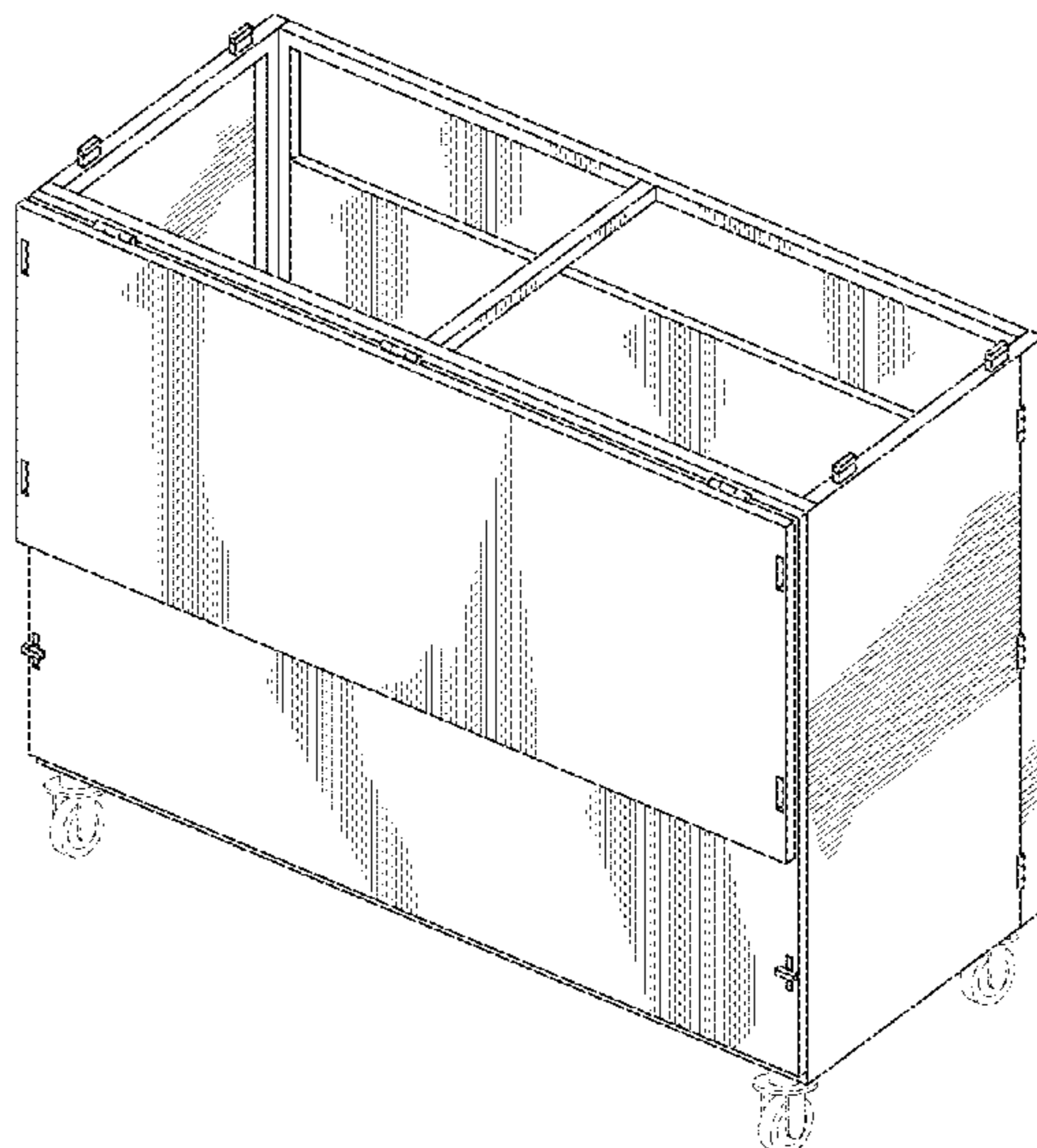
(56) **References Cited**

U.S. PATENT DOCUMENTS

5,611,553 A \* 3/1997 Schoeman ..... A47B 46/00 280/47.35  
5,725,037 A \* 3/1998 Faulhaber ..... B25H 1/12 144/285  
D636,615 S \* 4/2011 Grela ..... D34/20  
D698,699 S 2/2014 Dempsey et al.  
D698,701 S 2/2014 Dempsey et al.  
D706,684 S 6/2014 Dempsey et al.  
D710,262 S 8/2014 Faye  
D711,613 S \* 8/2014 Brenner ..... D34/14  
D733,005 S 6/2015 Erwin  
D760,122 S 6/2016 Guidry  
D761,160 S 7/2016 Gilles Duros et al.  
D779,380 S 2/2017 Van Den Berg  
D793,911 S 8/2017 Yim et al.

(Continued)

**1 Claim, 10 Drawing Sheets**



(56)

**References Cited**

U.S. PATENT DOCUMENTS

|              |         |              |        |
|--------------|---------|--------------|--------|
| D803,102 S   | 11/2017 | Pletcher     |        |
| D823,611 S * | 7/2018  | Ilian .....  | D6/336 |
| D860,869 S   | 9/2019  | Moore et al. |        |
| D864,032 S   | 10/2019 | Bernard      |        |
| D868,508 S * | 12/2019 | Sprang ..... | D6/671 |
| D902,082 S   | 11/2020 | Sweeney      |        |

FOREIGN PATENT DOCUMENTS

|    |                |        |
|----|----------------|--------|
| EM | 007722707-0003 | 2/2020 |
| EM | 007722707-0004 | 2/2020 |
| EM | 007722707-0005 | 2/2020 |
| EM | 008129761-0001 | 8/2020 |

\* cited by examiner

FIG. 1

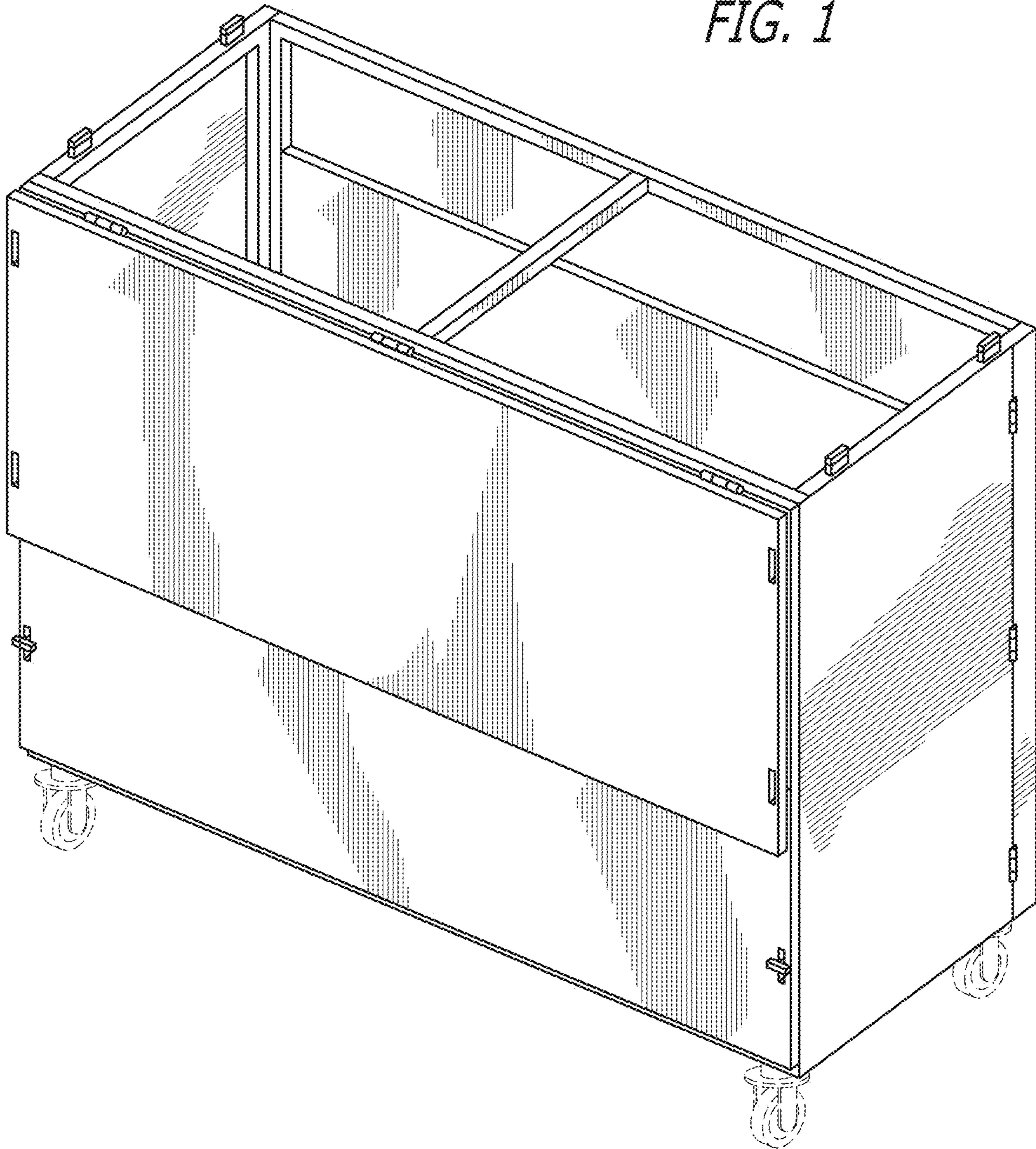
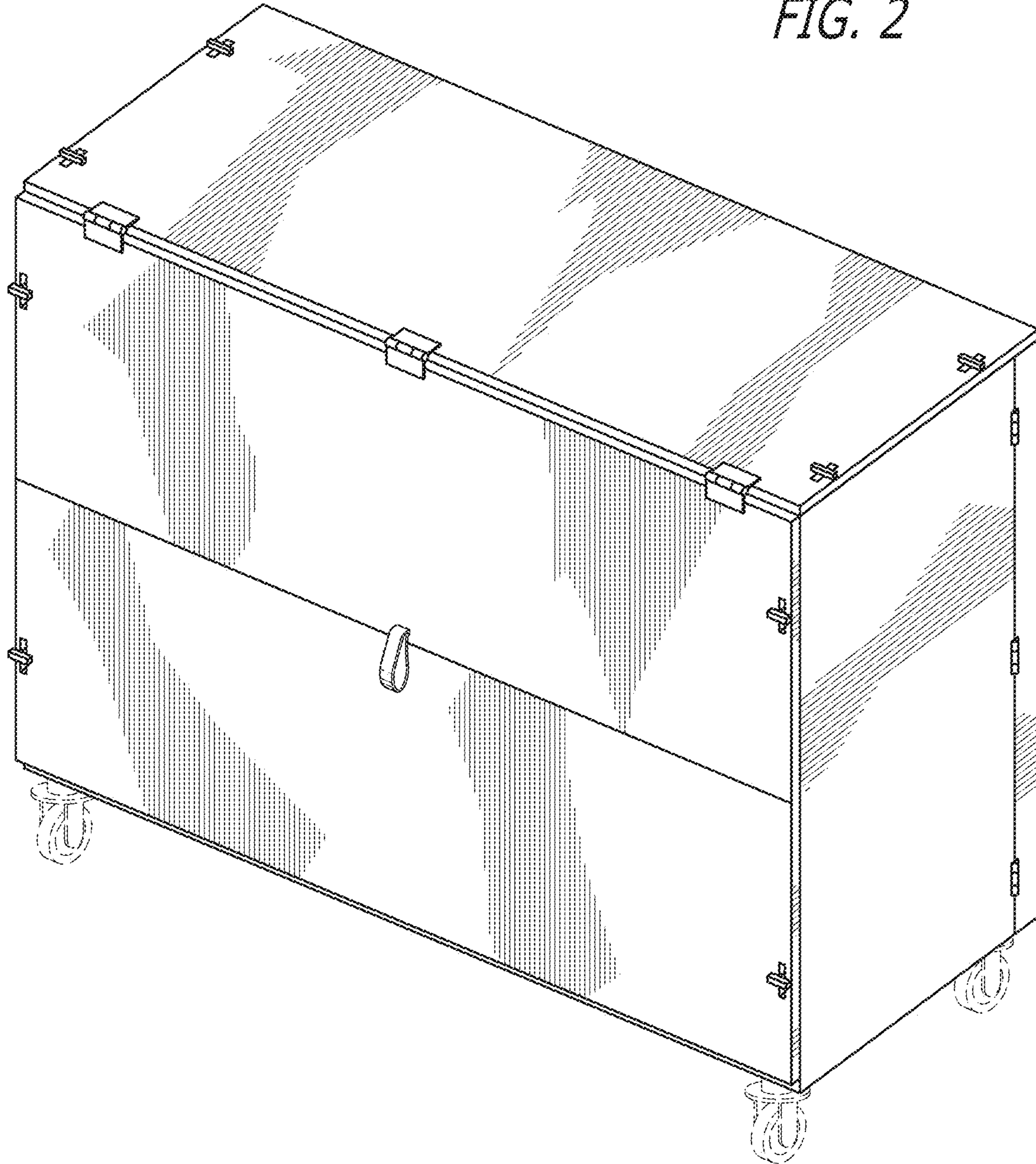




FIG. 2



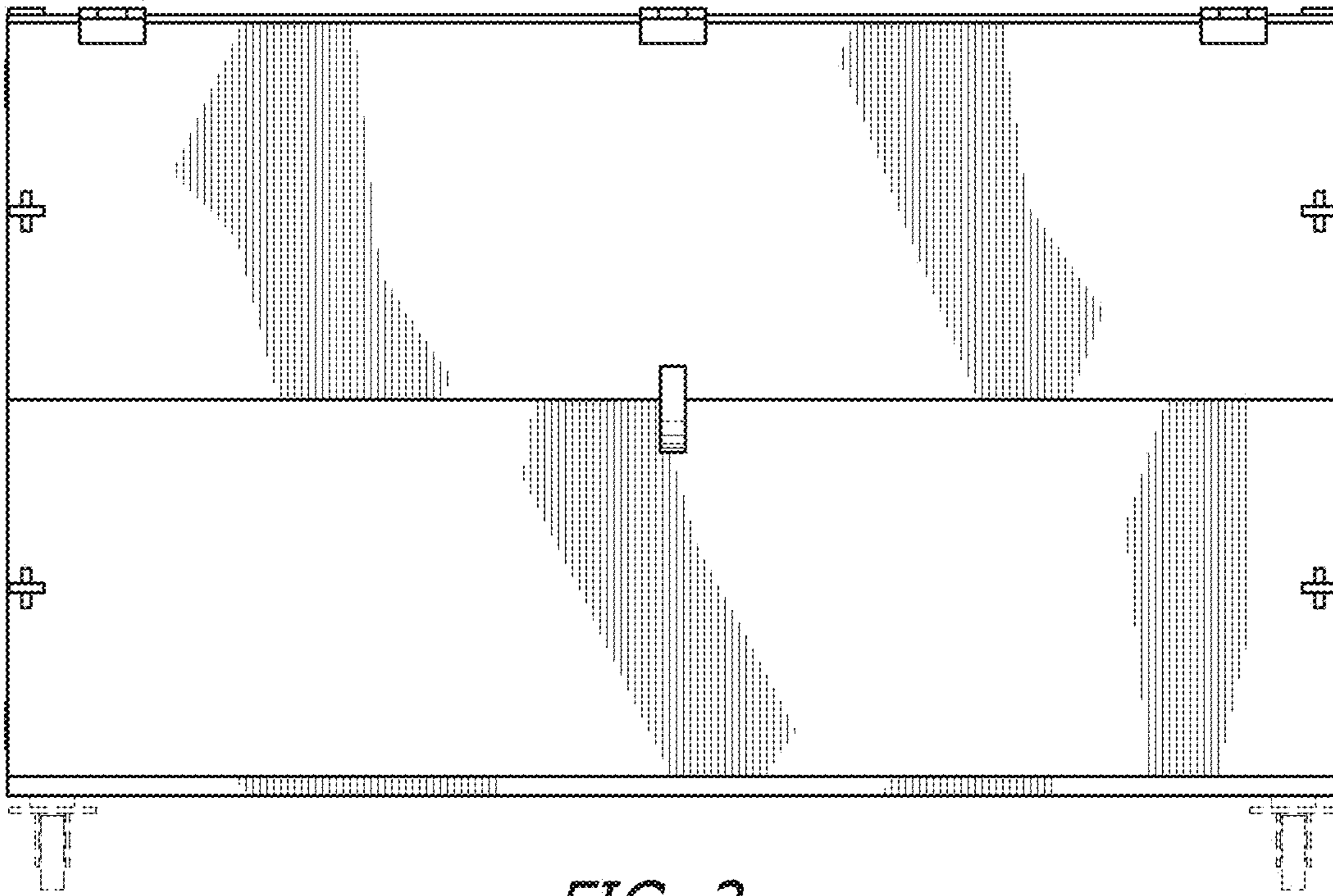


FIG. 3

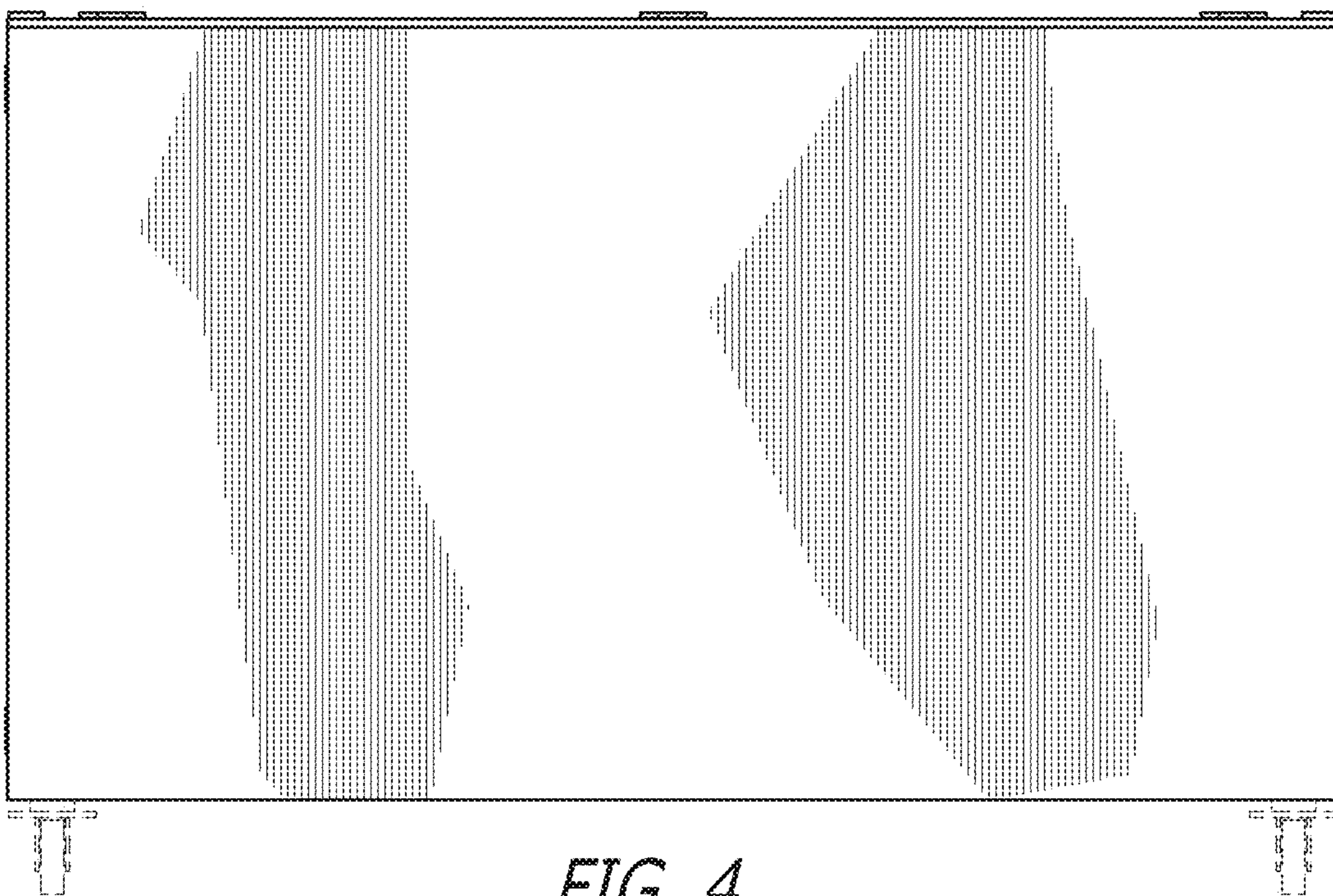
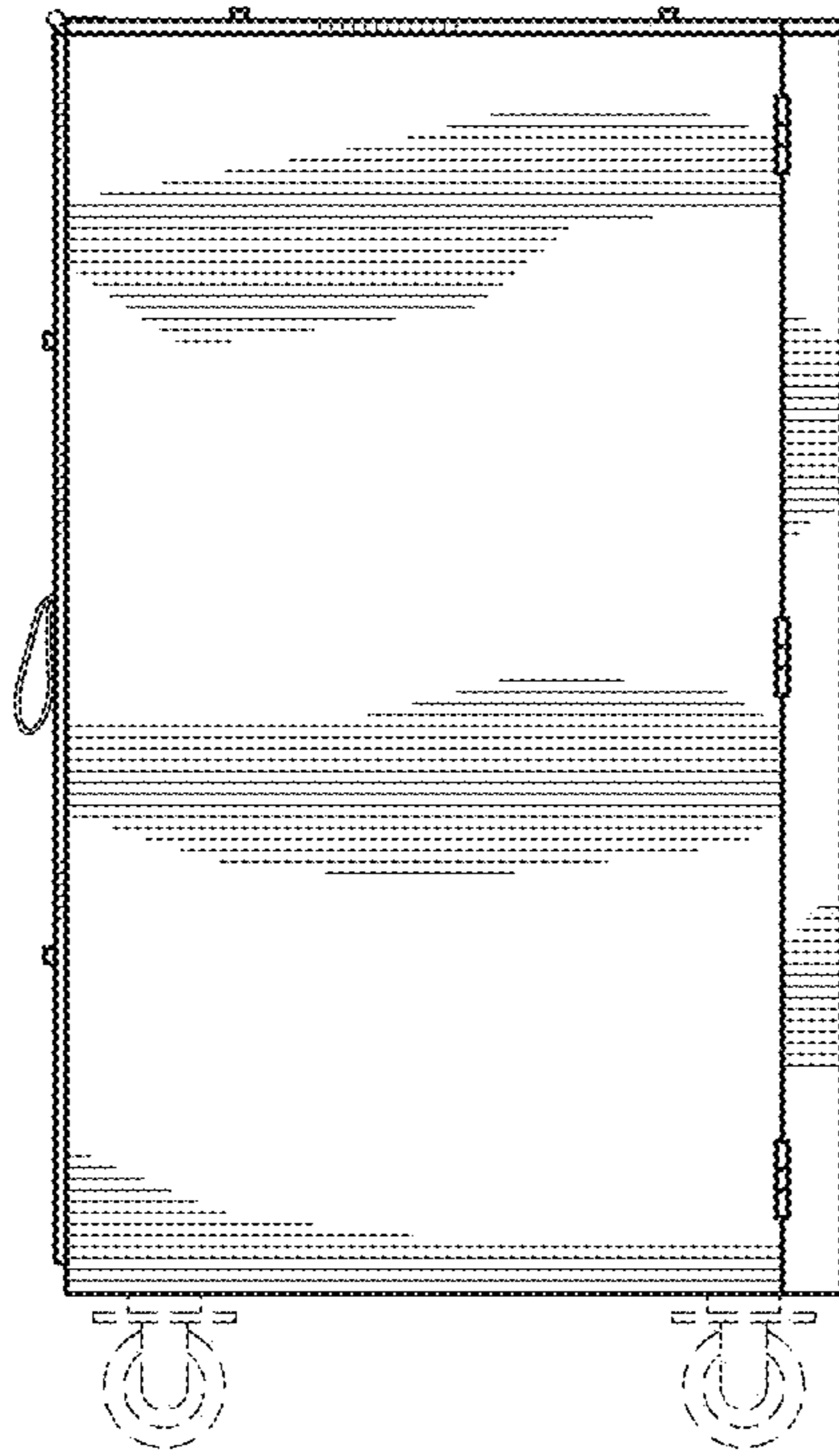
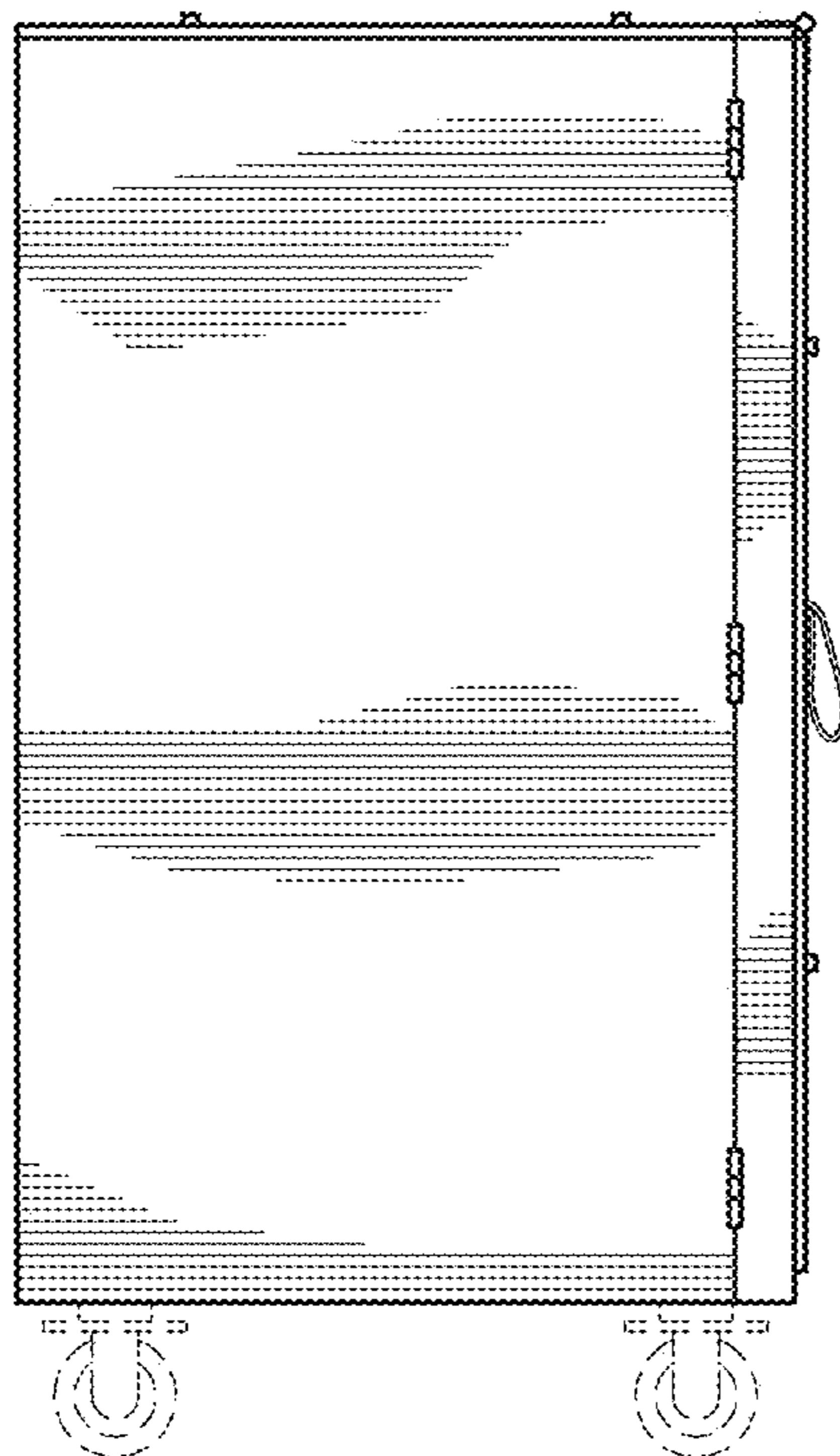


FIG. 4

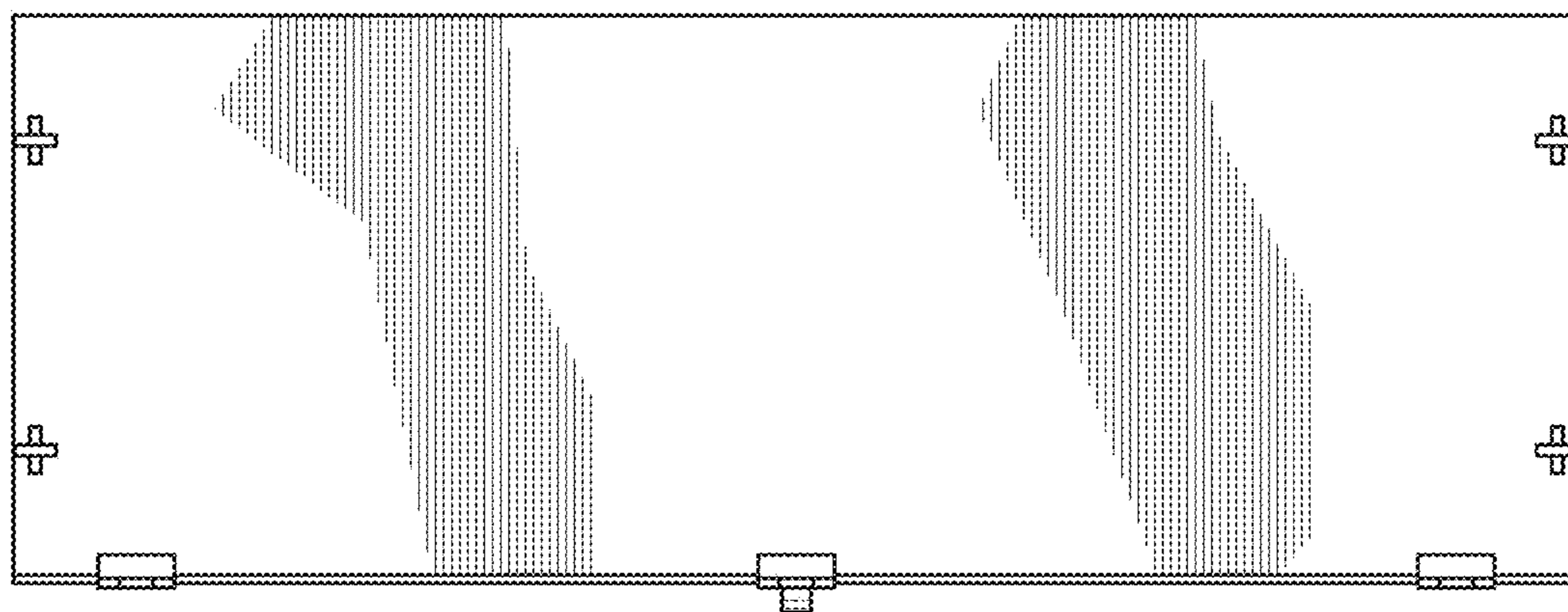


*FIG. 5*



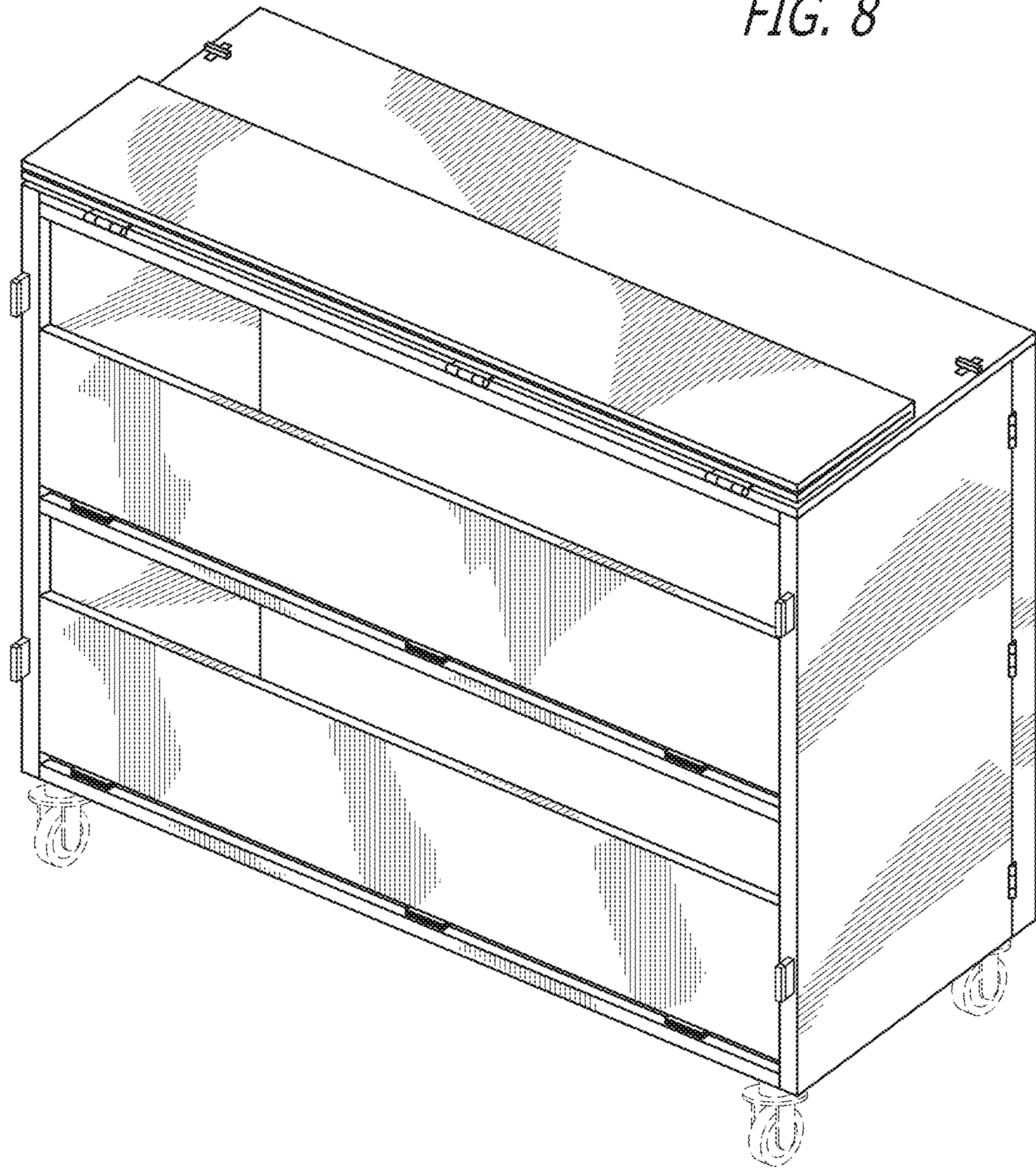
*FIG. 6*





*FIG. 7*

FIG. 8





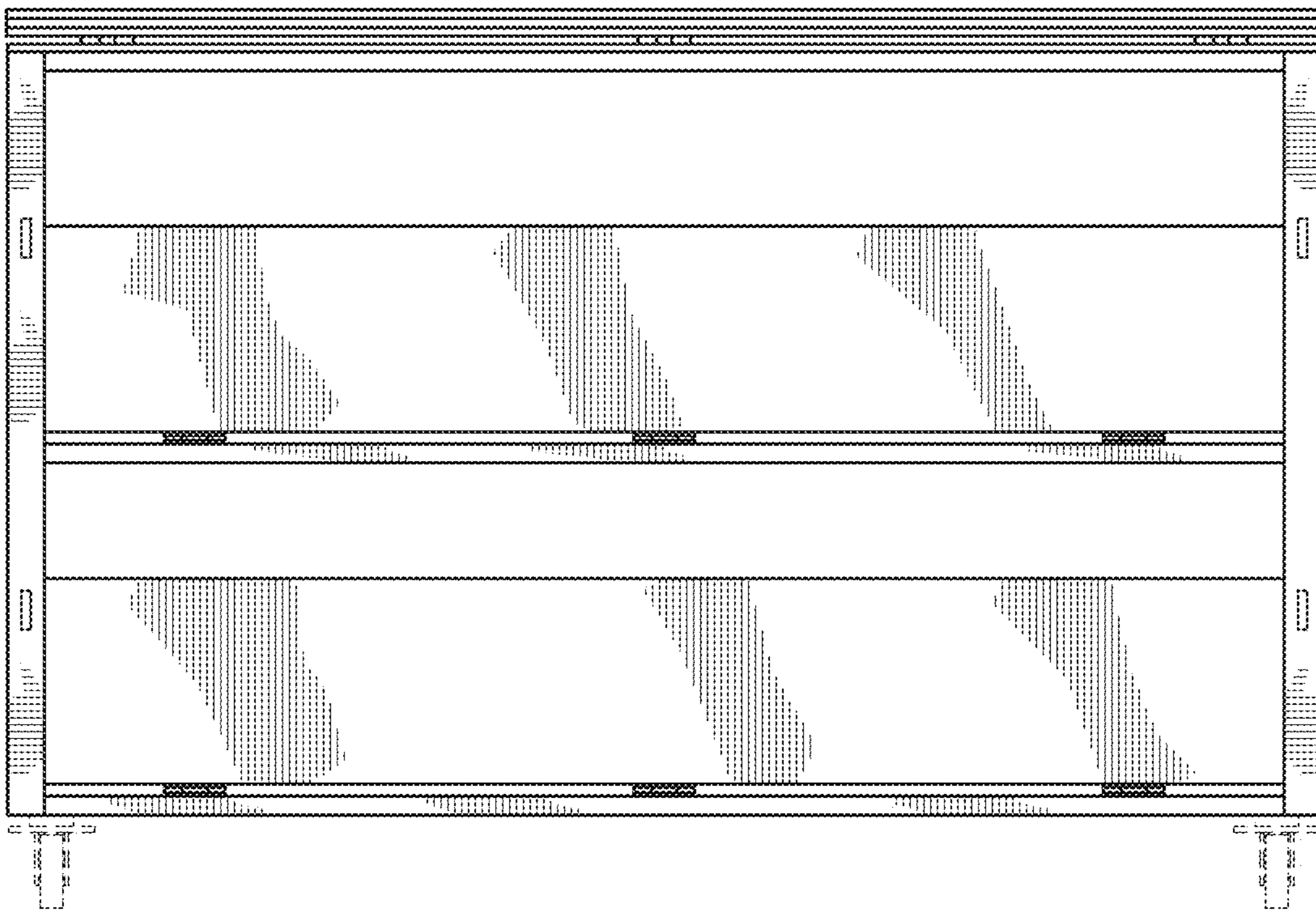
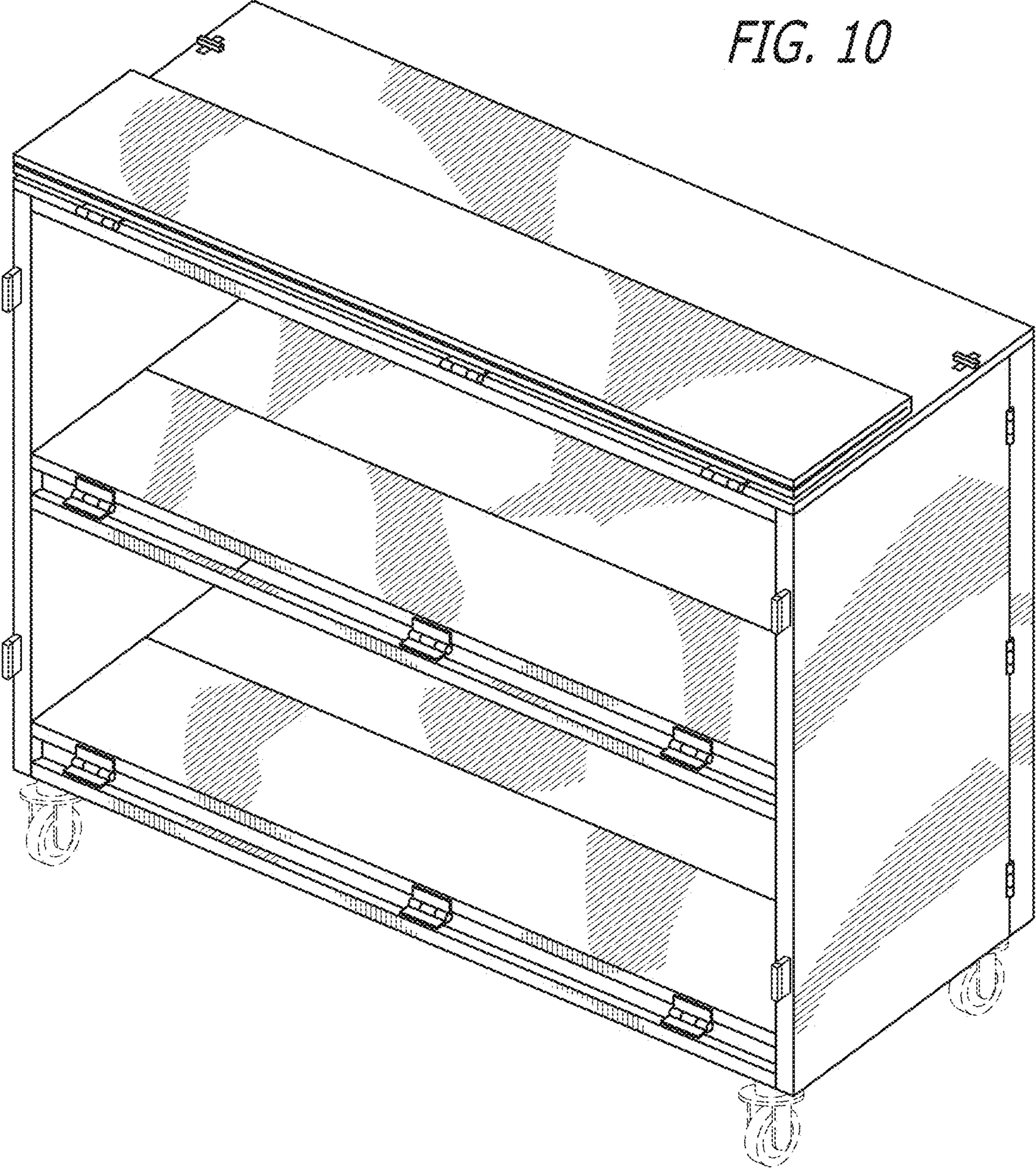


FIG. 9

FIG. 10



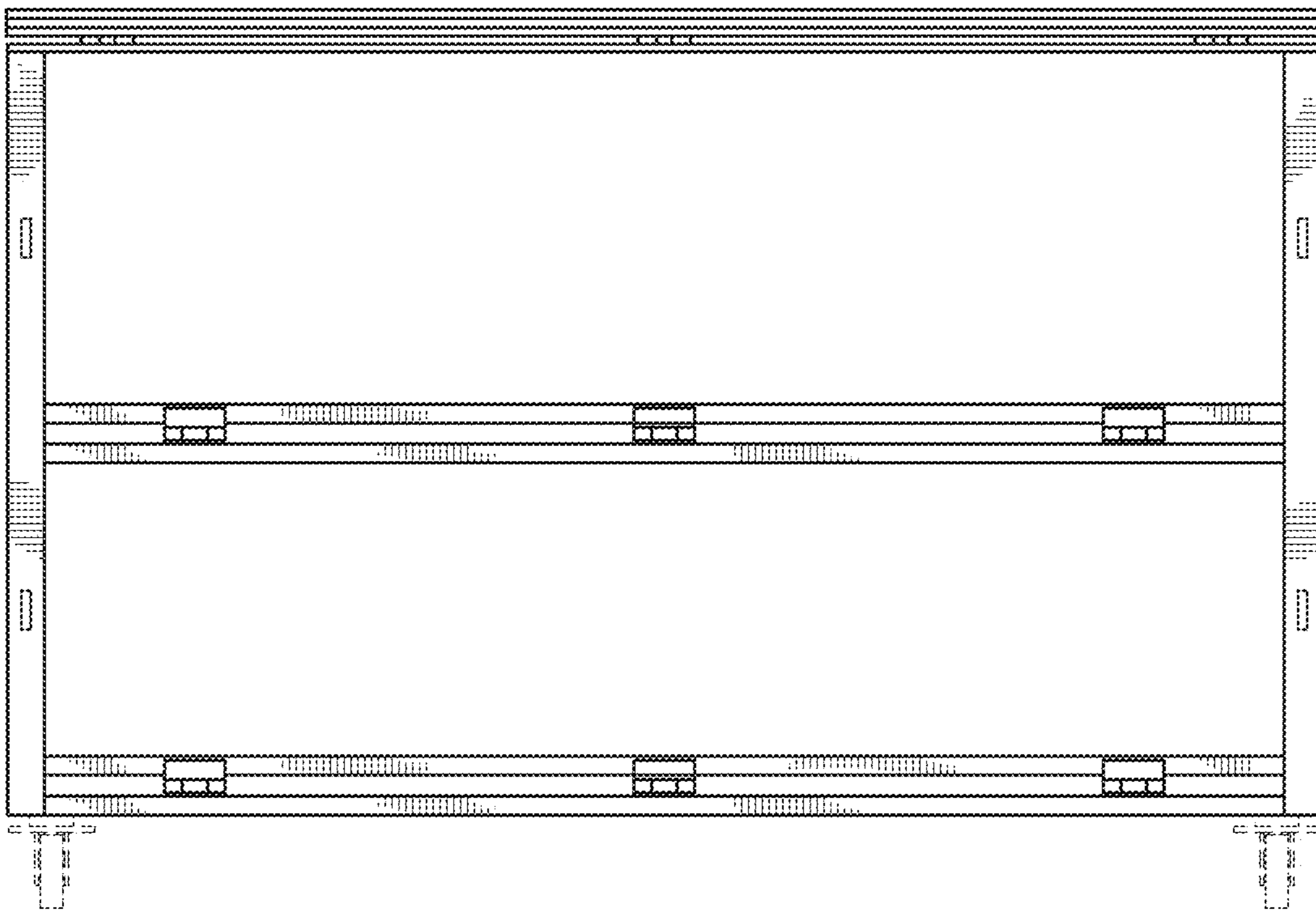


FIG. 11



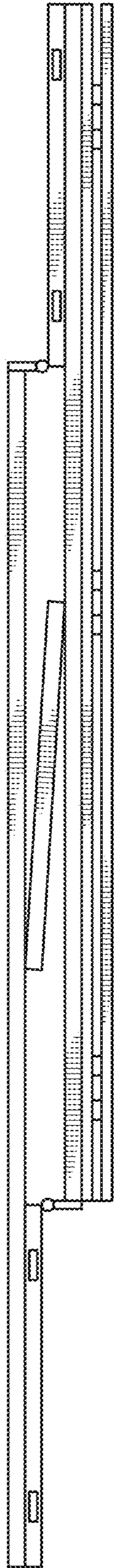


FIG. 12