



US00D929061S

(12) **United States Design Patent** (10) **Patent No.:** **US D929,061 S**  
**Gaska** (45) **Date of Patent:** **\*\* Aug. 24, 2021**

(54) **LAUNDRY VALET ROD**  
(71) Applicant: **Whitmor, Inc.**, Southaven, MS (US)  
(72) Inventor: **Gil Gaska**, Germantown, TN (US)  
(73) Assignee: **Whitmor, Inc.**, Southaven, MS (US)  
(\*\*) Term: **15 Years**  
(21) Appl. No.: **29/649,698**  
(22) Filed: **May 31, 2018**  
(51) **LOC (13) Cl.** ..... **07-05**  
(52) **U.S. Cl.**  
USPC ..... **D32/58**  
(58) **Field of Classification Search**  
USPC ..... D32/3, 55, 58, 276, 59; D6/510, 525;  
D7/354, 629, 368  
CPC ..... A47G 25/746; A47G 25/0664; A47F 7/24;  
A47B 61/00; A47B 57/402; B62B 3/02;  
F16B 12/40  
See application file for complete search history.

D648,141 S \* 11/2011 Noe ..... D6/323  
D655,877 S \* 3/2012 Greenway ..... D32/58  
D790,144 S \* 6/2017 Kelly ..... D32/58  
D806,973 S \* 1/2018 Karr ..... D32/58  
D808,606 S \* 1/2018 Greenspon ..... D32/58  
D827,965 S \* 9/2018 Barre ..... D32/58

\* cited by examiner

*Primary Examiner* — Michelle E. Wilson  
(74) *Attorney, Agent, or Firm* — Stites & Harbison  
PLLC; Richard S. Myers, Jr.

(57) **CLAIM**

The ornamental design for a laundry valet rod, as shown and described.

**DESCRIPTION**

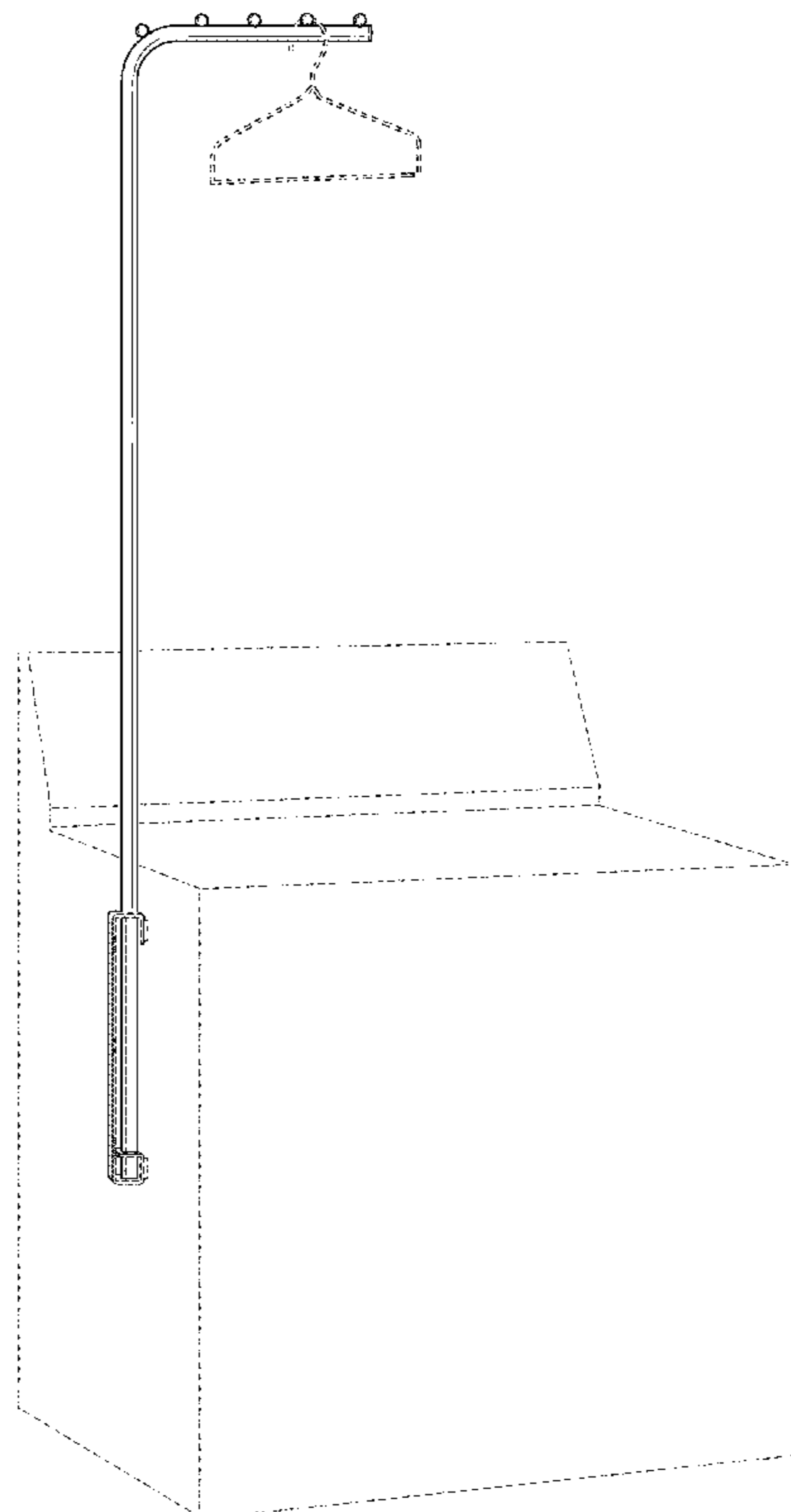
FIG. 1 is a front perspective view of the design of the laundry valet rod of the present invention;  
FIG. 2 is a front elevation view of the laundry valet rod embodiment shown in FIG. 1;  
FIG. 3 is a side elevation view of the laundry valet rod embodiment shown in FIG. 1;  
FIG. 4 is a rear elevation view of the laundry valet rod embodiment shown in FIG. 1;  
FIG. 5 is a bottom plan view of the laundry valet rod embodiment shown in FIG. 1;  
FIG. 6 is a top plan view of the laundry valet rod embodiment shown in FIG. 1; and,  
FIG. 7 is a perspective view of the laundry valet rod embodiment shown in FIG. 1 attached to an appliance (not claimed).

**1 Claim, 4 Drawing Sheets**

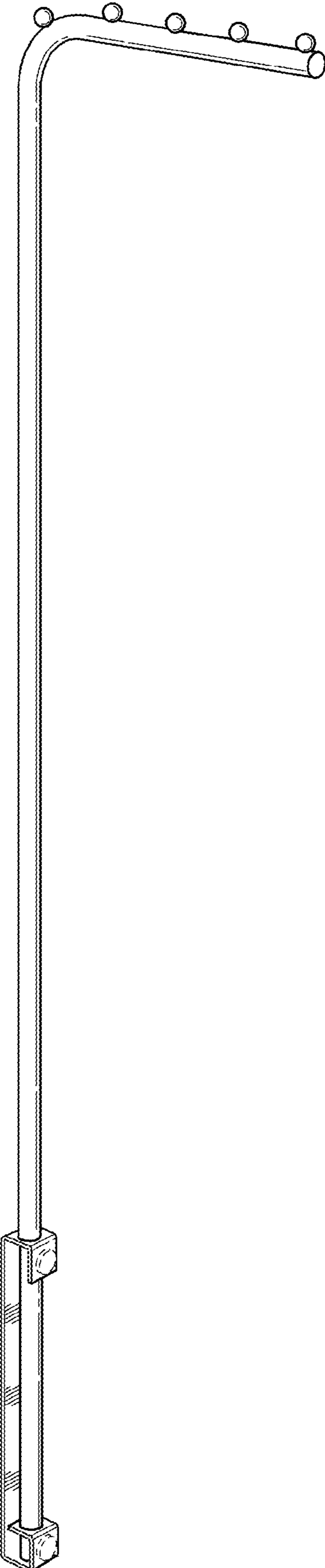
(56) **References Cited**

**U.S. PATENT DOCUMENTS**

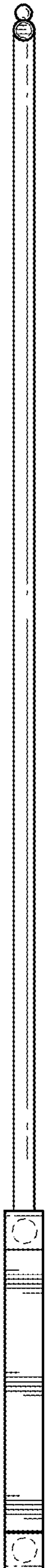
D243,978 S \* 4/1977 Lalletment ..... D6/325  
D278,106 S \* 3/1985 Green ..... D6/315  
D321,423 S \* 11/1991 Ohm ..... D32/58  
D391,706 S \* 3/1998 Malcolm ..... 211/205  
D391,719 S \* 3/1998 Anderson ..... D32/58  
D546,013 S \* 7/2007 Pong ..... D32/58  
D564,165 S \* 3/2008 King ..... D32/58



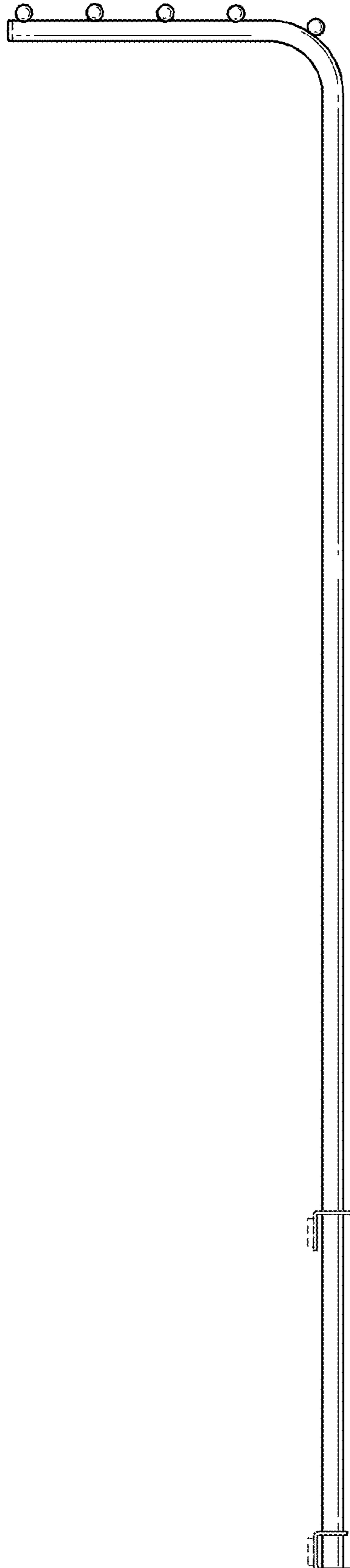
**FIG. 1**



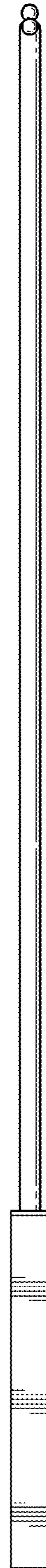
**FIG. 2**



**FIG. 3**



**FIG. 4**



**FIG. 5**



**FIG. 6**



FIG. 7

