



US00D929059S

(12) **United States Design Patent** (10) **Patent No.:** **US D929,059 S**  
**DiSisto** (45) **Date of Patent:** **\*\* Aug. 24, 2021**

(54) **BUCKET-SCRAPING APPARATUS**  
(71) Applicant: **Vincent DiSisto**, Beverton, OR (US)  
(72) Inventor: **Vincent DiSisto**, Beverton, OR (US)  
(\*\*) Term: **15 Years**  
(21) Appl. No.: **29/671,471**  
(22) Filed: **Nov. 27, 2018**  
(51) **LOC (13) Cl.** ..... **07-05**  
(52) **U.S. Cl.**  
USPC ..... **D32/46**  
(58) **Field of Classification Search**  
USPC ..... D32/41, 46, 68  
CPC ... A47L 11/40; A47L 1/08; A47L 1/00; A47L  
13/12; A47L 13/10; B44D 3/16; B67D  
1/1238; E02F 3/40  
See application file for complete search history.

D602,219 S \* 10/2009 Bailey ..... D32/49  
7,624,522 B1 \* 12/2009 Ammons ..... E02F 3/4075  
37/444  
D705,511 S \* 5/2014 Jacobsen ..... D32/46  
8,756,747 B2 \* 6/2014 Rolph ..... A47L 1/16  
15/236.02  
D841,271 S \* 2/2019 Motsenbocker ..... D32/46  
10,750,926 B2 \* 8/2020 Montalbano ..... B08B 9/0808  
2007/0031810 A1 \* 2/2007 Hoch ..... B43K 8/003  
434/408  
2019/0053684 A1 \* 2/2019 Cassar ..... A47L 13/42  
2019/0232636 A1 \* 8/2019 Hoffman, Jr. .... B41F 15/44

**FOREIGN PATENT DOCUMENTS**

CN 304508373 \* 2/2018

**OTHER PUBLICATIONS**

The Bucket Scoop, website 2010, <http://www.bucketscoop.com/pages/sidewinder.html>, site visited May 17, 2021.\*

\* cited by examiner

*Primary Examiner* — John R Yeh

(74) *Attorney, Agent, or Firm* — Steven Rinehart

(56) **References Cited**

**U.S. PATENT DOCUMENTS**

D35,006 S \* 8/1901 White ..... D23/411  
2,121,307 A \* 6/1938 Swift ..... 15/104.001  
2,838,780 A \* 6/1958 Kean ..... B44D 3/162  
15/104.13  
D243,382 S \* 2/1977 Mox ..... D32/46  
D298,926 S \* 12/1988 Rusnak ..... D12/220  
D312,155 S \* 11/1990 Saunders ..... D32/46  
D328,807 S \* 8/1992 Millar ..... D32/41  
D332,331 S \* 1/1993 Hansen ..... D32/41  
D345,887 S \* 4/1994 Heiberg ..... D32/46  
D357,563 S \* 4/1995 Vosbikian ..... D32/41  
D357,850 S \* 5/1995 Walsh ..... D32/41  
D370,611 S \* 6/1996 Frick ..... D15/139  
D371,656 S \* 7/1996 Mason, III ..... D32/41  
5,680,668 A \* 10/1997 Kim ..... A47L 1/16  
15/236.02

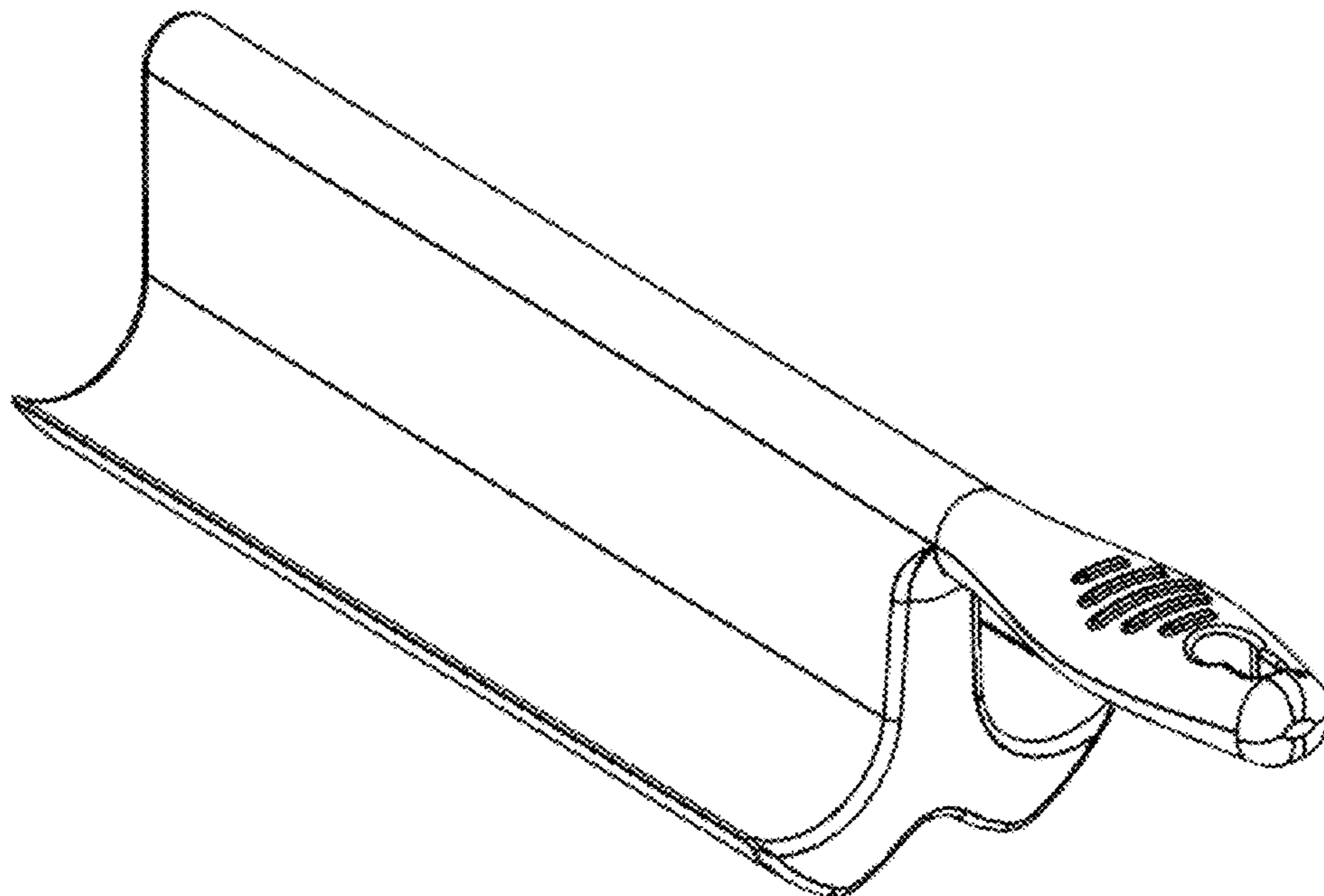
(57) **CLAIM**

I claim the ornamental design for the bucket-scraping apparatus, as shown and described.

**DESCRIPTION**

FIG. 1 illustrates a rearward side perspective view of my design for a bucket scraping apparatus;  
FIG. 2 illustrates a top perspective view thereof;  
FIG. 3 illustrates a bottom perspective view thereof;  
FIG. 4 illustrates a rearward elevation view thereof; and,  
FIG. 5 illustrates a forward elevation view thereof.

**1 Claim, 3 Drawing Sheets**



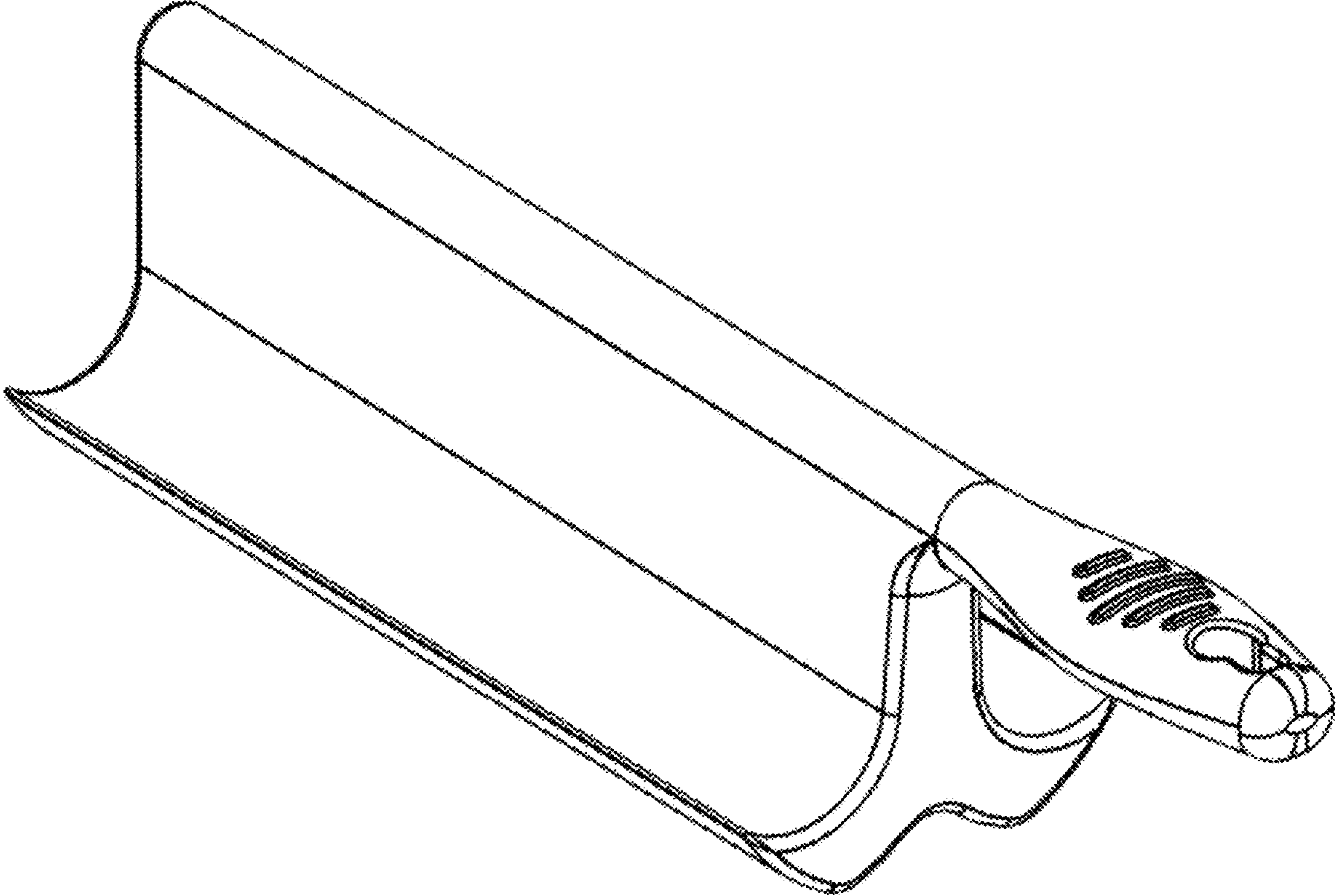


FIG. 1

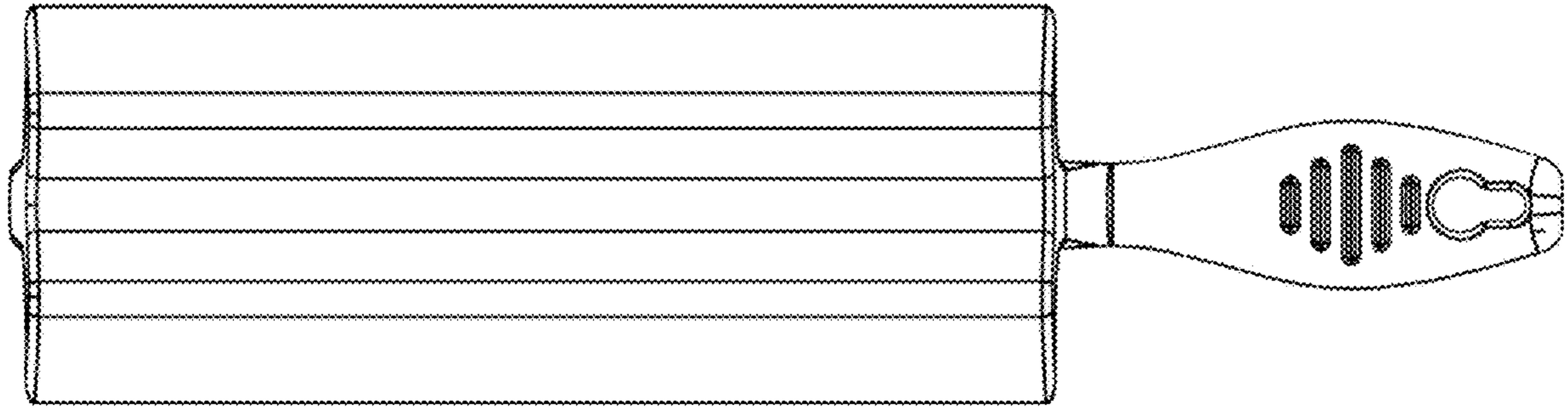


FIG. 2

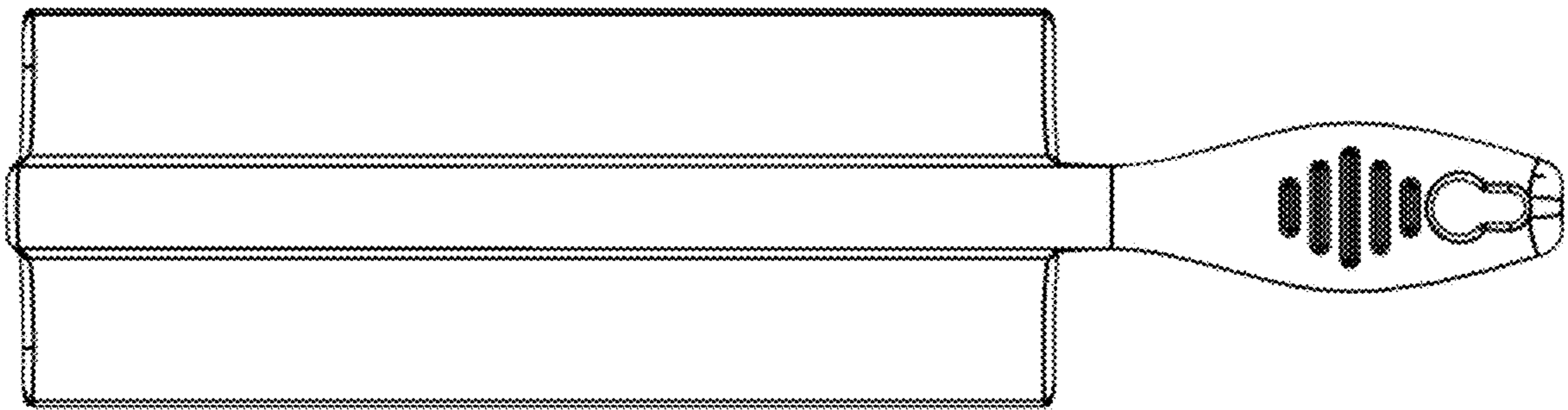


FIG. 3

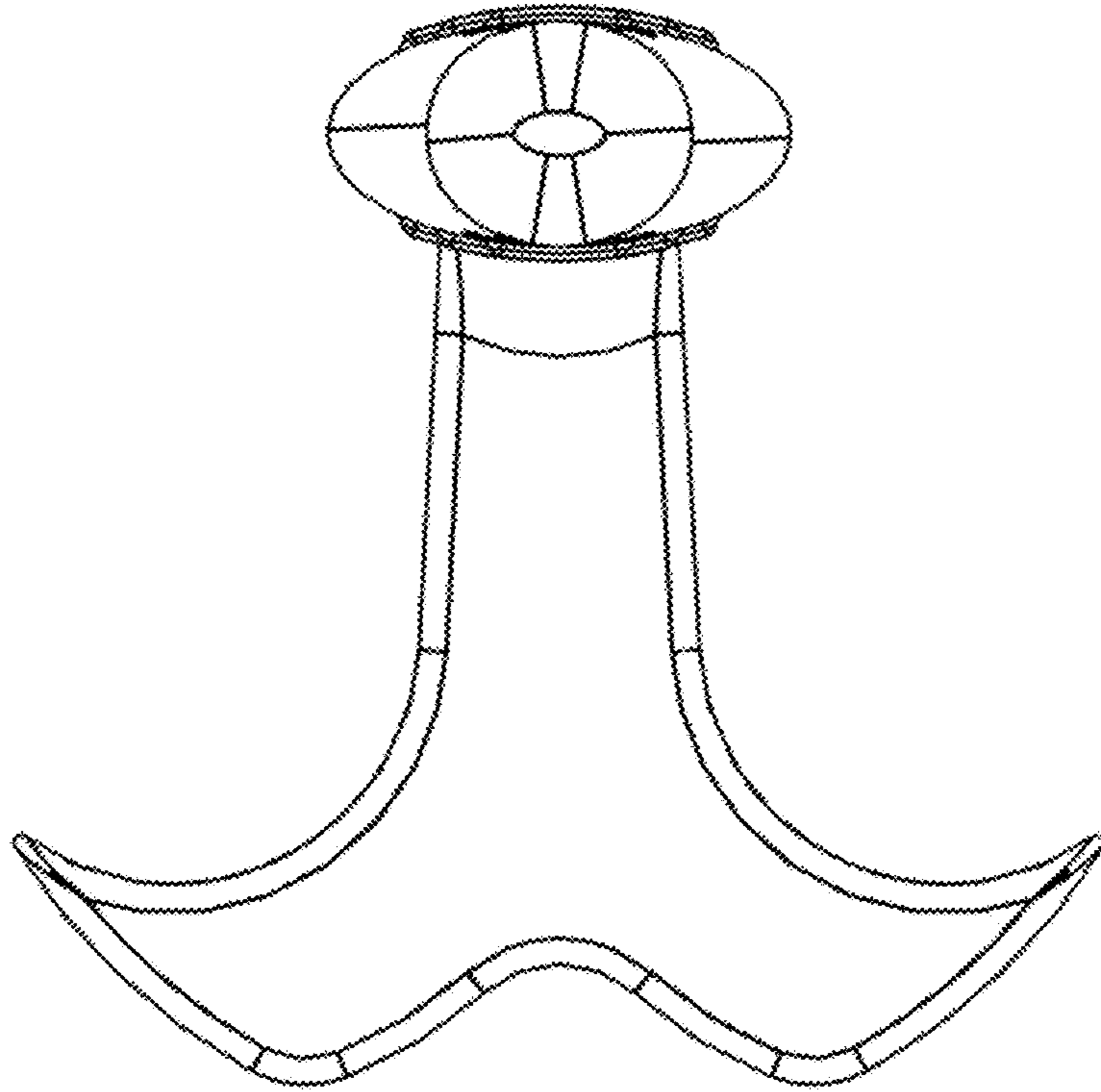


FIG. 4

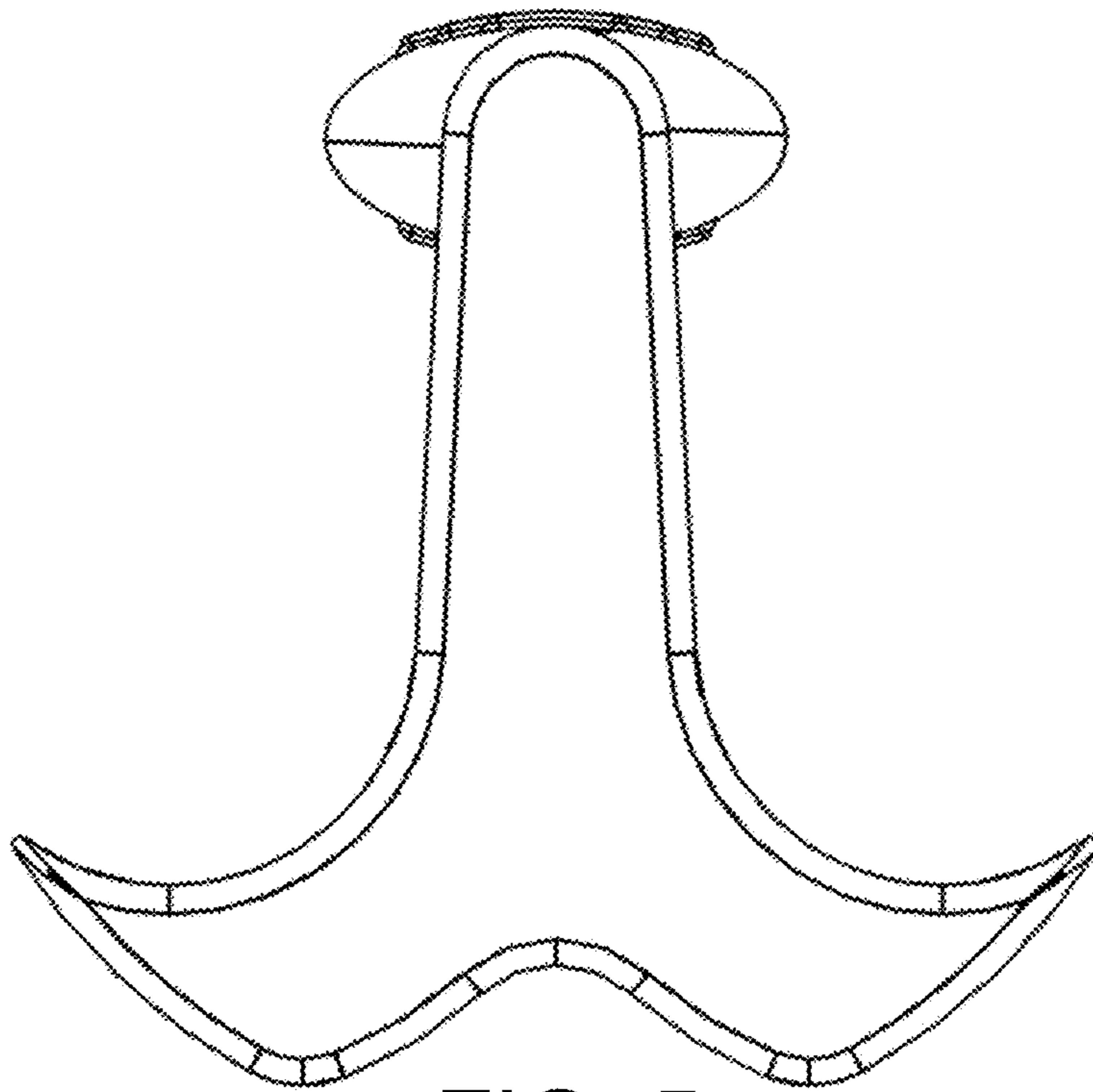


FIG. 5