



US00D929057S

(12) **United States Design Patent** (10) **Patent No.:** **US D929,057 S**
Levy et al. (45) **Date of Patent:** **** Aug. 24, 2021**

(54) **SPONGE CASE**
(71) Applicant: **Navajo Manufacturing Company, Inc., Denver, CO (US)**
(72) Inventors: **Gordon Levy, Golden, CO (US); Shawn A. Shelton, Highlands Ranch, CO (US)**
(73) Assignee: **Navajo Manufacturing Company, Inc., Denver, CO (US)**
(**) Term: **15 Years**
(21) Appl. No.: **29/686,446**
(22) Filed: **Apr. 4, 2019**
(51) **LOC (13) Cl.** **07-05**
(52) **U.S. Cl.**
USPC **D32/40**
(58) **Field of Classification Search**
USPC D3/201, 272-274; D32/40-43, 1;
D7/546, 601-602, 354; D28/73
CPC B65D 43/02
See application file for complete search history.

D724,805 S * 3/2015 Israni D32/40
D725,846 S * 3/2015 Lambert D30/158
D747,621 S * 1/2016 Amerson D7/354
D786,515 S * 5/2017 Pindzola D32/1
D794,271 S * 8/2017 Allenback D32/40
D874,126 S * 2/2020 Peters D3/201
D876,814 S * 3/2020 Allen D3/201
D896,457 S * 9/2020 Shamoon D32/40
D898,310 S * 10/2020 Miller D32/1
D915,694 S * 4/2021 He D32/1

FOREIGN PATENT DOCUMENTS

WO WO D096483-004 * 6/2017

OTHER PUBLICATIONS

L.O.V Make-Up Sponge Case | beautyPALAST.ch, https://beautypalast.ch/en/shop/product/17770/BRAND_172/Make-Up%20Sponge%20Case, site visited May 7, 2021.*

* cited by examiner

Primary Examiner — John R Yeh
(74) *Attorney, Agent, or Firm* — Studebaker & Brackett PC

(57) **CLAIM**

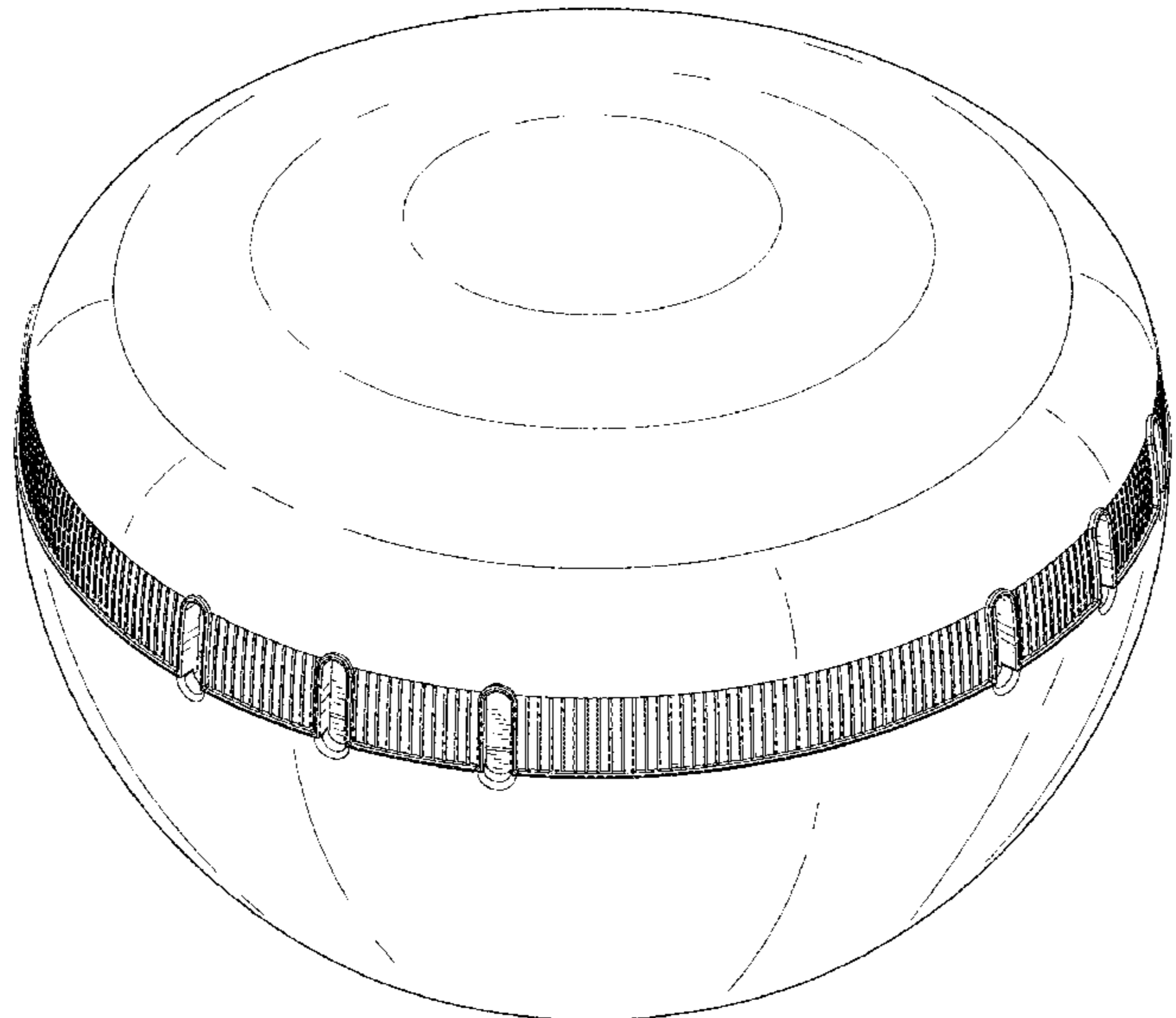
The ornamental design for a sponge case, as shown and described.

DESCRIPTION

FIG. 1 is a front, left, top perspective view showing our new design for a sponge case;
FIG. 2 is a front, left, bottom perspective view thereof;
FIG. 3 is a top view thereof,
FIG. 4 is a bottom view thereof,
FIG. 5 is a front view thereof,
FIG. 6 is a rear view thereof,
FIG. 7 is a right side view thereof; and,
FIG. 8 is a left side view thereof.

1 Claim, 6 Drawing Sheets

(56) **References Cited**
U.S. PATENT DOCUMENTS
D161,793 S * 1/1951 Sellon, Jr. D7/354
D464,774 S * 10/2002 Kay D32/1
D575,016 S * 8/2008 Shaw D32/40
D577,248 S * 9/2008 Currie D7/354
D633,332 S * 3/2011 Sarnoff D7/354
D634,115 S * 3/2011 Long, Jr. D3/201
D649,341 S * 11/2011 Long, Jr. D3/201
D651,865 S * 1/2012 Smyers D7/630
8,327,493 B2 * 12/2012 Armaly, Jr. B32B 3/26
15/244.3
D674,565 S * 1/2013 Koenig D32/40
D688,551 S * 8/2013 Wahl D9/426
8,505,150 B2 * 8/2013 Armaly, Jr. B32B 5/32
15/244.3



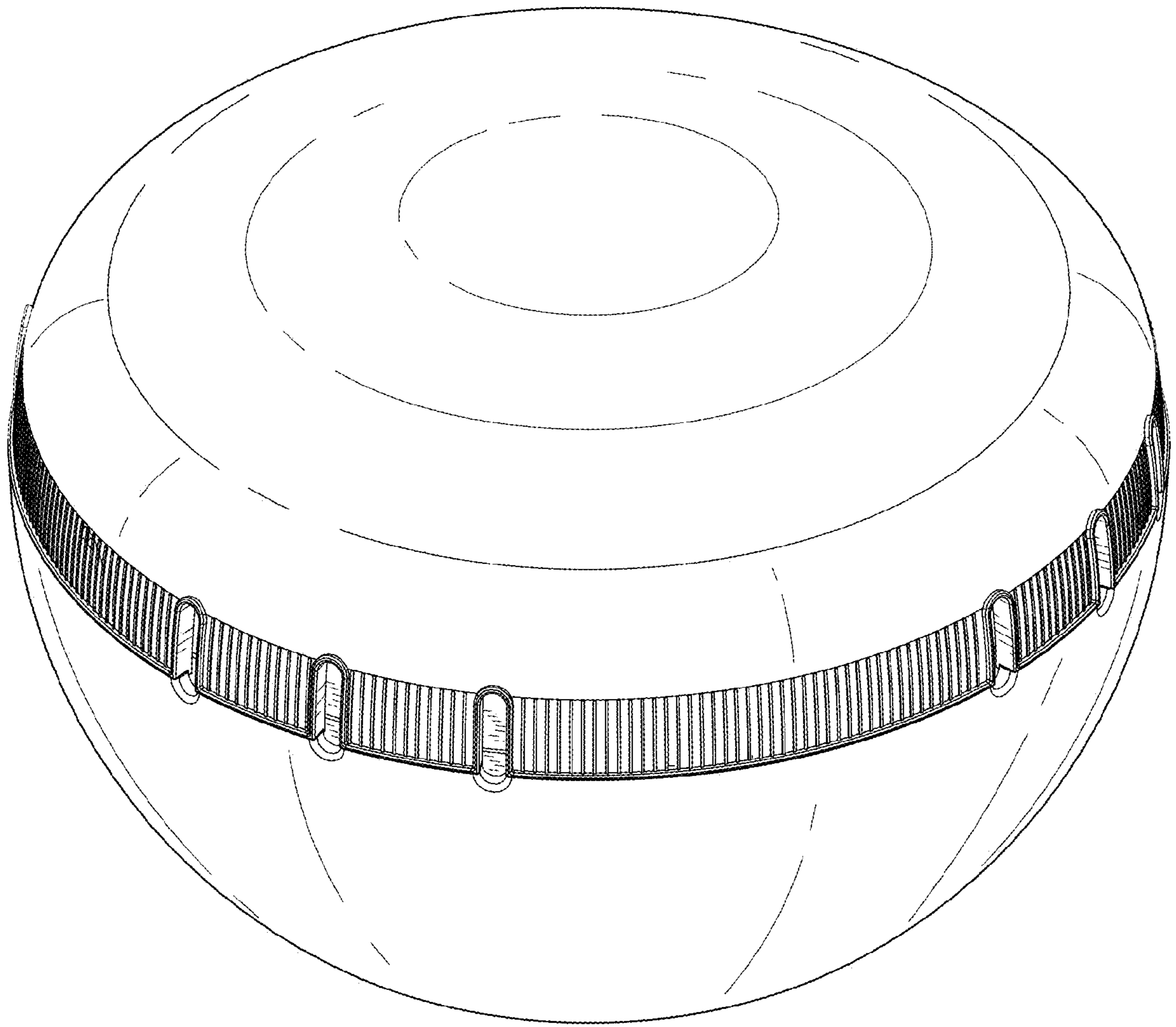


FIG. 1

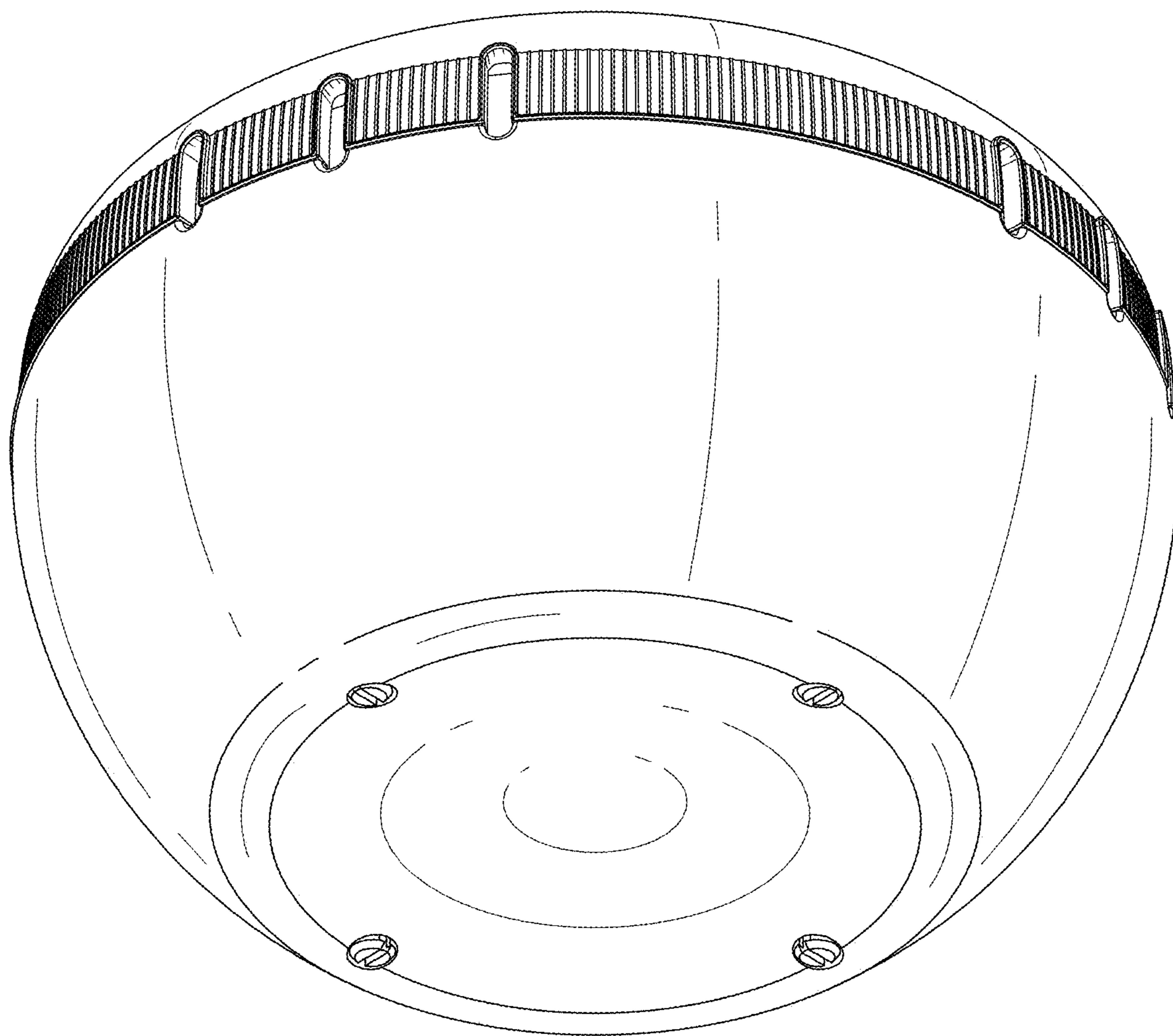


FIG. 2

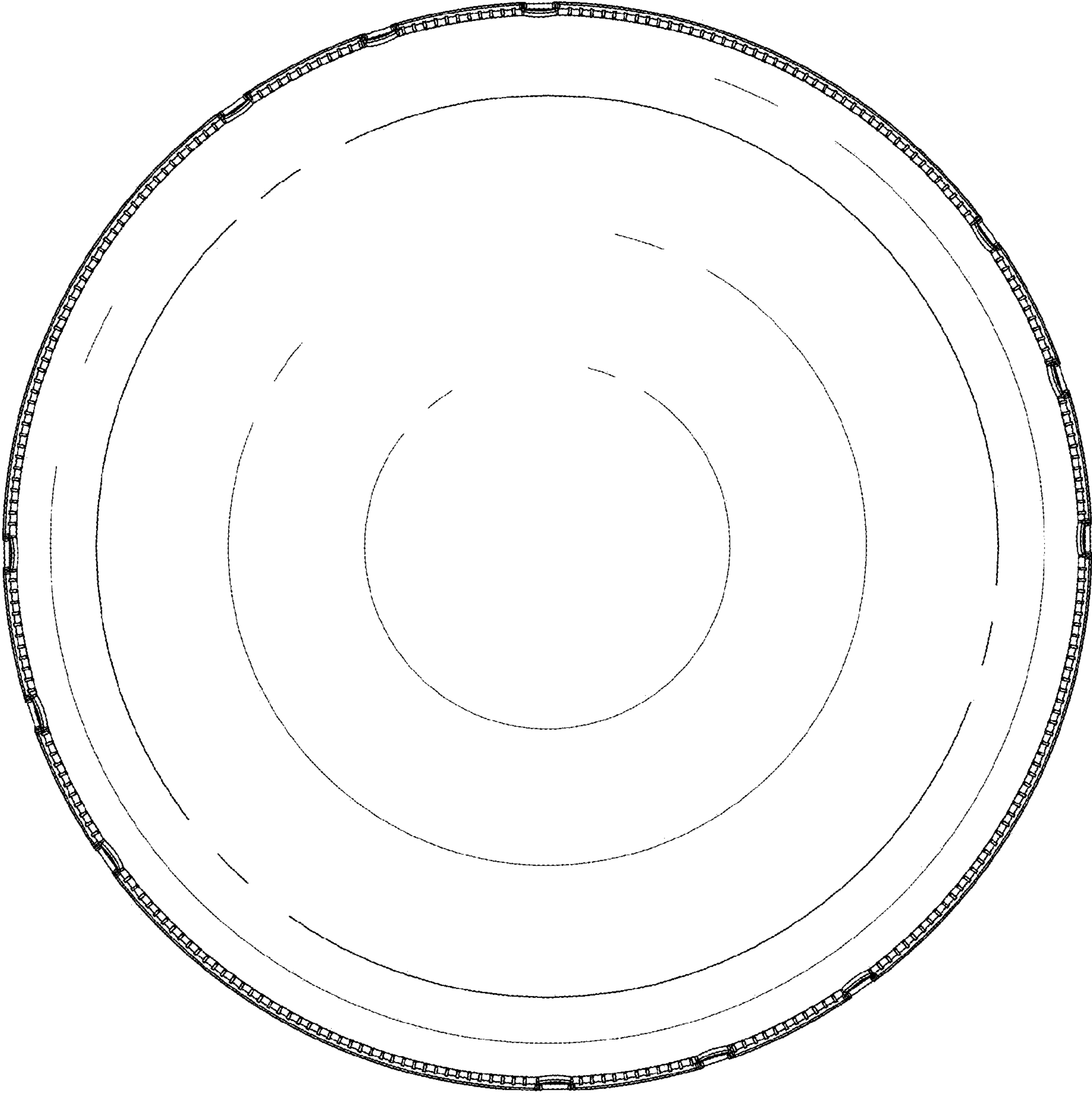


FIG. 3

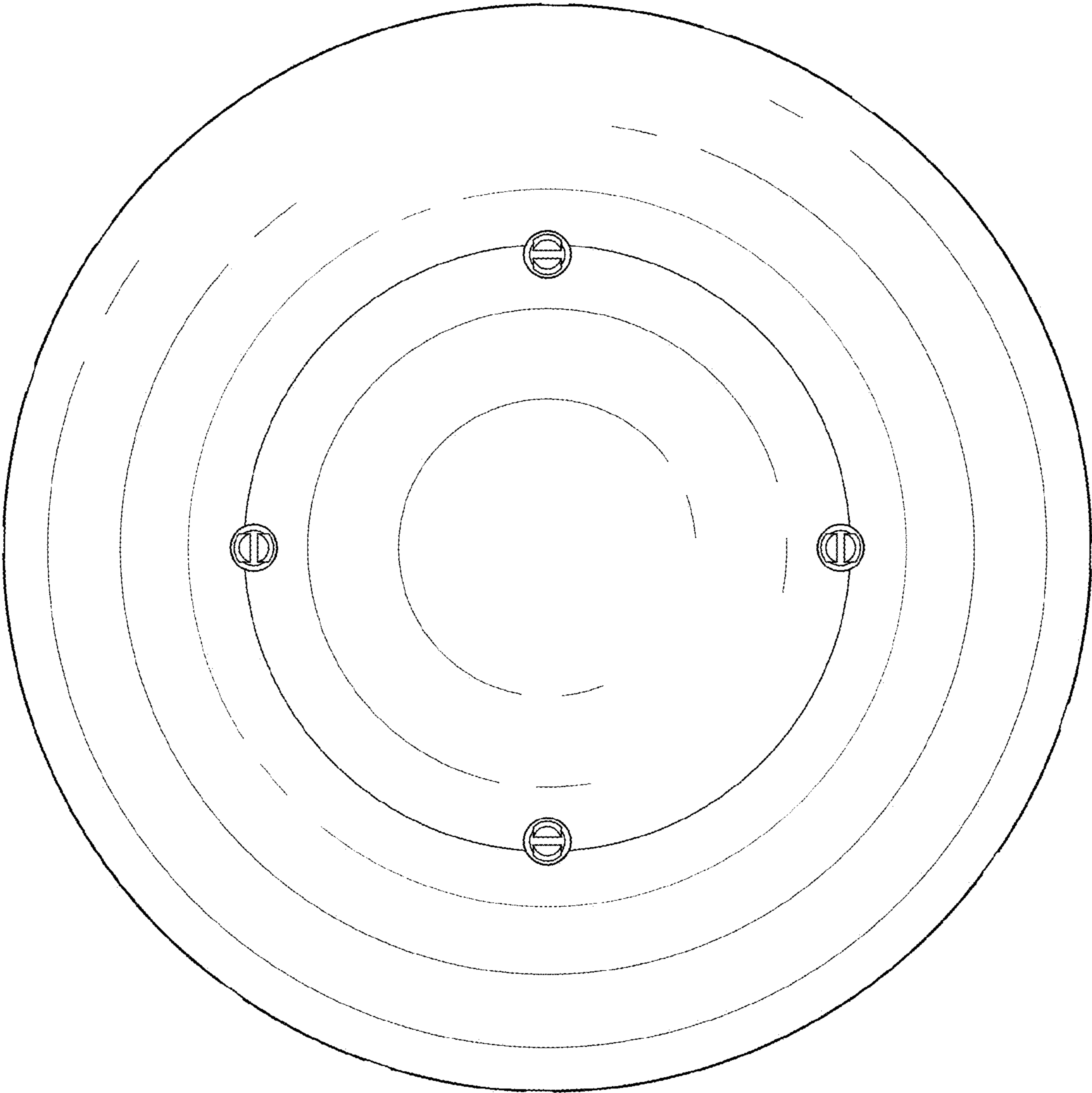


FIG. 4

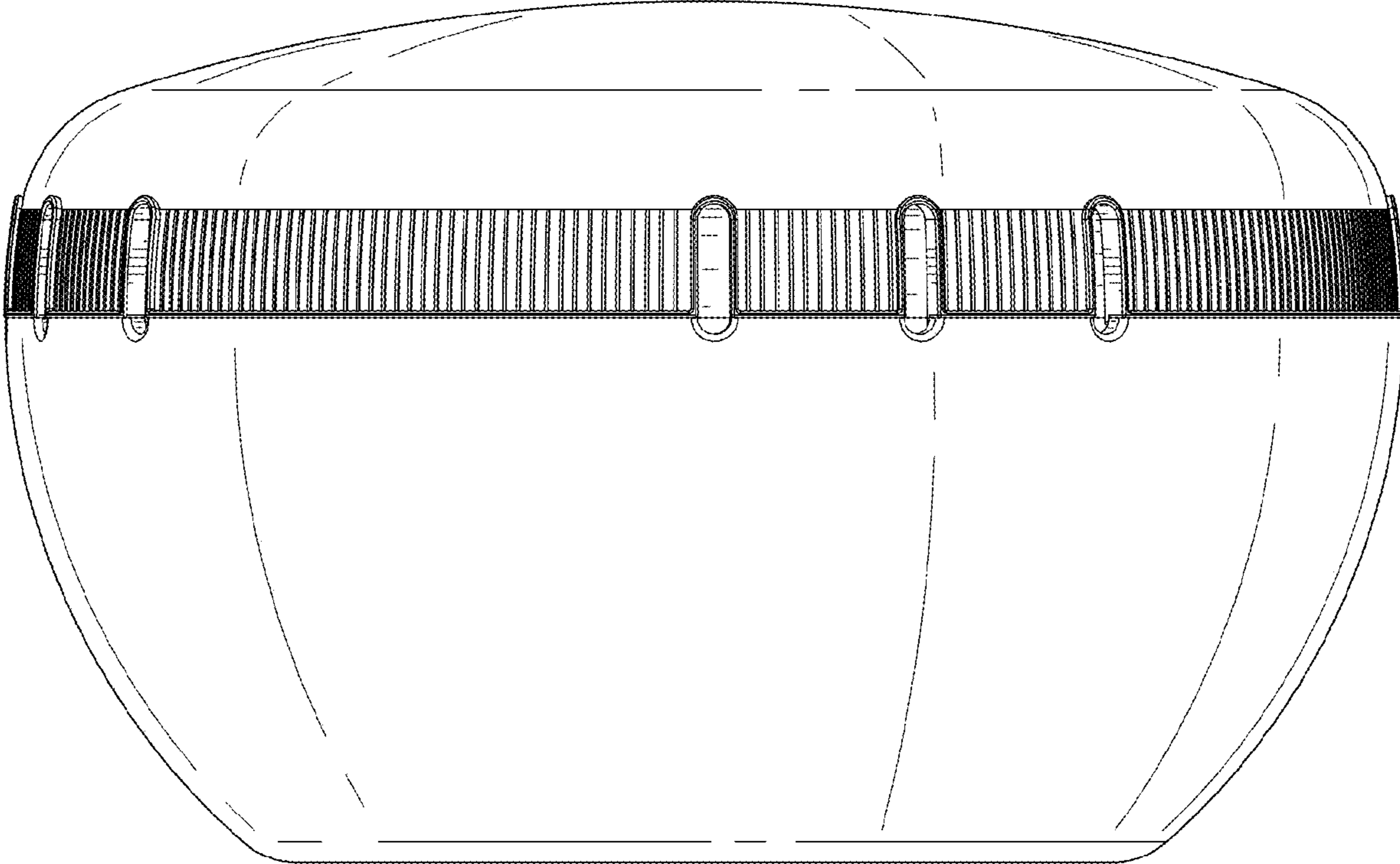


FIG. 5

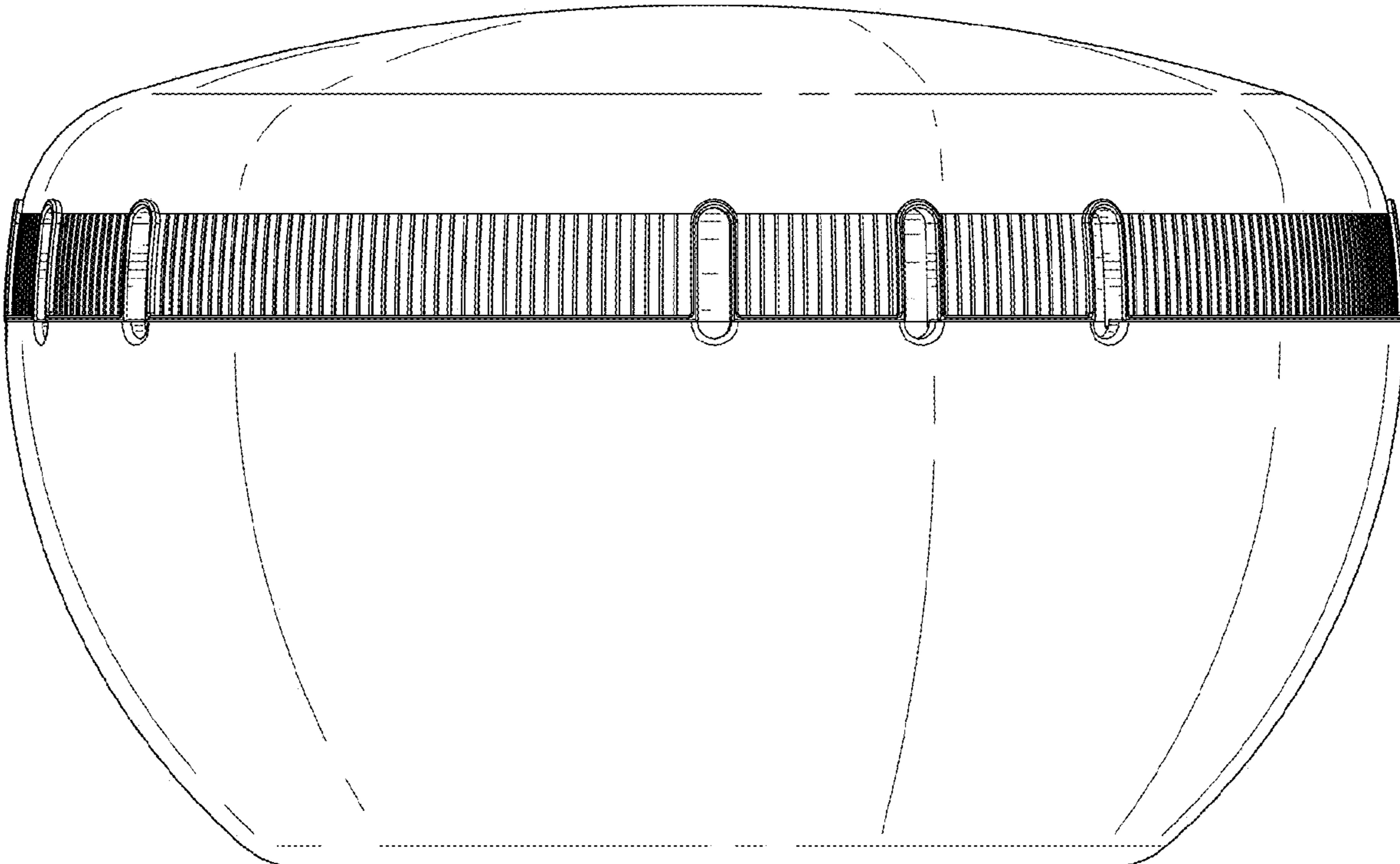


FIG. 6

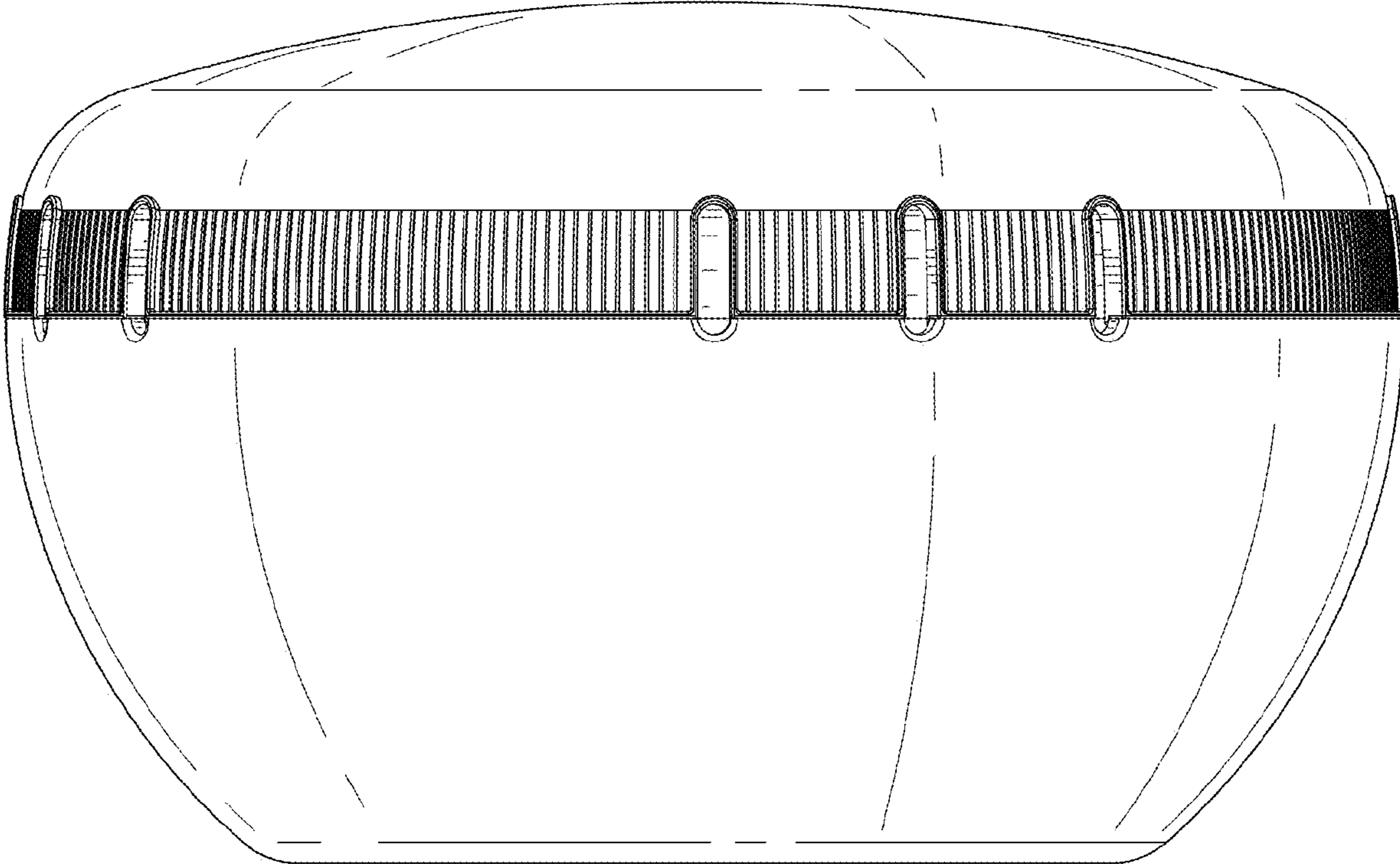


FIG. 7

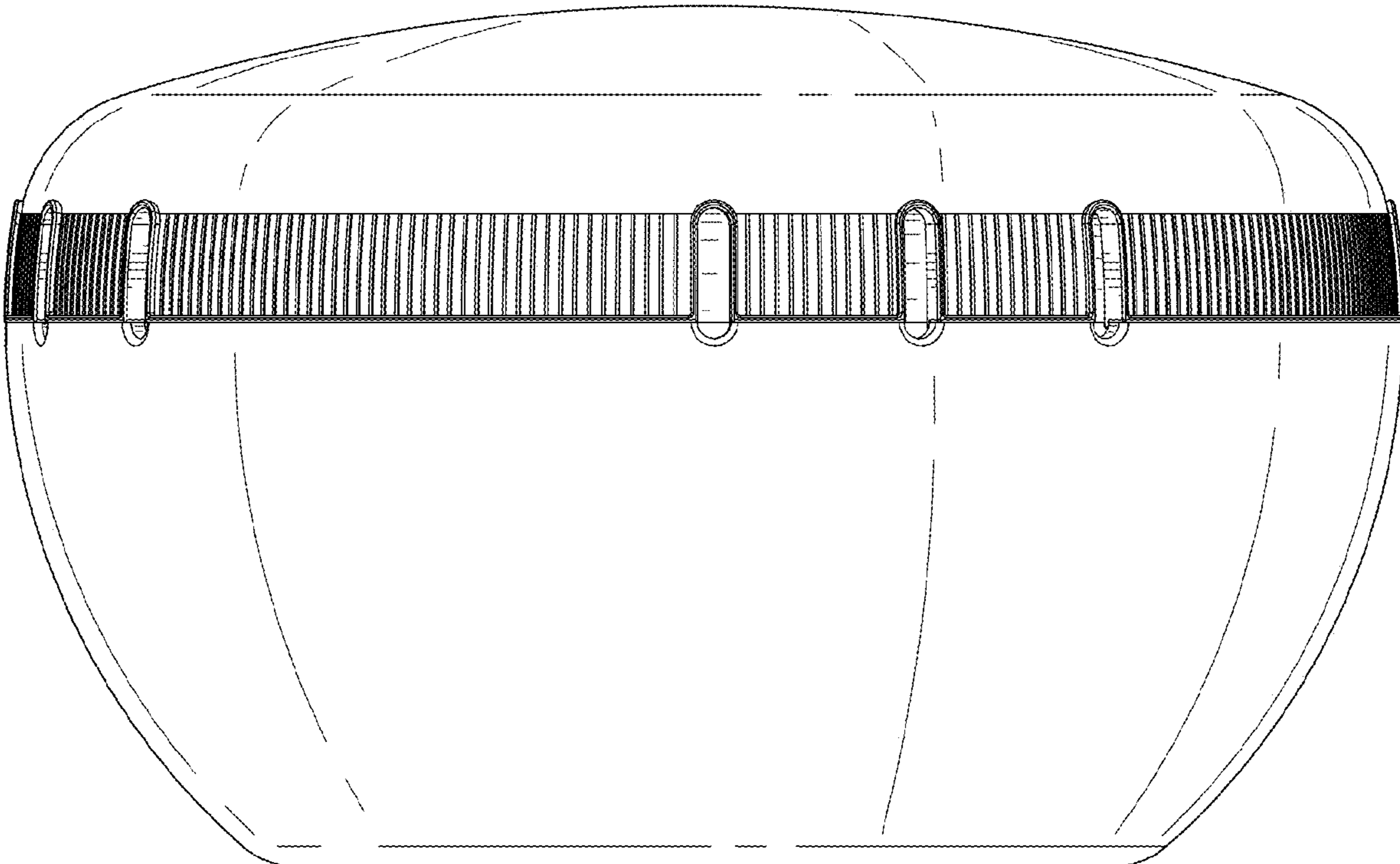


FIG. 8