



US00D929055S

(12) **United States Design Patent**
Palladino et al.

(10) **Patent No.:** **US D929,055 S**

(45) **Date of Patent:** **** Aug. 24, 2021**

(54) **SURFACE CLEANING HEAD WITH LEADING ROLLER**

4,627,127 A 12/1986 Dupre
5,239,721 A * 8/1993 Zahuranec A47L 11/32
15/41.1

(71) Applicant: **SHARKNINJA OPERATING LLC**,
Needham, MA (US)

D348,548 S 7/1994 Pino
(Continued)

(72) Inventors: **Gary V. Palladino**, Somerville, MA
(US); **Owen Rhys Alban Johnson**,
Needham, MA (US); **Junghwan Chei**,
Chestnut Hill, MA (US)

FOREIGN PATENT DOCUMENTS

DE 102010017211 A1 12/2011
DE 102010017258 A1 12/2011
(Continued)

(73) Assignee: **SHARKNINJA OPERATING LLC**,
Needham, MA (US)

OTHER PUBLICATIONS

(**) Term: **15 Years**

The new Shark Rocket Complete (on-line), dated Jan. 5, 2017.
Retrieved from Internet Jun. 20, 2020, URL: <https://www.vacuumsguide.com/shark-rocket-complete-duoclean/> (3 pages) (Year: 2017).*

(21) Appl. No.: **29/670,812**

(Continued)

(22) Filed: **Nov. 20, 2018**

Related U.S. Application Data

(60) Division of application No. 29/600,589, filed on Apr.
13, 2017, now Pat. No. Des. 837,470, which is a
continuation of application No. 29/559,436, filed on
Mar. 28, 2016, now Pat. No. Des. 799,767.

(51) **LOC (13) Cl.** **15-05**

(52) **U.S. Cl.**
USPC **D32/33; D32/31**

(58) **Field of Classification Search**
USPC **D32/31, 32, 33**
See application file for complete search history.

(56) **References Cited**

U.S. PATENT DOCUMENTS

4,138,762 A 2/1979 Jost et al.
4,209,873 A * 7/1980 Schaefer A47L 5/30
15/182
4,372,004 A 2/1983 Vermillion

Primary Examiner — Kimberly Barnes

(74) *Attorney, Agent, or Firm* — Grossman, Tucker,
Perreault & Pfleger, PLLC

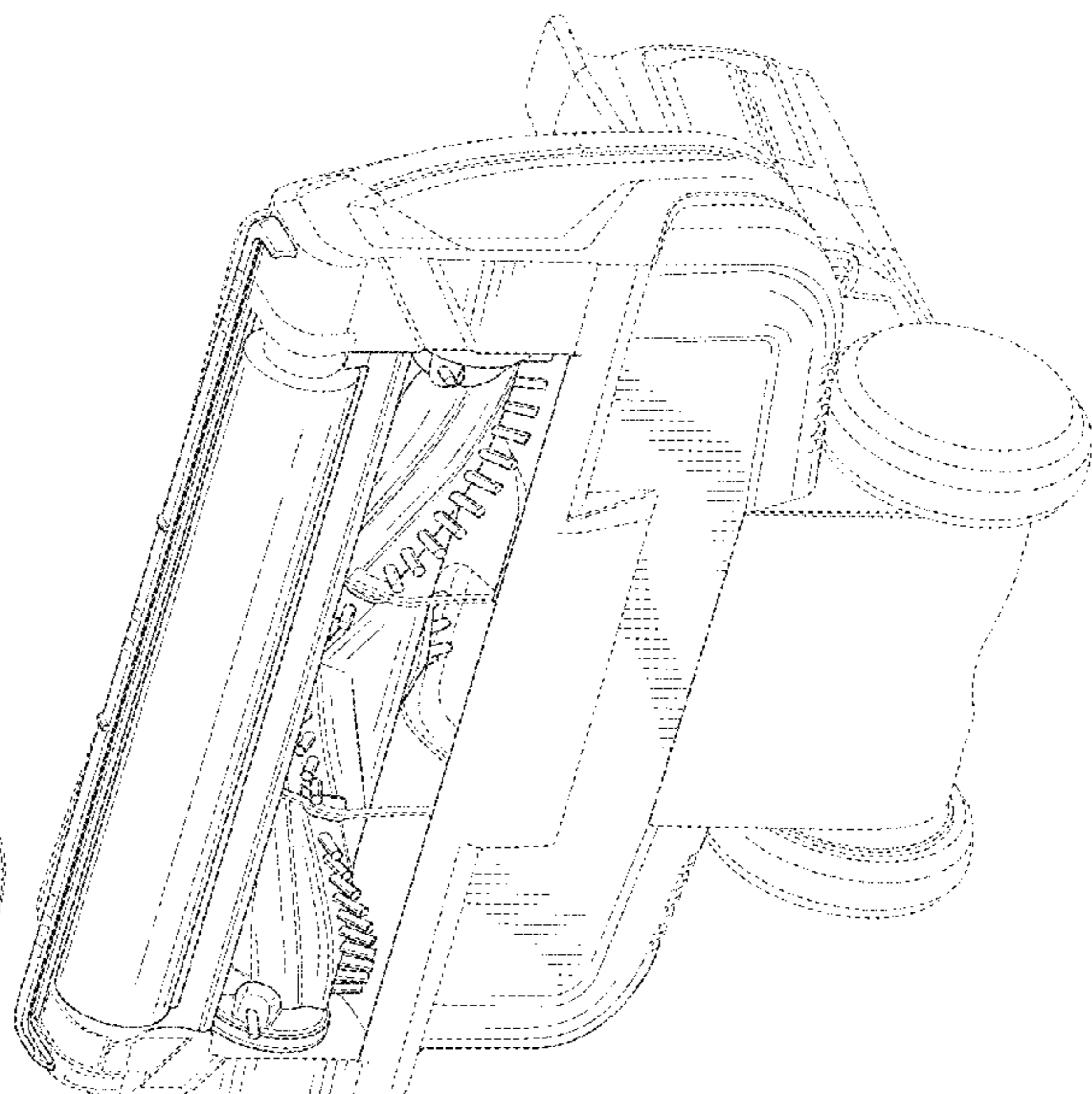
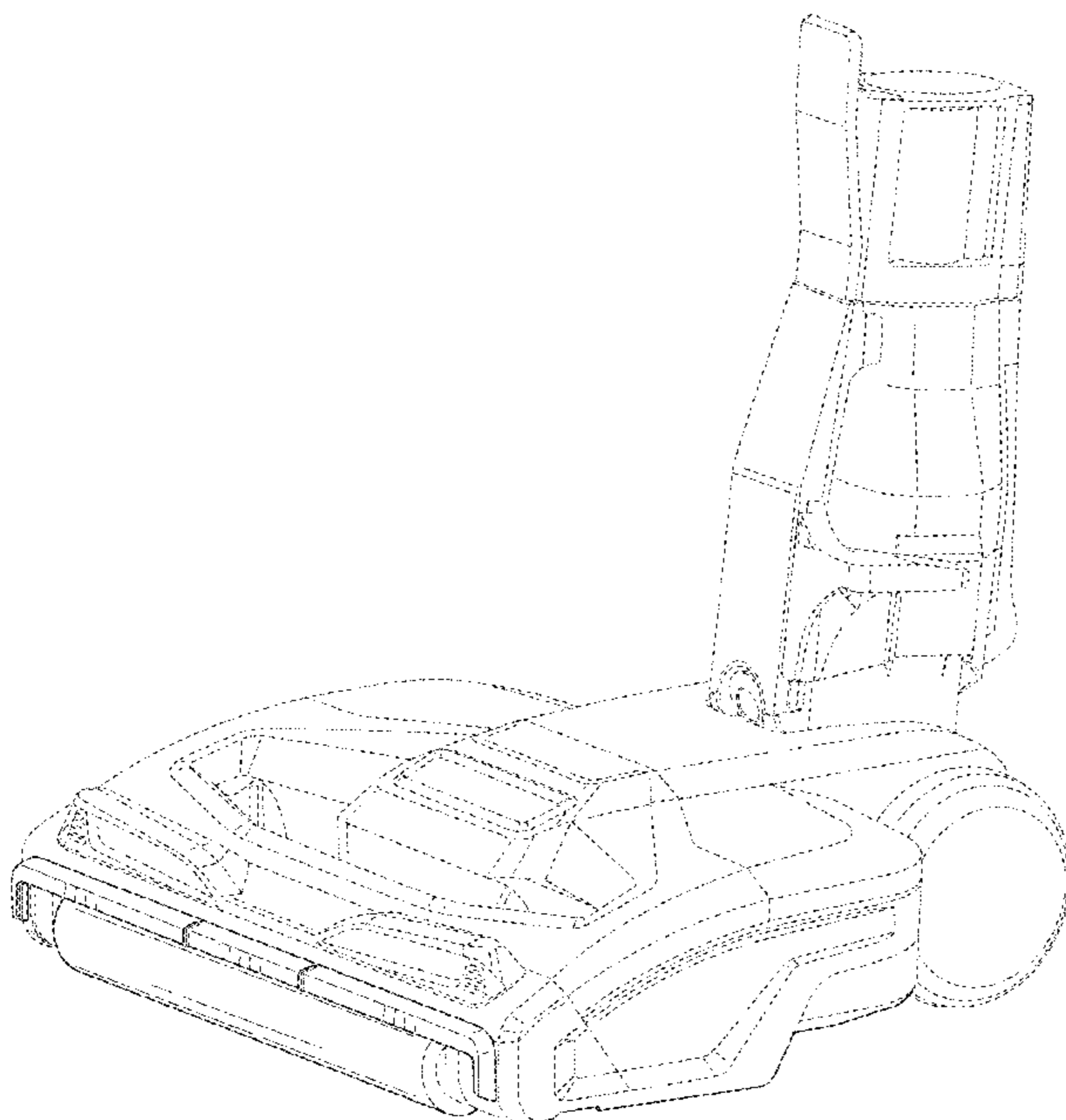
(57) **CLAIM**

We claim the ornamental design for a surface cleaning head
with leading roller, as shown and described.

DESCRIPTION

FIG. 1 is a top perspective view of a surface cleaning head
with leading roller showing our new design;
FIG. 2 is a front view thereof;
FIG. 3 is a bottom view thereof;
FIG. 4 is a right side bottom perspective view thereof; and,
FIG. 5 is a left side bottom perspective view thereof.
The evenly broken lines depict portions of the surface
cleaning head with leading roller that forms no part of the
claimed design. The dot-dash broken lines represent the
boundary of the claim and form no part thereof.

1 Claim, 5 Drawing Sheets



(56)

References Cited

U.S. PATENT DOCUMENTS

5,495,634 A * 3/1996 Brundula A47L 5/30
15/179

5,960,514 A 10/1999 Miller et al.
D431,698 S * 10/2000 Hoshide D32/31
D440,019 S 4/2001 Mehaffey et al.
6,237,188 B1 5/2001 Takemoto et al.
6,463,623 B2 * 10/2002 Ahn A47L 5/30
15/364

D471,332 S * 3/2003 Haegermarck D32/31
D478,698 S * 8/2003 Mertes D32/31
D518,258 S * 3/2006 Hamm D32/31
7,171,723 B2 2/2007 Kobayashi et al.
7,328,479 B2 2/2008 Willenbring
D619,315 S 7/2010 Ayers
D635,728 S 4/2011 Fjellman
7,979,952 B2 7/2011 Beskow et al.
D647,265 S * 10/2011 Follows D32/31
D655,468 S 3/2012 Karsan
D668,010 S 9/2012 Stickney et al.
8,402,600 B2 3/2013 Beskow et al.
D680,287 S * 4/2013 Morgan D32/31
D680,289 S * 4/2013 Gray D32/31
D681,291 S * 4/2013 Morgan D32/31
8,745,818 B2 6/2014 Iles et al.
D728,877 S * 5/2015 Therrien D32/31
9,027,198 B2 5/2015 Conrad
D731,130 S 6/2015 Dyson et al.
D731,134 S 6/2015 Dyson et al.
D731,136 S 6/2015 Yun et al.
D731,720 S 6/2015 Gidwell et al.
D731,724 S 6/2015 Cheon et al.
9,066,640 B2 6/2015 Iles et al.
D738,583 S 9/2015 Gidwell et al.
D738,584 S 9/2015 Niedzwecki
9,144,356 B2 9/2015 Yun
D741,558 S 10/2015 Kerr
D742,083 S 10/2015 Gidwell et al.
D743,123 S 11/2015 Chu
D745,231 S 12/2015 Niedzwecki
D747,052 S * 1/2016 Therrien D32/31
D747,571 S 1/2016 Dyson
D747,572 S 1/2016 Kerr
9,314,140 B2 4/2016 Eriksson
D761,507 S * 7/2016 Heck D32/31
9,451,853 B2 9/2016 Conrad et al.
D770,111 S 10/2016 Lee et al.
9,468,346 B1 10/2016 Rzepka
D771,890 S 11/2016 Kim
D772,512 S 11/2016 Yoon et al.
D773,139 S 11/2016 Palladino
D774,260 S 12/2016 Manning
D785,883 S * 5/2017 Wennerstrom D32/31
D789,007 S 6/2017 Jang et al.
D790,785 S * 6/2017 Courtney D32/31
D792,665 S 7/2017 Salagnac
D796,134 S * 8/2017 LaBarbera D32/31
9,750,383 B2 * 9/2017 Janzen A47L 9/0444
D804,751 S * 12/2017 Johnson D32/22
D814,723 S * 4/2018 Palladino D32/31
9,999,330 B2 * 6/2018 Fang A47L 9/0477
D837,470 S * 1/2019 Palladino D32/33
D846,821 S * 4/2019 Palladino D32/32
D849,345 S * 5/2019 Thorne D32/31
D853,063 S * 7/2019 Johnson D32/33
D855,269 S * 7/2019 Palladino D32/32
D870,406 S * 12/2019 Niedzwecki D32/33
D872,955 S * 1/2020 Thorne D32/32
10,702,108 B2 * 7/2020 Udy A47L 5/34
2002/0124334 A1 9/2002 Worwag
2005/0172447 A1 8/2005 Roney et al.

2006/0191097 A1 8/2006 Baumhake
2009/0229075 A1 9/2009 Eriksson
2010/0107359 A1 5/2010 Yoo
2011/0219571 A1 9/2011 Dyson et al.
2012/0311813 A1 12/2012 Gilbert, Jr. et al.
2013/0139349 A1 6/2013 Iles et al.
2014/0060577 A1 3/2014 Bruders et al.
2014/0150202 A1 6/2014 Schultheis
2014/0196247 A1 7/2014 Kasper et al.
2014/0237760 A1 8/2014 Conrad
2015/0033498 A1 2/2015 McVey
2015/0289735 A1 10/2015 Van Der Kooi et al.
2015/0359396 A1 12/2015 Yun
2016/0058257 A1 3/2016 Ventress et al.
2016/0345795 A1 12/2016 Manning
2017/0127896 A1 * 5/2017 Carter A47L 9/0405
2017/0347848 A1 * 12/2017 Carter A47L 5/30
2020/0046184 A1 * 2/2020 Freese A47L 9/06

FOREIGN PATENT DOCUMENTS

EP 1994869 11/2008
EP 2218385 A3 3/2013
EP 2543301 9/2013
GB 2109224 6/1983
GB 2476811 7/2011
GB 2529819 9/2016
JP 03228721 A 10/1991
JP 05228083 A 9/1993
JP 2639155 B2 8/1997
JP H11187997 A 7/1999
JP 2001120473 A 5/2001
JP 2003339589 A 12/2003
JP 2004222912 A 8/2004
JP 2006247229 A 9/2006
JP 2006312066 A 11/2006
KR 100593324 B1 6/2006
WO 9210967 A1 7/1992
WO 2009117383 9/2009
WO 2011083294 A1 7/2011
WO 2014177216 11/2014
WO 2015015166 2/2015
WO 2015015167 2/2015
WO 2016034848 3/2016

OTHER PUBLICATIONS

International Search Report and Written Opinion dated Mar. 17, 2017 in corresponding PCT Patent Application No. PCT/US 16/58155, 12 pgs.
International Search Report and Written Opinion dated Mar. 24, 2017 in corresponding PCT Patent Application No. PCT/US 16/58148, 14 pgs.
English translation of Korean Office Action dated May 31, 2019, received in Korean Application No. 10-2018-7014186, 8 pgs.
Extended European Search Report dated Mar. 28, 2019, received in EP Application No. 16858305.2, 7 pgs.
English translation of Japanese Office Action dated May 21, 2019, received in Japanese Application No. 2018-520541, 11 pgs.
English translation of Korean Office Action dated Apr. 30, 2019, received in Korean Application No. 10-2018-7014180, 11 pgs.
U.S. Office Action dated May 3, 2019, received in U.S. Appl. No. 15/331,045, 9 pgs.
Extended European Search Report issued Apr. 3, 2019, received in EP Application No. 16858308.6, 7 pgs.
English translation of Japanese Office Action dated Apr. 1, 2019, received in Japanese Application No. 2017-557189, 6 pgs.
U.S. Office Action dated May 15, 2019, received in U.S. Appl. No. 15/492,320, 13 pgs.

* cited by examiner

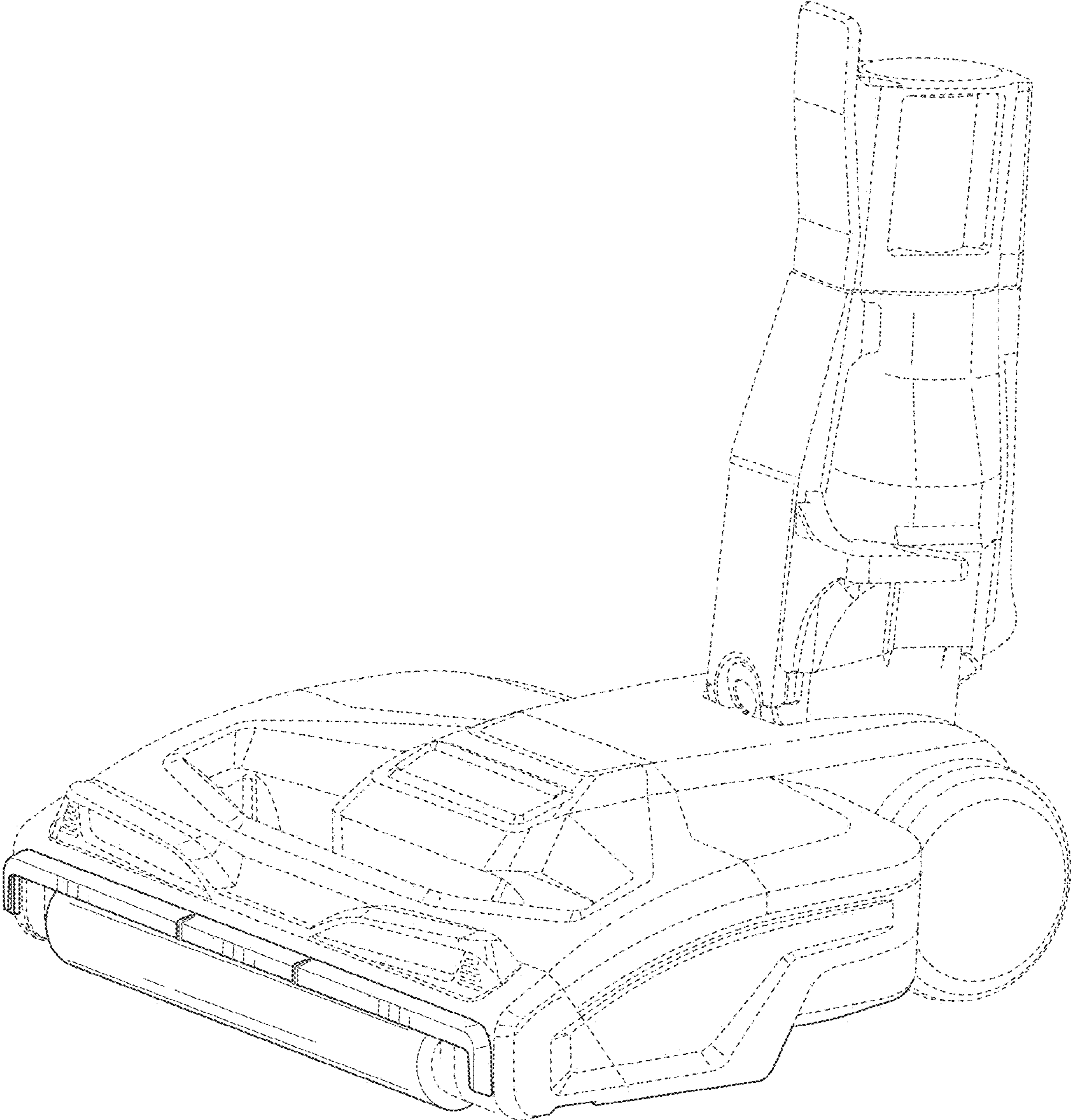


FIG. 1

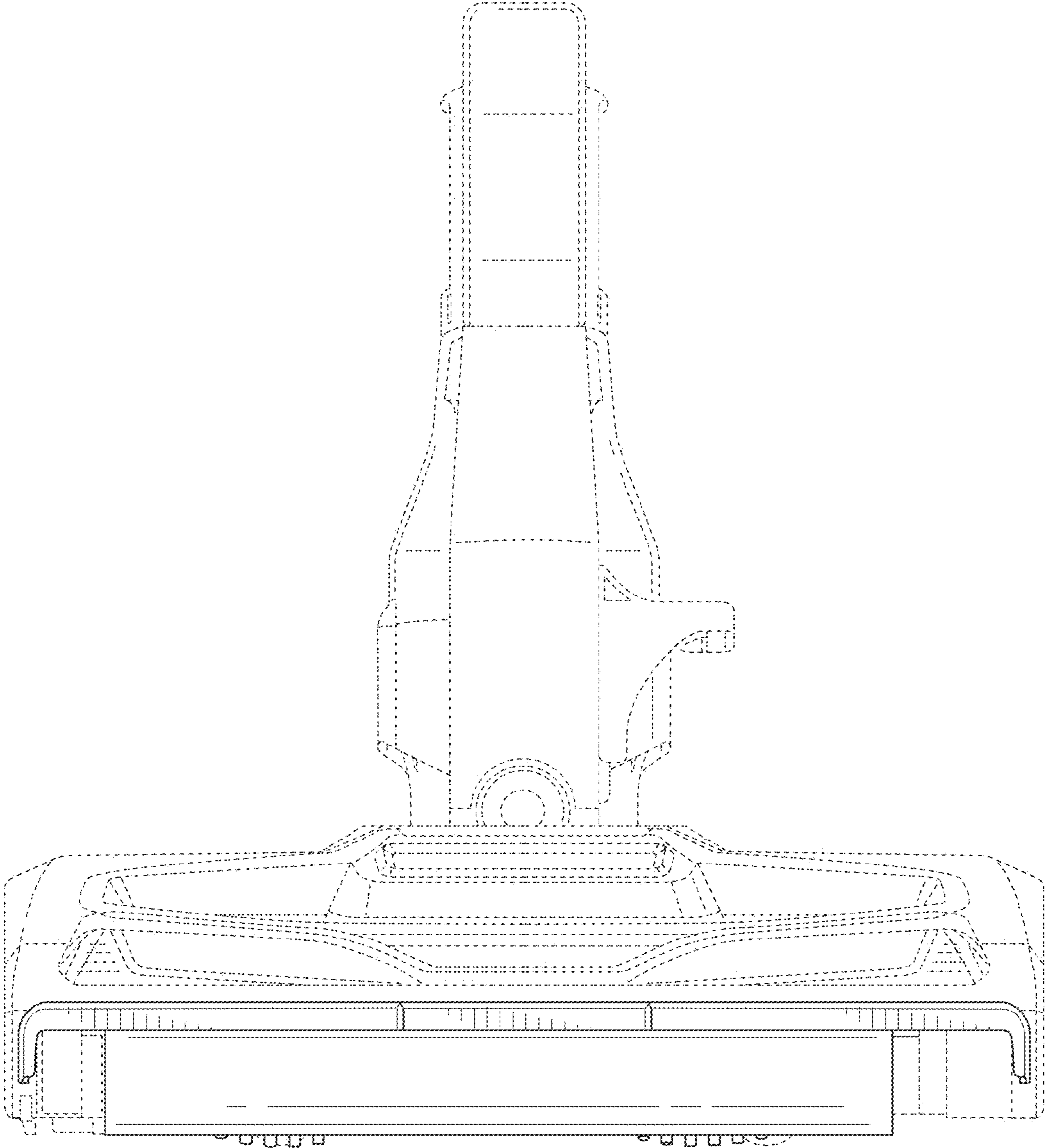


FIG. 2

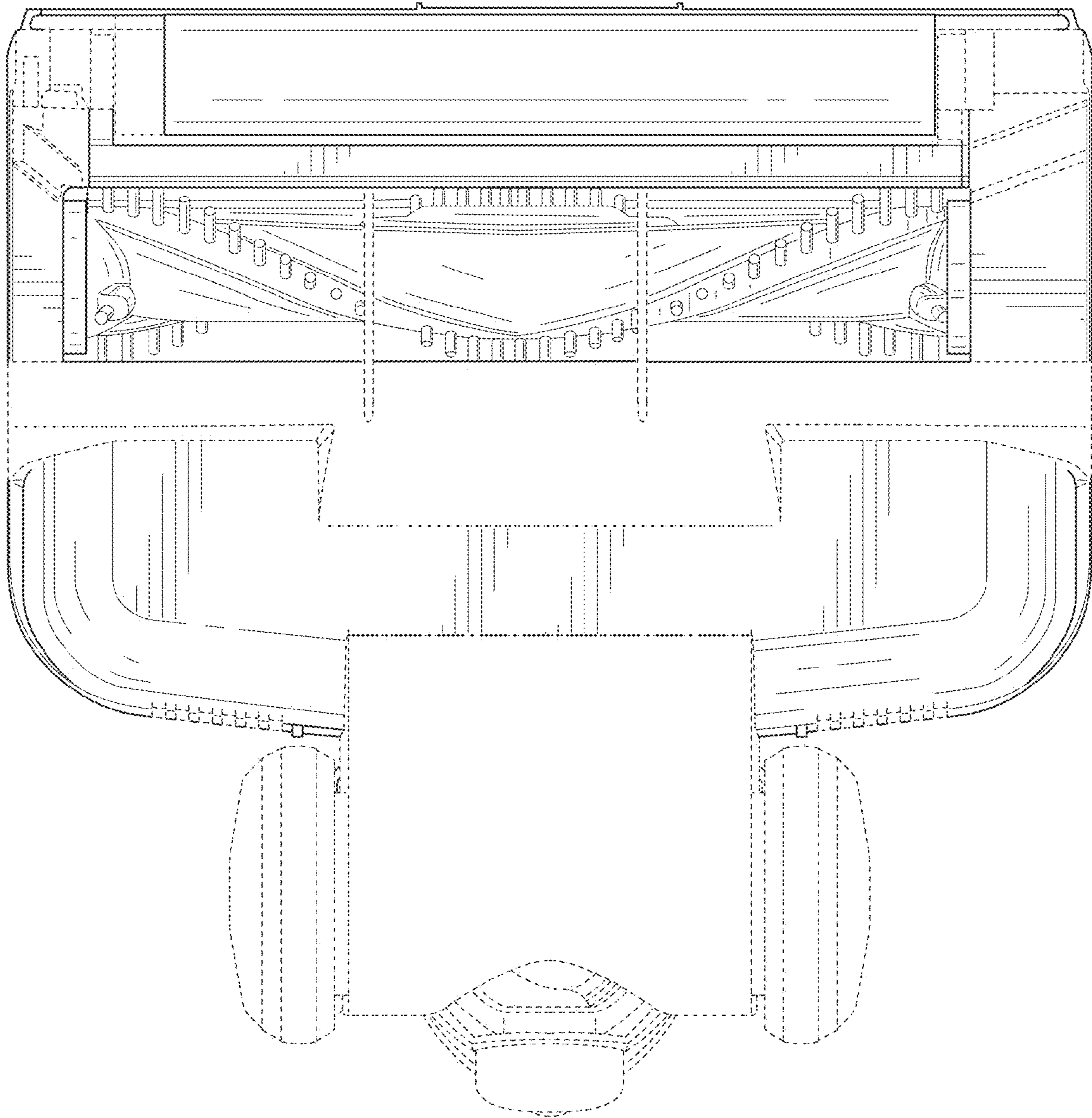


FIG. 3

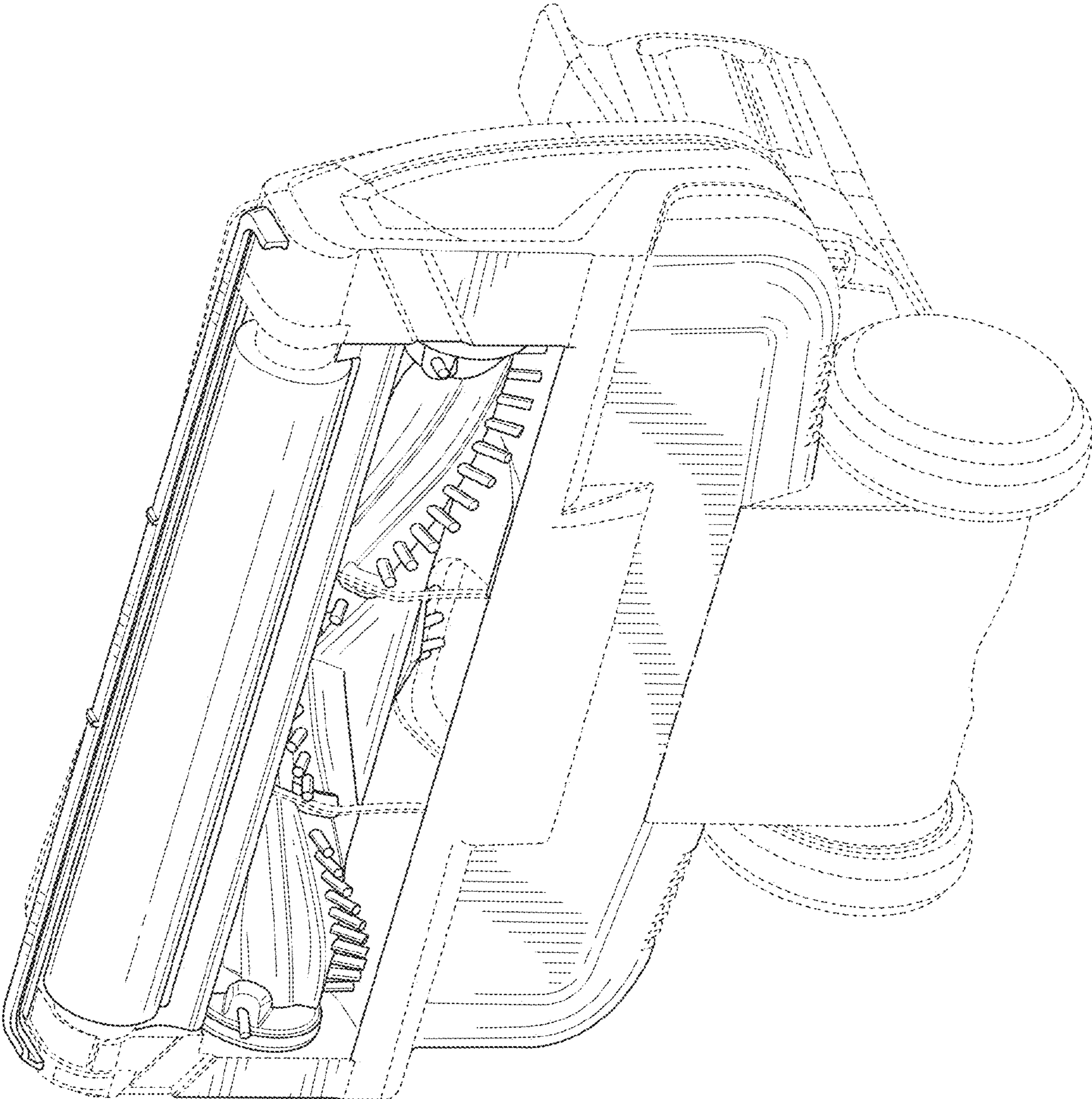


FIG. 4

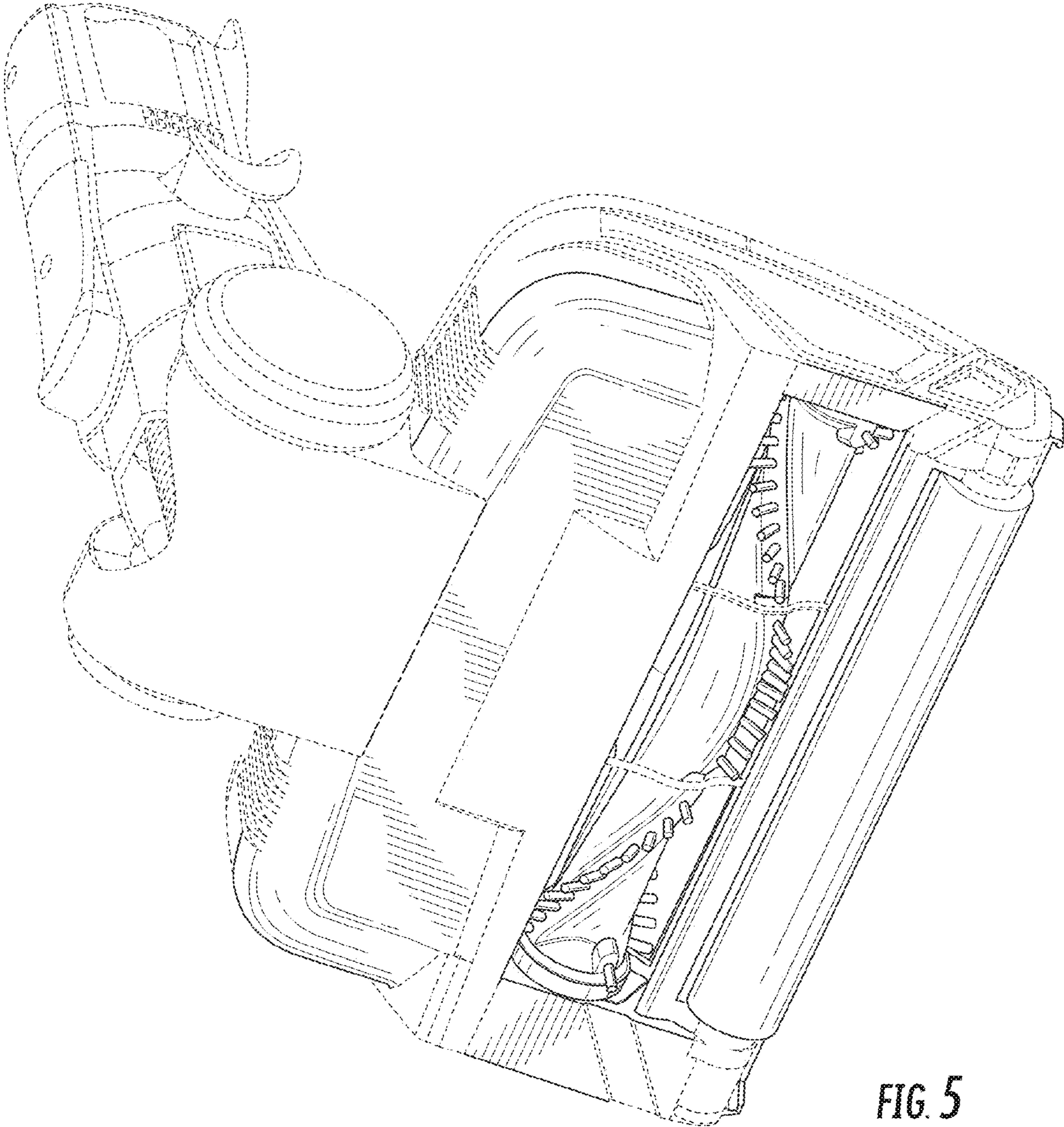


FIG. 5