



US00D929054S

(12) **United States Design Patent**
Hellsten

(10) **Patent No.:** **US D929,054 S**

(45) **Date of Patent:** **** Aug. 24, 2021**

(54) **TABLETOP MANGLE**
(71) Applicant: **Picote Solutions Oy Ltd.**, Porvoo (FI)
(72) Inventor: **Ilkka Hellsten**, Oulu (FI)
(73) Assignee: **Picote Solutions Oy Ltd.**, Porvoo (FI)
(**) Term: **15 Years**

2,940,194 A * 6/1960 Kinzelman D06F 61/08
38/49
3,053,070 A * 9/1962 Bjorck D06F 61/00
68/249
D225,451 S * 12/1972 Jimenez D32/9
3,791,055 A * 2/1974 Bazelmans D06F 67/04
38/11

(Continued)

(21) Appl. No.: **29/734,489**
(22) Filed: **May 13, 2020**
(51) **LOC (13) Cl.** **15-05**
(52) **U.S. Cl.**
USPC **D32/25**
(58) **Field of Classification Search**
USPC D15/122, 123, 124, 125, 126, 138, 140,
D15/141; D32/5, 6, 7, 9, 19, 25, 27
CPC D06F 65/08; D06F 69/02; Y10T 74/18168
See application file for complete search history.

FOREIGN PATENT DOCUMENTS

DE 3220167 A1 * 12/1983 D06F 69/02
DE 3223495 A1 * 12/1983 D06F 67/00
DE 3513719 A1 * 10/1986 D06F 67/00

Primary Examiner — Patricia A Palasik

(74) *Attorney, Agent, or Firm* — Fasth Law Offices; Rolf Fasth

(57) **CLAIM**

The ornamental design for a tabletop mangle, as shown and described.

DESCRIPTION

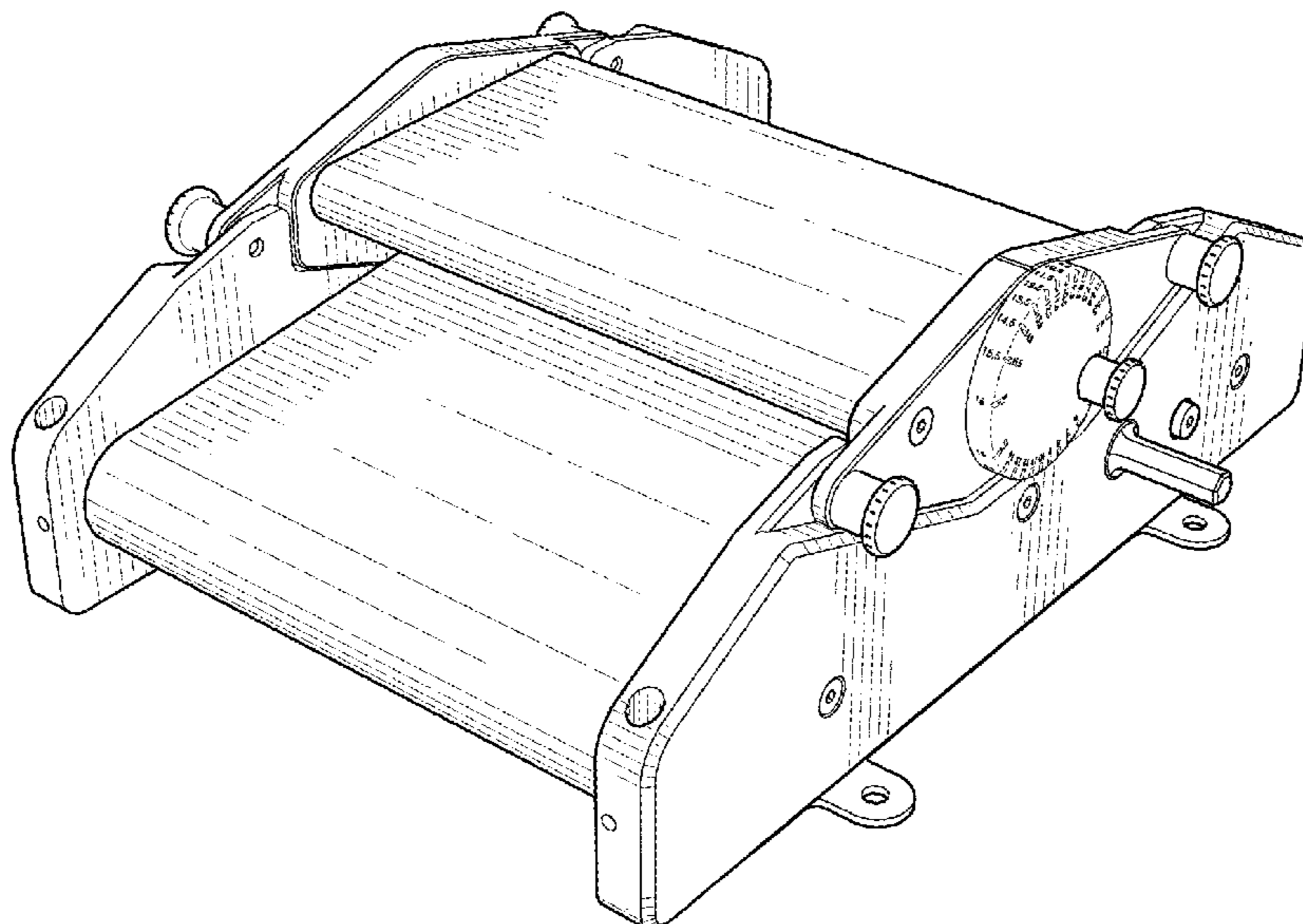
FIG. 1 is a perspective front right top view of the tabletop mangle of the present invention;
FIG. 2 is a perspective rear left top view of the tabletop mangle shown in FIG. 1;
FIG. 3 is an elevational front view of the tabletop mangle shown in FIG. 1;
FIG. 4 is an elevational right view of the tabletop mangle shown in FIG. 1;
FIG. 5 is an elevational rear view of the tabletop mangle shown in FIG. 1;
FIG. 6 is an elevational left view of the tabletop mangle shown in FIG. 1;
FIG. 7 is a top view of the tabletop mangle shown in FIG. 1; and,
FIG. 8 is a bottom view of the tabletop mangle shown in FIG. 1.

(56) **References Cited**

U.S. PATENT DOCUMENTS

1,385,703 A * 7/1921 Norrie D06F 69/02
38/50
1,385,704 A * 7/1921 Norrie D06F 69/02
38/62
1,435,157 A * 11/1922 Gustafson D06F 65/08
38/58
1,449,308 A * 3/1923 Turner D06F 67/02
38/63
1,656,783 A * 1/1928 Fenoughty D06F 65/08
38/58
2,060,273 A * 11/1936 Albright D06F 67/08
38/14
2,364,634 A * 12/1944 Harrison D06F 65/10
38/57
D144,779 S * 5/1946 Gayring D32/9
D148,303 S * 1/1948 Kasten et al. D21/526
2,596,154 A * 5/1952 Keating B32B 27/00
68/244

1 Claim, 8 Drawing Sheets



(56)

References Cited

U.S. PATENT DOCUMENTS

4,300,296 A * 11/1981 Hochstrasser D06F 71/02
38/17
4,489,511 A * 12/1984 Lippold D06F 67/02
38/55

* cited by examiner

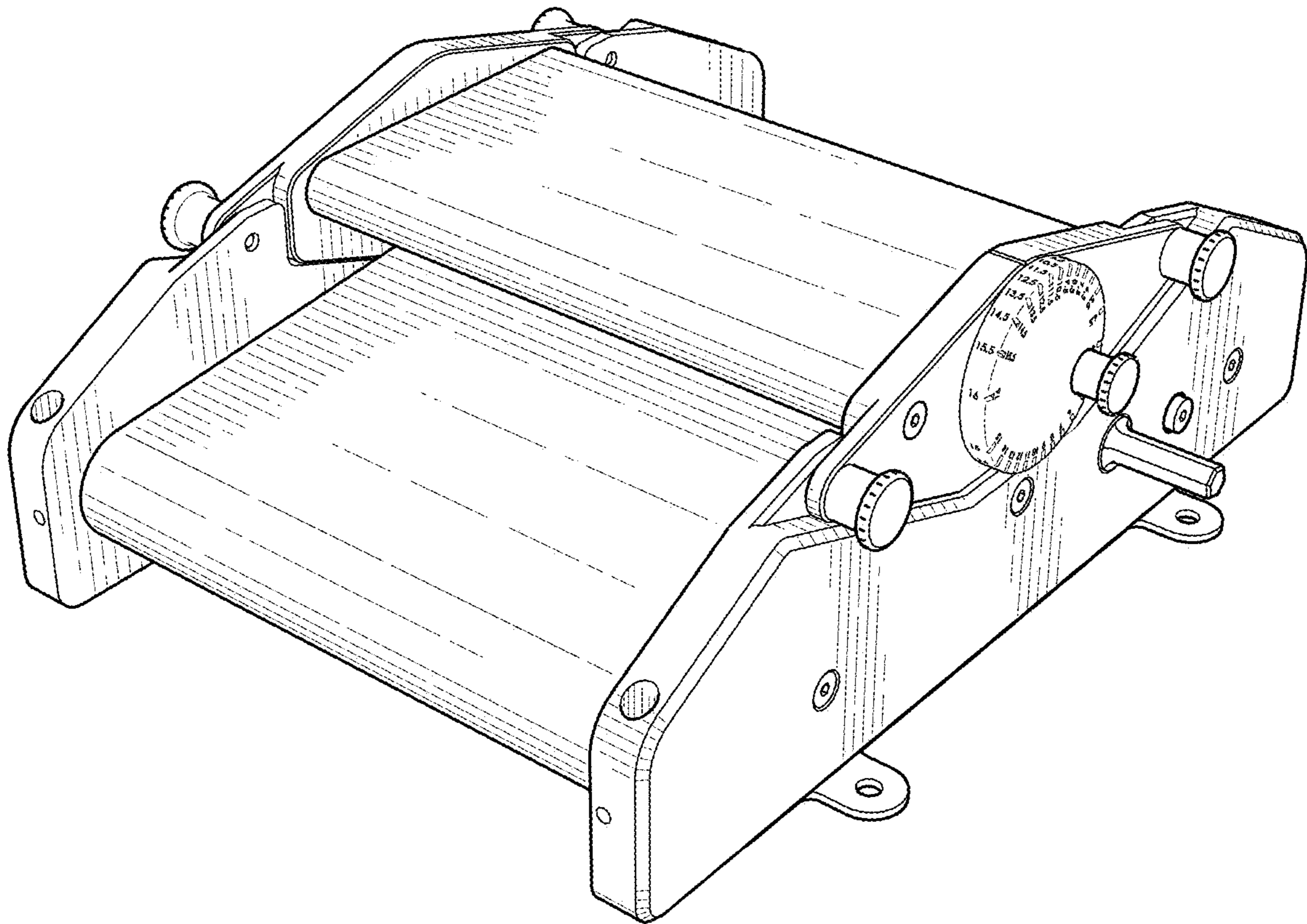


FIG. 1

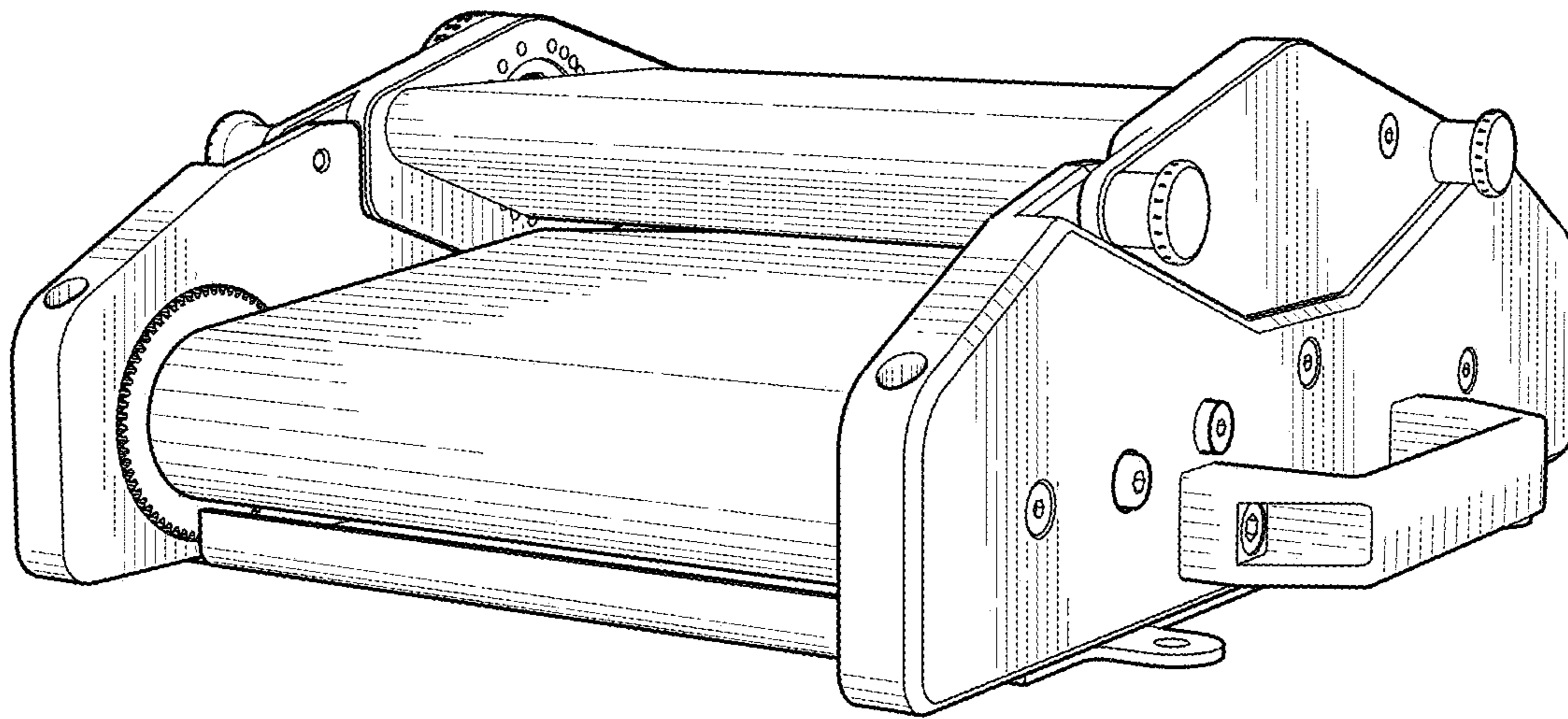


FIG. 2

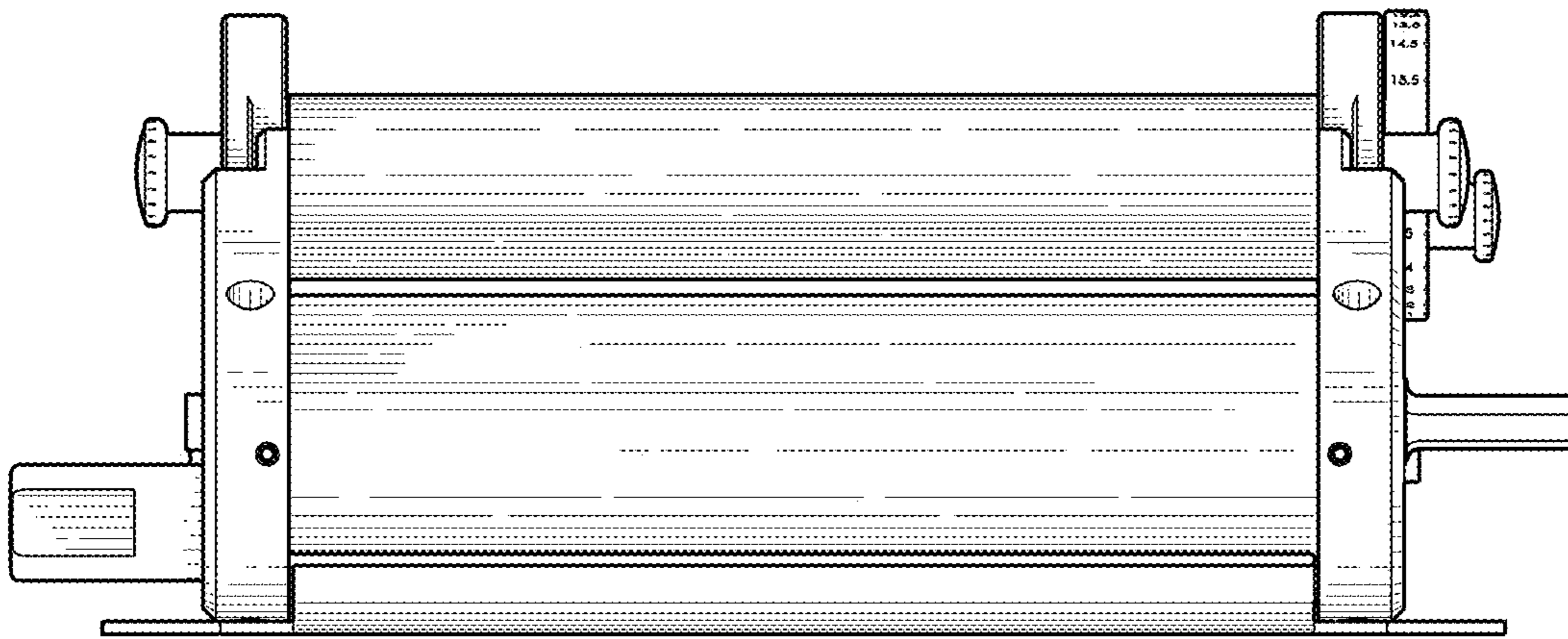


FIG. 3

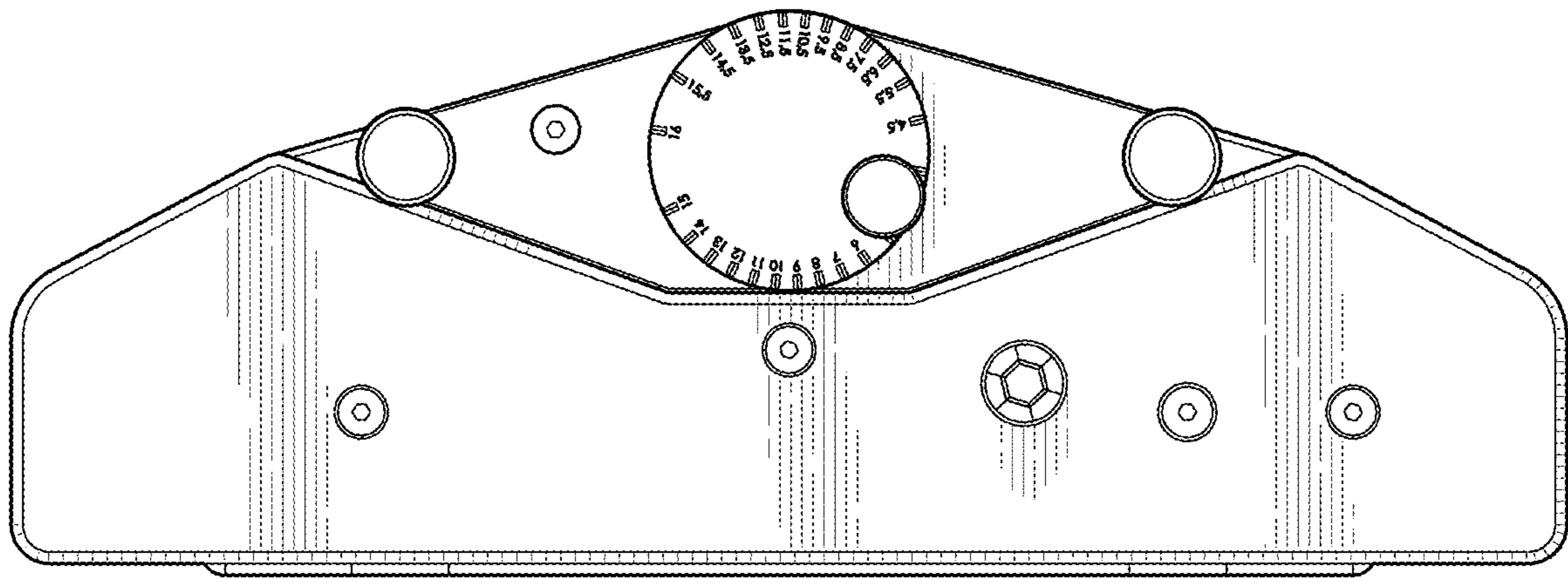


FIG. 4

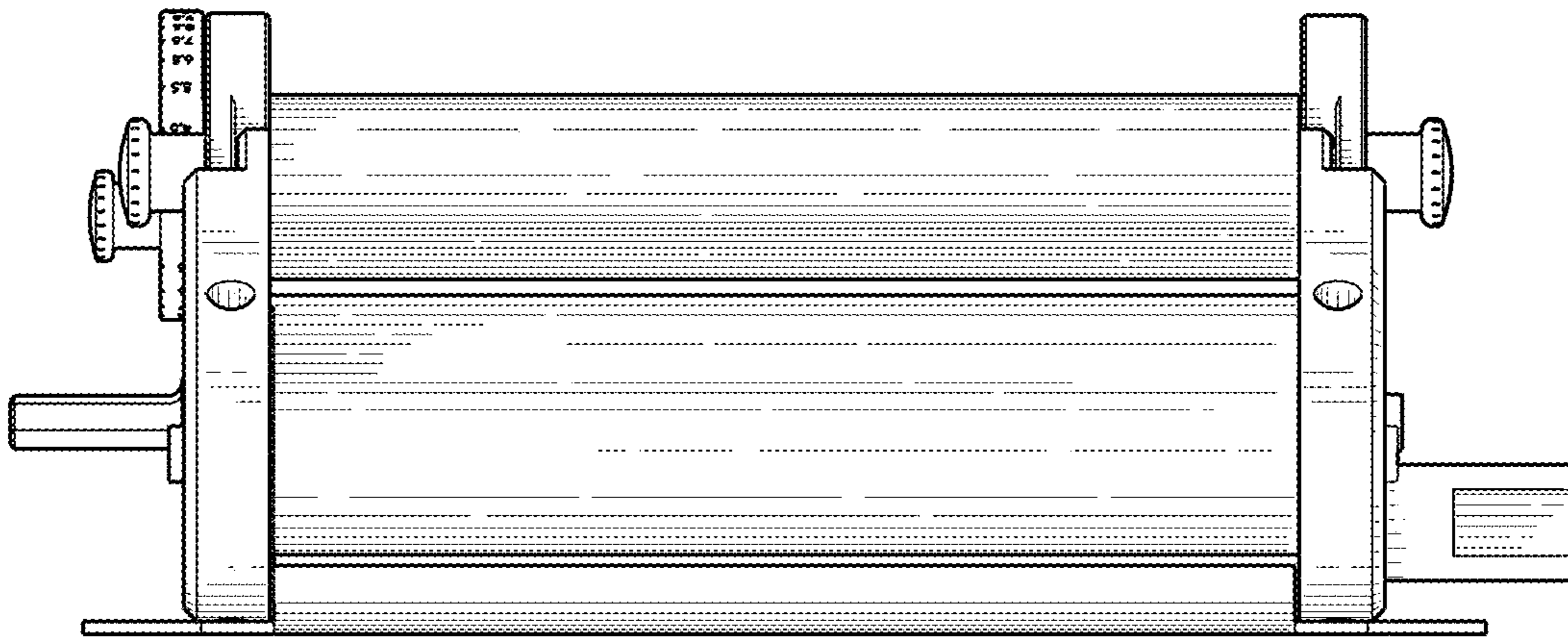


FIG. 5

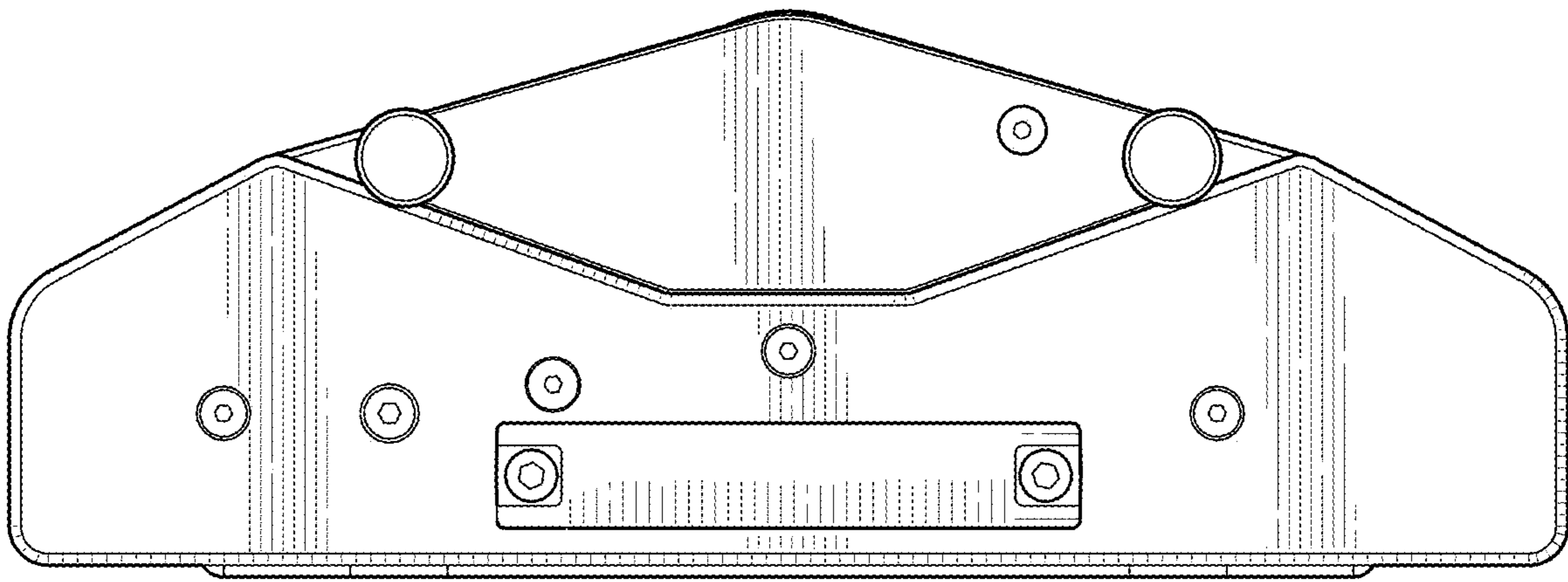


FIG. 6

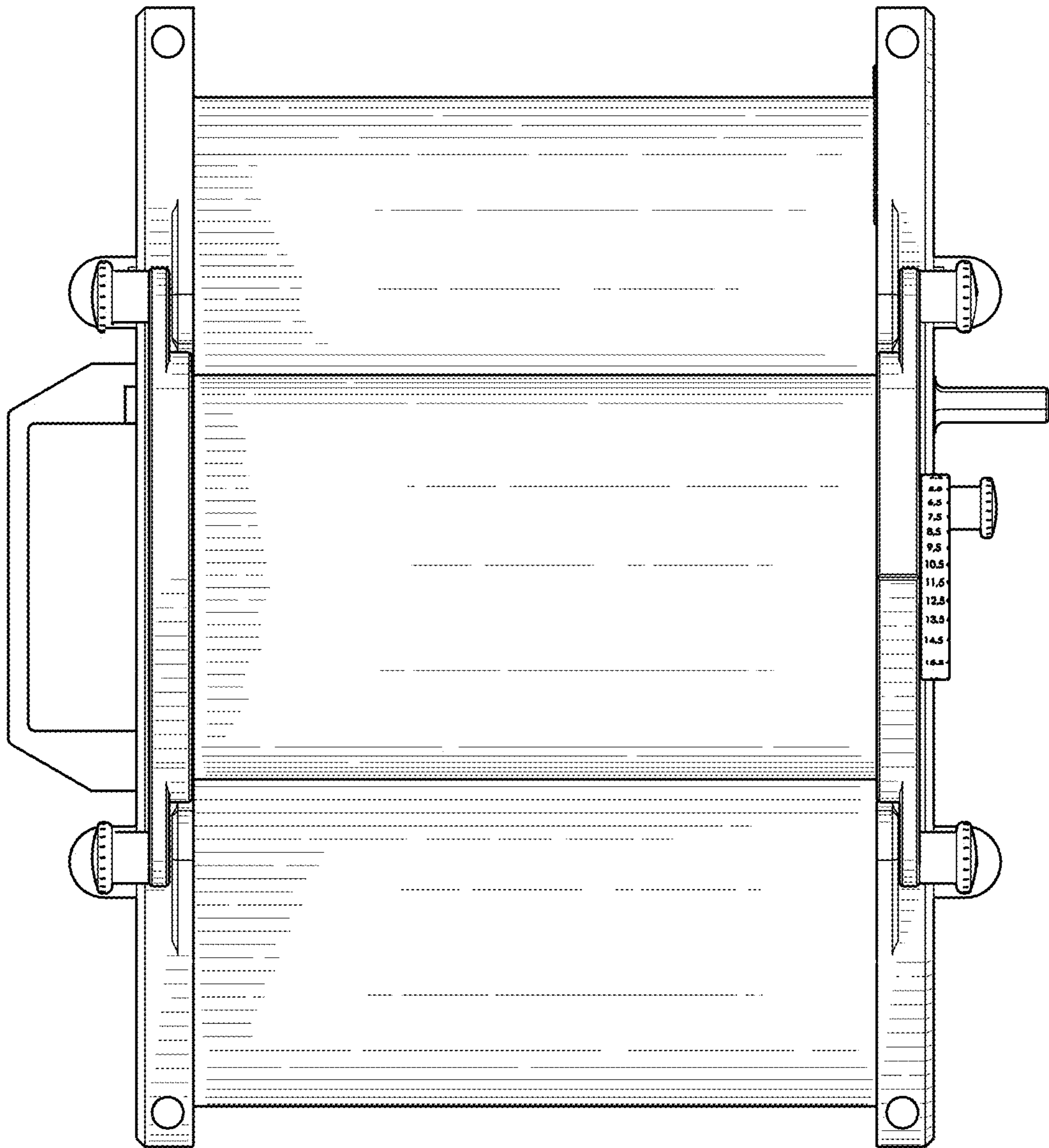


FIG. 7

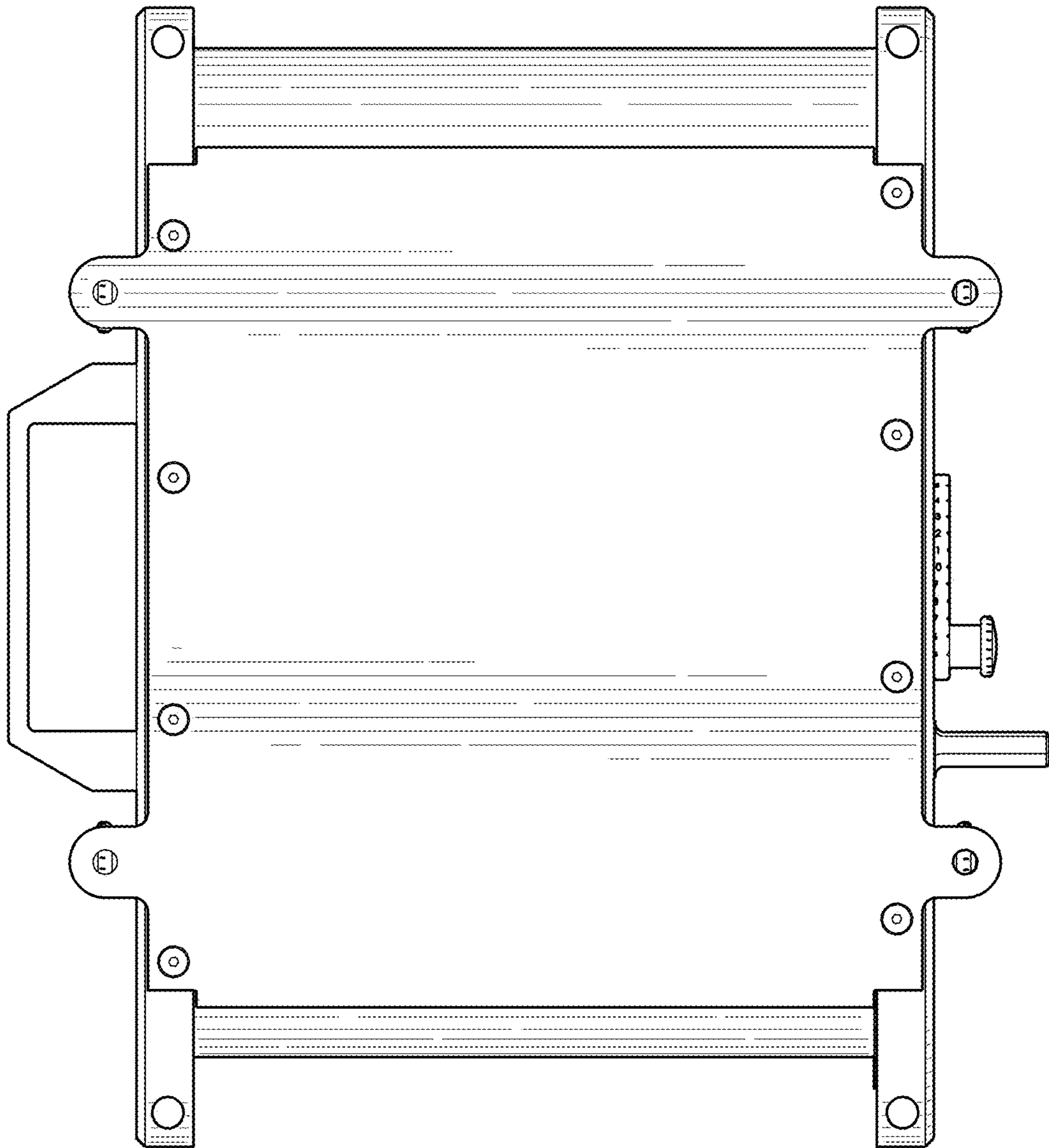


FIG. 8