



US00D929053S

(12) **United States Design Patent** (10) **Patent No.:** **US D929,053 S**  
**Dong** (45) **Date of Patent:** **\*\* Aug. 24, 2021**

(54) **FLOOR CLEANING MACHINE**

(71) Applicant: **Yan Dong**, Anhui (CN)

(72) Inventor: **Yan Dong**, Anhui (CN)

(\*\*) Term: **15 Years**

(21) Appl. No.: **29/721,006**

(22) Filed: **Jan. 17, 2020**

(30) **Foreign Application Priority Data**

Aug. 23, 2019 (CN) ..... 201930460251.1

(51) **LOC (13) Cl.** ..... **15-05**

(52) **U.S. Cl.**  
USPC ..... **D32/22**

(58) **Field of Classification Search**  
USPC ..... D32/17, 18, 21, 22, 23, 24, 31; D21/526  
CPC ..... A46B 9/06; A47L 5/24; A47L 5/28; A47L 5/30; A47L 5/34; A47L 7/0004; A47L 9/04; A47L 9/325; A47L 9/1683; A47L 11/302; A47L 11/34; A47L 11/4005; A47L 11/4008; A47L 11/4016; A47L 11/4041; A47L 11/4044; A47L 11/4088; A47L 13/225; B04C 5/185; B08B 3/04; B23Q 11/0046; B23Q 11/0071; E04H 4/1636

See application file for complete search history.

(56) **References Cited**

**U.S. PATENT DOCUMENTS**

D440,018 S \* 4/2001 Oh ..... D32/22  
D533,697 S \* 12/2006 Ikeno ..... D32/22  
D537,584 S \* 2/2007 Greene ..... D32/22  
D588,760 S \* 3/2009 Chun ..... D32/22  
D610,317 S \* 2/2010 Lee ..... D32/22  
D768,944 S \* 10/2016 Zhang ..... D32/22  
D775,440 S \* 12/2016 Kwon ..... D32/22  
D783,912 S \* 4/2017 Shin ..... D32/22  
D789,004 S \* 6/2017 Boehler ..... D32/22  
D789,626 S \* 6/2017 Bloemendaal ..... D32/22  
D791,421 S \* 7/2017 Wu ..... D32/31  
D792,668 S \* 7/2017 Yoon ..... D32/22

(Continued)

**FOREIGN PATENT DOCUMENTS**

CN 305698109 \* 4/2020  
EM 007387287-0001 \* 3/2020

(Continued)

**OTHER PUBLICATIONS**

Bissell 1538A Powerglide Cordless Vacuum Cleaner, available in Amazon.co.uk, date first available Sep. 1, 2015 [online], [site visited Apr. 20, 2021], Available from the internet URL: [https://www.amazon.co.uk/BISSELL-Powerglide-Cordless-Vacuum-Cleaner/dp/B010X3VN9U/ref=sr\\_1\\_17?dchild=1&keywords=BISSELL+Aeroswift+Compact+Vacuum&qid=1619134425&sr=8-17](https://www.amazon.co.uk/BISSELL-Powerglide-Cordless-Vacuum-Cleaner/dp/B010X3VN9U/ref=sr_1_17?dchild=1&keywords=BISSELL+Aeroswift+Compact+Vacuum&qid=1619134425&sr=8-17) (Year: 2015).\*

(Continued)

*Primary Examiner* — Dana K Weiland  
*Assistant Examiner* — Jennylou M Binas  
(74) *Attorney, Agent, or Firm* — JCIP Global Inc.

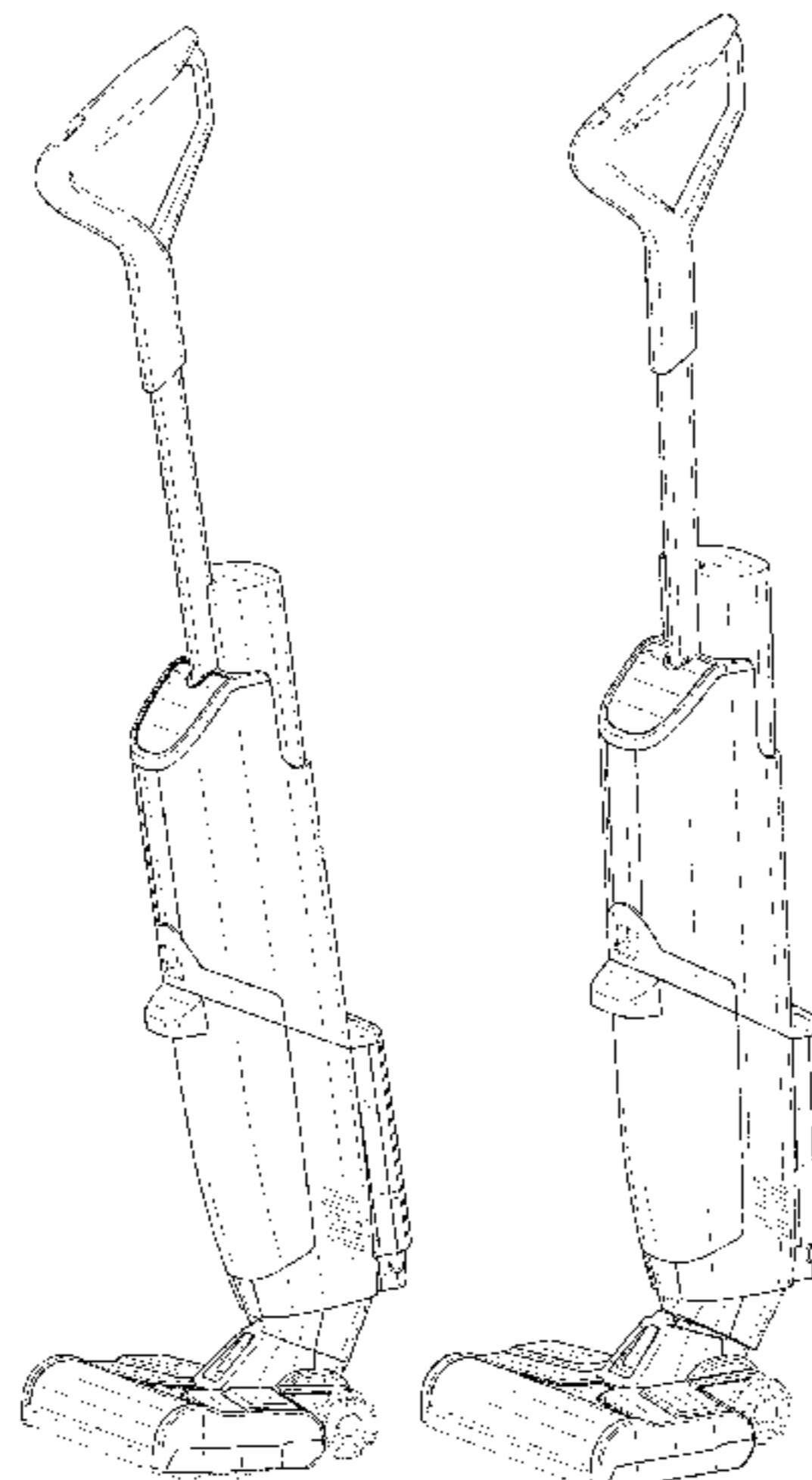
(57) **CLAIM**

The ornamental design for a floor cleaning machine, as shown and described.

**DESCRIPTION**

FIG. 1 is a first perspective view of a floor cleaning machine showing my new design;  
FIG. 2 is a front view thereof;  
FIG. 3 is a rear view thereof;  
FIG. 4 is a left side view thereof;  
FIG. 5 is a right side view thereof;  
FIG. 6 is a top view thereof;  
FIG. 7 is a bottom view thereof; and,  
FIG. 8 is a second perspective view showing the handle of the floor cleaning machine in an alternate position.  
The broken line portions of the floor cleaning machine shown in the drawings form no part of the claimed design.

**1 Claim, 5 Drawing Sheets**



(56)

References Cited

U.S. PATENT DOCUMENTS

D794,880	S	*	8/2017	Zhou	.....	D32/22
D824,615	S	*	7/2018	Bloemendaal	.....	D32/22
D836,863	S	*	12/2018	Theising	.....	D32/22
D844,267	S	*	3/2019	Zhou	.....	D32/22
D870,995	S	*	12/2019	Burgess	.....	D32/22
D874,762	S	*	2/2020	Tang	.....	D32/22
D875,335	S	*	2/2020	Sagkob	.....	D32/22
D876,036	S	*	2/2020	Irfan	.....	D32/22
D876,037	S	*	2/2020	McRorie	.....	D32/22
D877,430	S	*	3/2020	Hooley	.....	D32/22
D910,945	S	*	2/2021	Miller	.....	D32/31
D911,646	S	*	2/2021	DeBeck	.....	D32/45
2016/0113462	A1	*	4/2016	Khalil	.....	A47L 9/1658 15/353
2017/0135540	A1	*	5/2017	Newsom	.....	A47L 9/04
2017/0172366	A1	*	6/2017	Rukavina	.....	A47L 9/122
2020/0060494	A1	*	2/2020	Lydic	.....	A47L 11/4041
2020/0060496	A1	*	2/2020	Dawson	.....	A47L 11/4005
2020/0390302	A1	*	12/2020	Davila	.....	A47L 9/0494

FOREIGN PATENT DOCUMENTS

EM	007454848-0001	*	5/2020
JP	D1656921	*	4/2020
JP	D1656958	*	4/2020

OTHER PUBLICATIONS

Tineco Floor One S3 Smart Cordless Wet Dry Vacuum Cleaner, available in Amazon.ca, date first available Mar. 7, 2020 [online],

[ site visited Apr. 20, 2021], Available from the internet URL: [https://www.amazon.ca/Bissell-1543E-Symphony-Vacuum-Purple/dp/B073PCJ4SL/ref=sr\\_1\\_5?dchild=1&keywords=Bissell+Symphony+All-in-One+P%E2%80%A6](https://www.amazon.ca/Bissell-1543E-Symphony-Vacuum-Purple/dp/B073PCJ4SL/ref=sr_1_5?dchild=1&keywords=Bissell+Symphony+All-in-One+P%E2%80%A6) (Year: 2020).\*

Bissell 1543E Symphony Pet All-in-One Vacuum and Steam Mop, available in Amazon.ca, date first available Jul. 3, 2017 [online], [site visited Apr. 20, 2021], Available from the internet URL: [https://www.amazon.ca/Bissell-1543E-Symphony-Vacuum-Purple/dp/B073PCJ4SL/ref=sr\\_1\\_5?dchild=1&keywords=Bissell+Symphony+All-in-One+P%E2%80%A6](https://www.amazon.ca/Bissell-1543E-Symphony-Vacuum-Purple/dp/B073PCJ4SL/ref=sr_1_5?dchild=1&keywords=Bissell+Symphony+All-in-One+P%E2%80%A6) (Year: 2017).\*

Cordless Wet Dry Vacuum Cleaner, Adoric Life 3-in-1 Upright Vacuum Cleaner/Water Spray/Mop, available in Amazon.com, customer review oldest date Sep. 6, 2020 [online], [site visited Apr. 29, 2021], Available from the internet URL: [https://www.amazon.com/Cordless-Adoric-Life-Detachable-Self-Cleaning/dp/B08XBPPFQP/ref=pd\\_d\\_dss\\_r\\_1?pd\\_rd\\_w=6DMmS&pf\\_rd\\_p=35386585-13fe-471b-b4ad-6755e3609047&pf\\_rd\\_r=5NC8H7DA9JA9MJP3S3AQ&pd\\_rd\\_r=ddecc464-7250-4db7-90d7-8d0e196416f8&pd\\_rd\\_wg=mPi7Q&pd\\_rd\\_i=B08XBPPFQP&pvc=1](https://www.amazon.com/Cordless-Adoric-Life-Detachable-Self-Cleaning/dp/B08XBPPFQP/ref=pd_d_dss_r_1?pd_rd_w=6DMmS&pf_rd_p=35386585-13fe-471b-b4ad-6755e3609047&pf_rd_r=5NC8H7DA9JA9MJP3S3AQ&pd_rd_r=ddecc464-7250-4db7-90d7-8d0e196416f8&pd_rd_wg=mPi7Q&pd_rd_i=B08XBPPFQP&pvc=1) (Year: 2020).\*

Wet Dry Vacuum Cleaner, AlfaBot T30 Cordless Vacuum Cleaner and Mop for Hardwood Floor and Area Rugs, available in Amazon.com, date first available Oct. 27, 2020 [online], [site visited Apr. 29, 2021], Available from the internet URL: [https://www.amazon.com/AlfaBot-Cordless-Hardwood-Technology-Assistance/dp/B08LYVG5V1/ref=pd\\_rhf\\_se\\_p\\_img\\_3?\\_encoding=UTF8&pvc=1&refRID=S18TEWSRKPN788QZV9JZ#customerReviews](https://www.amazon.com/AlfaBot-Cordless-Hardwood-Technology-Assistance/dp/B08LYVG5V1/ref=pd_rhf_se_p_img_3?_encoding=UTF8&pvc=1&refRID=S18TEWSRKPN788QZV9JZ#customerReviews) (Year: 2020).\*

\* cited by examiner

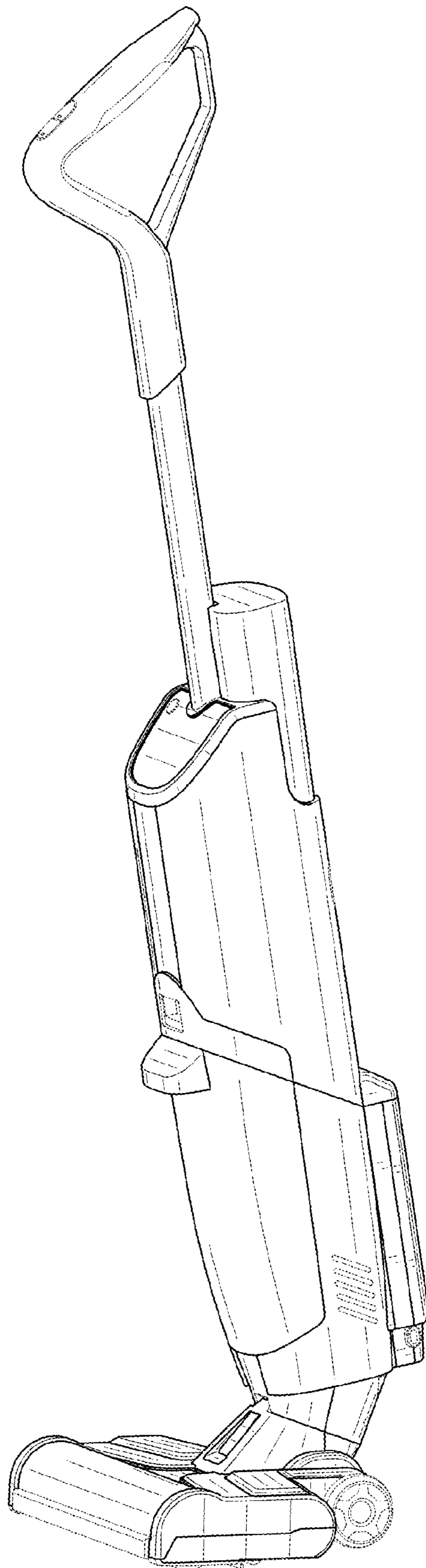


FIG. 1



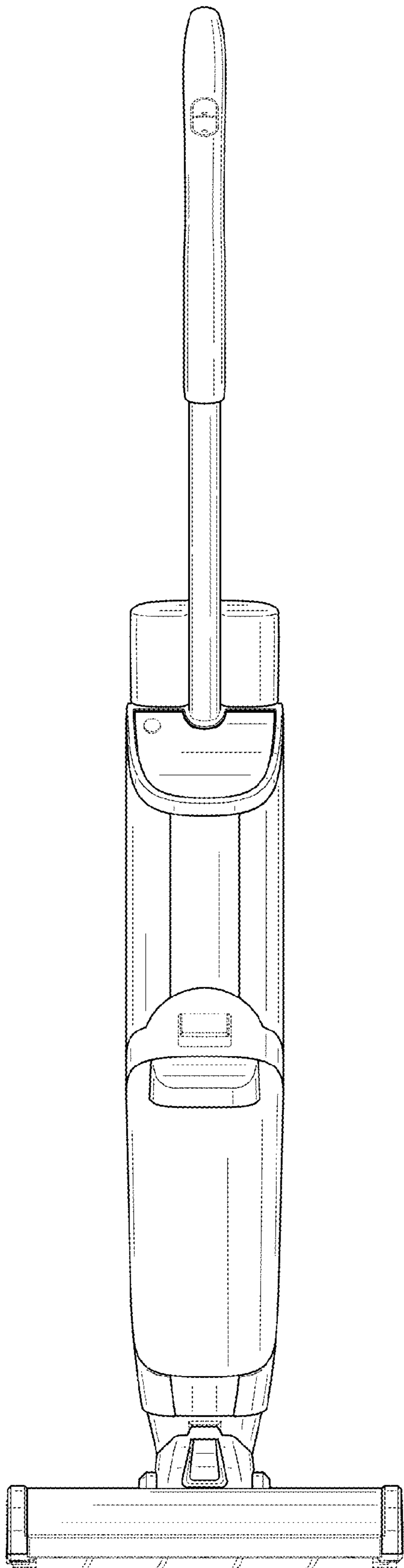


FIG. 2

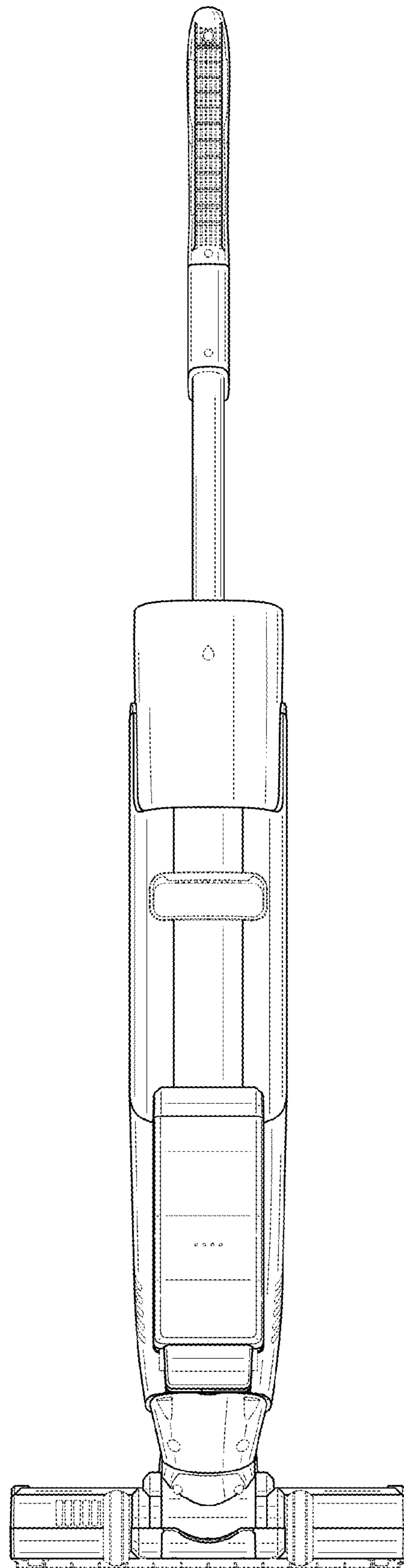


FIG. 3

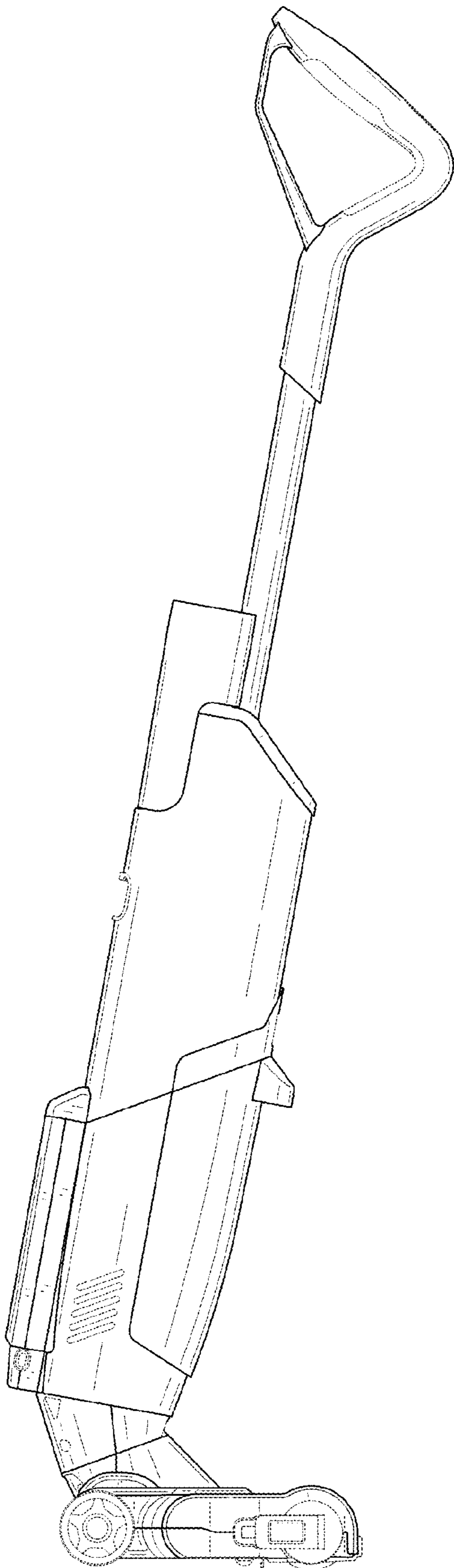


FIG. 4

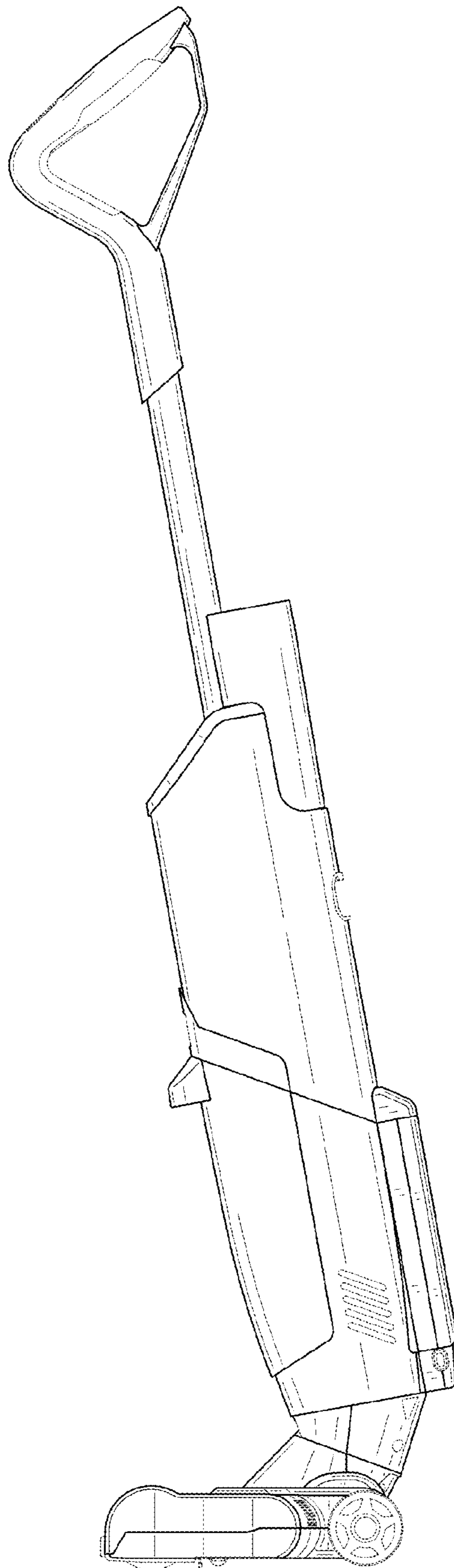


FIG. 5

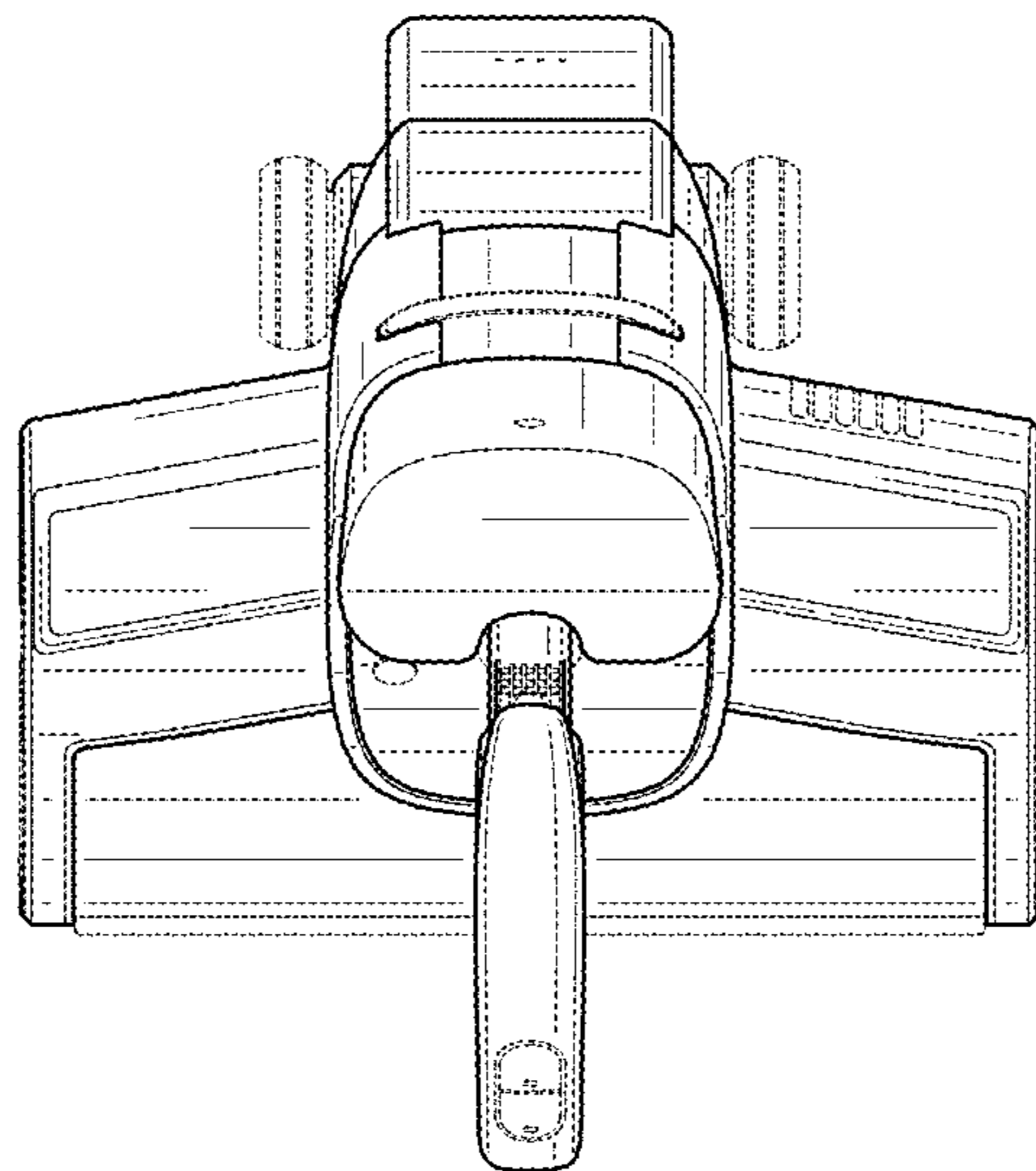


FIG. 6

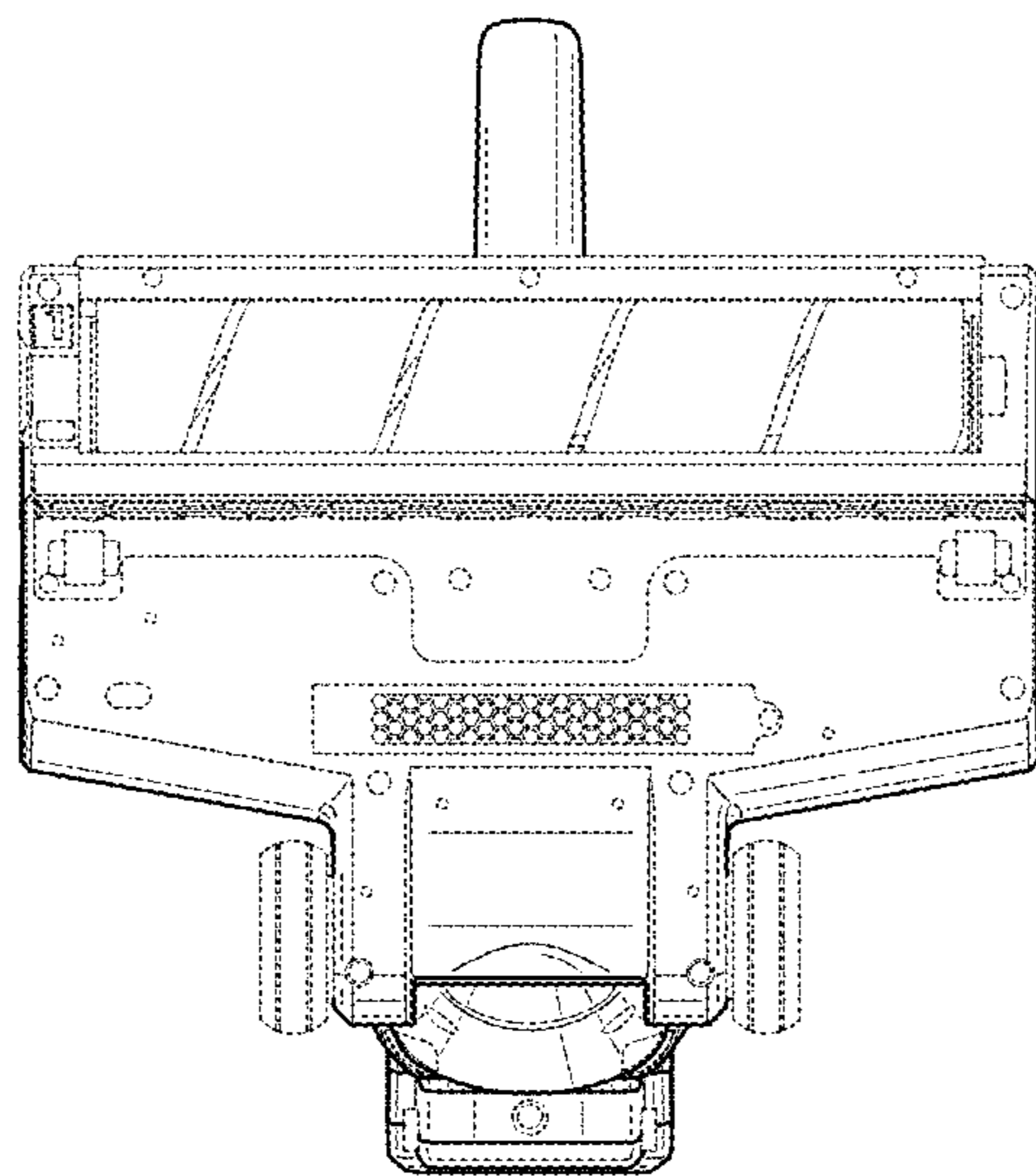


FIG. 7

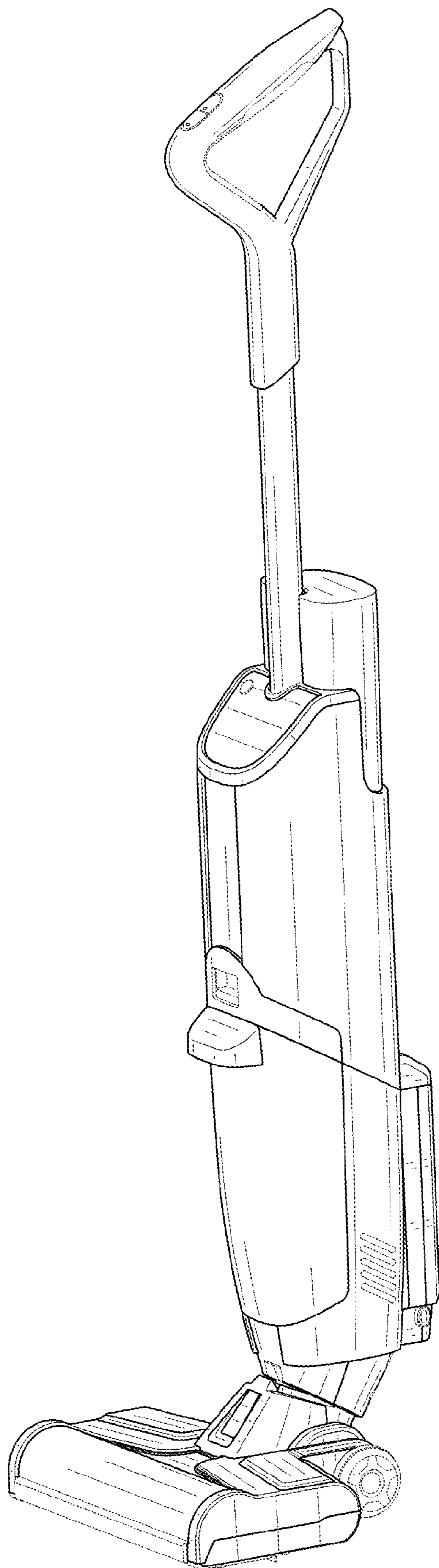


FIG. 8