



US00D929049S

(12) **United States Design Patent**  
**Rousseau et al.**

(10) **Patent No.:** **US D929,049 S**  
(45) **Date of Patent:** **\*\* Aug. 24, 2021**

(54) **WALL HOOK FOR A FIRE EXTINGUISHER**

D152,650 S 2/1949 Phister  
D152,718 S 2/1949 Meyer  
D152,812 S 2/1949 Mapes  
(Continued)

(71) Applicant: **RUSOH INC.**, Eau Claire, WI (US)

(72) Inventors: **Hector Rousseau**, Riverside, CA (US);  
**Randy Rousseau**, Riverside, CA (US);  
**Ryan H. Barrows**, Eau Claire, WI (US);  
**Justun C. Seymour**, Eau Claire, WI (US)

(73) Assignee: **Rusoh, Inc.**, Eau Claire, WI (US)

(\*\*) Term: **15 Years**

(21) Appl. No.: **29/683,438**

(22) Filed: **Mar. 13, 2019**

**Related U.S. Application Data**

(63) Continuation-in-part of application No. 15/975,100, filed on May 9, 2018, now Pat. No. 10,926,119, which is a continuation-in-part of application No. 14/704,820, filed on May 5, 2015, now Pat. No. 9,993,673.

(51) **LOC (13) Cl.** ..... **29-01**

(52) **U.S. Cl.**

USPC ..... **D29/130**; D8/367

(58) **Field of Classification Search**

USPC ..... D29/125, 126, 129, 130; D8/367  
CPC .. A62C 2/00; A62C 8/00; A62C 13/64; A62C 13/76; A62C 13/78; A62C 13/006; A62C 13/70; A62C 13/74; A62C 37/50; F16B 15/02

See application file for complete search history.

(56) **References Cited**

**U.S. PATENT DOCUMENTS**

D59,319 S 10/1921 Andrews  
D121,011 S 3/1940 Grant, Jr.  
D152,612 S 9/1947 Guise et al.  
D152,645 S 2/1948 Nurkiewicz

**OTHER PUBLICATIONS**

Rusoh Eliminator—Fire Extinguisher for Businesses (on-line), dated Jul. 18, 2017. Retrieved from Internet Mar. 2, 2021, URL: <https://web.archive.org/web/20170718210016/https://www.rusoh.com/> (2 pages) (Year: 2017).\*

*Primary Examiner* — Kimberly Barnes

(57) **CLAIM**

The ornamental design for a wall hook for a fire extinguisher, as shown and described.

**DESCRIPTION**

This application incorporates by reference in its entirety and claims priority from the following applications:

U.S. Ser. No. 29/612,238 filed Jul. 31, 2017, entitled Fire Extinguisher, that issued as U.S. Pat. No. D843,068 on Mar. 12, 2019,

U.S. Ser. No. 29/505,639 filed Dec. 24, 2015, entitled Fire Extinguisher, that issued as U.S. Pat. No. D796,121 on Aug. 29, 2017 and

U.S. Ser. No. 29/526,021 filed May 5, 2015, entitled Fire Extinguisher, that issued as U.S. Pat. No. D777,991 on Jan. 31, 2017.

FIG. 1 is a top front perspective view of a wall hook for a fire extinguisher showing our new design;

FIG. 2 is a top rear perspective view thereof;

FIG. 3 is a bottom view thereof;

FIG. 4 is a top view thereof;

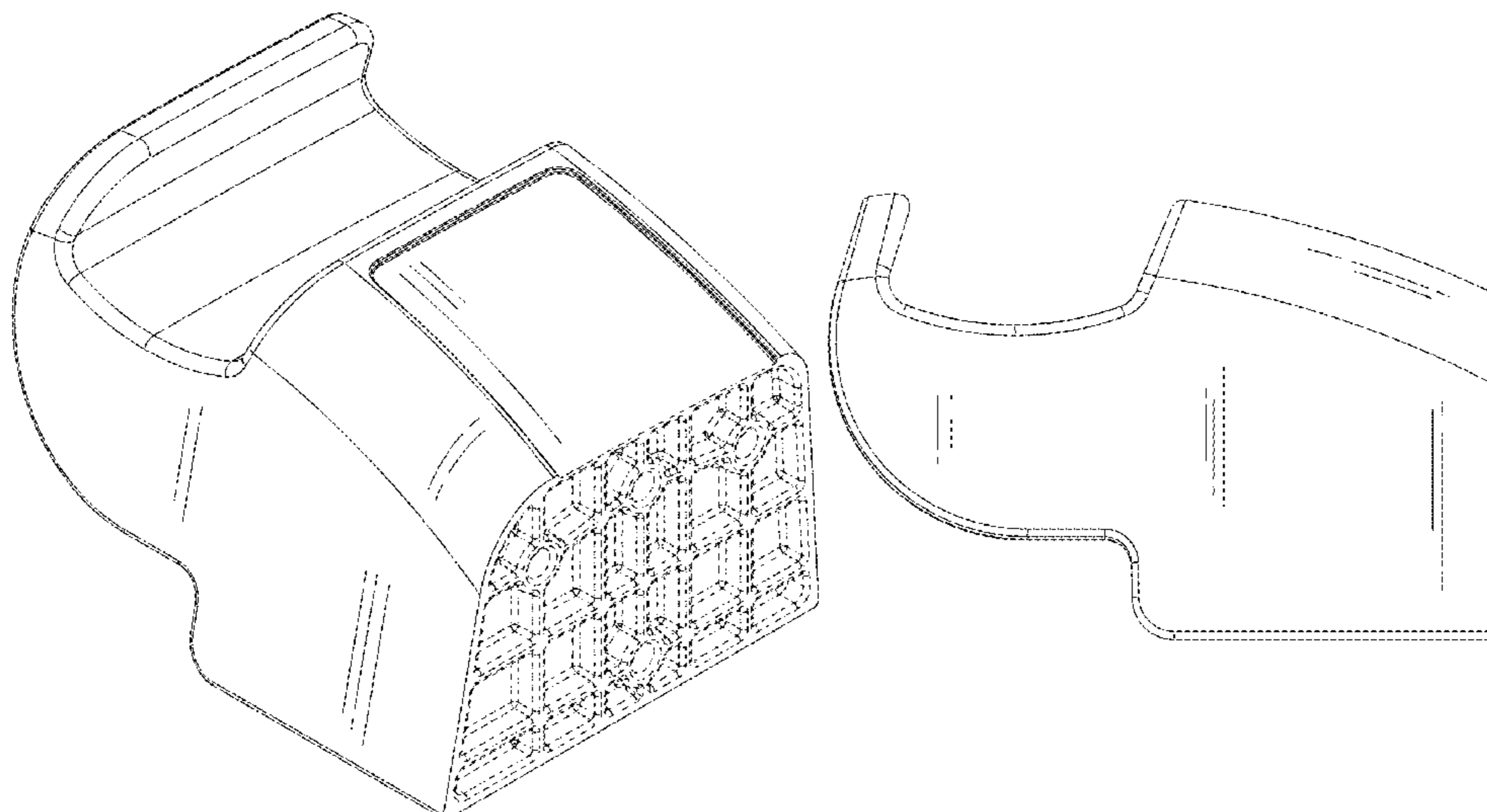
FIG. 5 is a left side view thereof;

FIG. 6 is a right-side view thereof; and,

FIG. 7 is a rear view.

The features shown in broken lines in the figures depict environmental subject matter only and form no part of the claimed design.

**1 Claim, 4 Drawing Sheets**



(56)

References Cited

U.S. PATENT DOCUMENTS

D153,320 S 4/1949 Raskob et al.  
 D155,456 S 10/1949 Seaberg  
 D158,263 S 4/1950 Gordon  
 D164,346 S 8/1951 Allen  
 D169,641 S 5/1953 Schroeder, Jr.  
 D171,066 S 12/1953 Van Sciver  
 D172,373 S 6/1954 Wagner  
 D172,454 S \* 6/1954 Wagner ..... D29/129  
 D175,493 S \* 9/1955 Brame ..... D8/27  
 2,830,480 A \* 4/1958 Brame ..... B25B 13/02  
 81/176.15  
 D183,520 S \* 9/1958 Huthsing, Sr. .... D29/129  
 3,061,014 A \* 10/1962 Forrester ..... A62C 13/006  
 169/77  
 3,145,375 A \* 8/1964 Webb ..... H05B 39/09  
 340/568.8  
 D199,980 S 1/1965 Huthsing, Jr.  
 D202,341 S 9/1965 Rodgers  
 3,224,720 A \* 12/1965 Hain ..... A62C 13/78  
 248/313  
 D203,979 S 3/1966 Brennan et al.  
 D207,260 S 3/1967 Jensen  
 D215,654 S 10/1969 Huthsing, Jr.  
 D228,900 S 10/1973 Hogg  
 D237,895 S 12/1975 Allen et al.  
 D244,392 S 5/1977 Montambo  
 D244,702 S \* 6/1977 Montambo ..... D29/129  
 4,039,131 A \* 8/1977 Perrault ..... F16L 3/08  
 248/73  
 D250,353 S 11/1978 Avant  
 D290,298 S \* 6/1987 Sinclair ..... D23/225  
 4,899,826 A 2/1990 Penn  
 D307,648 S 5/1990 Arrington  
 5,000,411 A \* 3/1991 Primeau ..... A47K 10/10  
 248/223.41  
 D327,015 S \* 6/1992 Stallings ..... D32/54  
 D328,158 S 7/1992 Levy  
 D328,368 S 7/1992 Levy  
 5,623,995 A \* 4/1997 Smagac ..... A62C 5/02  
 169/13  
 6,471,141 B2 \* 10/2002 Smith ..... B05B 7/2443  
 137/893  
 D488,589 S 4/2004 Yang et al.  
 7,128,163 B1 10/2006 Rousseau

D538,137 S \* 3/2007 Dukes ..... D8/356  
 D542,477 S \* 5/2007 Crommelynck ..... D29/126  
 7,296,761 B1 \* 11/2007 Laible ..... A62C 13/76  
 137/605  
 7,318,484 B2 1/2008 Rousseau  
 D571,190 S \* 6/2008 Spadotto ..... B65H 75/366  
 D8/356  
 D596,459 S 7/2009 Ghiassi  
 7,650,948 B2 1/2010 Rousseau  
 D643,092 S 8/2011 Bandawat et al.  
 D649,295 S \* 11/2011 Clishe ..... D29/129  
 D682,663 S \* 5/2013 Evon ..... D8/367  
 8,496,222 B2 \* 7/2013 Li ..... F16B 47/006  
 248/683  
 D689,332 S 9/2013 Krasner  
 D697,388 S \* 1/2014 Pan ..... D8/367  
 D706,388 S 6/2014 Abernethy et al.  
 8,757,282 B2 6/2014 Rousseau  
 D712,254 S 9/2014 Geis et al.  
 D713,005 S 9/2014 Nicolina et al.  
 D713,501 S 9/2014 Nicolina et al.  
 8,820,423 B2 9/2014 Rousseau  
 9,144,699 B1 \* 9/2015 Wang ..... B05B 11/06  
 D762,096 S \* 7/2016 Wilson ..... D8/21  
 D777,991 S \* 1/2017 Rousseau ..... D29/125  
 9,581,292 B2 \* 2/2017 Kremer ..... F16B 45/00  
 D796,121 S \* 8/2017 Rousseau ..... D29/125  
 D797,999 S \* 9/2017 Seymour ..... A62C 13/70  
 D29/126  
 D812,905 S \* 3/2018 Olsen ..... D3/254  
 9,993,673 B2 \* 6/2018 Rousseau ..... A62C 13/006  
 D823,547 S \* 7/2018 Rousseau ..... D29/125  
 10,046,188 B2 \* 8/2018 Rousseau ..... A62C 37/50  
 D828,639 S 9/2018 Kim  
 D831,471 S \* 10/2018 Kim ..... D8/367  
 D835,853 S \* 12/2018 Seymour ..... D29/125  
 D839,721 S \* 2/2019 Downey ..... D8/367  
 D846,201 S \* 4/2019 Seymour ..... D29/126  
 10,350,443 B2 \* 7/2019 Rousseau ..... A62C 13/006  
 D872,944 S \* 1/2020 Seymour ..... D29/129  
 10,926,118 B2 \* 2/2021 Choi ..... A62C 13/76  
 10,926,119 B1 \* 2/2021 Rousseau ..... A62C 13/74  
 10,926,276 B2 \* 2/2021 McDonnell ..... B05B 15/40  
 2015/0023760 A1 \* 1/2015 Bove, III ..... F16B 13/002  
 411/383  
 2015/0290482 A1 \* 10/2015 Rousseau ..... A62C 37/50  
 340/577

\* cited by examiner

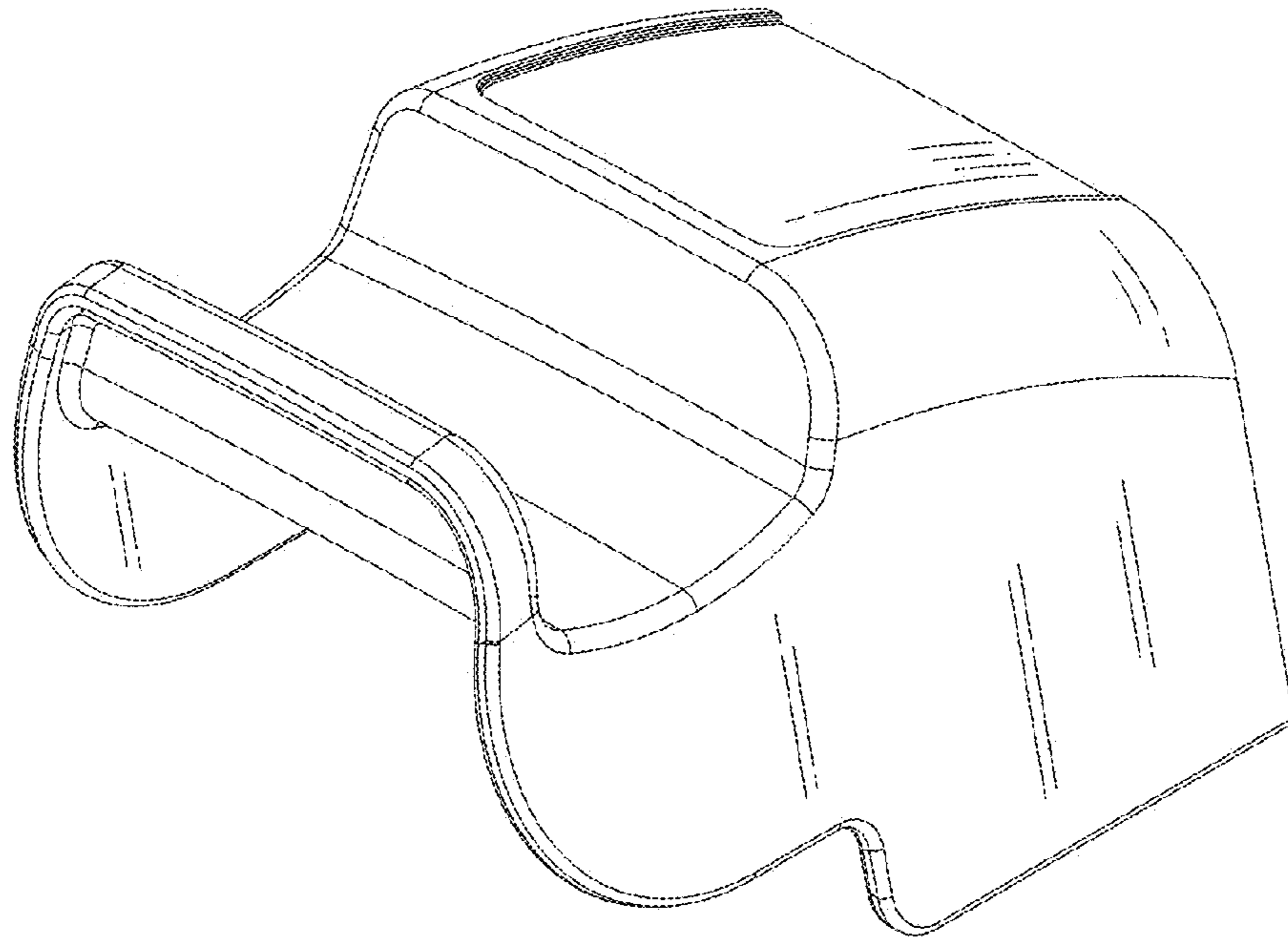


FIG. 1

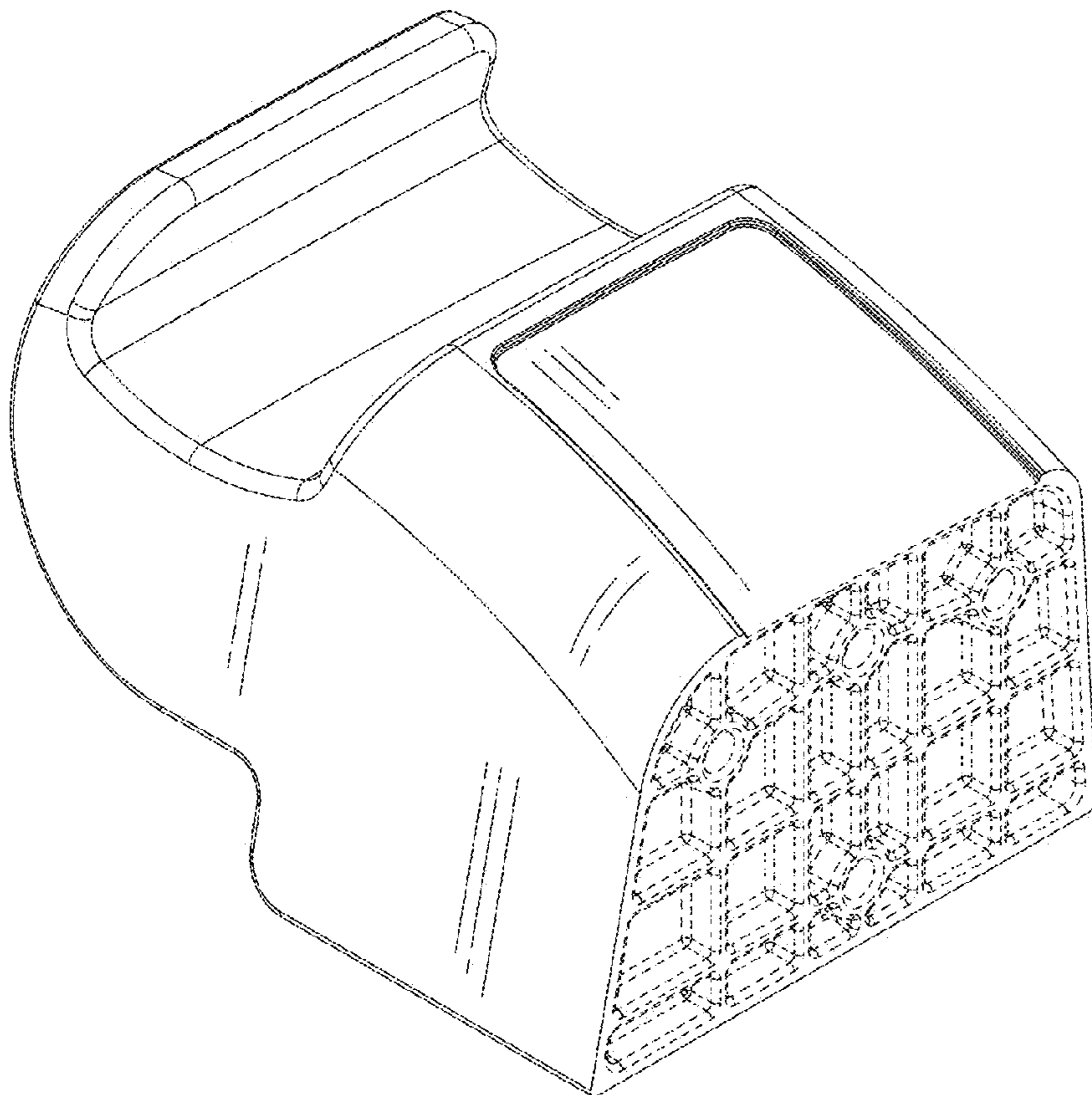


FIG. 2

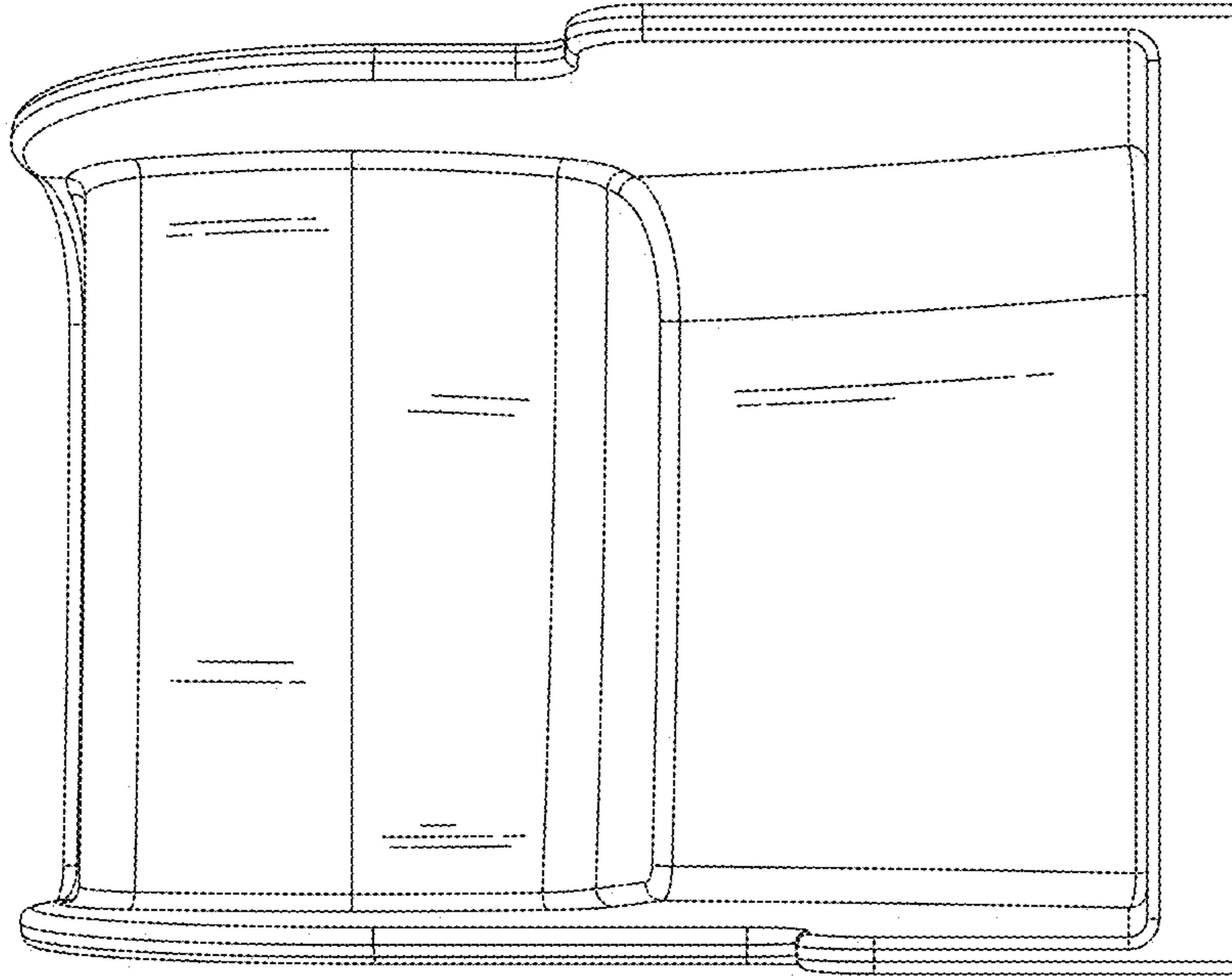


FIG. 3

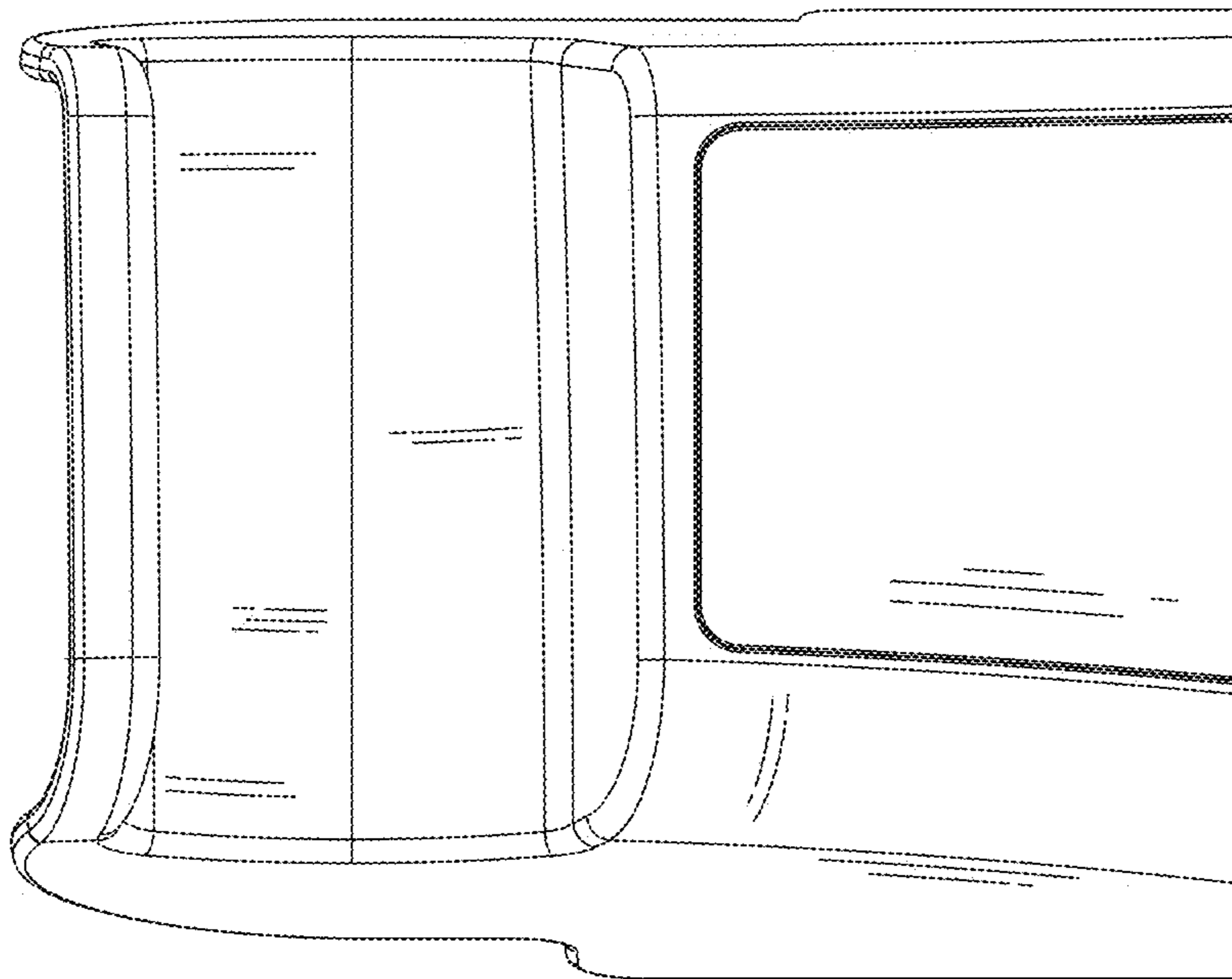


FIG. 4

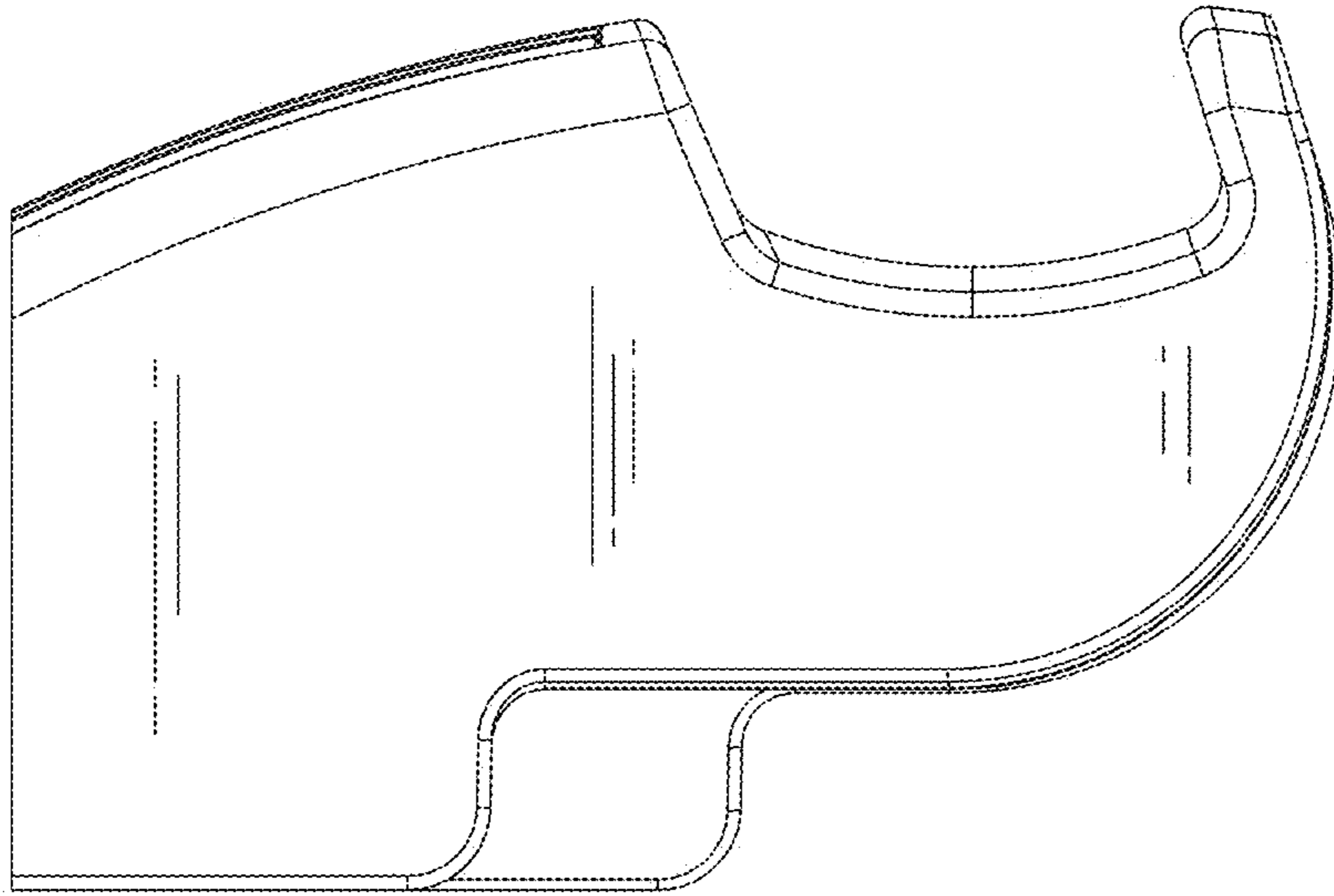


FIG. 5

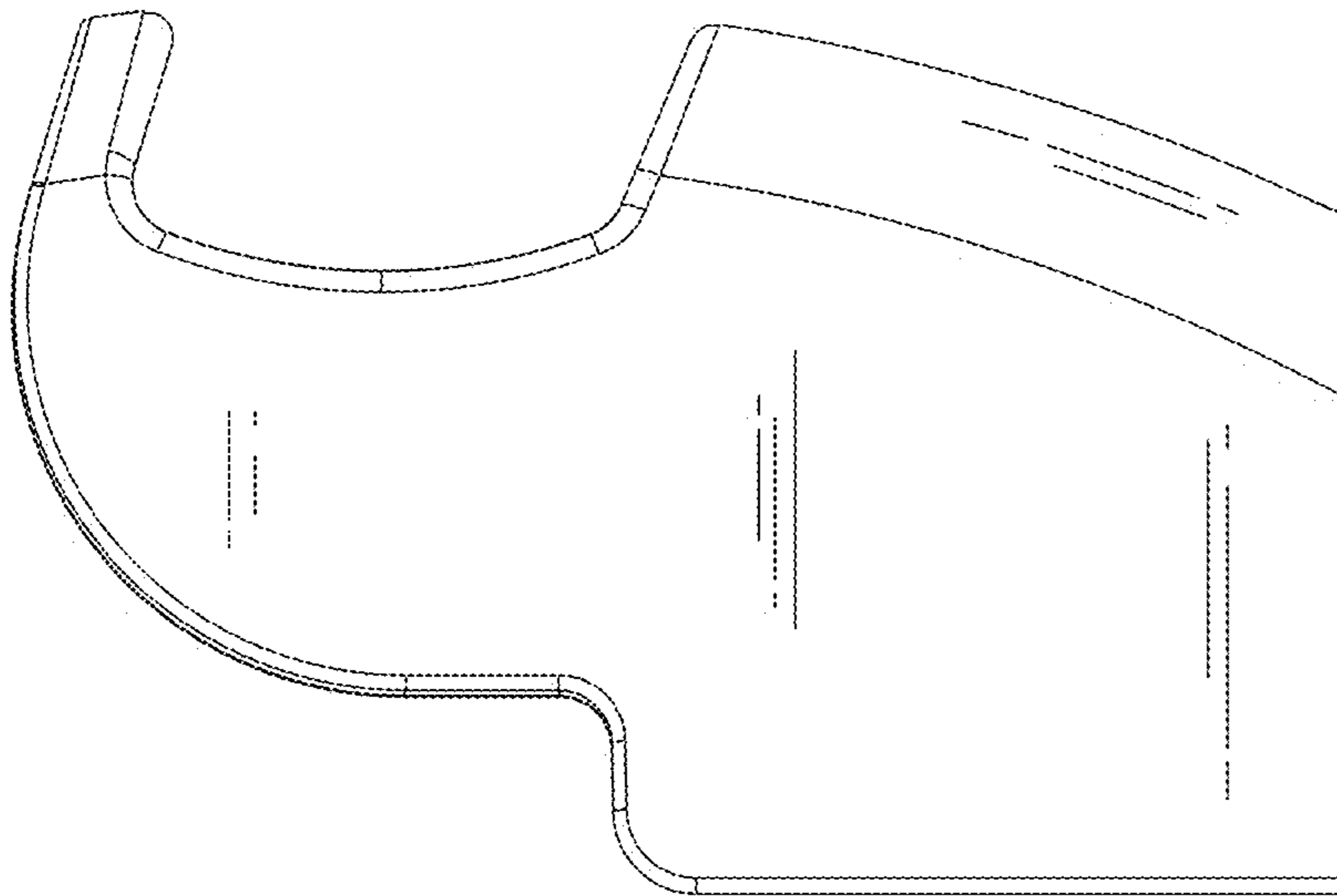


FIG. 6

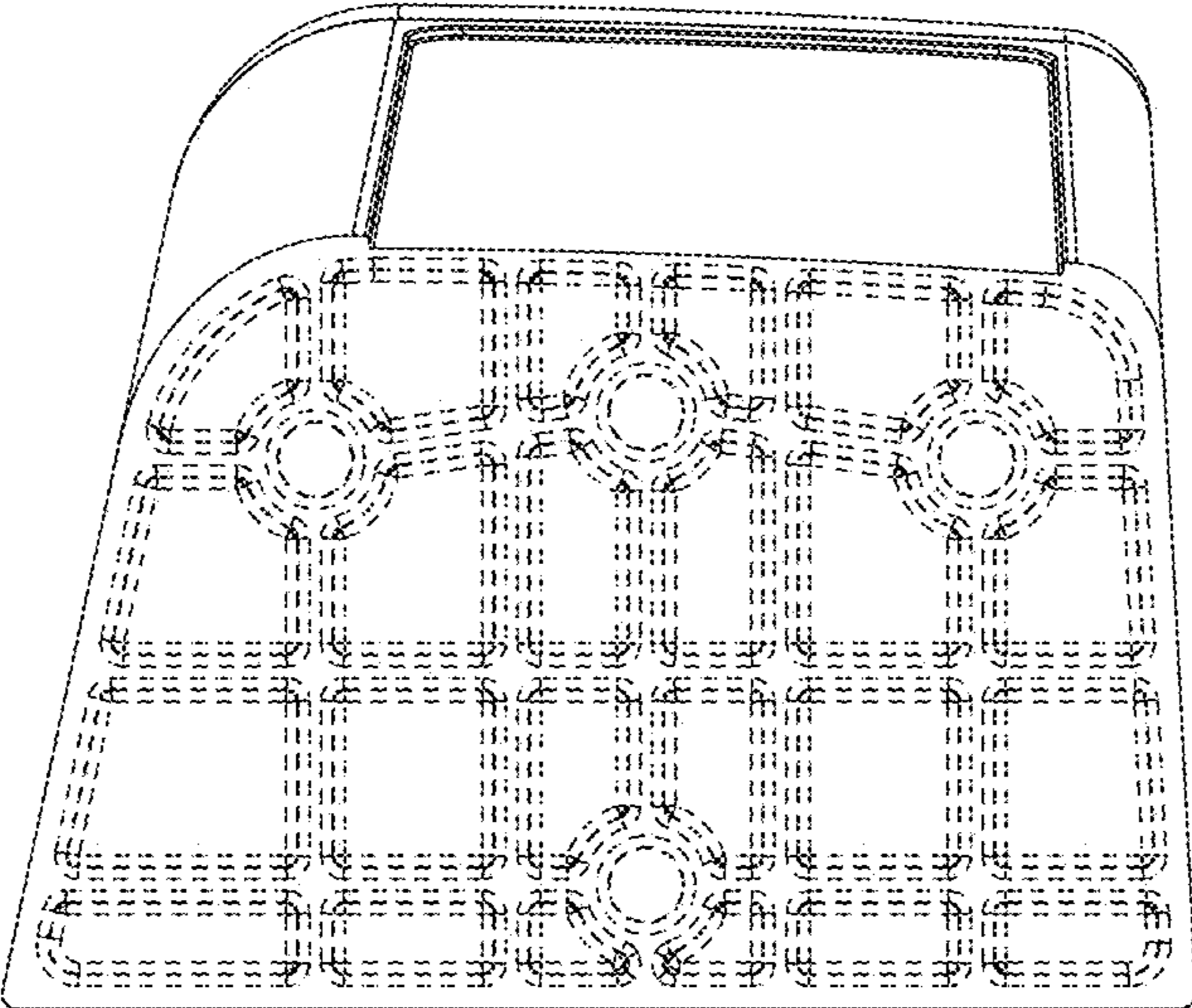


FIG. 7