

US00D929048S

(12) **United States Design Patent** (10) **Patent No.:** **US D929,048 S**
Penno (45) **Date of Patent:** **** Aug. 24, 2021**

(54) **EXPLOSION SUPPRESSION SYSTEM**
(71) Applicant: **Rembe GmbH Safety + Control,**
Brilon (DE)
(72) Inventor: **Stefan Penno,** Brilon (DE)
(73) Assignee: **Rembe GmbH Safety + Control,**
Brilon (DE)

3,653,240 A 4/1972 Husthsing, Jr.
D250,353 S * 11/1978 Avant D29/126
5,992,528 A 11/1999 Parkinson et al.
D509,639 S * 9/2005 Hamilton D99/5
D591,910 S 5/2009 Rodriguez
D736,478 S 8/2015 Piegari et al.
D759,902 S 6/2016 Kim
D901,089 S * 11/2020 Penno D29/125
D901,090 S * 11/2020 Penno D29/125

(Continued)

(**) Term: **15 Years**
(21) Appl. No.: **29/753,736**
(22) Filed: **Oct. 1, 2020**

Related U.S. Application Data

(62) Division of application No. 29/688,675, filed on Apr. 23, 2019, now Pat. No. Des. 901,785.

Foreign Application Priority Data

Oct. 23, 2018 (EM) 005805397-0024
Oct. 23, 2018 (EM) 005805397-0026
Oct. 23, 2018 (EM) 005805397-0028
Oct. 23, 2018 (EM) 005805397-0030
Oct. 23, 2018 (EM) 005805397-0032

(51) **LOC (13) Cl.** **29-01**
(52) **U.S. Cl.**
USPC **D29/125**
(58) **Field of Classification Search**
USPC D9/682-694; D15/7-9.3; D29/125-130
CPC A62C 35/00-68
See application file for complete search history.

(56) **References Cited**

U.S. PATENT DOCUMENTS

1,925,228 A 9/1933 Bronder
D127,577 S 6/1941 Bishop et al.
D155,456 S 10/1949 Seaberg
D171,531 S 2/1954 Cramer et al.

OTHER PUBLICATIONS

Gyles, J.F.; U.S. Pat. No. 277,127, issued May 8, 1883.

Primary Examiner — George D. Kirschbaum
Assistant Examiner — Joseph J Kukella
(74) *Attorney, Agent, or Firm* — Edell, Shapiro & Finnan, LLC

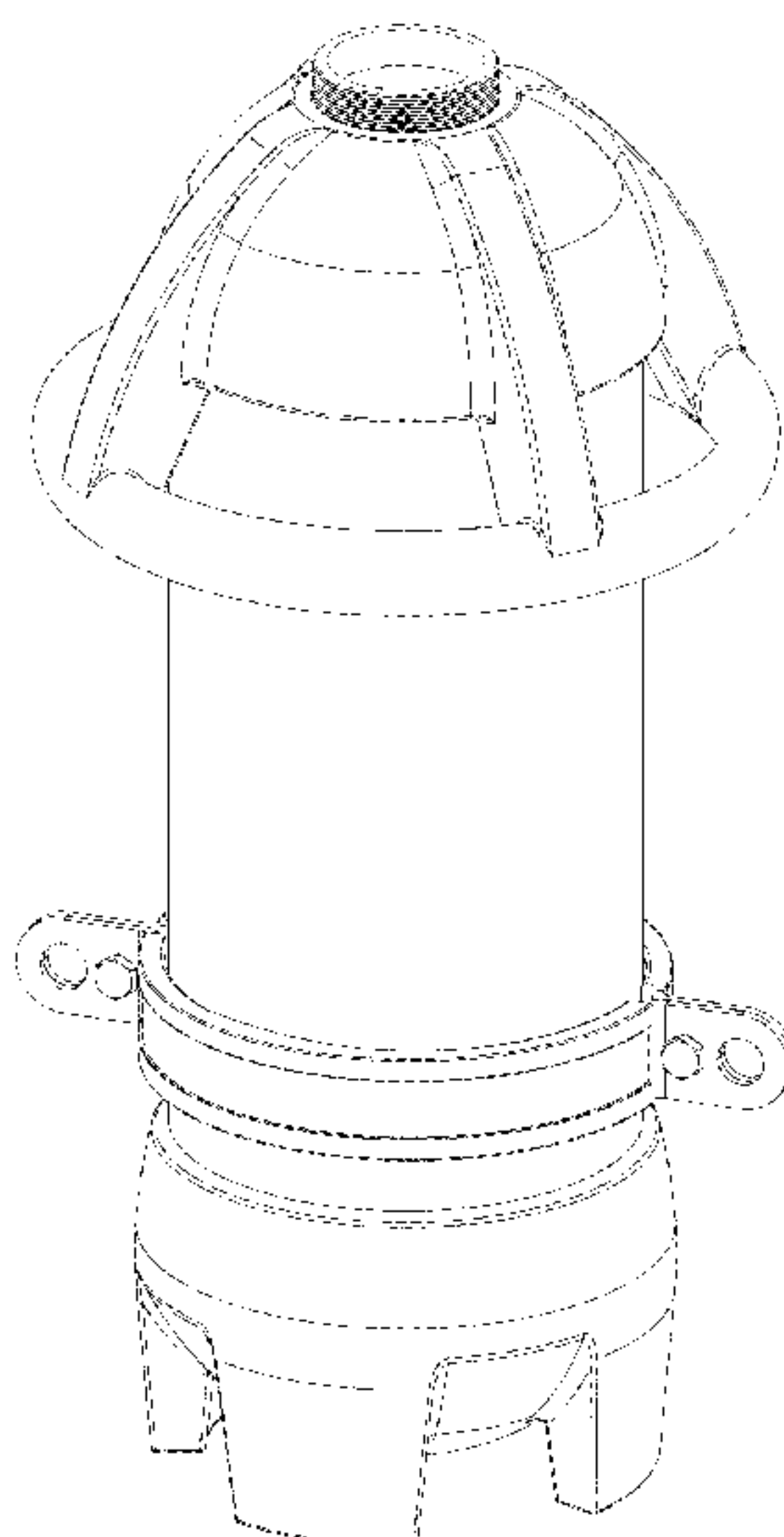
(57) **CLAIM**

The ornamental design for an explosion suppression system, as shown and described.

DESCRIPTION

FIG. 1 is a front elevation view of an explosion suppression system.
FIG. 2 is a rear elevation view of the explosion suppression system of FIG. 1.
FIG. 3 is a left side elevation view of the explosion suppression system of FIG. 1.
FIG. 4 is a right side elevation view of the explosion suppression system of FIG. 1.
FIG. 5 is a top plan view of the explosion suppression system of FIG. 1.
FIG. 6 is a bottom plan view of the explosion suppression system of FIG. 1.
FIG. 7 is a front, right perspective view from above of the explosion suppression system of FIG. 1; and,
FIG. 8 is a rear, right perspective view from below of the explosion suppression system of FIG. 1.

1 Claim, 7 Drawing Sheets



(56)

References Cited

U.S. PATENT DOCUMENTS

D901,091 S * 11/2020 Penno D29/125
D901,092 S * 11/2020 Penno D29/125
D901,785 S * 11/2020 Penno D29/125

* cited by examiner

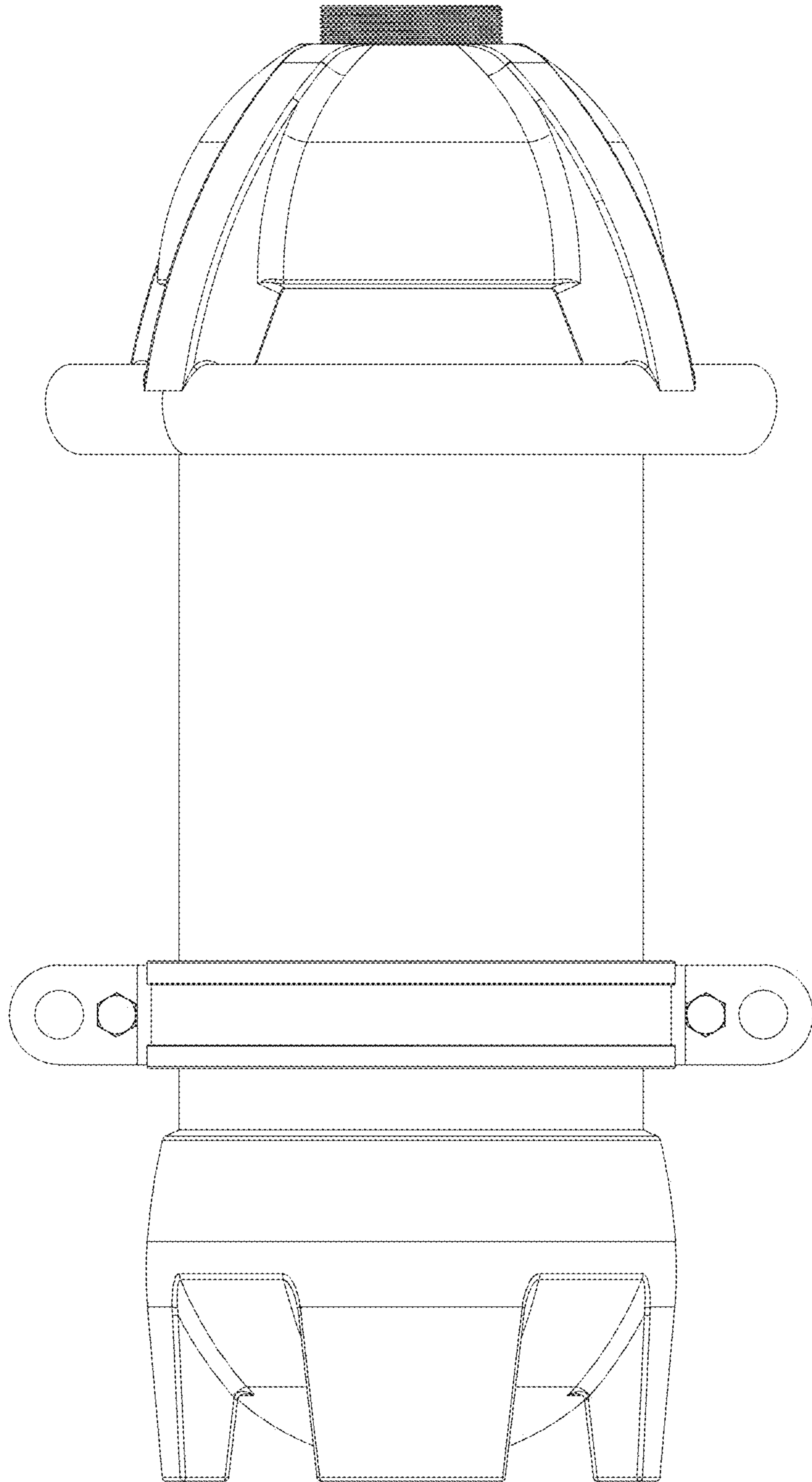


FIG.1

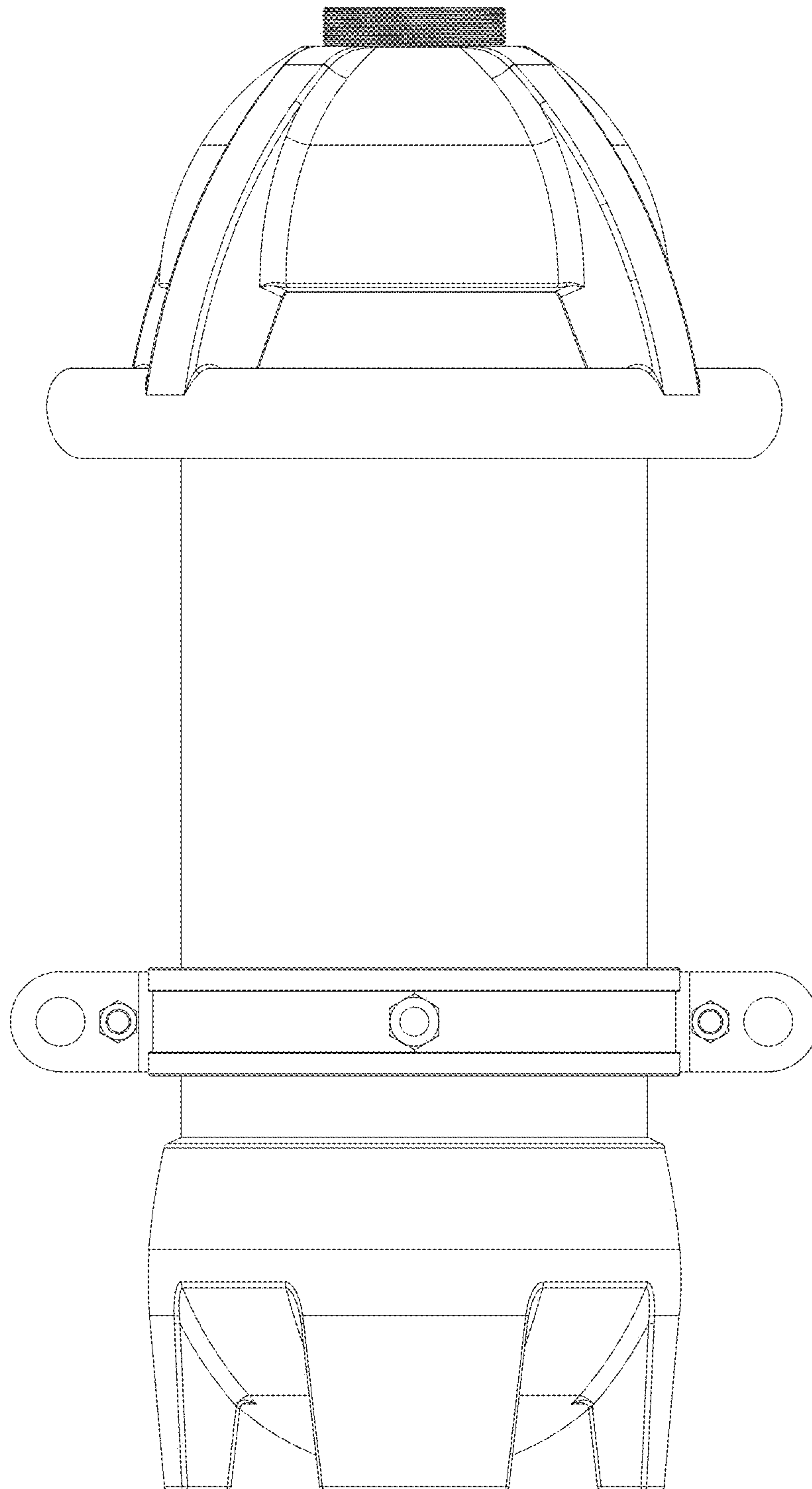


FIG.2

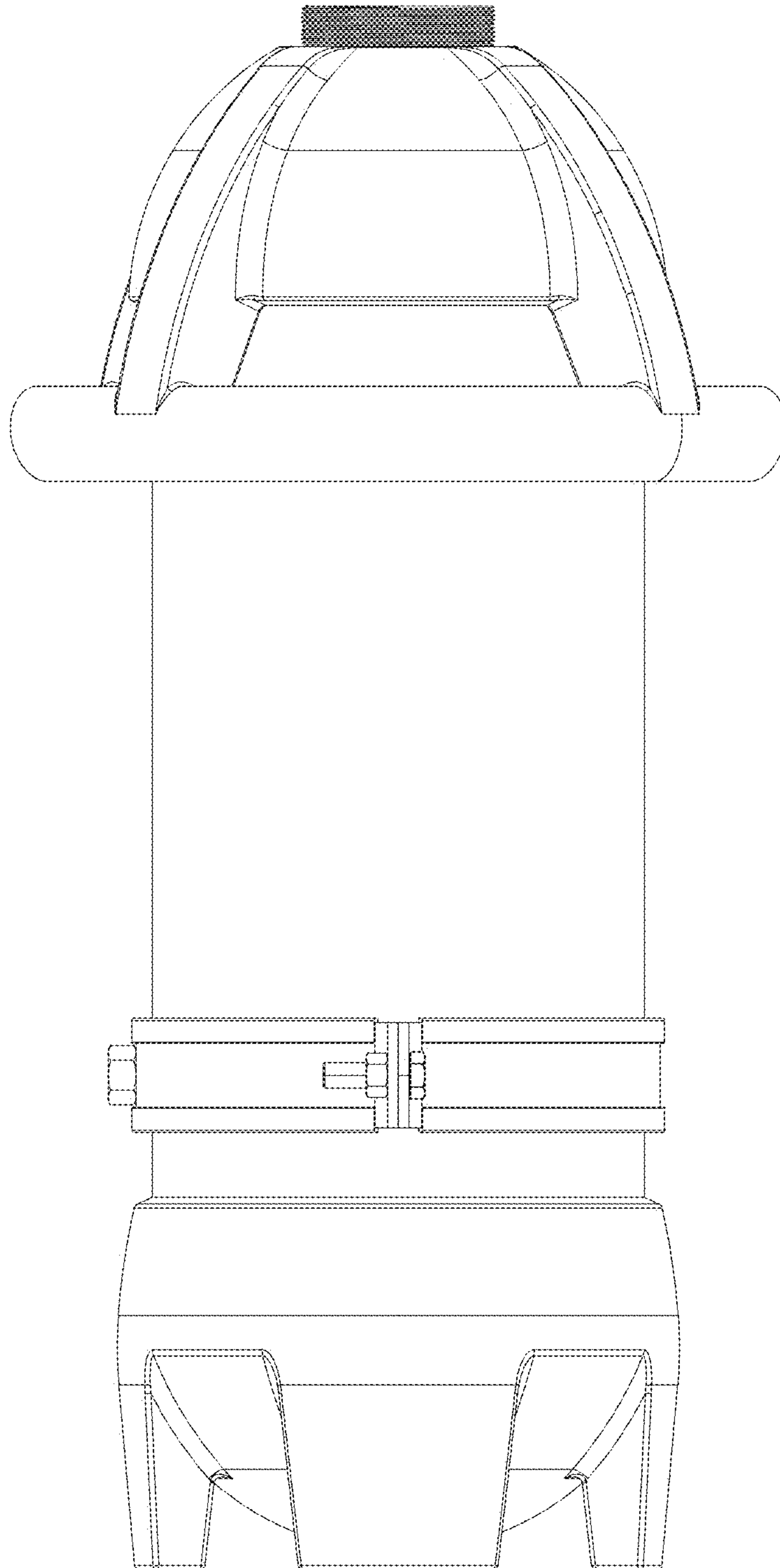


FIG.3

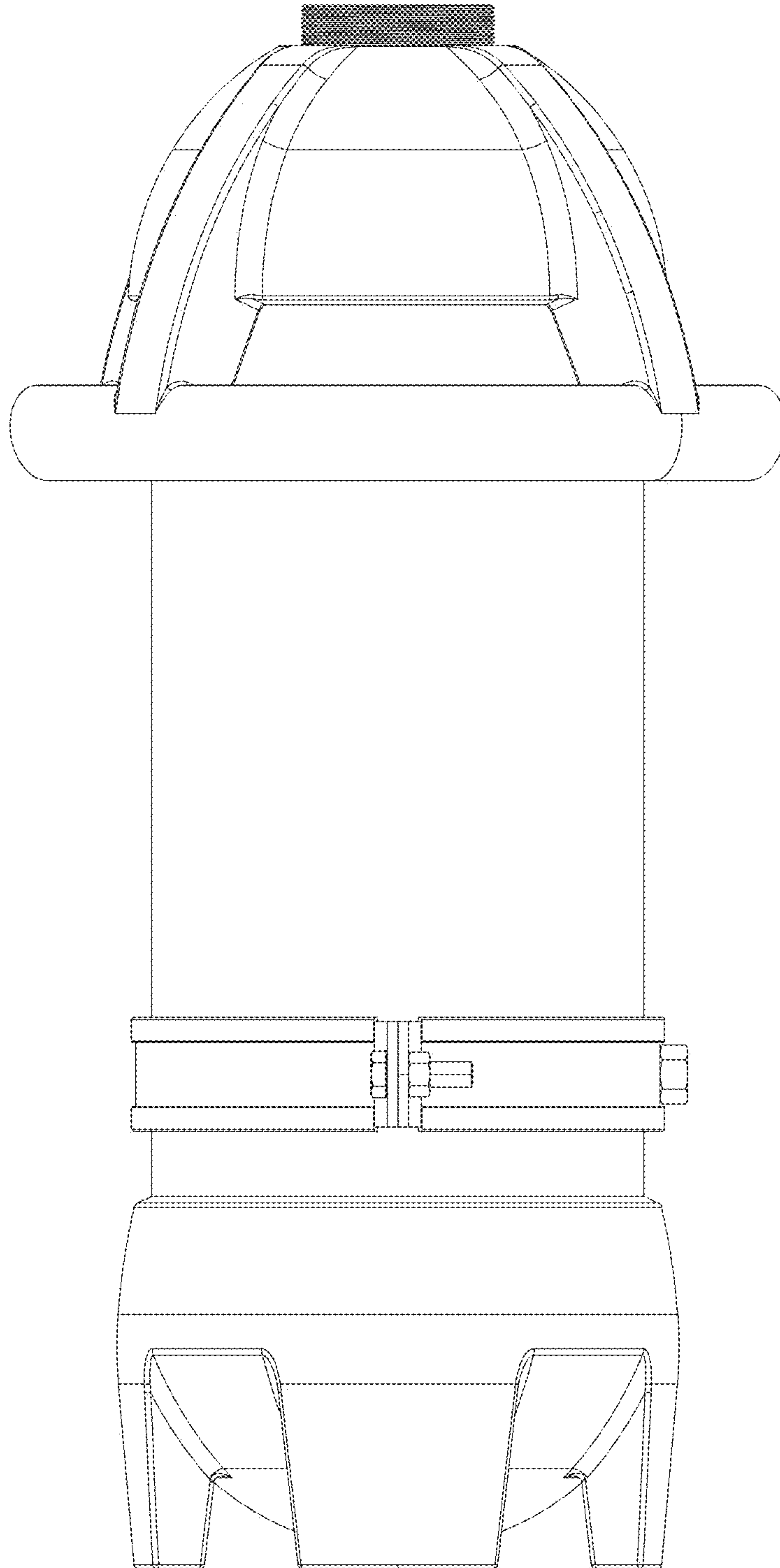


FIG.4

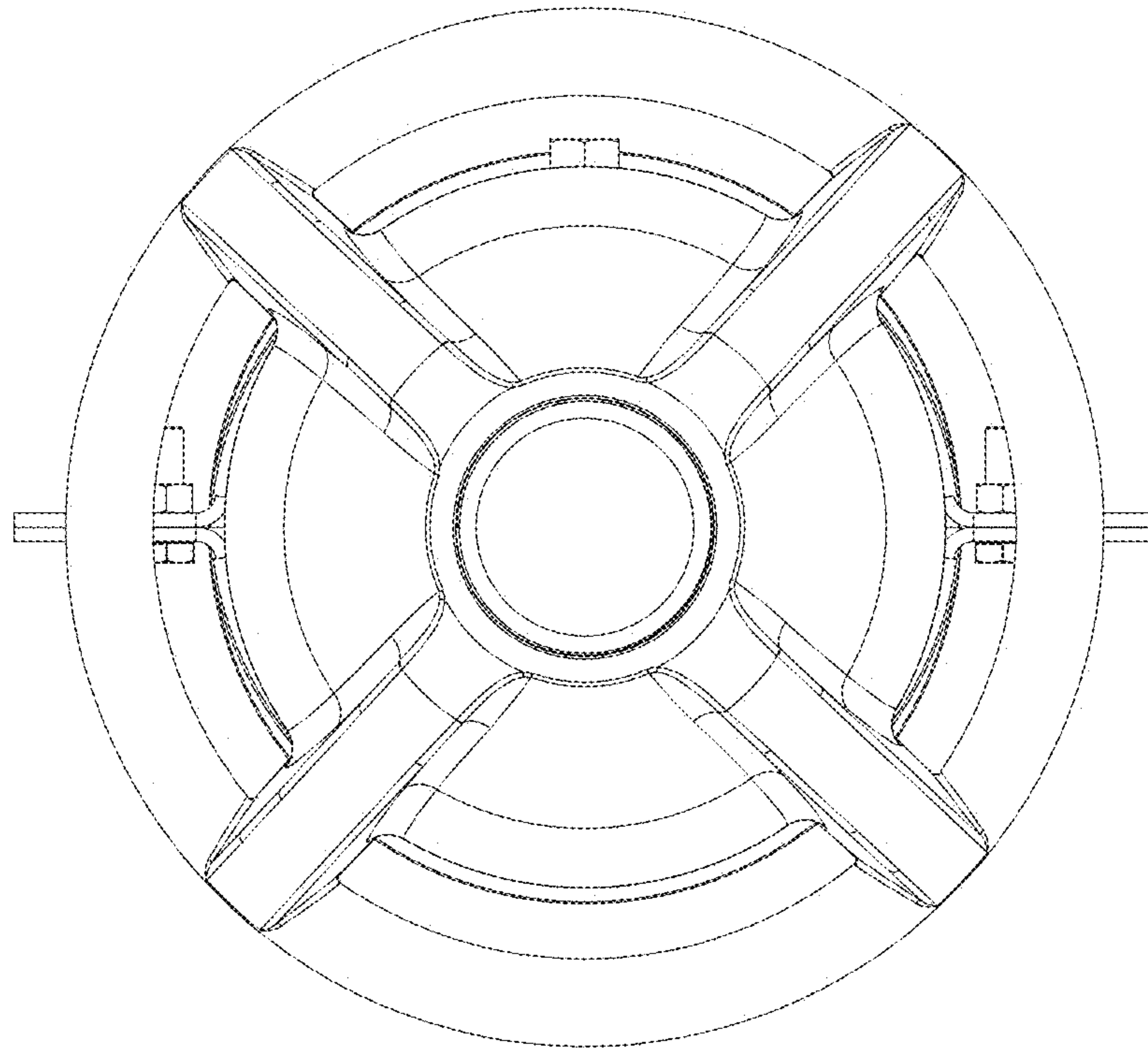


FIG.5

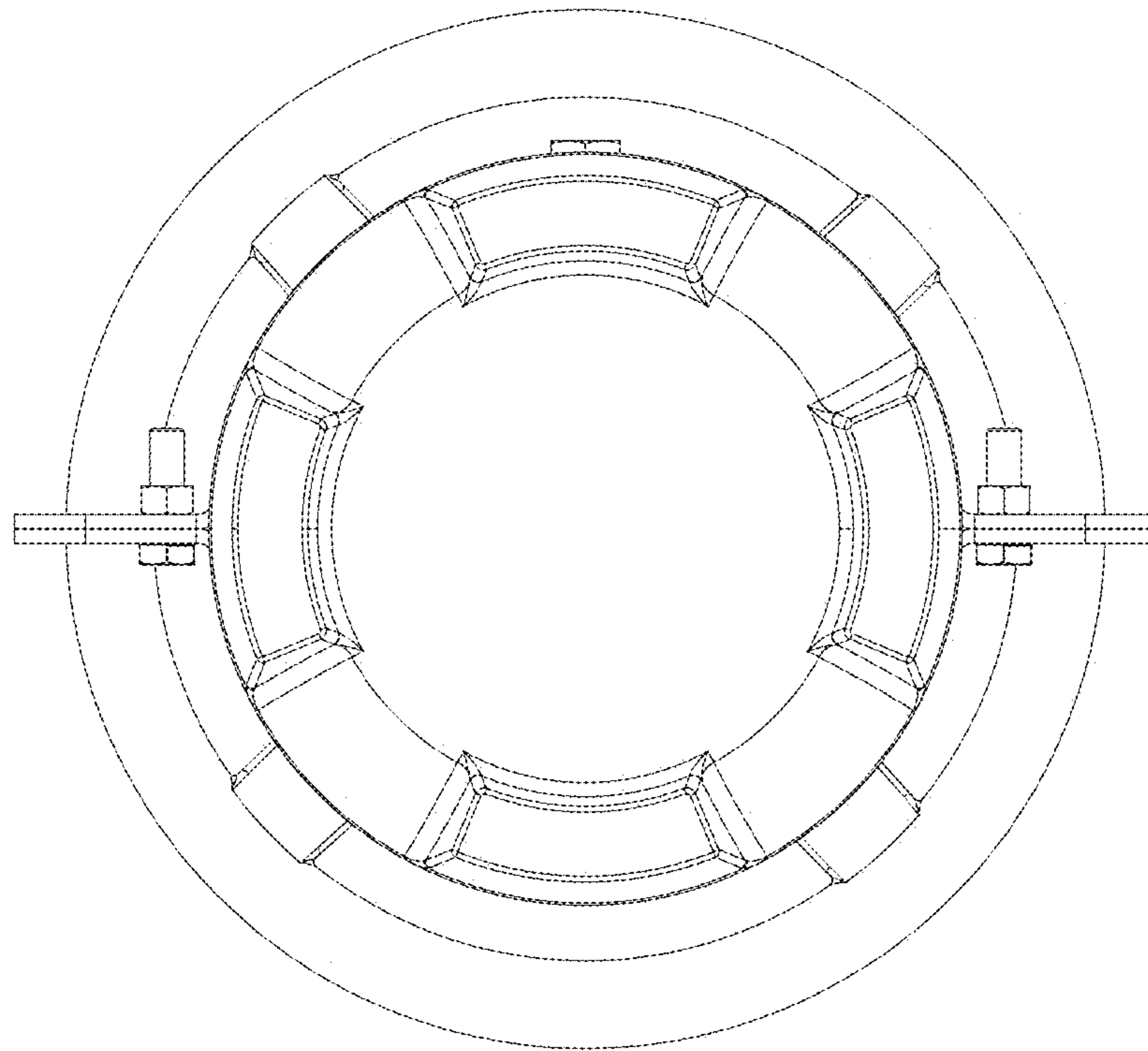


FIG.6

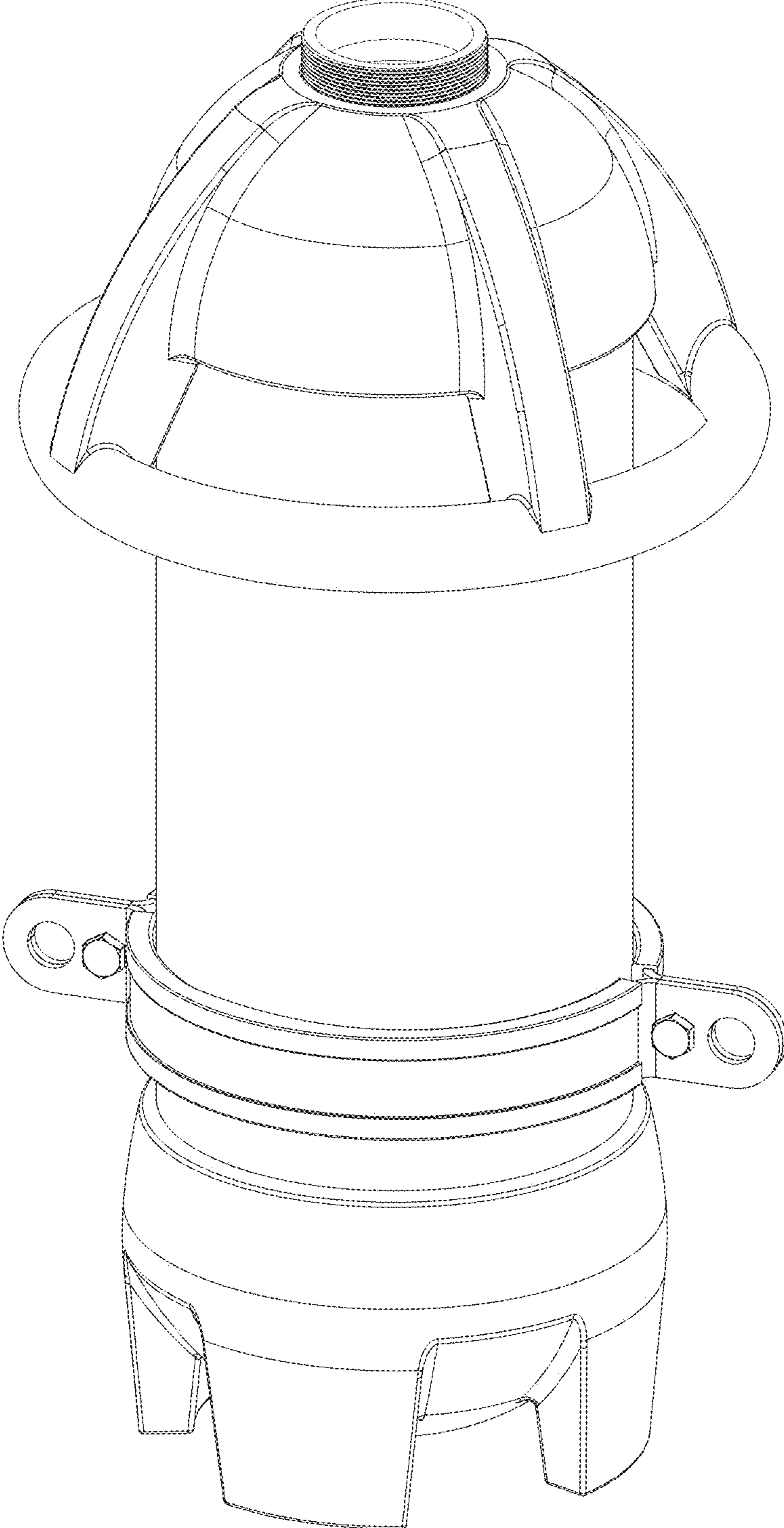


FIG. 7

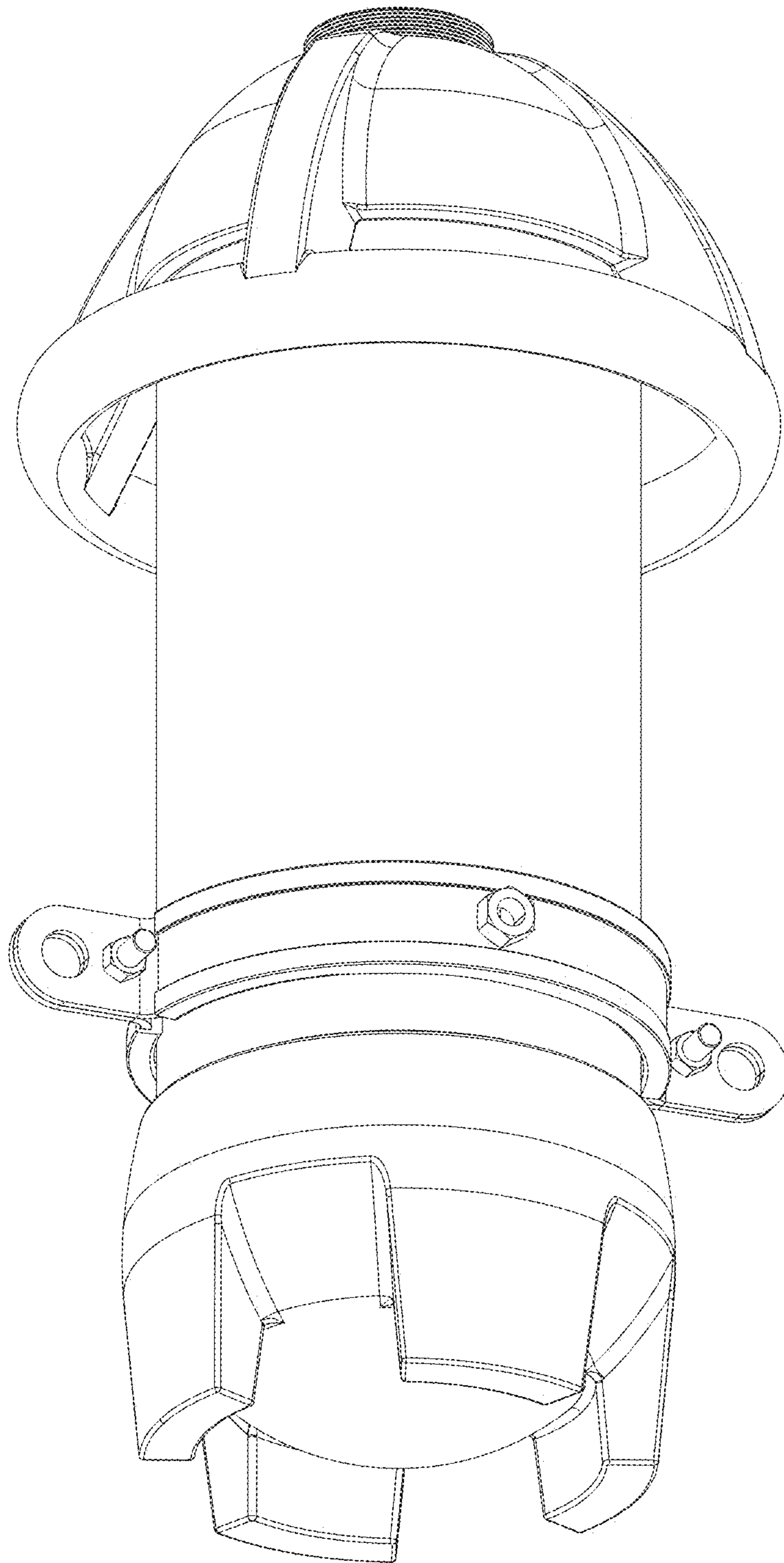


FIG. 8