



US00D929047S

(12) **United States Design Patent** (10) **Patent No.:** **US D929,047 S**  
**Deans et al.** (45) **Date of Patent:** **\*\* Aug. 24, 2021**

(54) **FACE SHIELD**

(71) Applicants: **Robin W. Deans**, Cypress, CA (US);  
**Mark C. Lengsfeld**, Los Alamitos, CA  
(US); **Frederick Daryl Lane**, Corona,  
CA (US)

(72) Inventors: **Robin W. Deans**, Cypress, CA (US);  
**Mark C. Lengsfeld**, Los Alamitos, CA  
(US); **Frederick Daryl Lane**, Corona,  
CA (US)

(\*\*) Term: **15 Years**

(21) Appl. No.: **29/733,932**

(22) Filed: **May 7, 2020**

(51) **LOC (13) Cl.** ..... **29-02**

(52) **U.S. Cl.**  
USPC ..... **D29/110**

(58) **Field of Classification Search**  
USPC ..... D29/105–110, 123; D24/110.1–110.2;  
D2/866, 893; D28/10; D16/310–312  
See application file for complete search history.

(56) **References Cited**

**U.S. PATENT DOCUMENTS**

|              |      |         |          |       |                            |
|--------------|------|---------|----------|-------|----------------------------|
| 4,671,775    | A *  | 6/1987  | Hill     | ..... | B63C 9/08<br>2/202         |
| 5,099,525    | A *  | 3/1992  | Millauro | ..... | A41D 13/1115<br>128/206.19 |
| 5,453,314    | A *  | 9/1995  | Collier  | ..... | A41D 31/04<br>428/198      |
| 6,298,492    | B1 * | 10/2001 | Stirling | ..... | A42B 1/046<br>2/206        |
| 6,834,646    | B2 * | 12/2004 | Alon     | ..... | A62B 17/04<br>128/201.22   |
| 2009/0151049 | A1 * | 6/2009  | Conrardy | ..... | A42B 1/067<br>2/206        |

|              |      |         |         |       |                     |
|--------------|------|---------|---------|-------|---------------------|
| 2011/0093998 | A1 * | 4/2011  | Brennan | ..... | A41D 13/1153<br>2/4 |
| 2015/0320124 | A1 * | 11/2015 | Chua    | ..... | A42B 3/105<br>2/457 |
| 2017/0225016 | A1 * | 8/2017  | Leggett | ..... | A42B 1/06           |

**OTHER PUBLICATIONS**

Face Shield, <https://www.man.com>, as downloaded on Apr. 1, 2020.  
Face Shield, <https://www.news.yahoo.com>, as downloaded on Apr. 2, 2020.  
Face Shield, <https://www.man.com>, as downloaded on Apr. 3, 2020.

(Continued)

*Primary Examiner* — Robert A Delehanty

(74) *Attorney, Agent, or Firm* — Knobbe Martens Olson & Bear, LLP

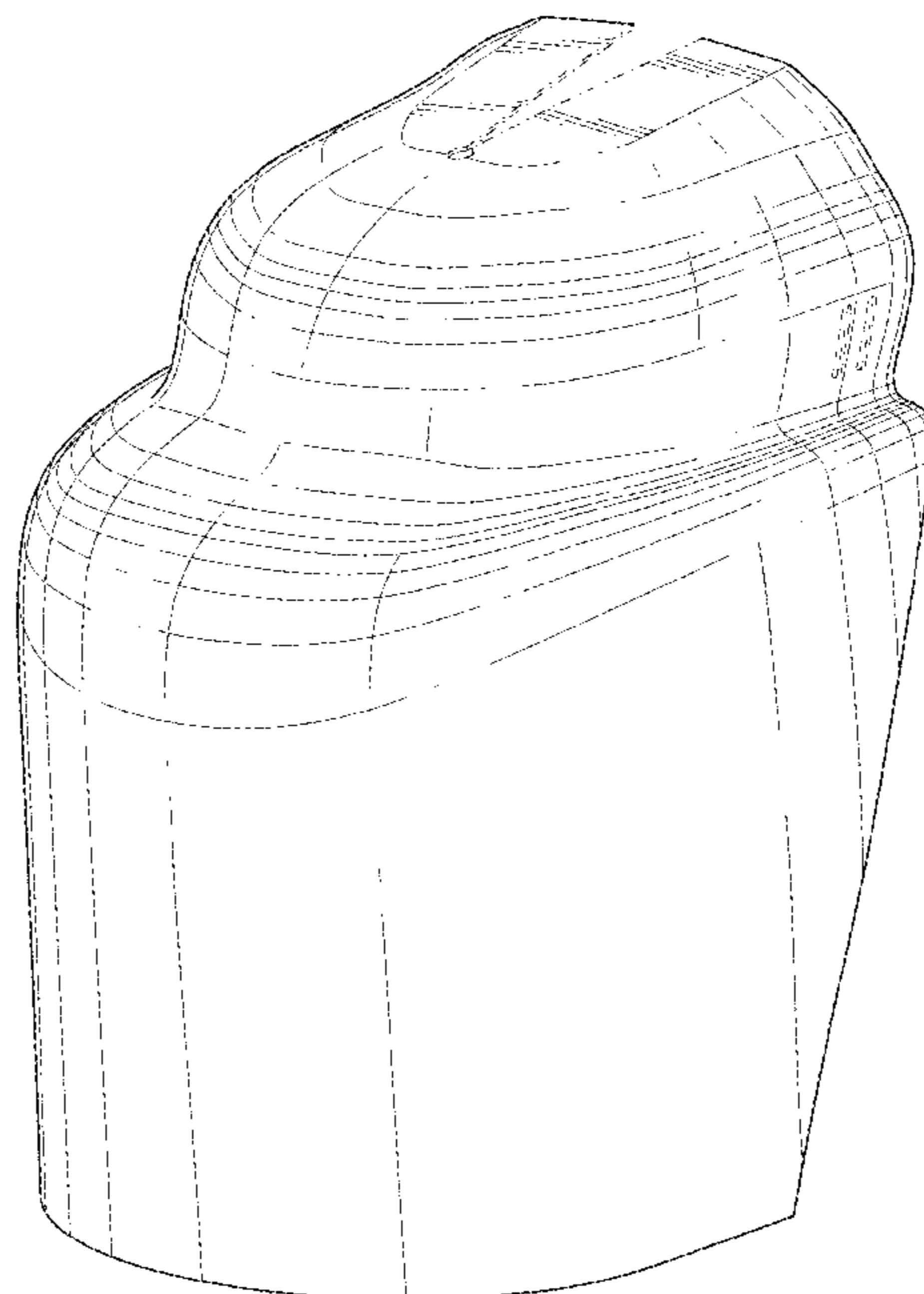
(57) **CLAIM**

The ornamental design for a face shield, as shown and described.

**DESCRIPTION**

FIG. 1 is a top, front, left-side perspective view of a face shield embodying our design in a first state; FIG. 2 is a bottom, rear, left-side perspective view thereof; FIG. 3 is a front elevation view thereof; FIG. 4 is a rear elevation view thereof; FIG. 5 is a left-side elevation view thereof; FIG. 6 is a right-side elevation view thereof; FIG. 7 is a top plan view thereof; and, FIG. 8 is a bottom plan view thereof. The dot-dash-dot broken lines in FIGS. 1-4, 7, and 8 around the top portion of the face shield denote unclaimed boundaries of the claimed design, and the dash-dash broken lines in the Figures show portions of the face shield which form no part of the claimed design.

**1 Claim, 8 Drawing Sheets**



(56)

**References Cited**

OTHER PUBLICATIONS

Face Shield, <https://www.lovemoney.com>, as downloaded on Apr. 3, 2020.

Face Shield, <https://www.news.yahoo.com>, as downloaded on Apr. 3, 2020.

Face Shield, <https://www.thehive.com>, as downloaded on Apr. 5, 2020.

Face Shield, retrieved from Internet before Apr. 7, 2020.

\* cited by examiner

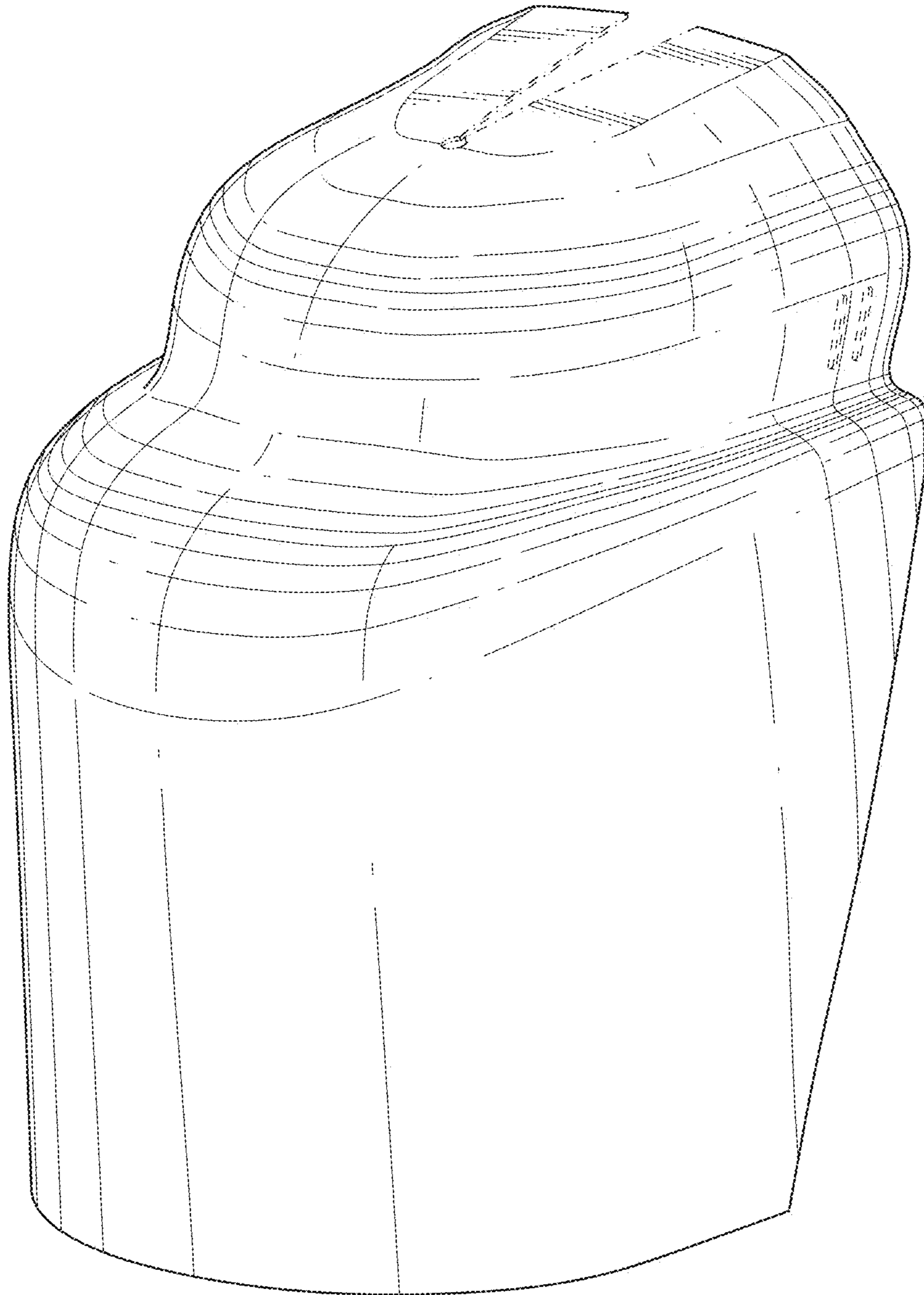


FIG. 1

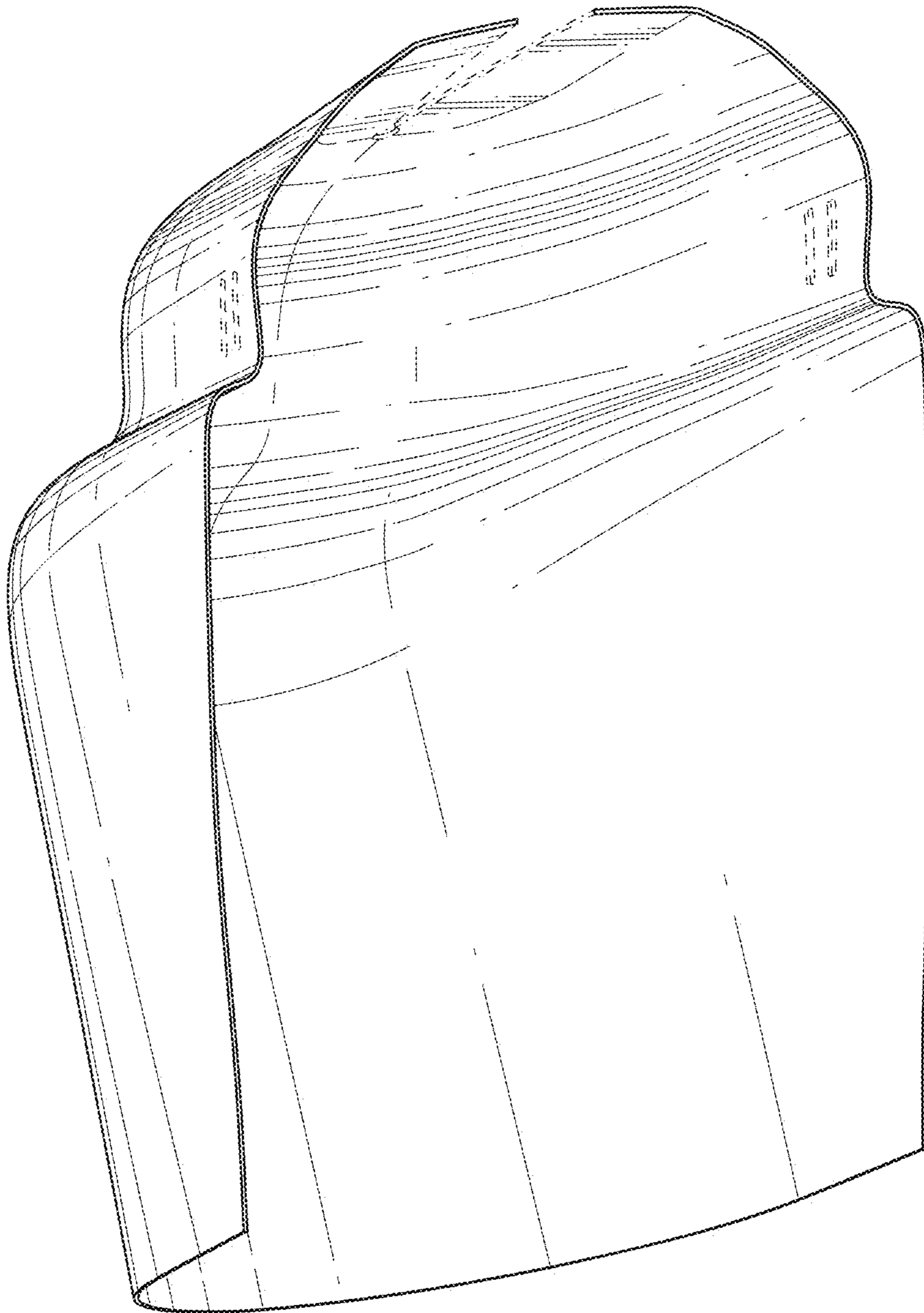


FIG. 2

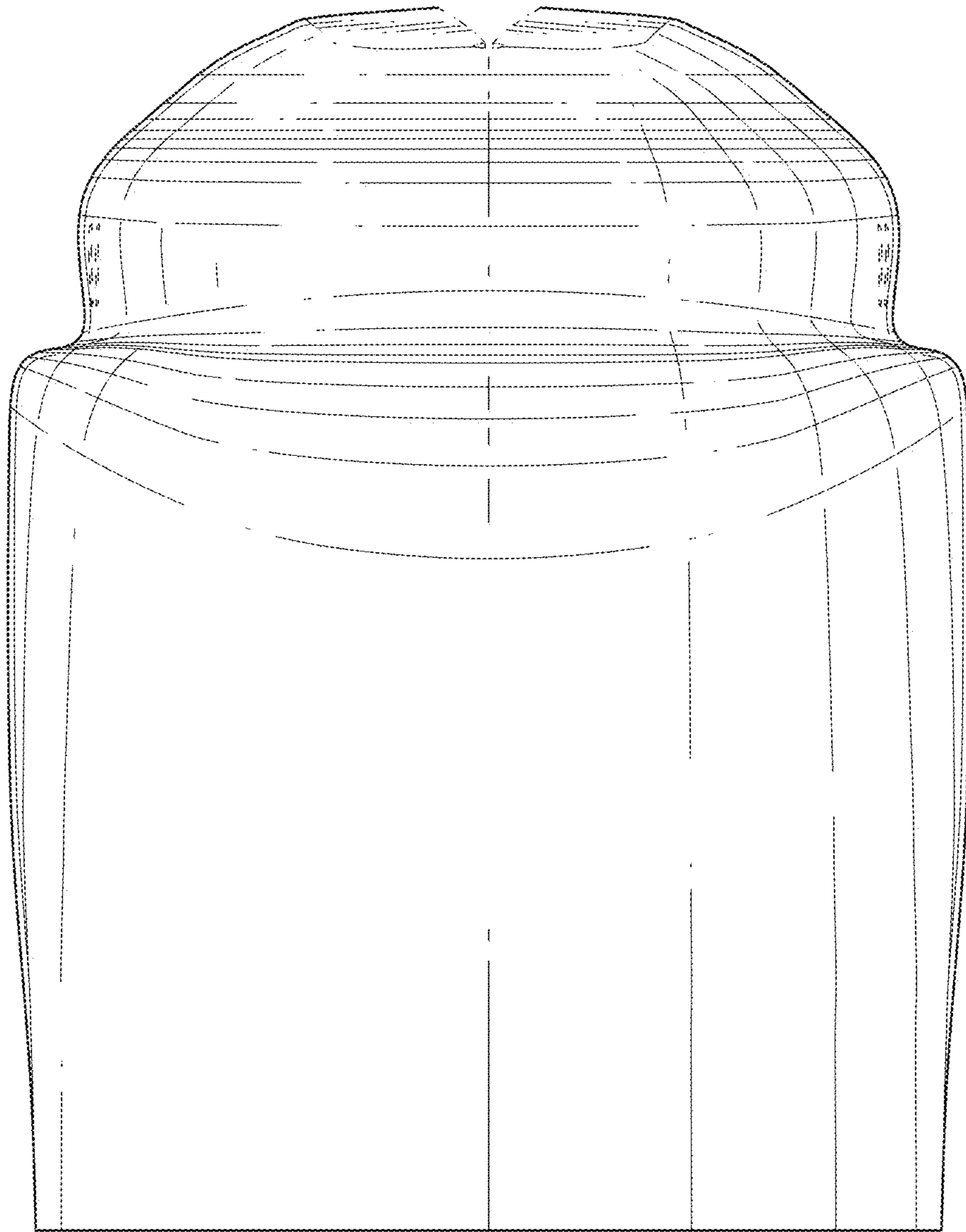


FIG. 3

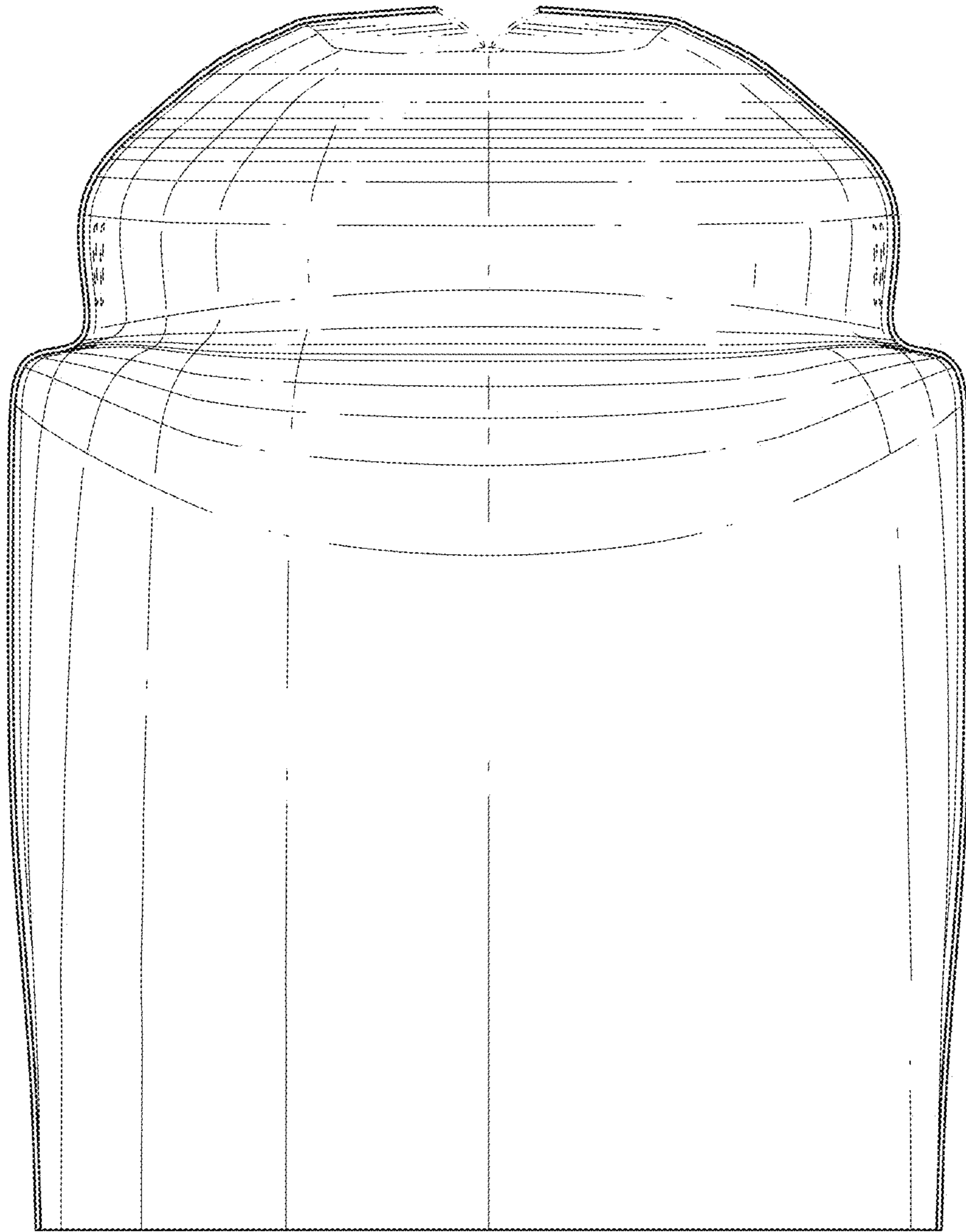


FIG. 4

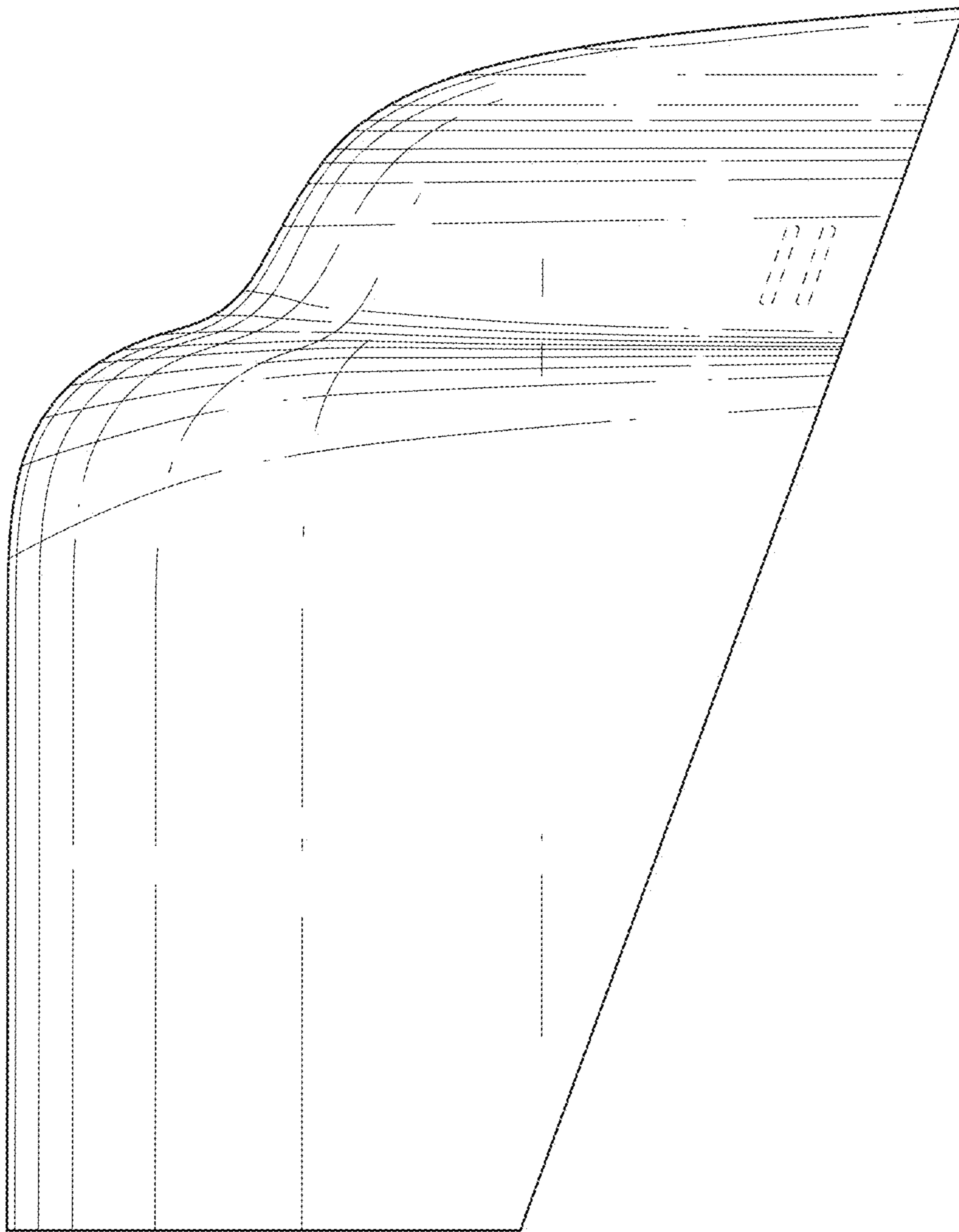


FIG. 5

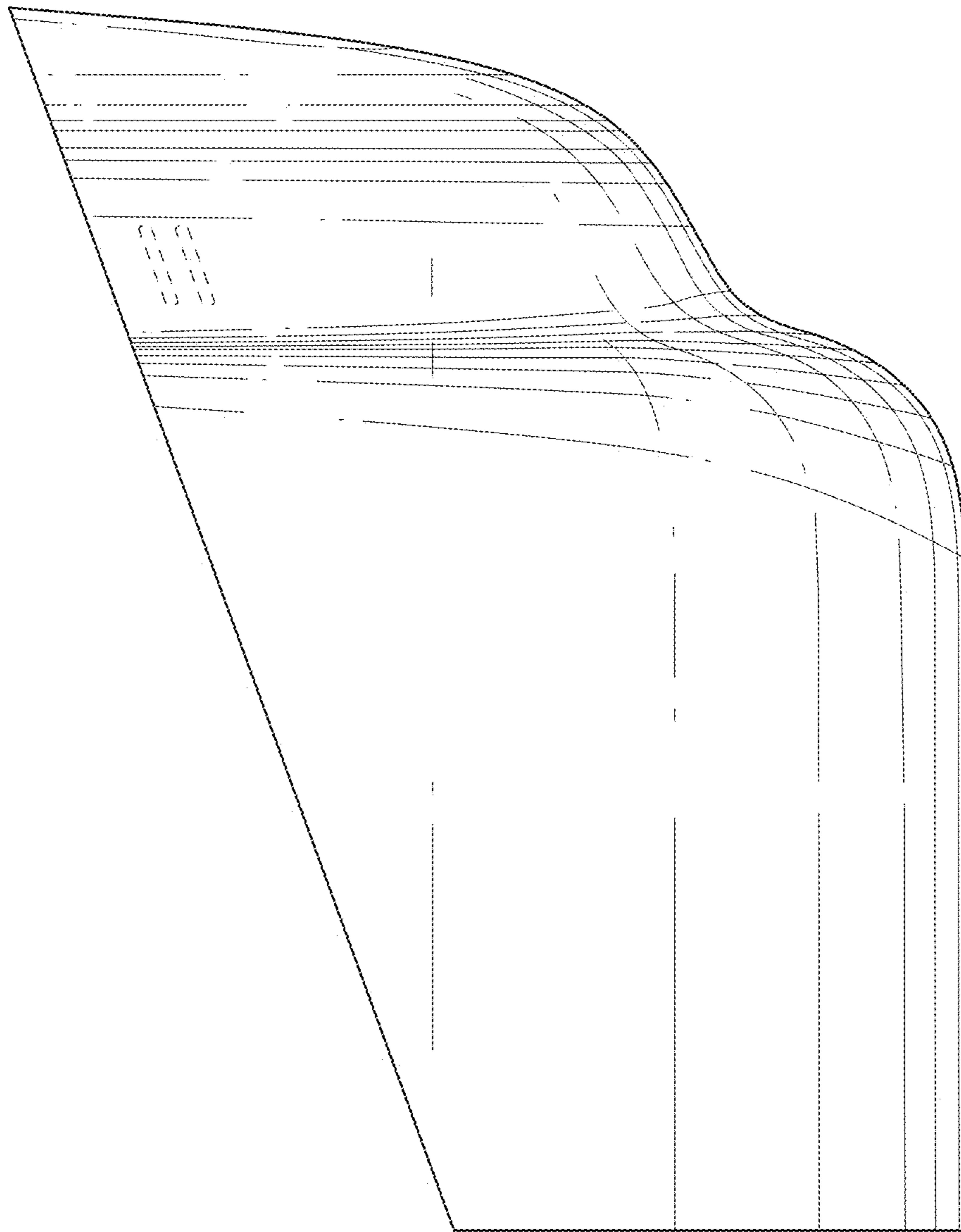


FIG. 6



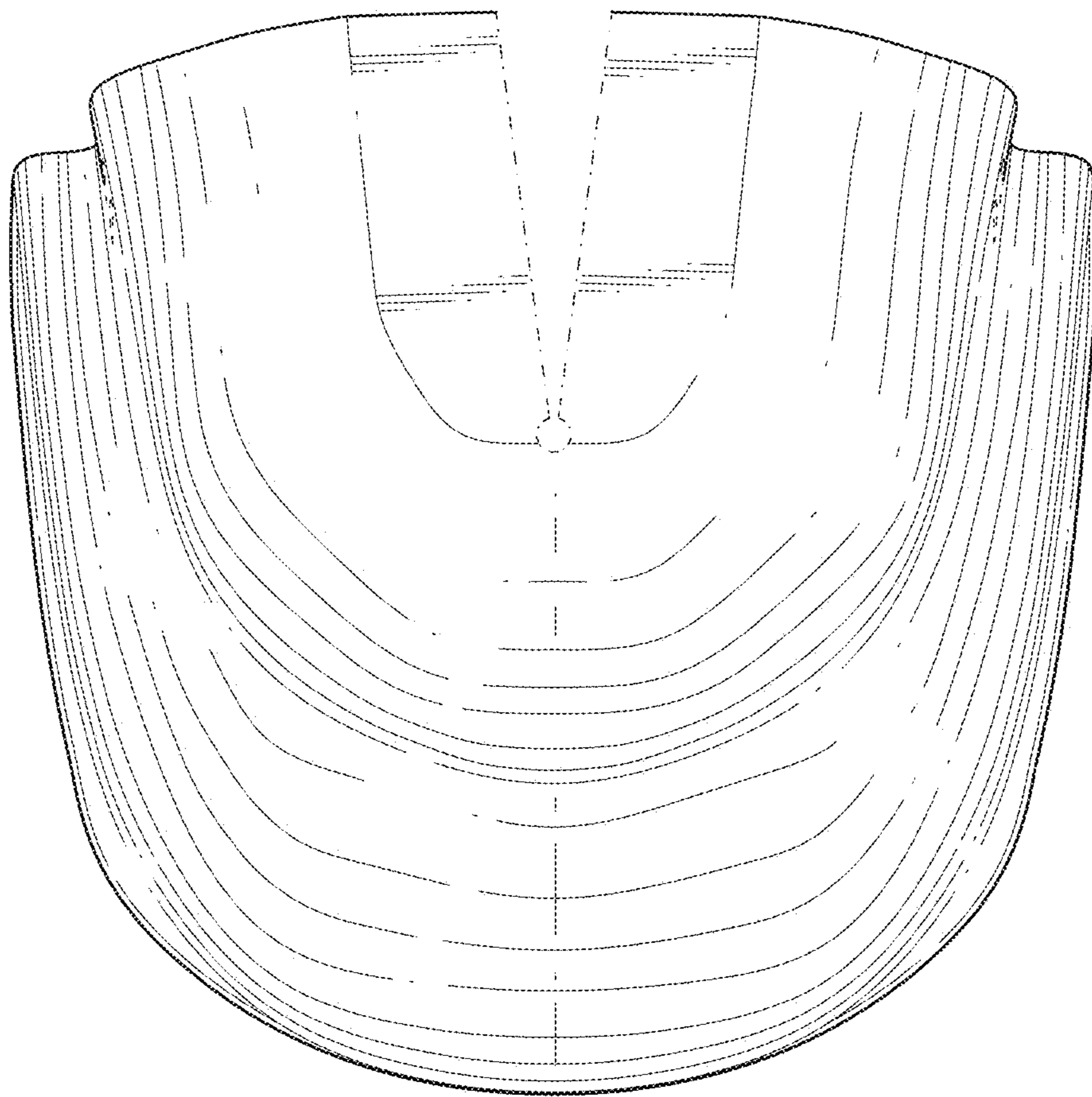


FIG. 7

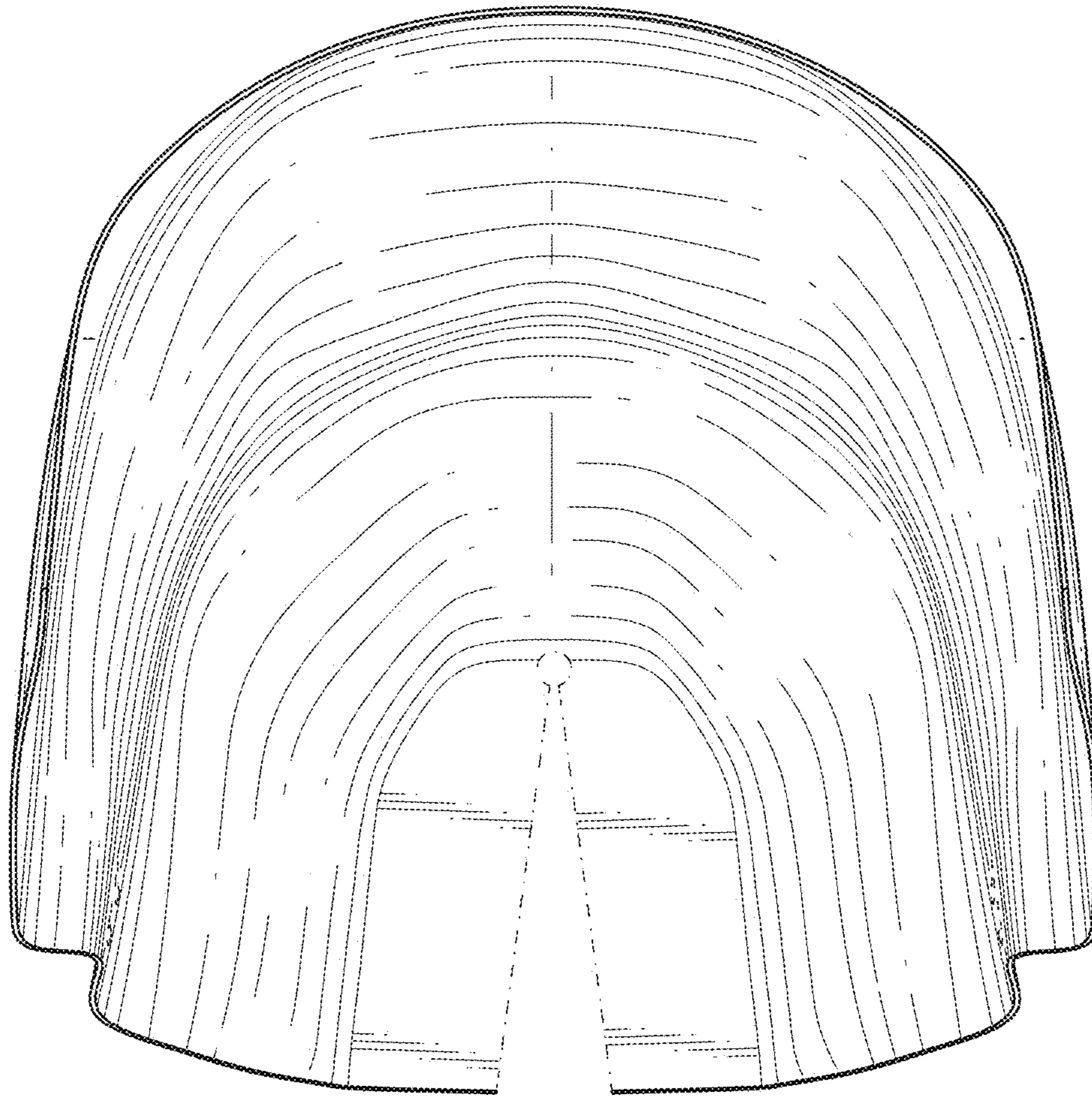


FIG. 8