



US00D929046S

(12) **United States Design Patent**  
**Baker**

(10) **Patent No.:** **US D929,046 S**

(45) **Date of Patent:** **\*\* Aug. 24, 2021**

(54) **FACE SHIELD**

(71) Applicant: **Jay Baker**, Mayville, NY (US)

(72) Inventor: **Jay Baker**, Mayville, NY (US)

(\*\*) Term: **15 Years**

(21) Appl. No.: **29/733,926**

(22) Filed: **May 7, 2020**

(51) **LOC (13) Cl.** ..... **29-02**

(52) **U.S. Cl.**  
USPC ..... **D29/110**

(58) **Field of Classification Search**  
USPC ..... D29/105–110, 123; D24/110.1–110.2;  
D2/866, 893; D28/10; D16/310–312  
See application file for complete search history.

(56) **References Cited**

U.S. PATENT DOCUMENTS

- 2,798,222 A \* 7/1957 Evans ..... A42B 3/225  
2/9
- 4,950,445 A \* 8/1990 Salce ..... A41D 13/1184  
264/549
- 5,009,225 A \* 4/1991 Vrabel ..... A41D 13/1184  
128/200.24
- 5,088,114 A \* 2/1992 Salce ..... A41D 13/1184  
2/9
- D358,684 S \* 5/1995 Salce ..... D29/108

- 5,956,760 A \* 9/1999 Wine ..... A41D 13/1184  
2/9
- 2007/0220649 A1\* 9/2007 Huh ..... A42B 3/226  
2/9
- 2020/0353294 A1\* 11/2020 Feasey ..... A61F 9/029

FOREIGN PATENT DOCUMENTS

CA 306145215 \* 11/2020

\* cited by examiner

*Primary Examiner* — Robert A Delehanty

(74) *Attorney, Agent, or Firm* — The Bilicki Law Firm,  
P.C.; Carl A. Hjort, III

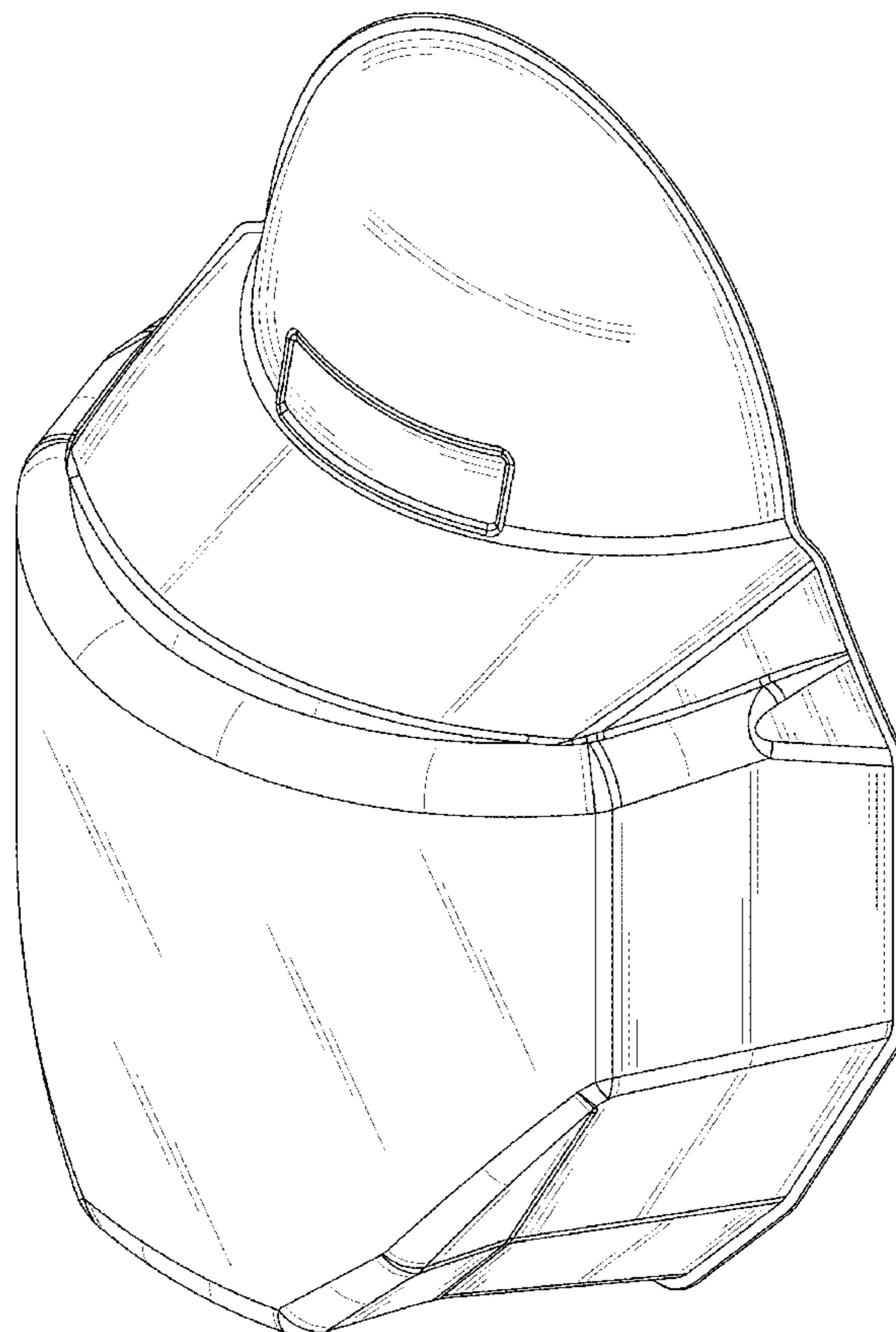
(57) **CLAIM**

The ornamental design for a face shield, as shown and described.

**DESCRIPTION**

FIG. 1 is a front elevational view of a face shield according to my design;  
FIG. 2 is a right side elevational view thereof;  
FIG. 3 is a top plan view thereof;  
FIG. 4 is a bottom plan view thereof;  
FIG. 5 is a left side elevational view thereof;  
FIG. 6 is a top right perspective view thereof; and,  
FIG. 7 is a bottom left perspective view thereof.

**1 Claim, 7 Drawing Sheets**



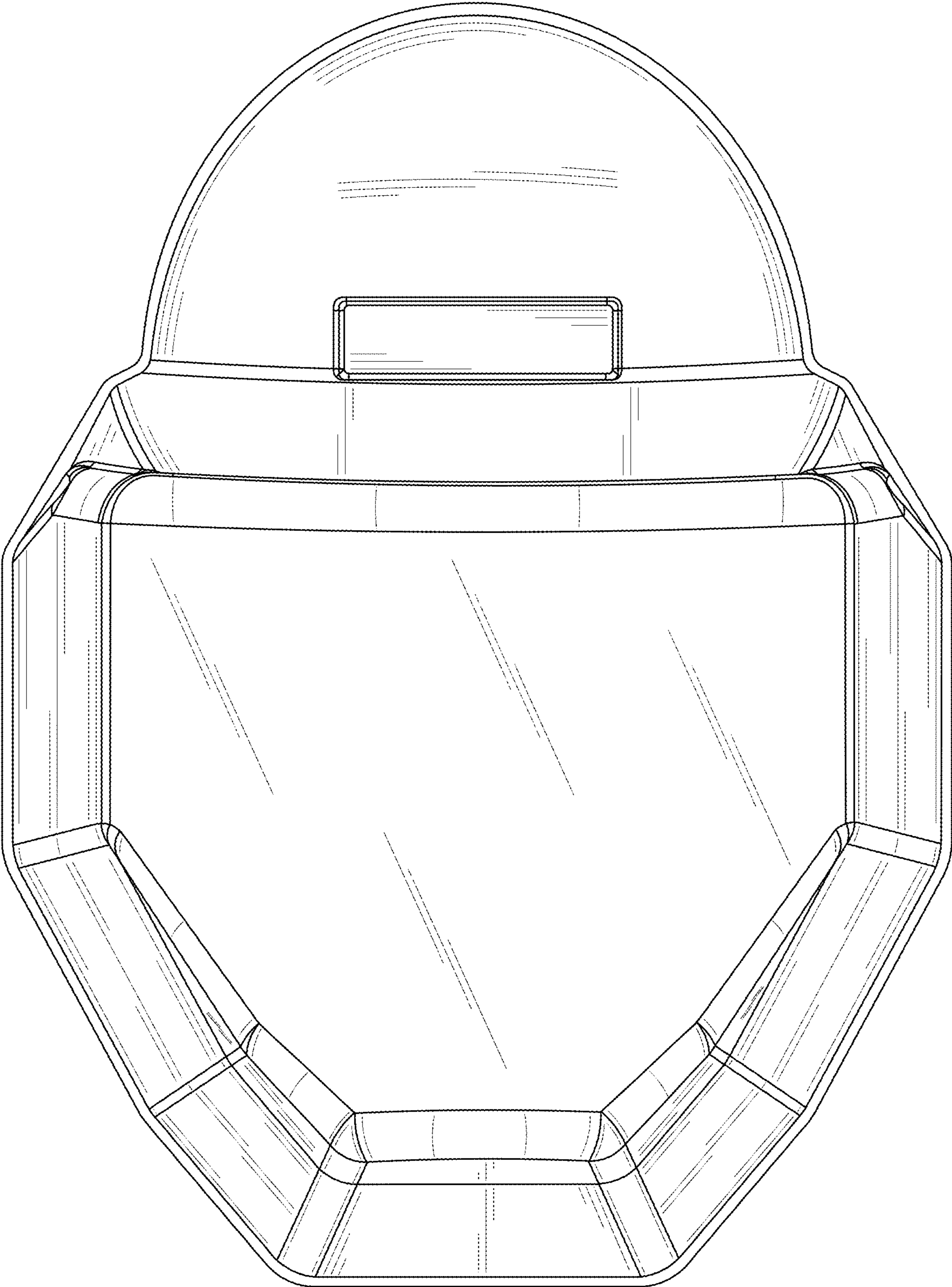


FIG. 1

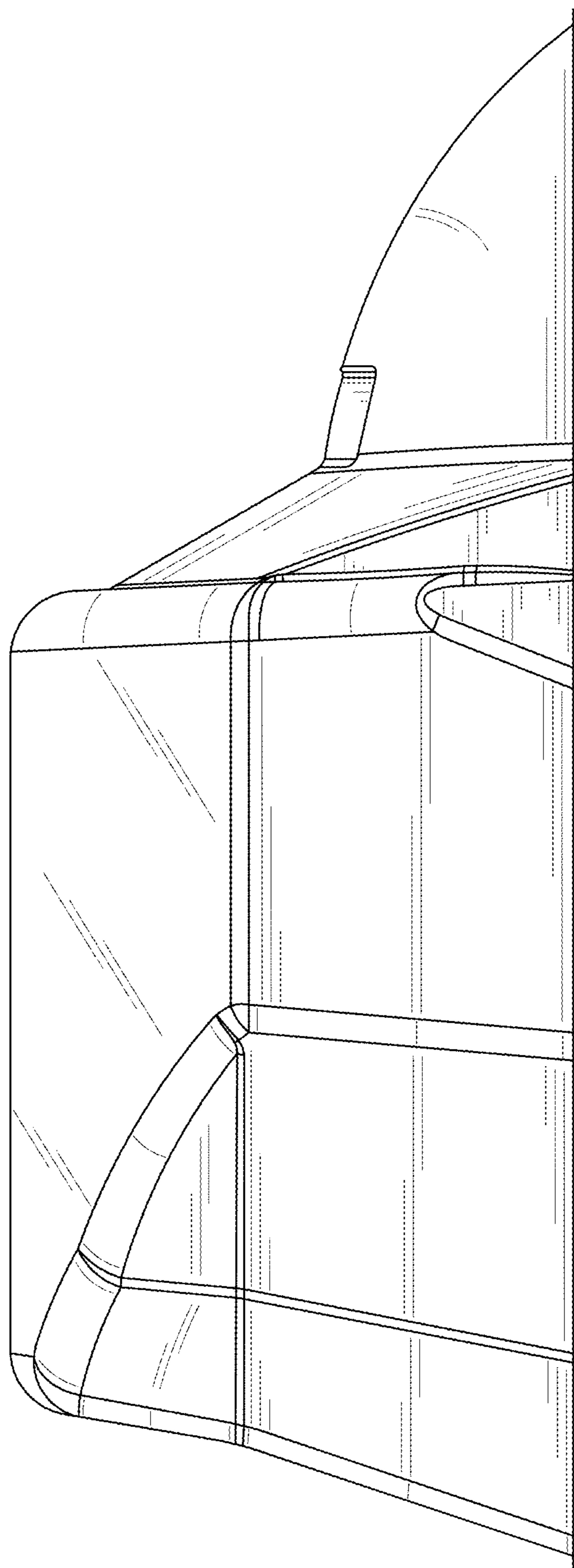


FIG. 2

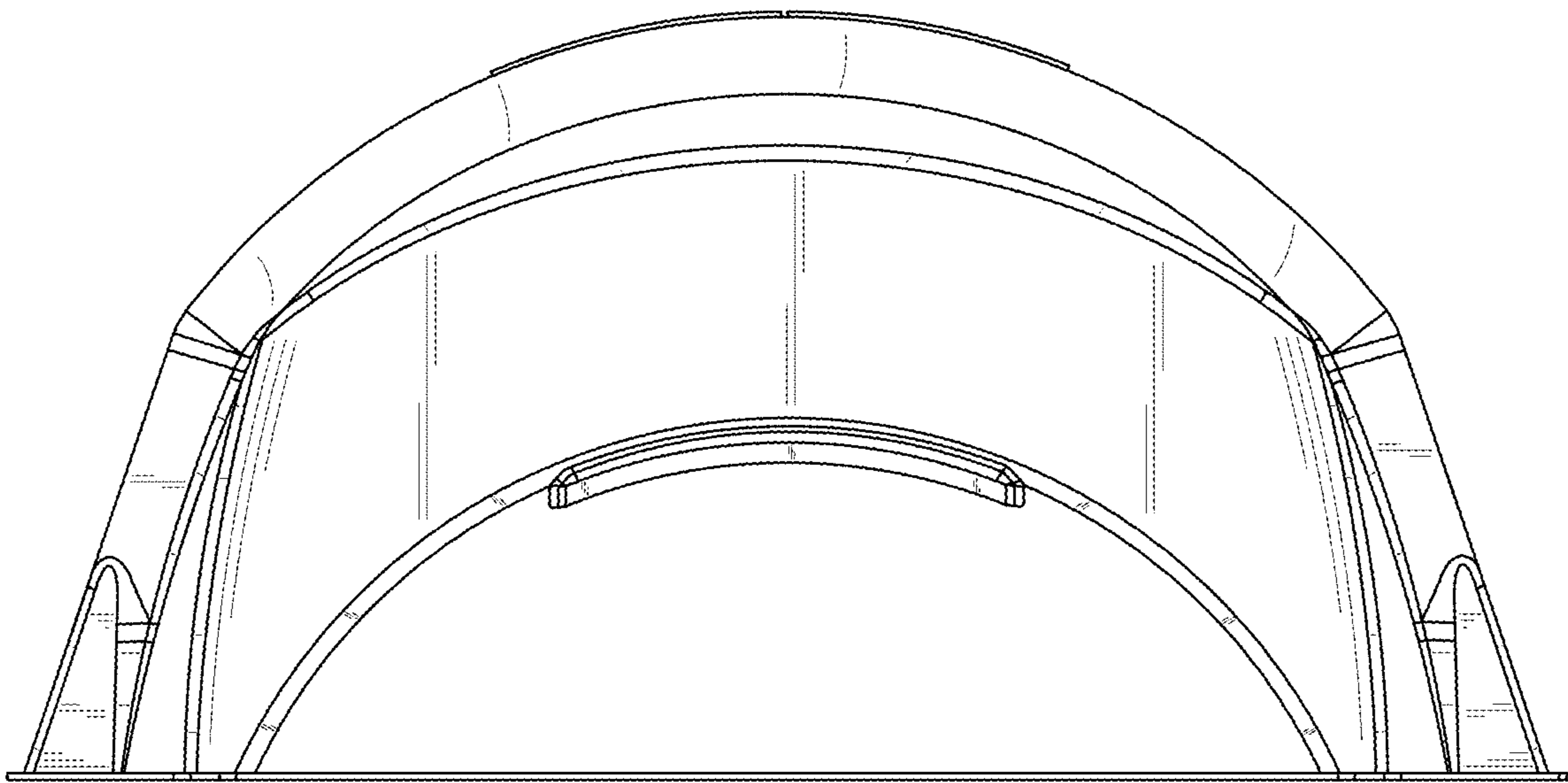


FIG. 3

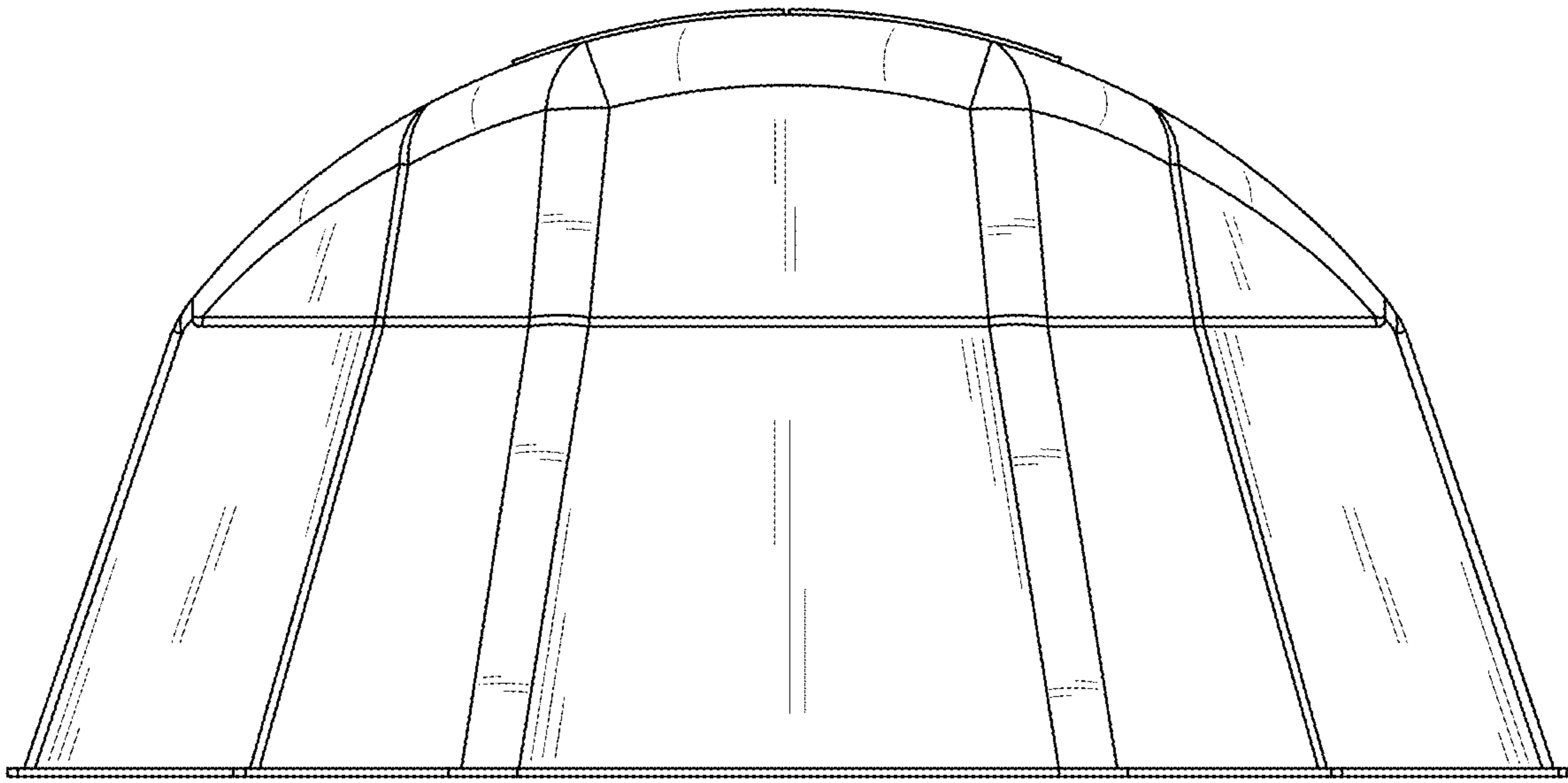


FIG. 4

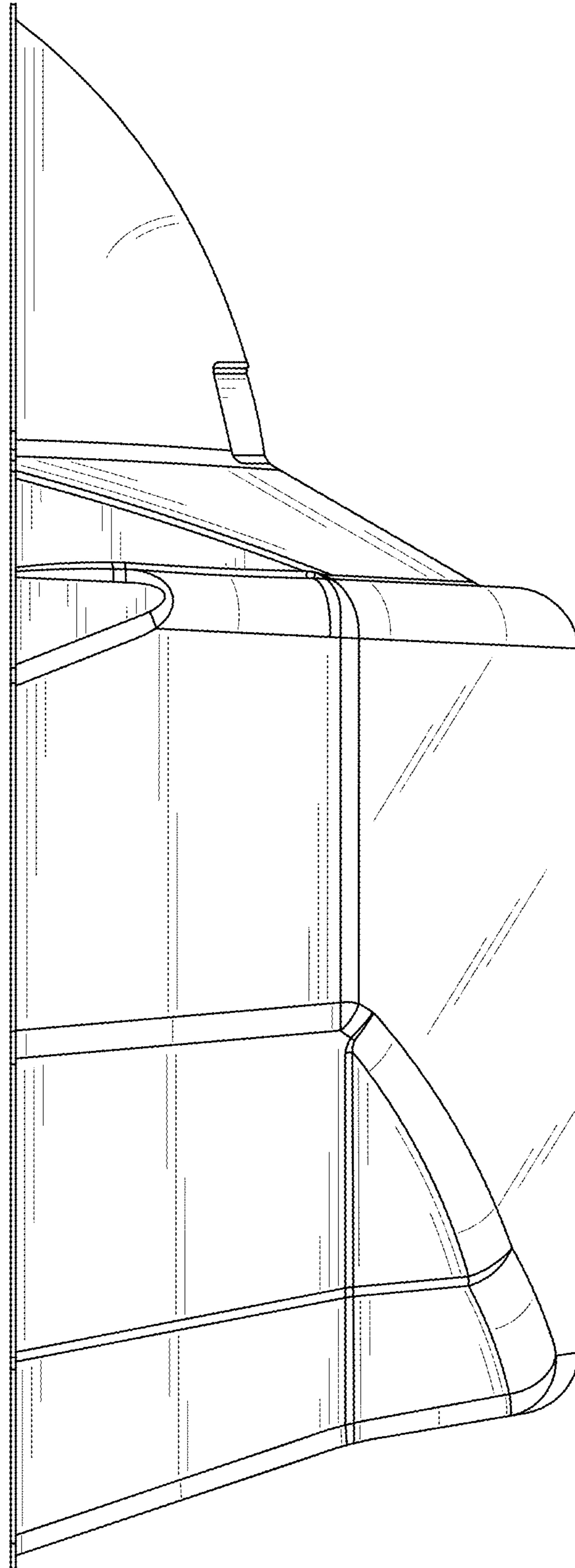


FIG. 5

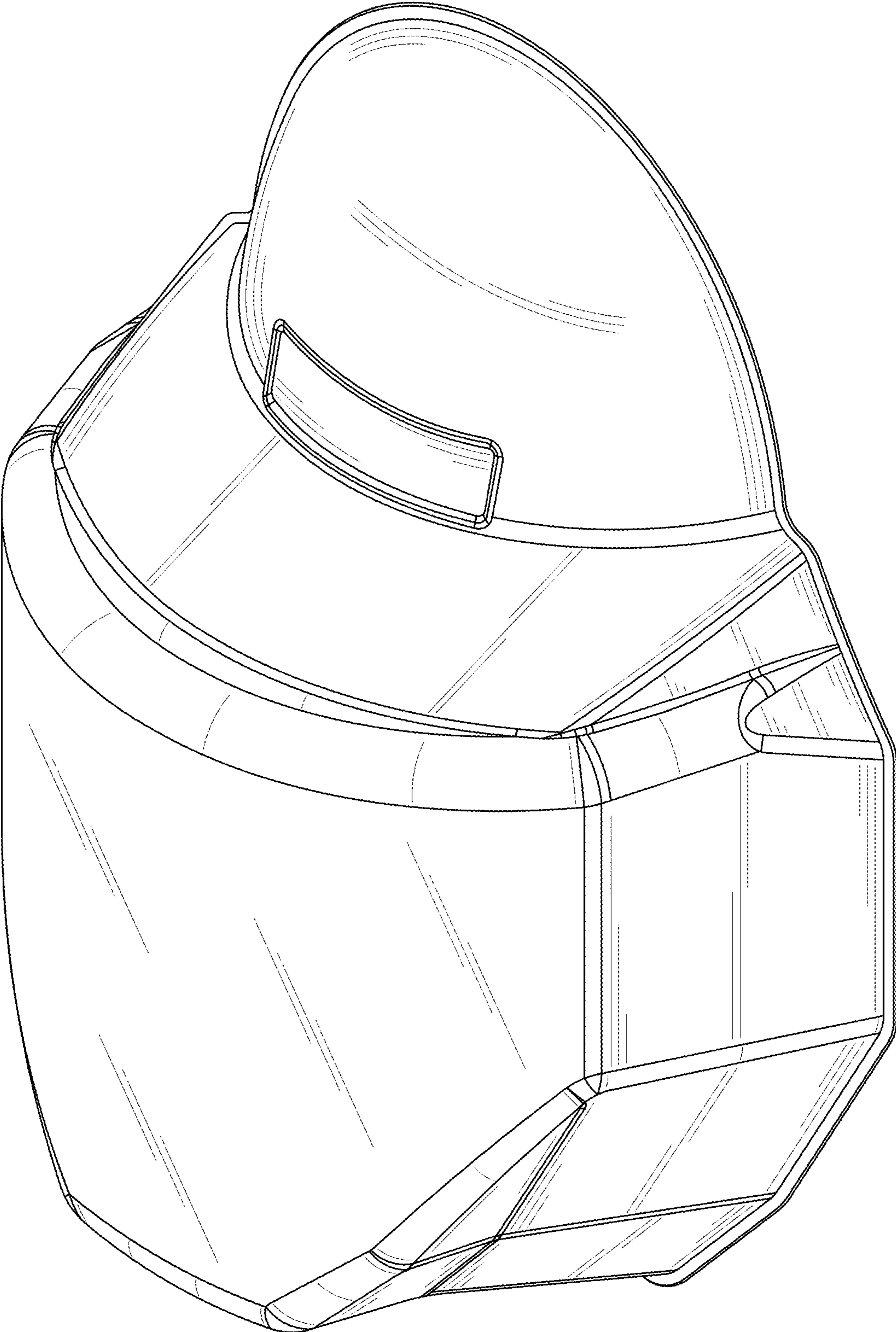


FIG. 6

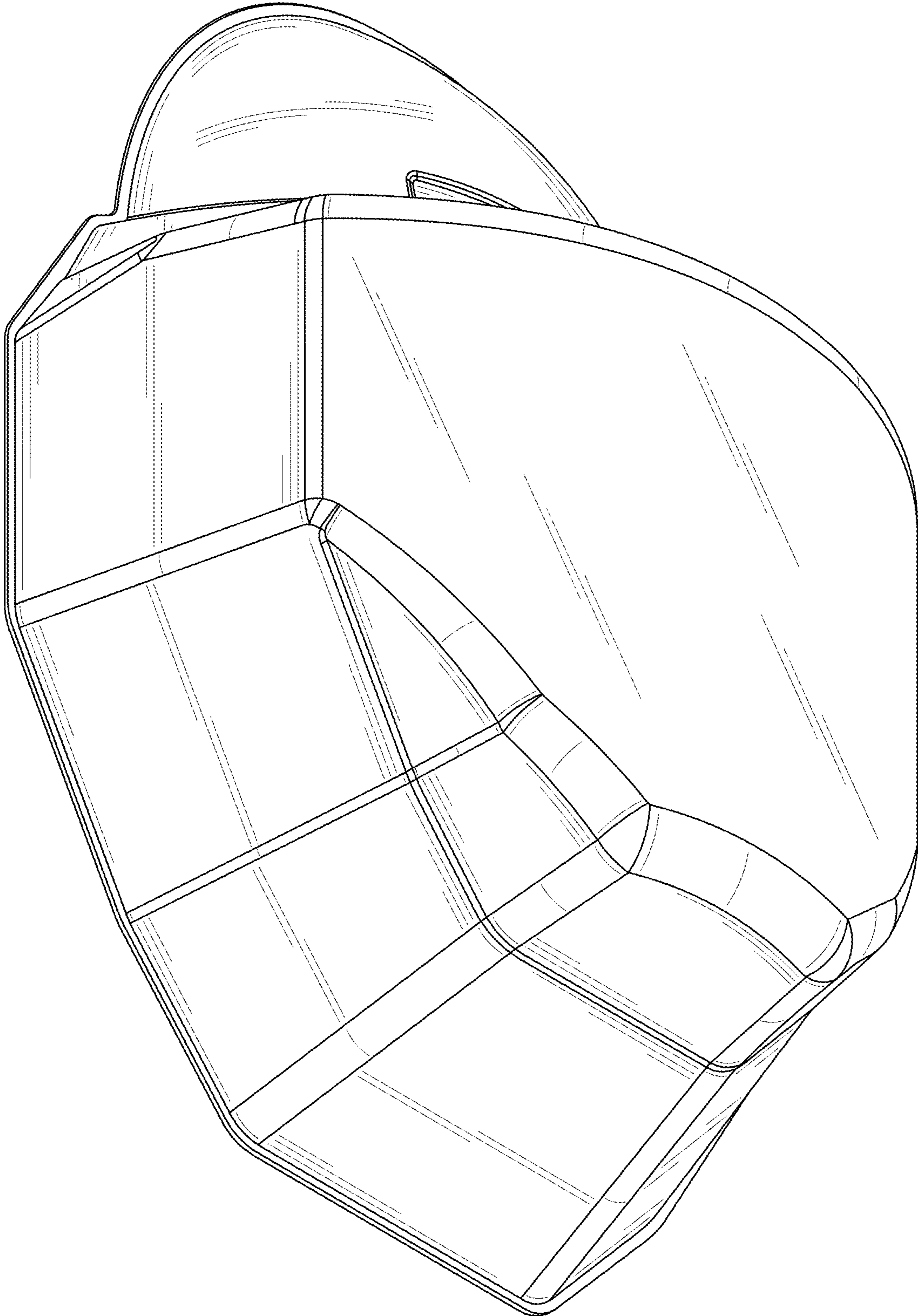


FIG. 7