



US00D929042S

(12) **United States Design Patent** (10) **Patent No.:** **US D929,042 S**
Lu (45) **Date of Patent:** **** Aug. 24, 2021**

(54) **NAIL POLISHER**

(71) Applicant: **SHENZHEN XPADSP TECHNOLOGY CO., LTD.**, Shenzhen (CN)

(72) Inventor: **Qing Lu**, Shenzhen (CN)

(**) Term: **15 Years**

(21) Appl. No.: **29/732,235**

(22) Filed: **Apr. 22, 2020**

(30) **Foreign Application Priority Data**

Oct. 29, 2019 (CN) 201930591458.2

(51) **LOC (13) Cl.** **28-03**

(52) **U.S. Cl.**
USPC **D28/58**

(58) **Field of Classification Search**
USPC D28/45, 49, 52-53, 56-62, 73, 99;
D24/133, 146-147, 214; D30/158, 199;
D8/62

CPC A45D 29/00; A45D 29/02; A45D 29/04;
A45D 29/06; A45D 29/11; A45D 29/14;
A45D 29/29; A45D 29/18; A45D 29/007;
A61B 17/54; A01K 13/00; A01K 13/001
See application file for complete search history.

(56) **References Cited**

U.S. PATENT DOCUMENTS

D266,607 S * 10/1982 Choe D28/58
D397,517 S * 8/1998 Choyee D28/59
D418,944 S * 1/2000 Choi D28/58
D511,401 S * 11/2005 Park D28/58
D553,738 S * 10/2007 Simonson D24/133
D596,357 S * 7/2009 Rosen D30/158
D600,413 S * 9/2009 Khubani D30/158
D781,496 S * 3/2017 Butler D28/58
D788,980 S * 6/2017 Yiu D28/58
D897,186 S * 9/2020 Perkins, Jr. D8/303

D909,681 S * 2/2021 Lu D28/57
D909,689 S * 2/2021 Xu D30/158
D910,937 S * 2/2021 Wei D30/158
2006/0137703 A1 * 6/2006 Kling A45D 29/05
132/73.6
2021/0045513 A1 * 2/2021 Cheng H02J 7/0045

FOREIGN PATENT DOCUMENTS

WO WO-2018224199 A1 * 12/2018 A45D 29/14

OTHER PUBLICATIONS

Nail Drill Machine, Renoj, reviewed on May 22, 2020, retrieved on Jun. 4, 2021, retrieved from the Internet URL: https://www.amazon.com/RenoJ-Portable-Electrical-Professional-Polishing/dp/B087RFHDTK/ref=cm_cr_arp_d_product_top?ie=UTF8.*

* cited by examiner

Primary Examiner — Jennifer Rivard
Assistant Examiner — Alison M Ofstun

(74) *Attorney, Agent, or Firm* — Rumit Ranjit Kanakia

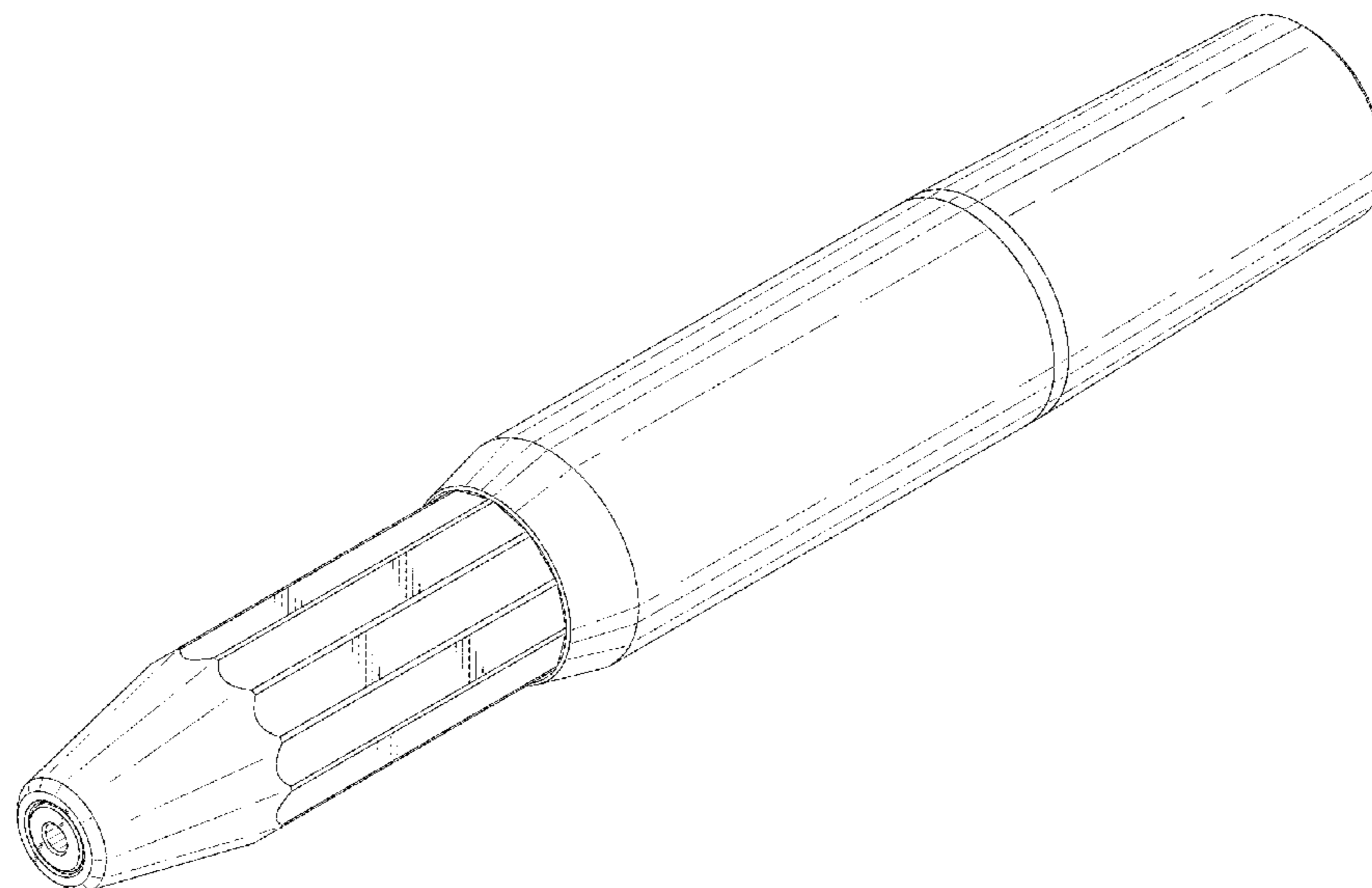
(57) **CLAIM**

The ornamental design for a nail polisher, as shown and described.

DESCRIPTION

FIG. 1 is a front elevational view of a nail polisher showing my new design;
FIG. 2 is a rear elevational view thereof;
FIG. 3 is a bottom plan view thereof;
FIG. 4 is a top plan view thereof;
FIG. 5 is a right side view thereof;
FIG. 6 is a left side view thereof;
FIG. 7 is a front perspective view thereof; and,
FIG. 8 is a rear perspective view thereof.
The broken lines illustrate portions of the article which form no part of the claimed design.

1 Claim, 5 Drawing Sheets



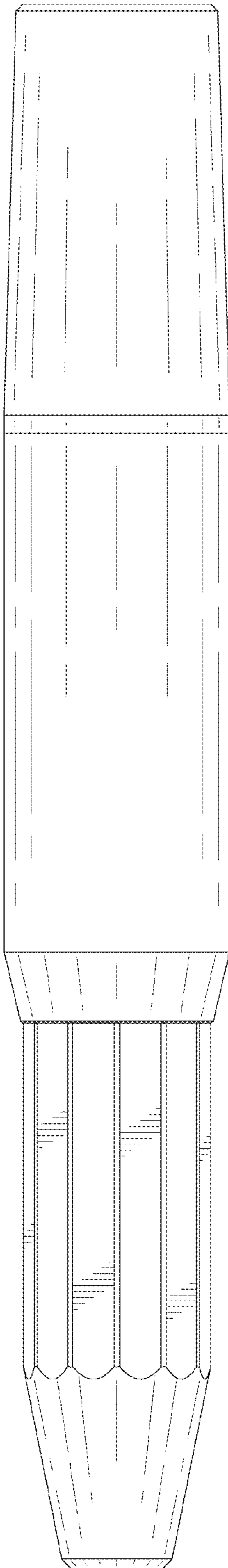


Fig. 1

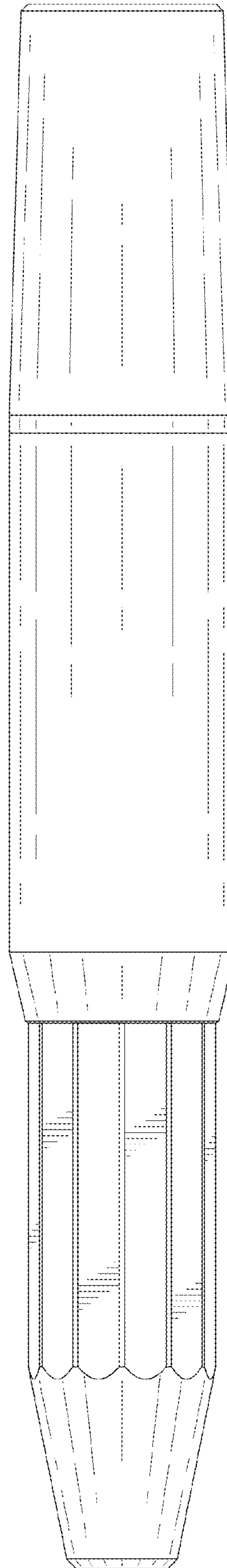


Fig. 2

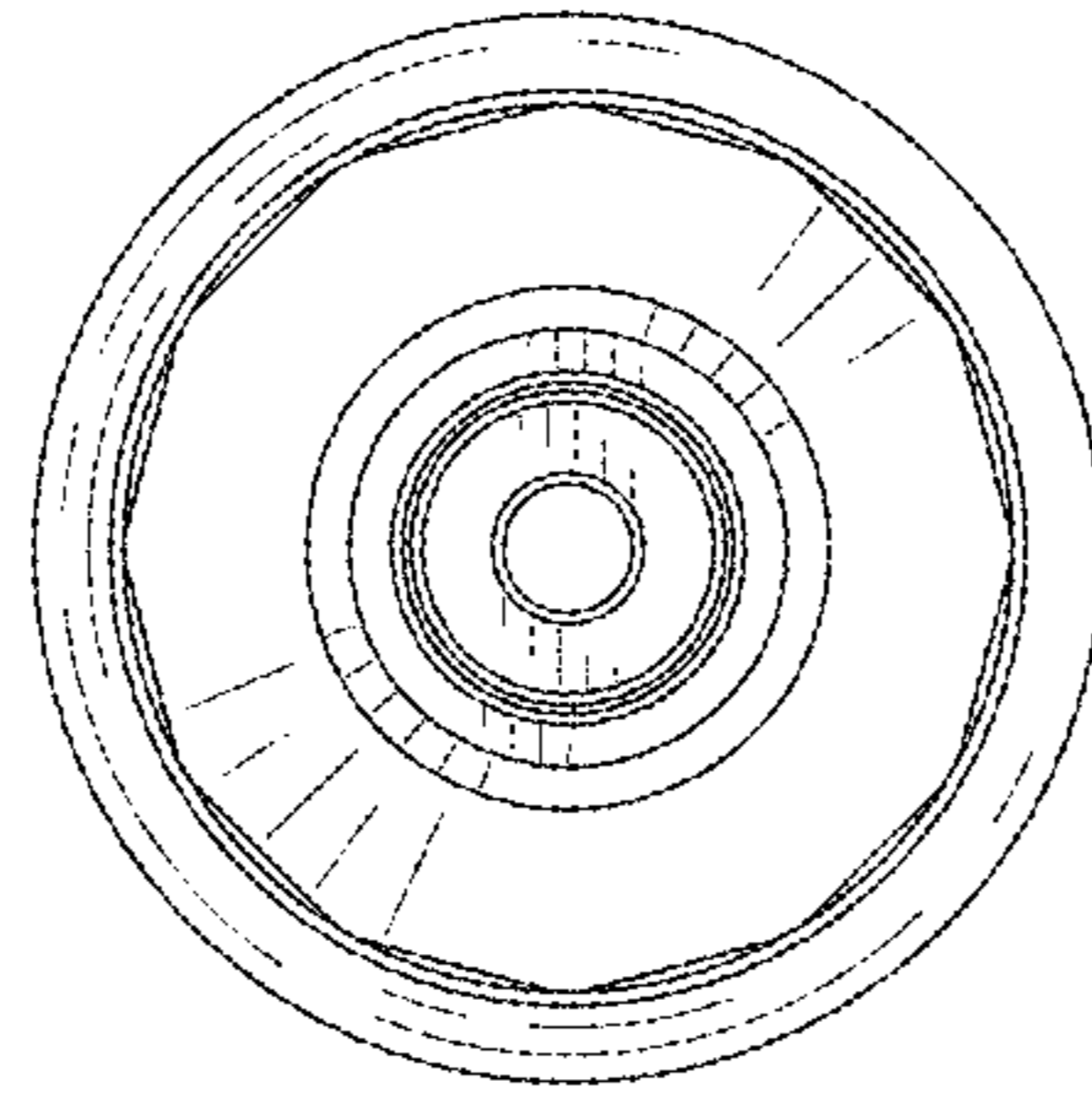


Fig.3

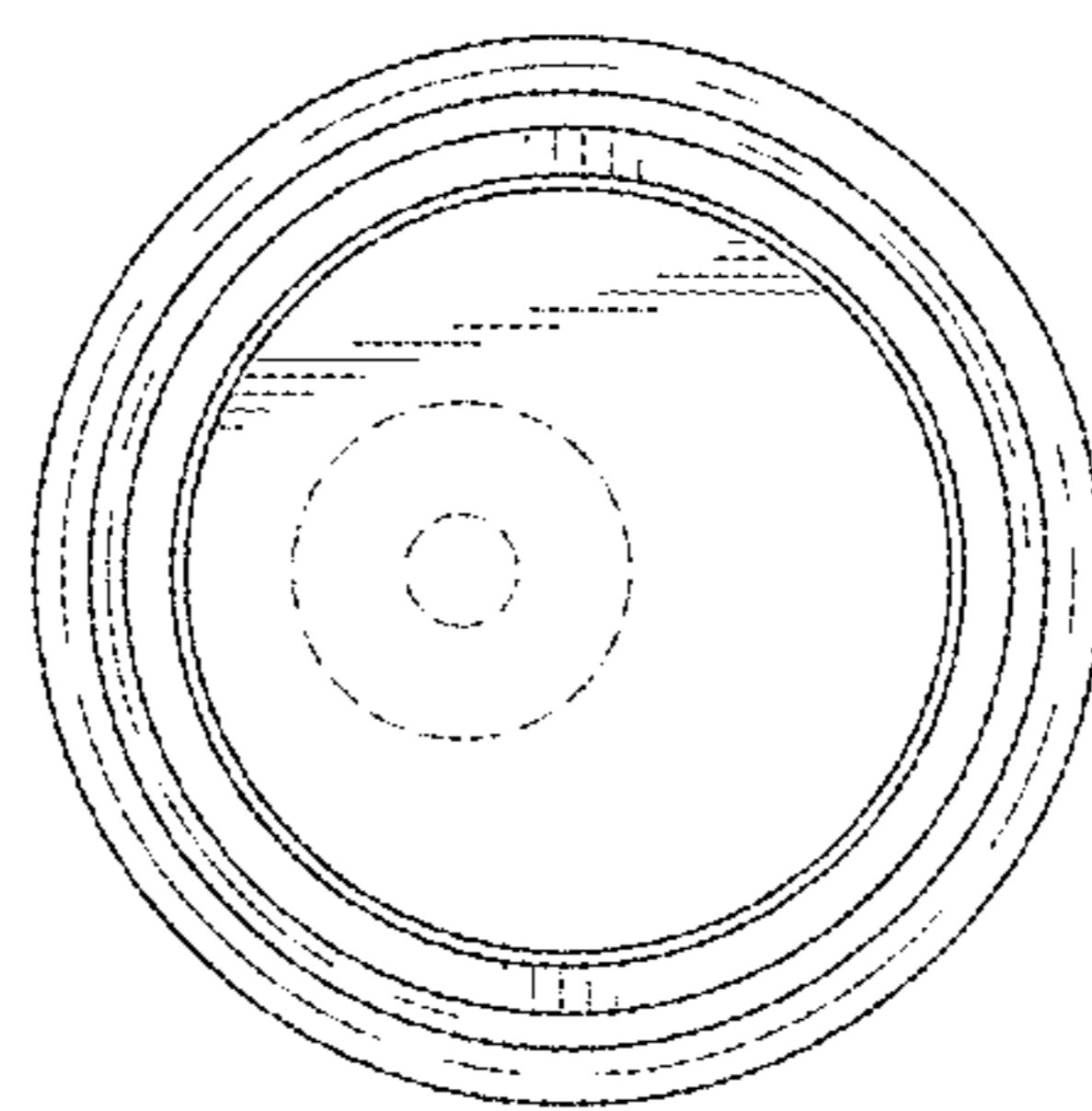


Fig.4

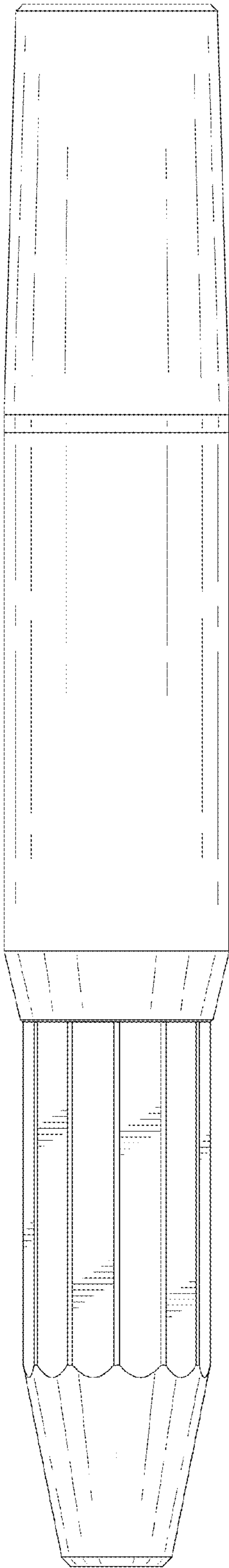


Fig. 5

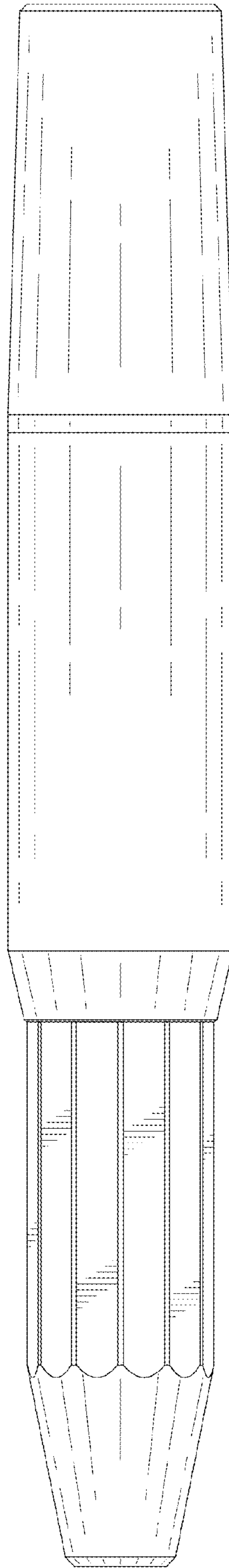


Fig. 6

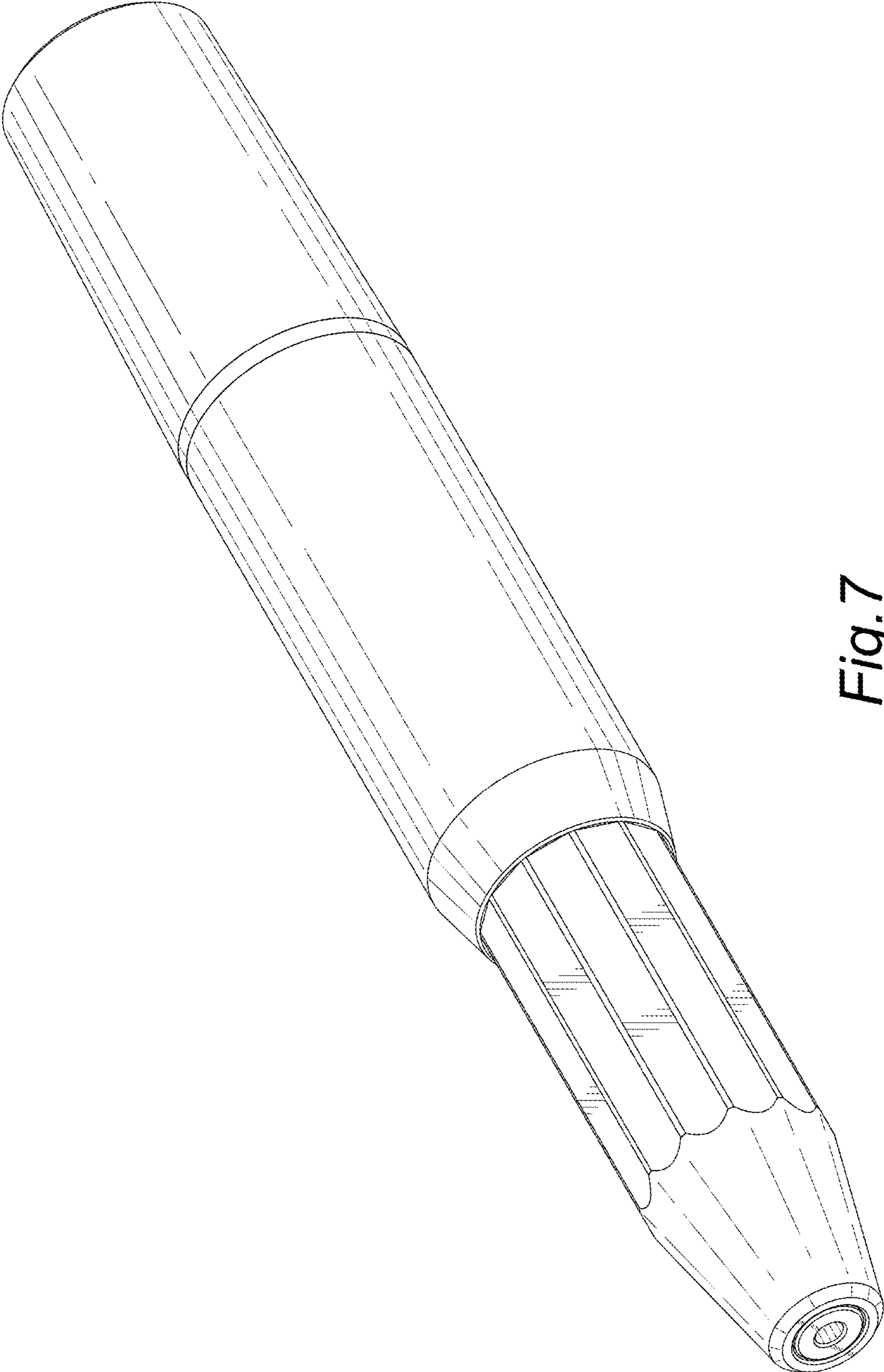


Fig. 7

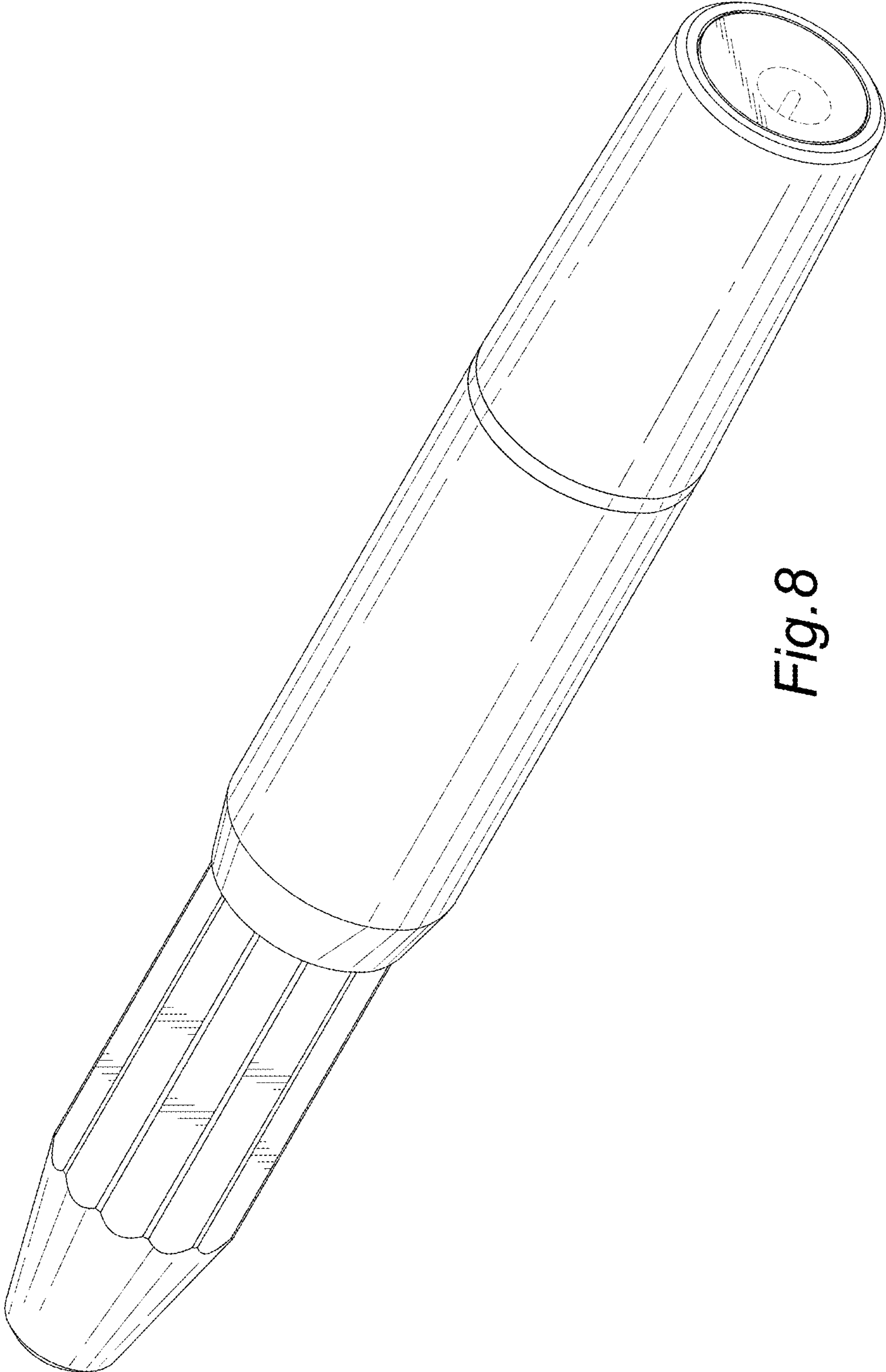


Fig. 8