



US00D929039S

(12) **United States Design Patent**
Zheng et al.

(10) **Patent No.:** **US D929,039 S**

(45) **Date of Patent:** **** Aug. 24, 2021**

(54) **AIR INTAKE CAP FOR HAIR DRYER**

(71) Applicant: **Aukey Technology Co., Ltd**, Shenzhen (CN)

(72) Inventors: **Huahui Zheng**, Shenzhen (CN); **Bo Du**, Shenzhen (CN); **Huiyue Ze**, Shenzhen (CN)

(73) Assignee: **AUKEY TECHNOLOGY CO.. LTD**, Shenzhen (CN)

(**) Term: **15 Years**

(21) Appl. No.: **29/728,478**

(22) Filed: **Mar. 19, 2020**

(51) **LOC (13) Cl.** **28-03**

(52) **U.S. Cl.**

USPC **D28/18**

(58) **Field of Classification Search**

USPC D28/12-19; D8/29.1

CPC A45D 20/00; A45D 20/08; A45D 20/10;

A45D 20/12; A45D 20/122; A45D

20/124; A45D 2020/128

See application file for complete search history.

(56) **References Cited**

U.S. PATENT DOCUMENTS

5,490,336 A * 2/1996 Smick A45D 20/12
34/82

D384,772 S * 10/1997 Kling D28/18

D648,071 S * 11/2011 Speh D28/13

D652,166 S * 1/2012 Speh D28/13

D729,449 S * 5/2015 Sayers D28/18

D775,417 S * 12/2016 Cho D28/13

D860,533 S * 9/2019 Kang D28/18

D894,484 S * 8/2020 Huang D28/13

D906,590 S * 12/2020 Kang D28/18

D909,676 S * 2/2021 Santos D28/13

* cited by examiner

Primary Examiner — Zenia I Bennett

(57) **CLAIM**

The ornamental design for an air intake cap for hair dryer, as shown and described.

DESCRIPTION

FIG. 1 is a front perspective view of an air intake cap for hair dryer showing our new design;

FIG. 2 is a rear perspective view thereof;

FIG. 3 is a front elevational view thereof;

FIG. 4 is a rear elevational view thereof;

FIG. 5 is a left side view thereof;

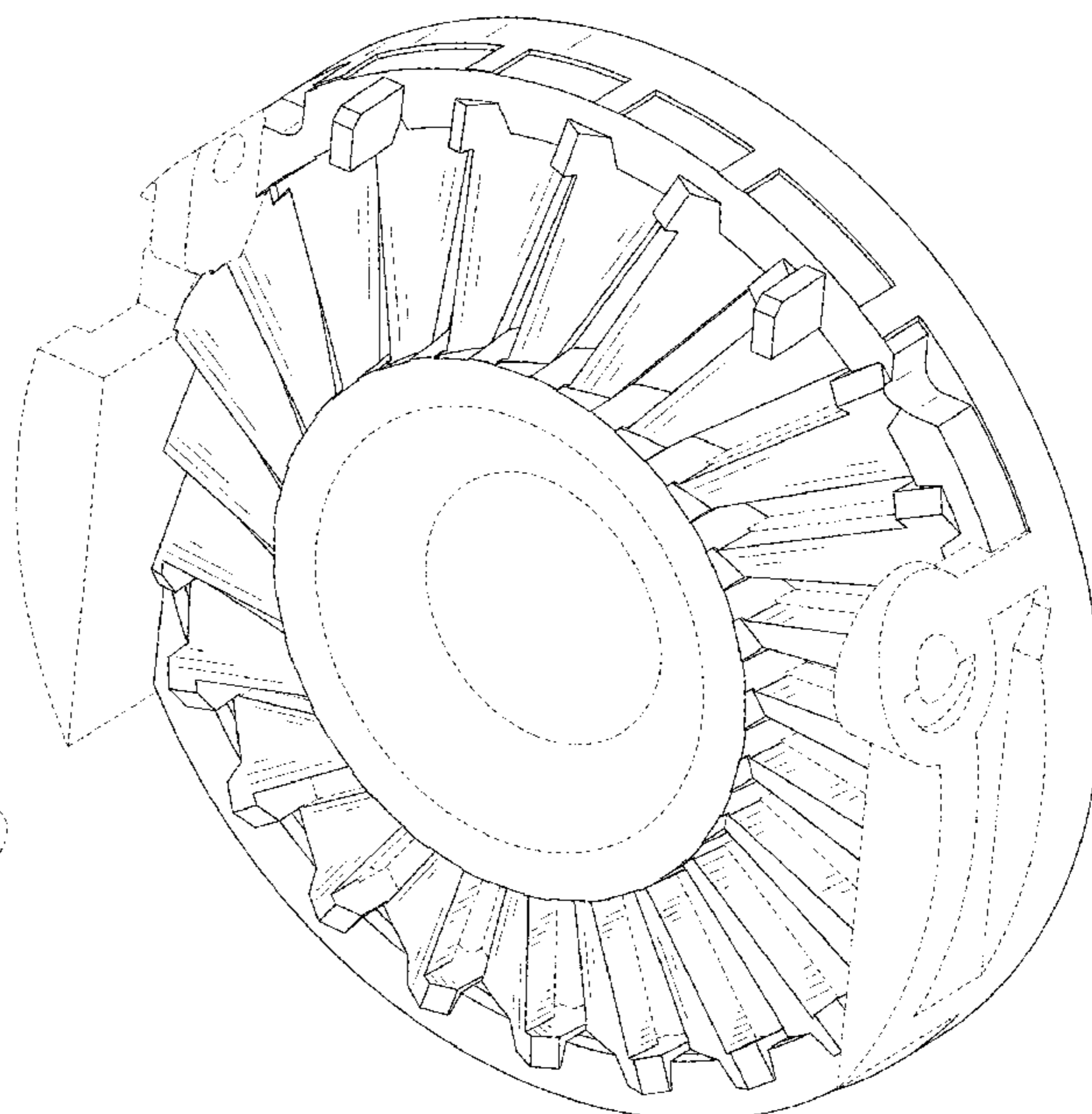
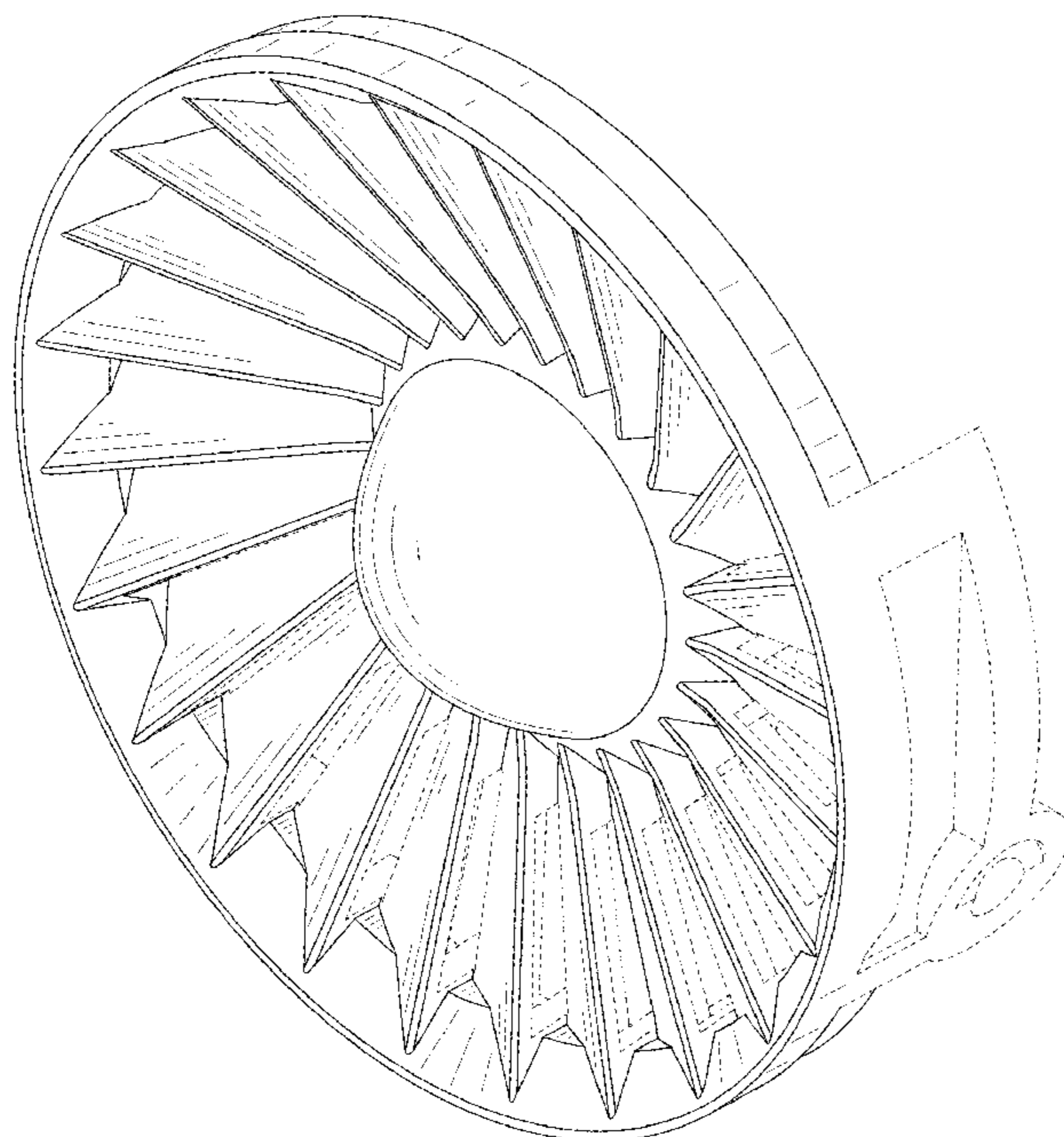
FIG. 6 is a right side view thereof;

FIG. 7 is a top plan view thereof; and,

FIG. 8 is a bottom plan view thereof.

The broken lines in the drawings illustrate the portions of the air intake cap for hair dryer which form no part of the claimed design.

1 Claim, 8 Drawing Sheets



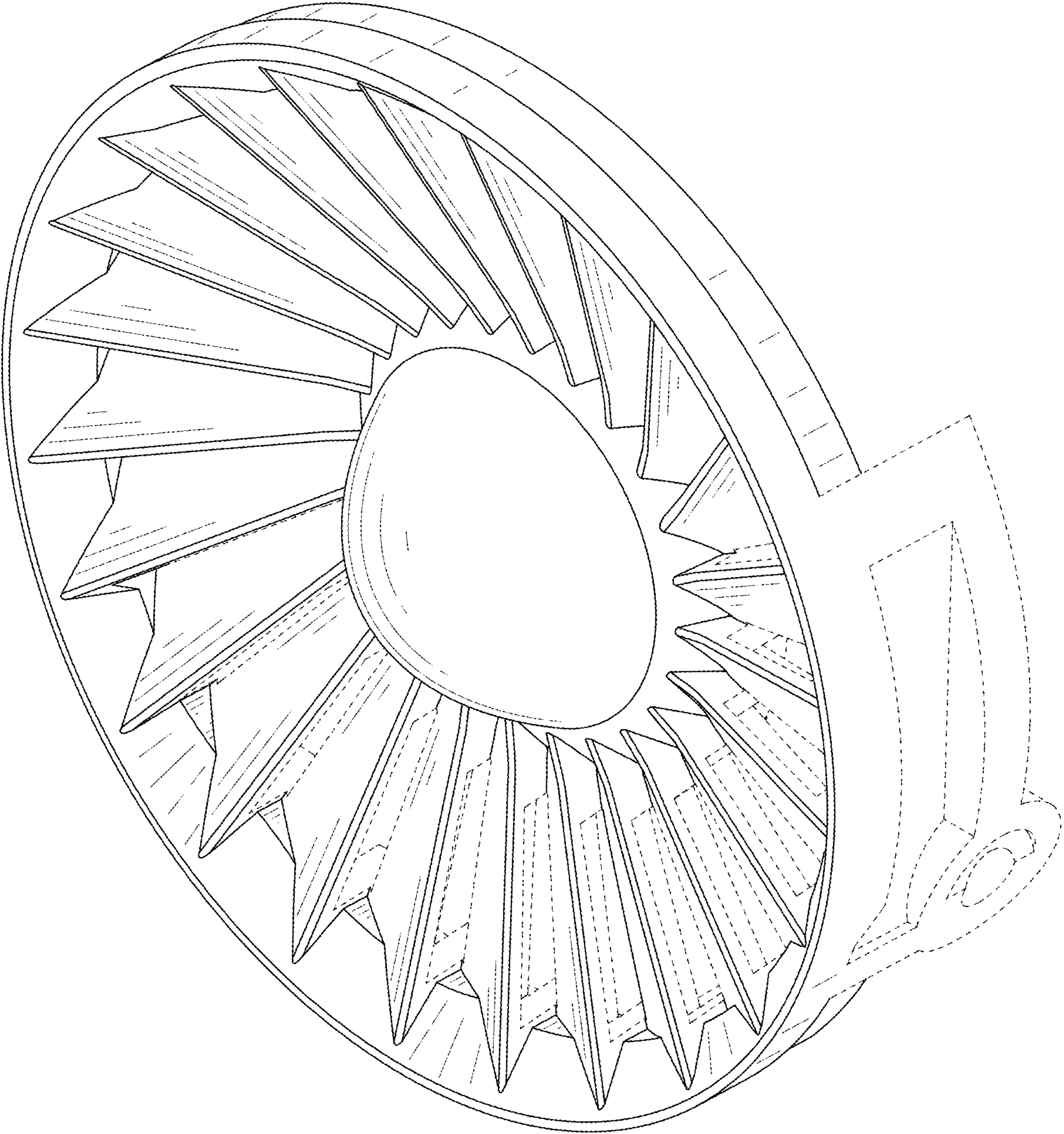


FIG. 1

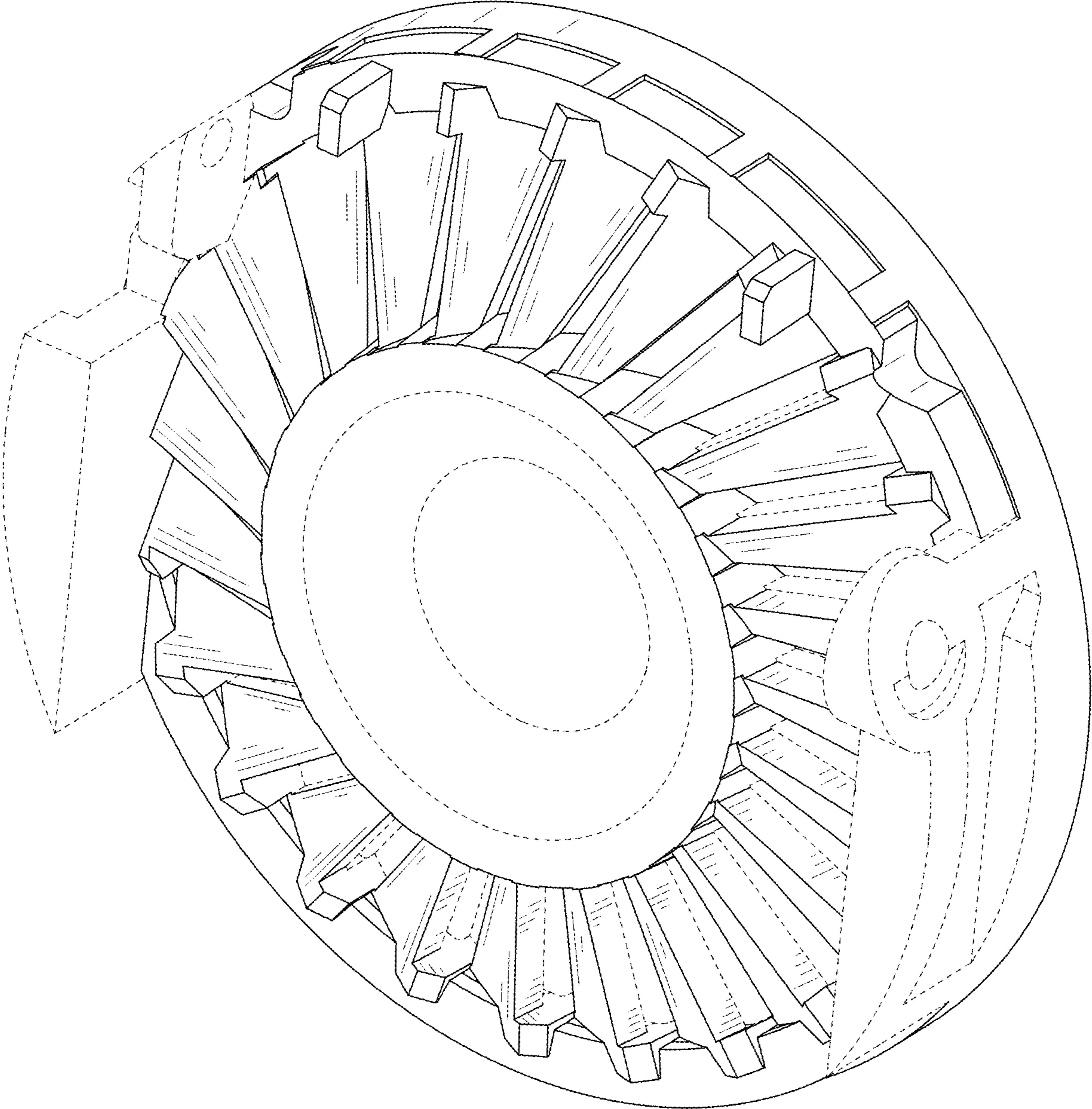


FIG. 2

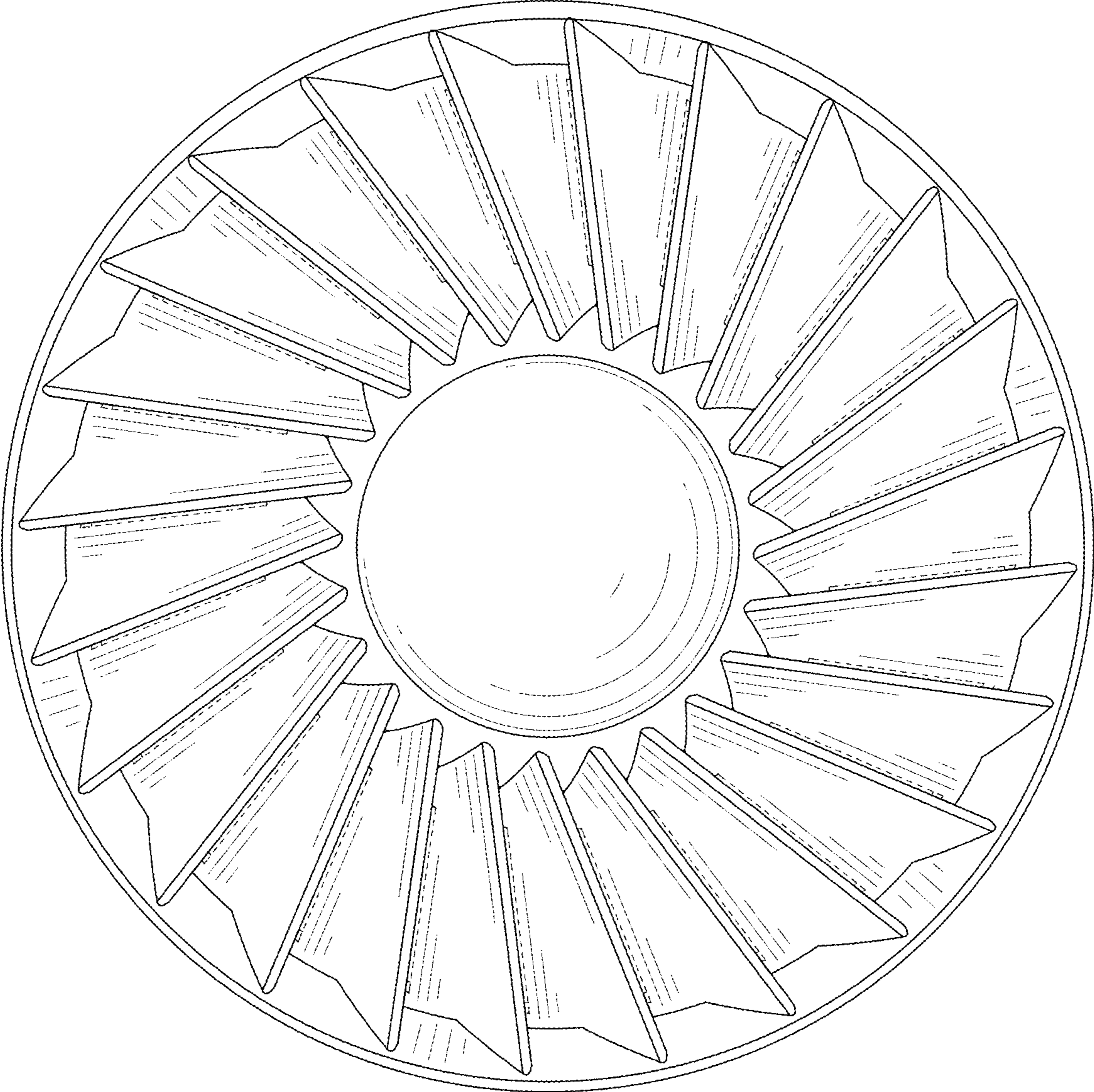


FIG. 3

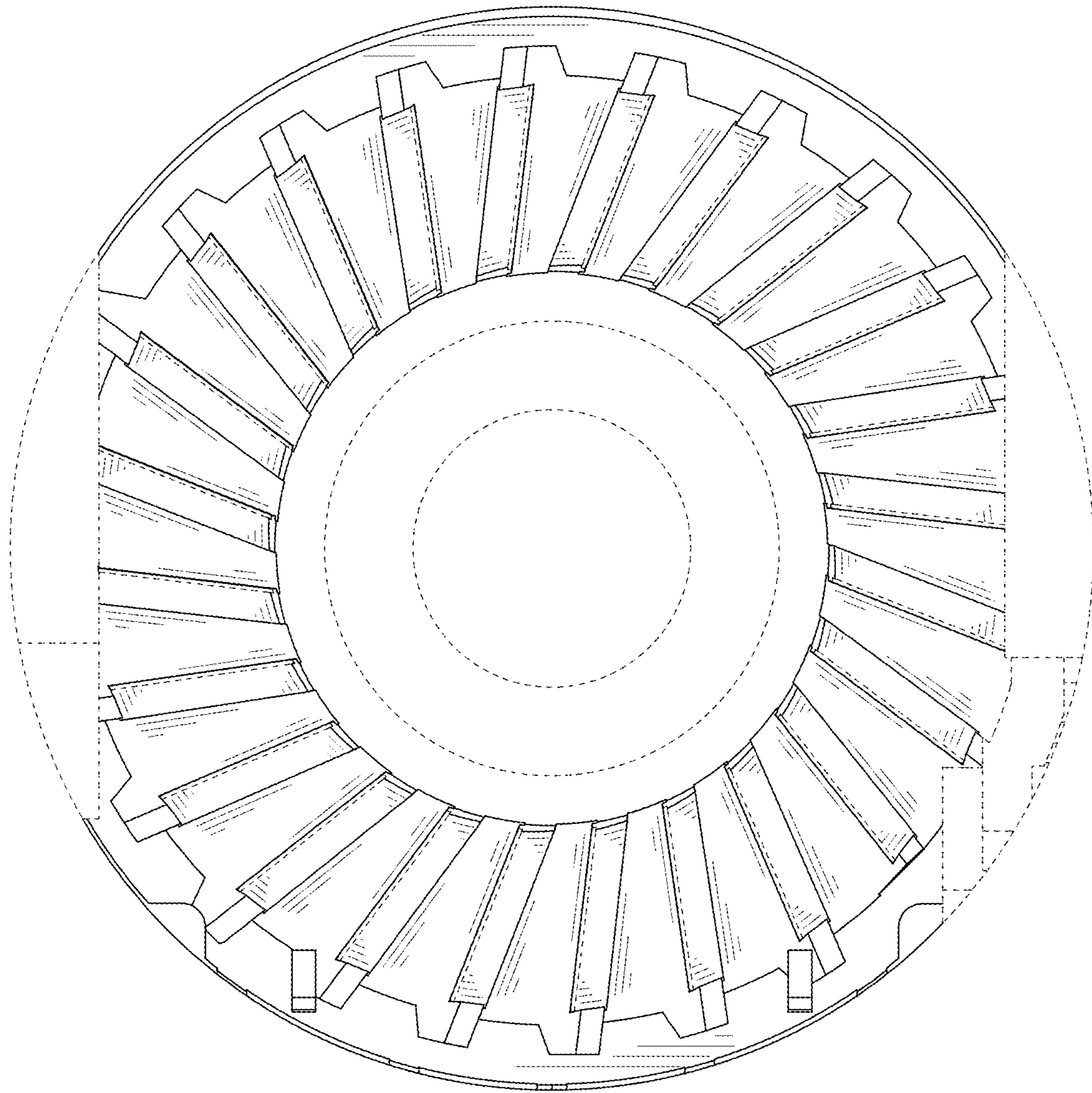


FIG. 4

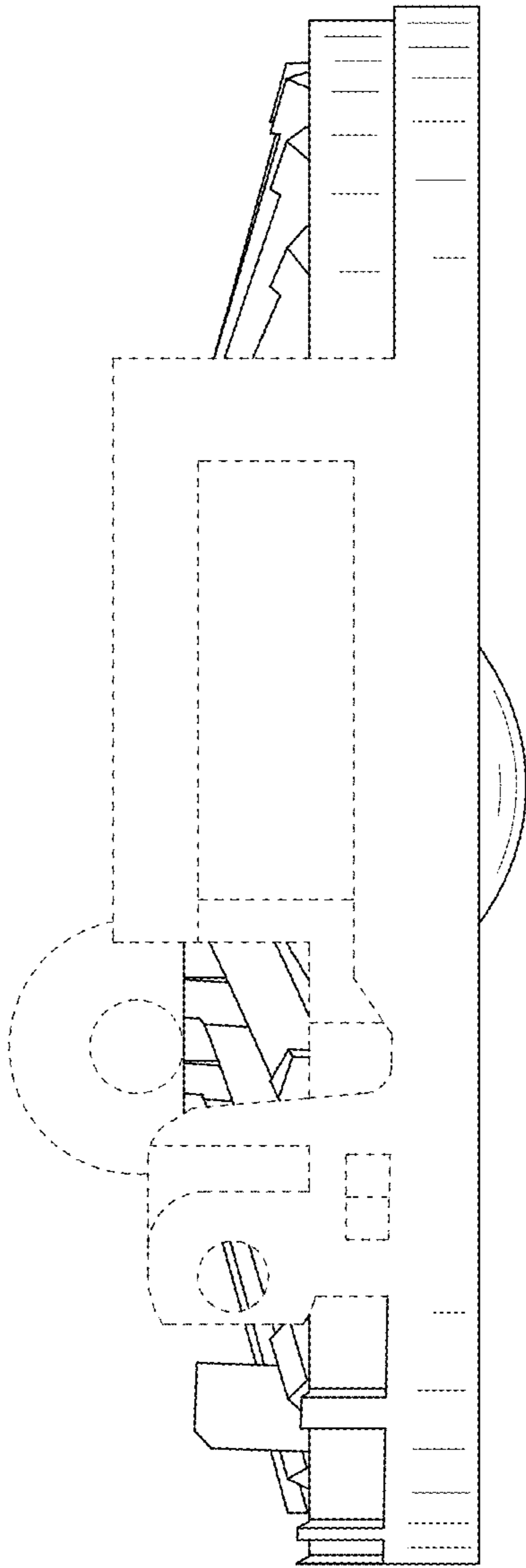


FIG. 5

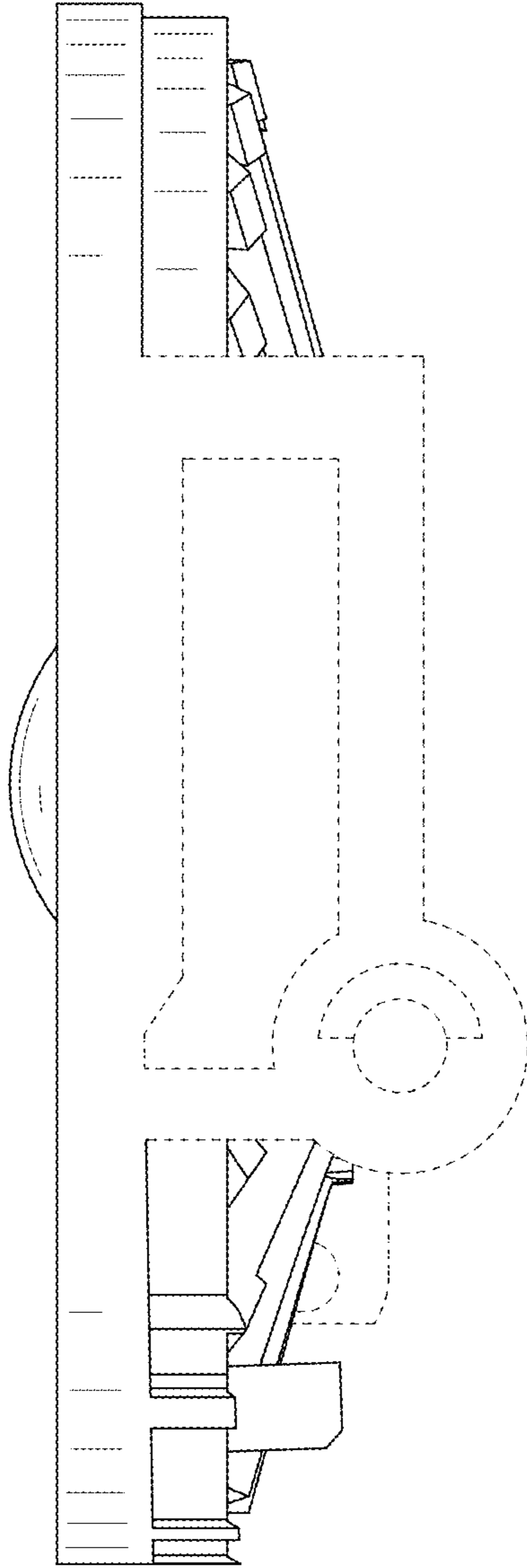


FIG. 6

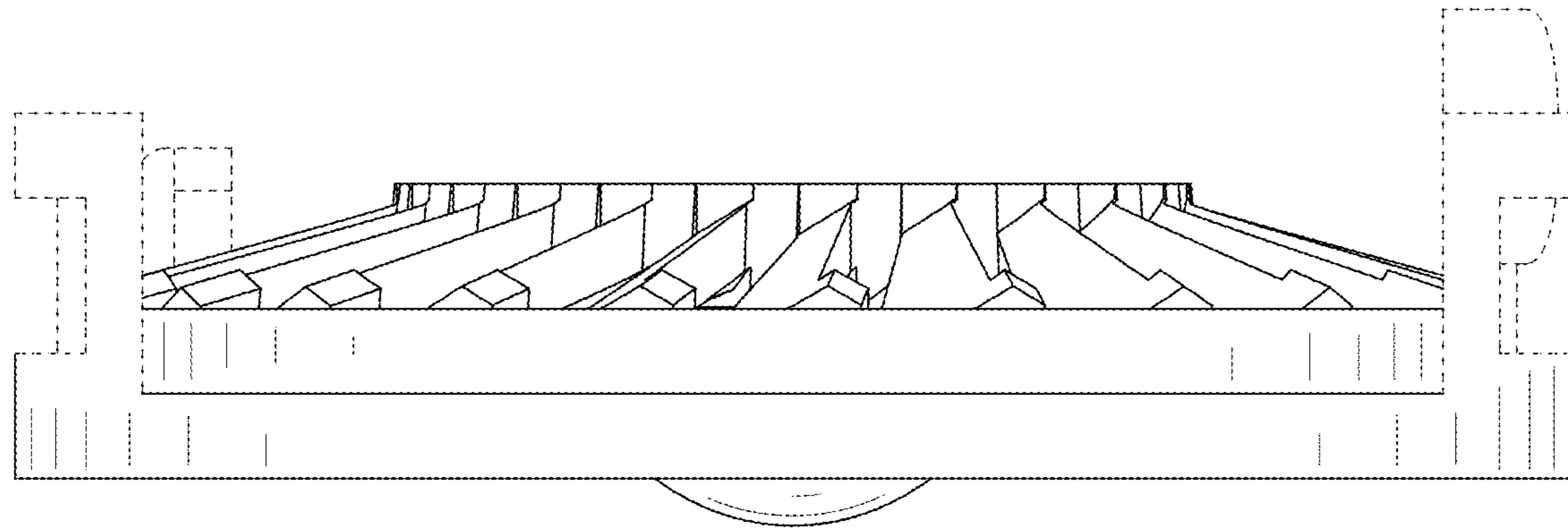


FIG. 7

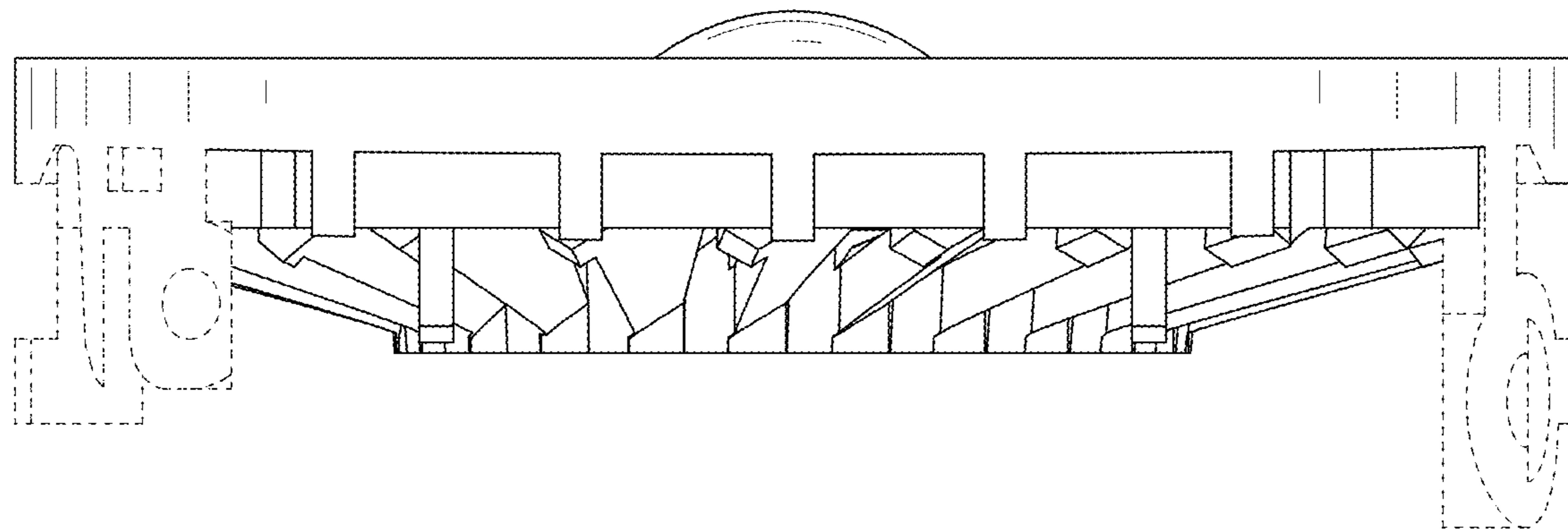


FIG. 8