



US00D929038S

(12) **United States Design Patent** (10) **Patent No.:** **US D929,038 S**
Shin et al. (45) **Date of Patent:** **** Aug. 24, 2021**

(54) **HAIRDRYER DIFFUSER HEAD**
(71) Applicant: **LG ELECTRONICS INC.**, Seoul (KR)
(72) Inventors: **Daekee Shin**, Seoul (KR); **Sunjung Park**, Seoul (KR); **Hophil Lee**, Seoul (KR)
(73) Assignee: **LG ELECTRONICS INC.**, Seoul (KR)
(**) Term: **15 Years**
(21) Appl. No.: **29/716,008**
(22) Filed: **Dec. 5, 2019**

(30) **Foreign Application Priority Data**
Jun. 10, 2019 (WO) 84340
(51) **LOC (13) Cl.** **28-03**
(52) **U.S. Cl.**
USPC **D28/18**
(58) **Field of Classification Search**
USPC D8/29.1; D28/12-19; D23/223, 356, D23/358, 360; D32/17-18, 31-34
CPC A45D 20/00; A45D 20/10; A45D 20/12; A45D 20/18
See application file for complete search history.

(56) **References Cited**
U.S. PATENT DOCUMENTS
D775,418 S * 12/2016 Stephens D28/18
D782,734 S * 3/2017 Sutter D28/18
D785,240 S * 4/2017 Smith D28/18
D785,241 S * 4/2017 Stephens D28/18
D798,502 S * 9/2017 Smith D28/18
D811,009 S * 2/2018 Smith D28/18
D867,658 S * 11/2019 Huang D28/13
D869,763 S * 12/2019 Atkinson D28/19

D872,935 S * 1/2020 Kang D28/18
D877,979 S * 3/2020 Huang D28/13
D888,333 S * 6/2020 Shigeru D28/13
(Continued)

FOREIGN PATENT DOCUMENTS

KR 3008628680001 * 1/2016

OTHER PUBLICATIONS

SHRATE Ionic Hair Dryer [online], [site visited Apr. 12, 2021]. Available from internet, URL: <<https://www.amazon.com/SHRATE-Professional-Negative-Powerful-Temperature/dp/B08621GBMF/>> (Year: 2020).*

(Continued)

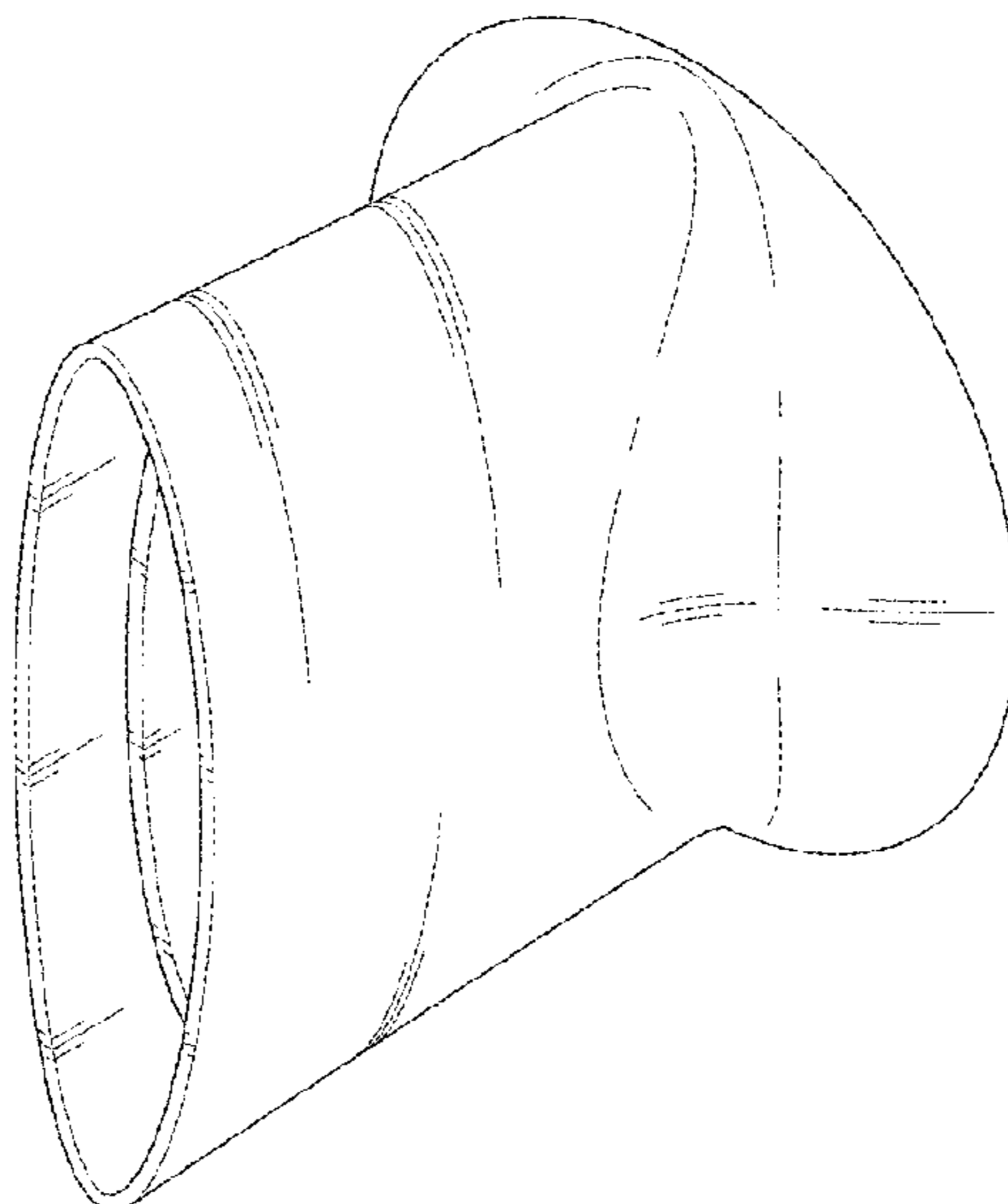
Primary Examiner — Kevin K Rudzinski
Assistant Examiner — Xavier Marti-Santos
(74) *Attorney, Agent, or Firm* — Birch, Stewart, Kolasch & Birch LLP

(57) **CLAIM**
The ornamental design for a hairdryer diffuser head, as shown and described.

DESCRIPTION

FIG. 1 is a front perspective view of the hairdryer diffuser head showing our new design;
FIG. 2 is a front view thereof;
FIG. 3 is a back view thereof;
FIG. 4 is a left view thereof where the right view is a mirror image;
FIG. 5 is a top view thereof where the bottom view is a mirror image;
FIG. 6 is a back perspective view thereof; and,
FIG. 7 is another perspective view thereof shown in condition of use with environment.
The portions of FIG. 7 drawn in broken lines show environmental structure only and form no part of the claimed design.

1 Claim, 7 Drawing Sheets



(56)

References Cited

U.S. PATENT DOCUMENTS

2005/0198854 A1* 9/2005 Hobe A45D 20/12
34/96
2016/0206077 A1* 7/2016 Stephens B05B 1/02

OTHER PUBLICATIONS

Panasonic EH-NA65-K Nanoe Dryer [online], [site visited Apr. 13, 2021]. Available from internet, URL: <<https://www.amazon.com/Panasonic-EH-NA65-K-Professional-Quality-attachments-including-dp/B00JH2C3DE/>> (Year: 2014).*

* cited by examiner

FIG. 1

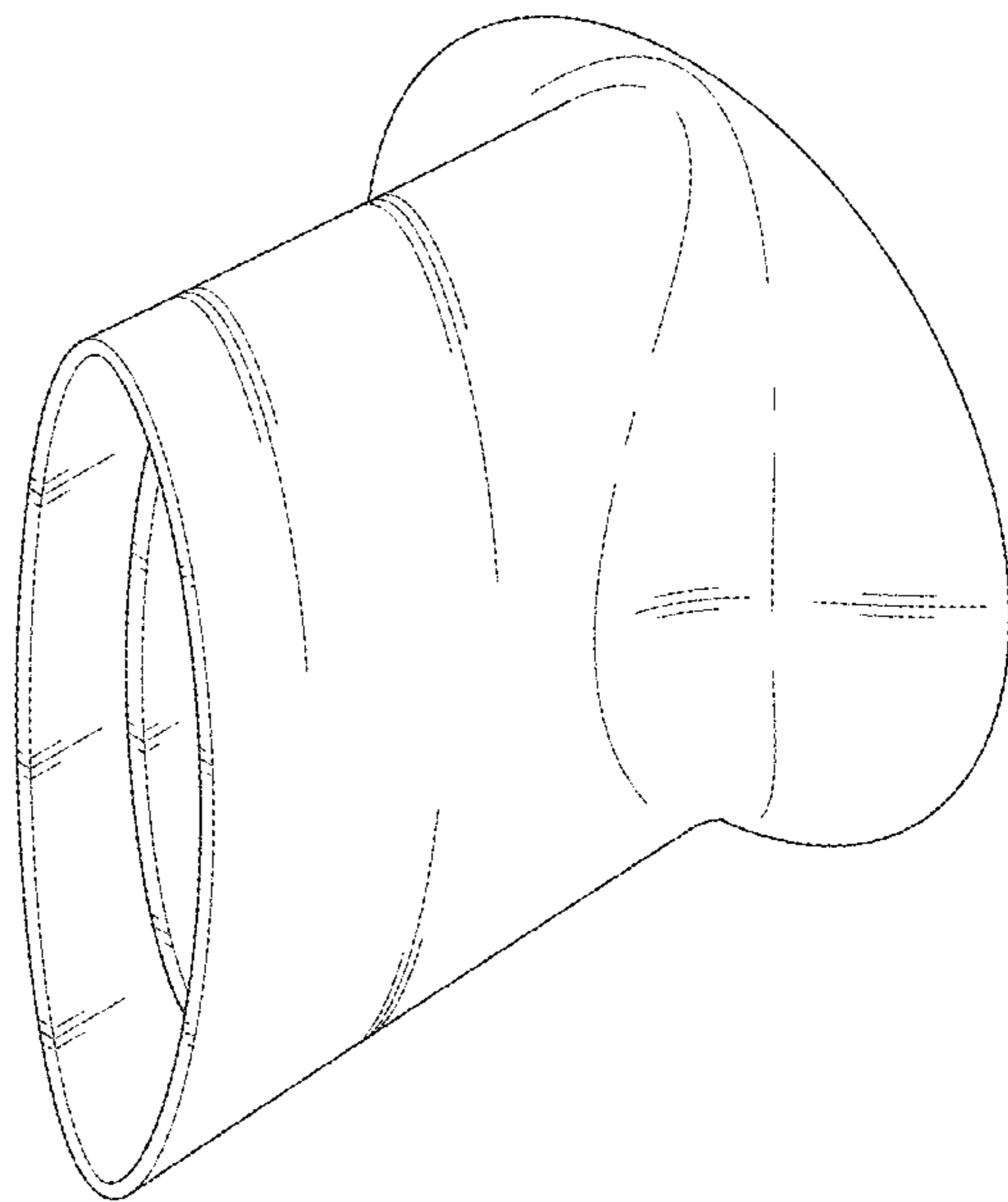


FIG. 2

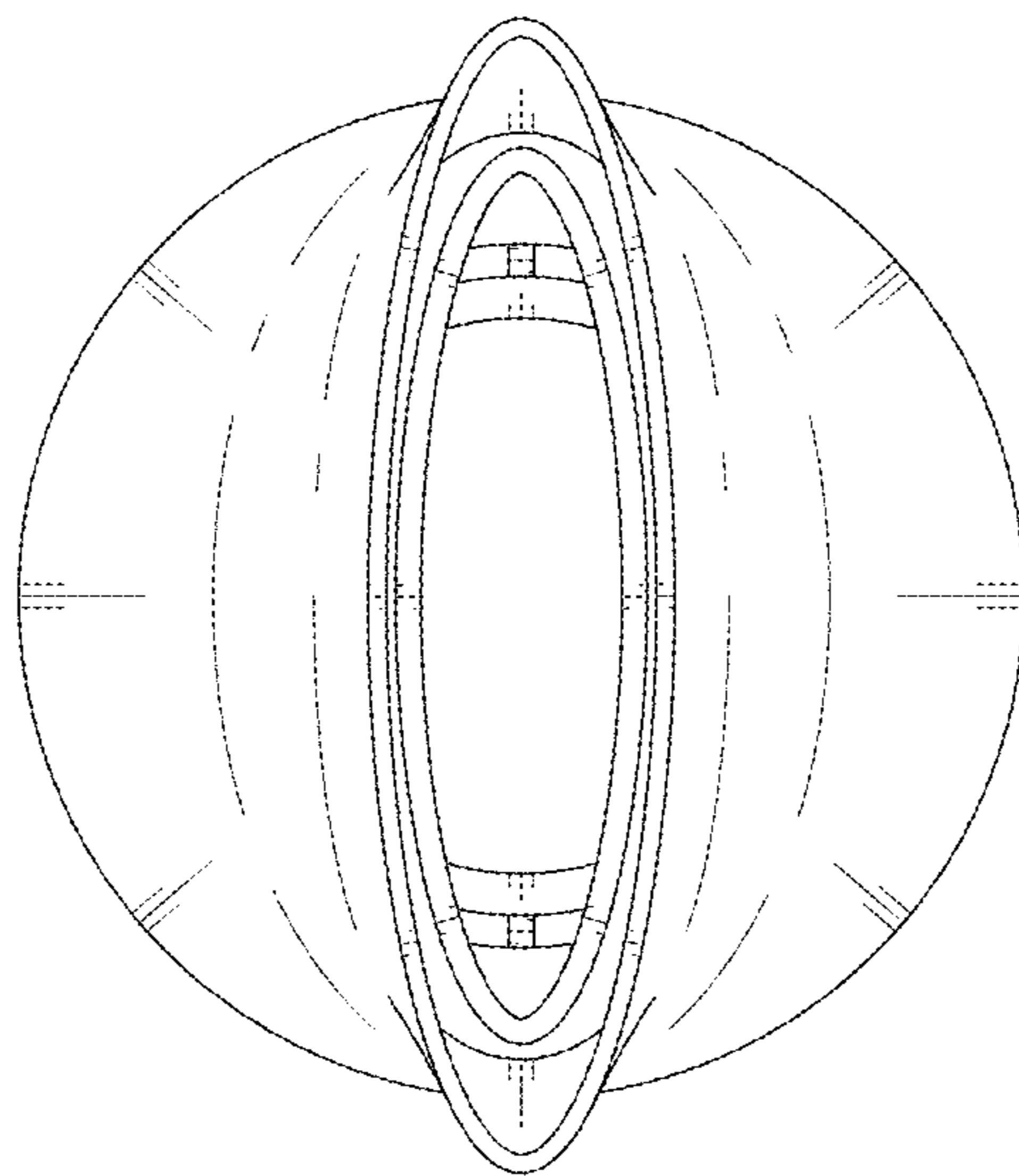


FIG. 3

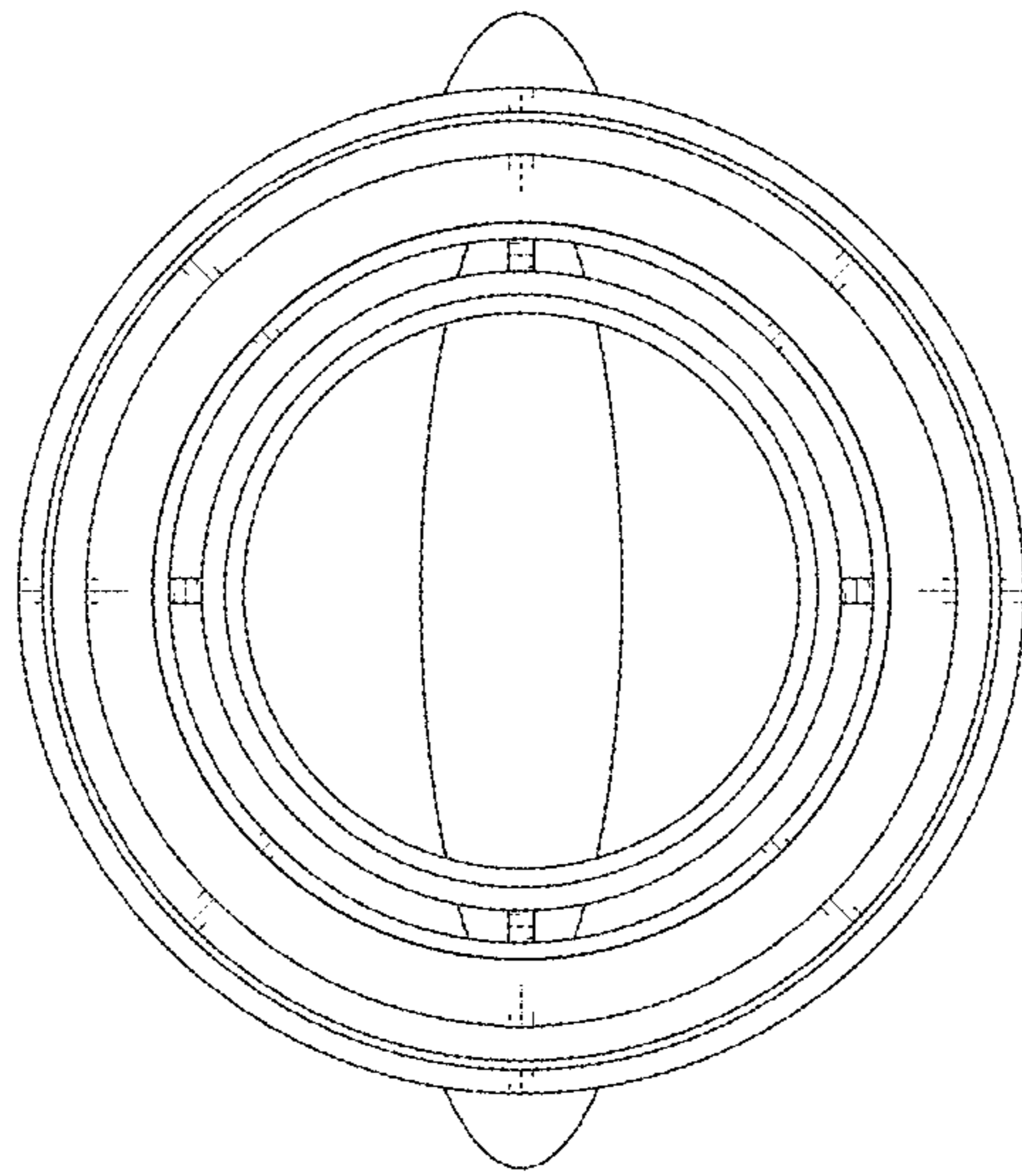


FIG. 4

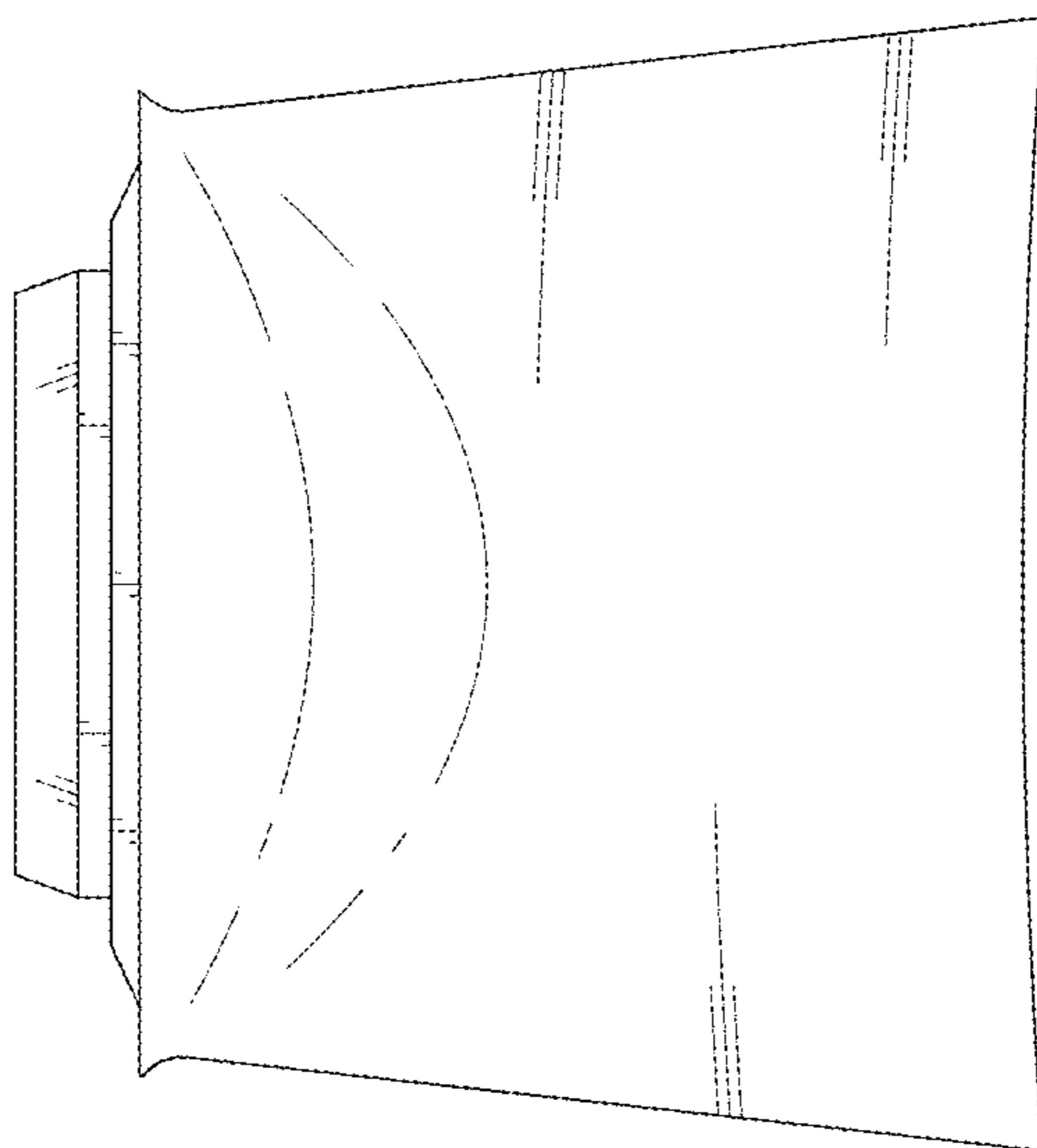


FIG. 5

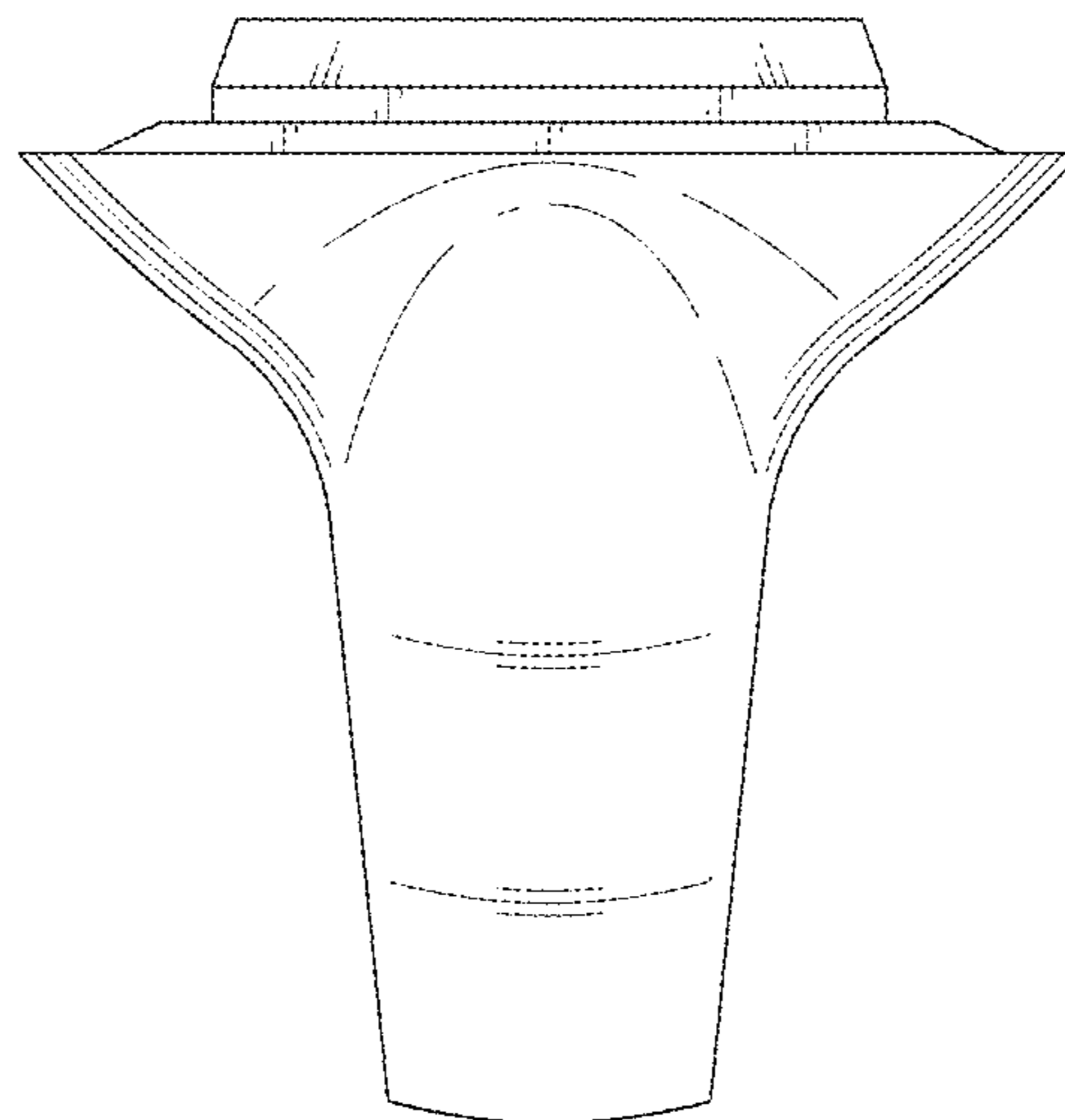


FIG. 6

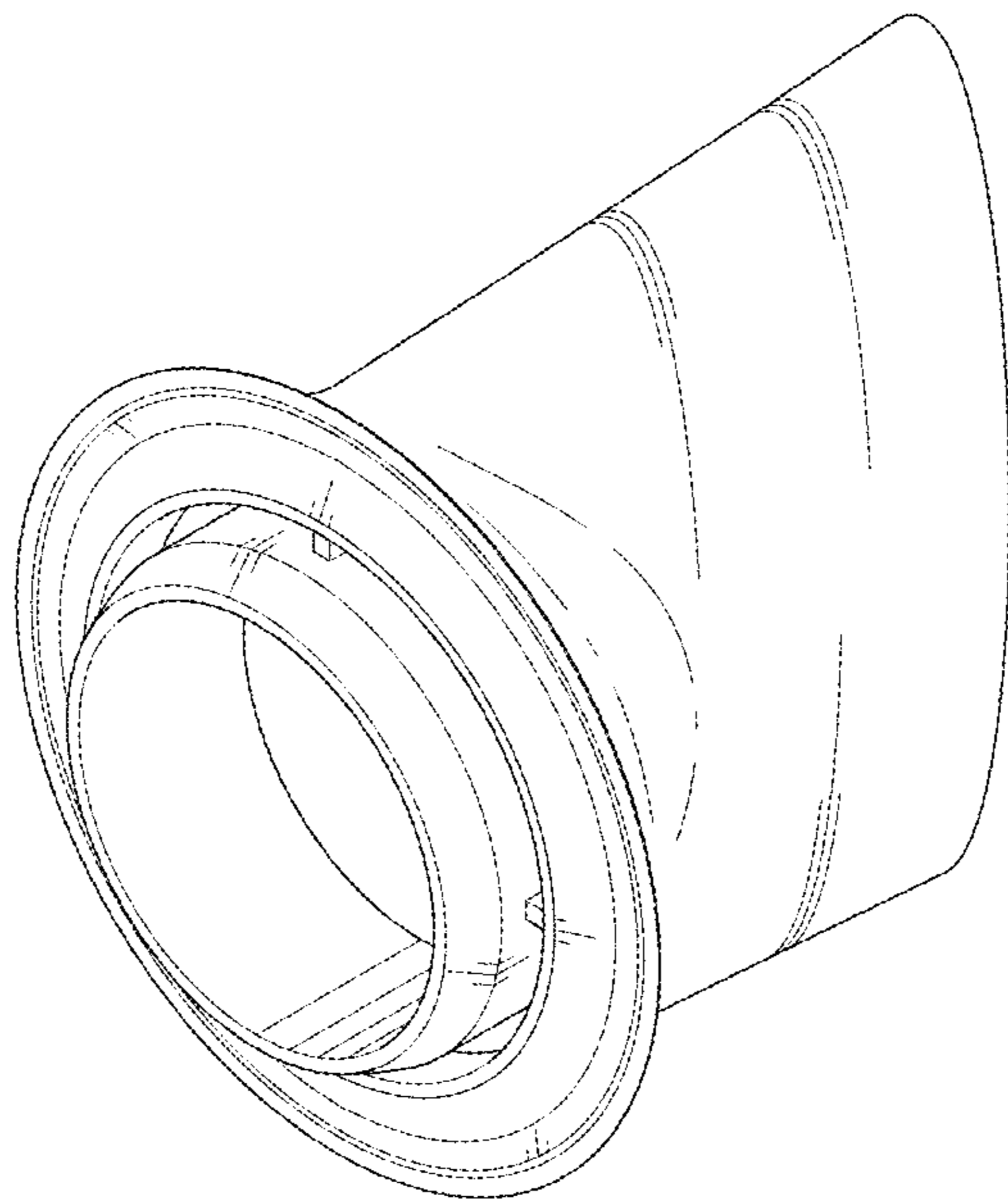


FIG. 7

