

US00D929027S

(12) **United States Design Patent**  
**Zhu**

(10) **Patent No.:** **US D929,027 S**

(45) **Date of Patent:** **\*\* Aug. 24, 2021**

(54) **DESK LAMP**

(71) Applicant: **Boli Zhu**, Zhongshan (CN)

(72) Inventor: **Boli Zhu**, Zhongshan (CN)

(\*\*) Term: **15 Years**

(21) Appl. No.: **29/725,533**

(22) Filed: **Feb. 25, 2020**

(51) **LOC (13) Cl.** ..... **26-03**

(52) **U.S. Cl.**  
USPC ..... **D26/107**

(58) **Field of Classification Search**  
USPC ..... D26/107, 108, 60  
CPC .... F21Y 2103/003; F21V 21/26; F21V 21/30;  
F21V 21/14; F21V 21/28; F21V 21/29  
See application file for complete search history.

(56) **References Cited**

**U.S. PATENT DOCUMENTS**

6,322,226 B1 \* 11/2001 Dickson ..... G02B 27/025  
359/802  
D709,235 S \* 7/2014 Chu ..... D26/107

D744,692 S \* 12/2015 Poulton ..... D26/107  
D773,724 S \* 12/2016 Shiening Wang ..... D26/106  
D776,336 S \* 1/2017 Ng ..... D26/107  
D855,871 S \* 8/2019 Ma ..... D26/107  
D871,648 S \* 12/2019 Tong ..... D26/107  
2018/0180254 A1 \* 6/2018 Gomi ..... F21V 7/0091

\* cited by examiner

*Primary Examiner* — Brian N. Vinson

(74) *Attorney, Agent, or Firm* — Matthias Scholl P.C.;  
Matthias Scholl

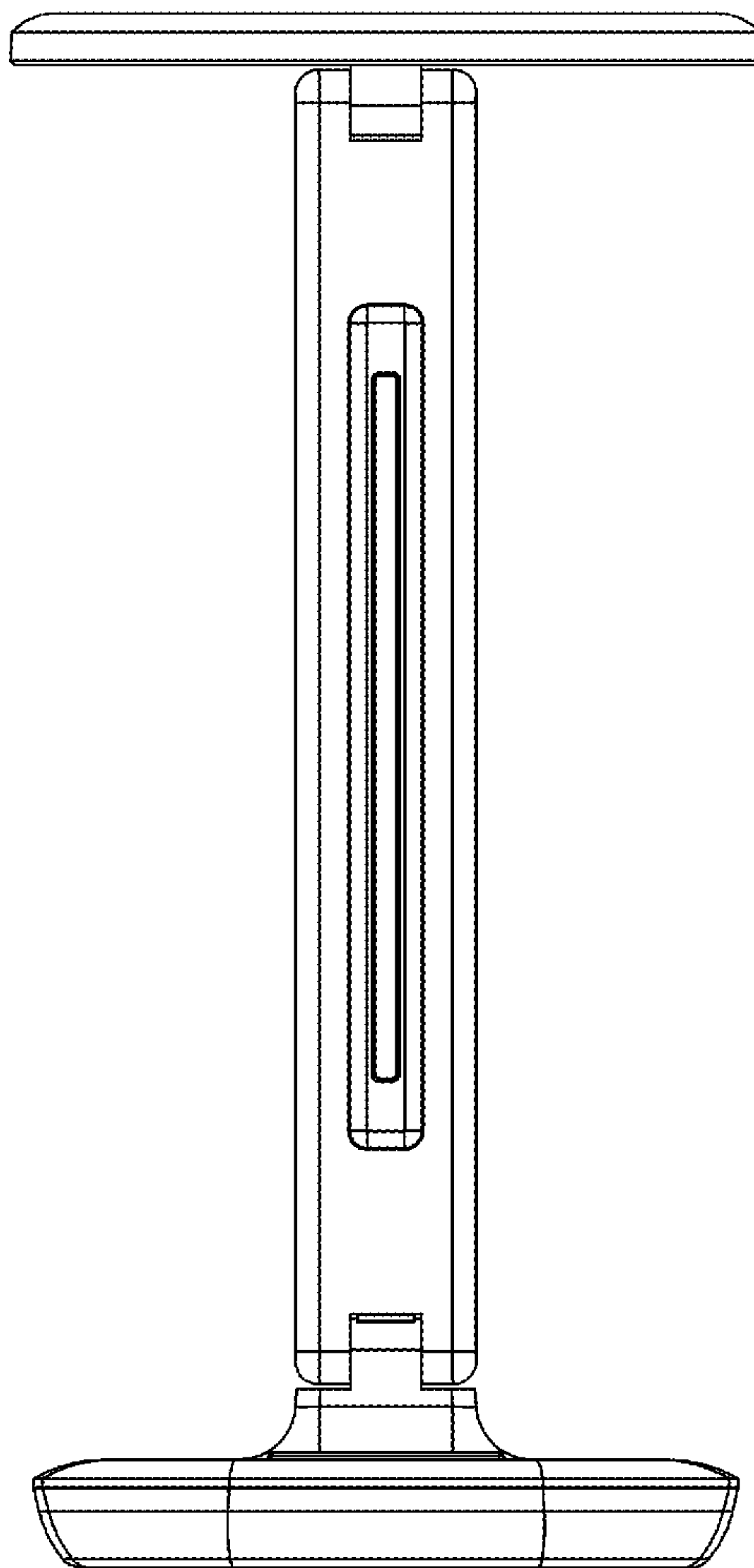
(57) **CLAIM**

The ornamental design for a desk lamp, as shown and described.

**DESCRIPTION**

FIG. 1 is a front elevation view of a desk lamp;  
FIG. 2 is a rear elevation view thereof;  
FIG. 3 is a left-side elevation view thereof;  
FIG. 4 is a right-side elevation view thereof;  
FIG. 5 is a top plan view thereof;  
FIG. 6 is a bottom plan view thereof;  
FIG. 7 is a perspective view thereof; and,  
FIG. 8 is a bottom perspective view thereof.

**1 Claim, 8 Drawing Sheets**



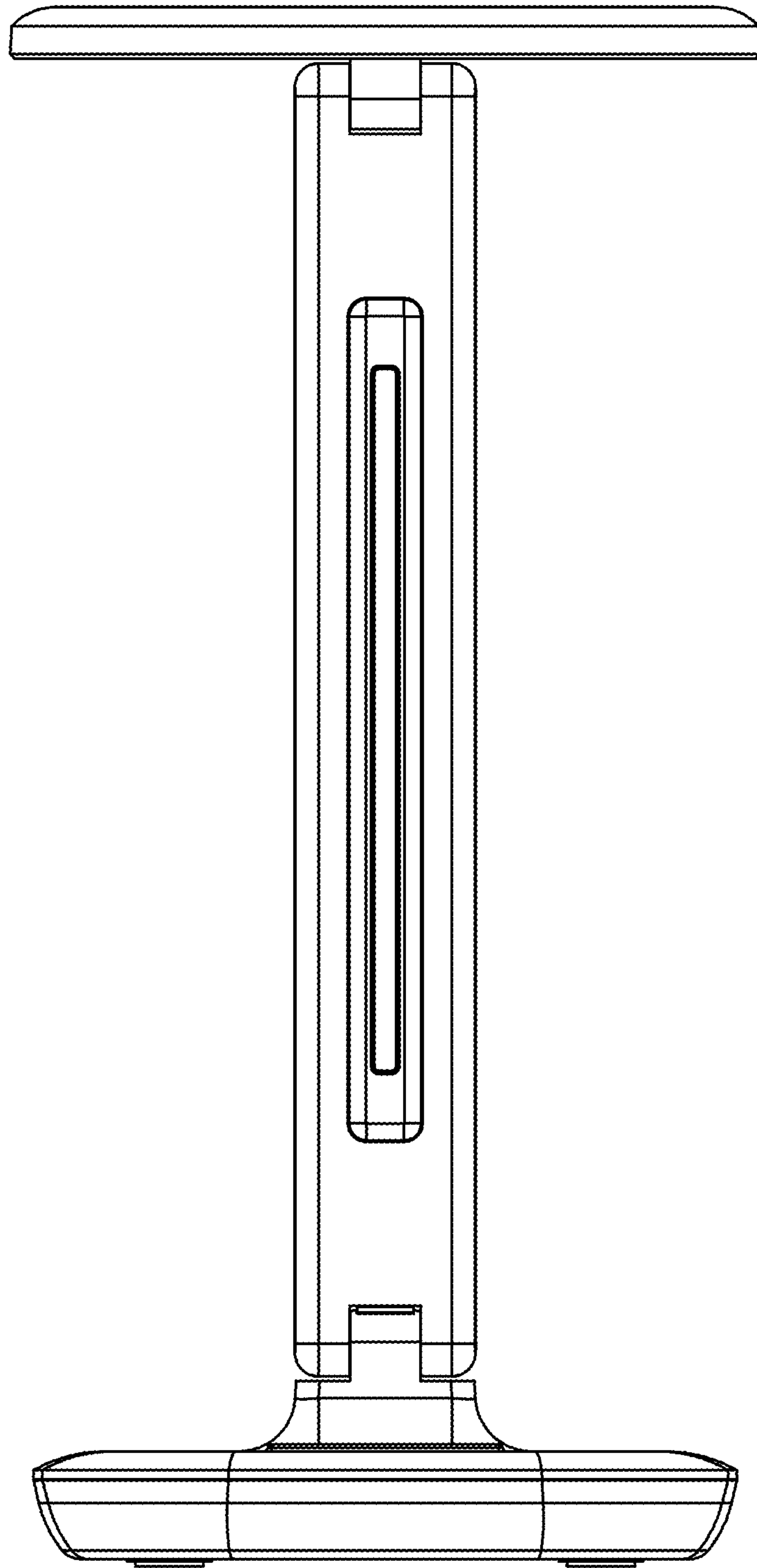


FIG. 1

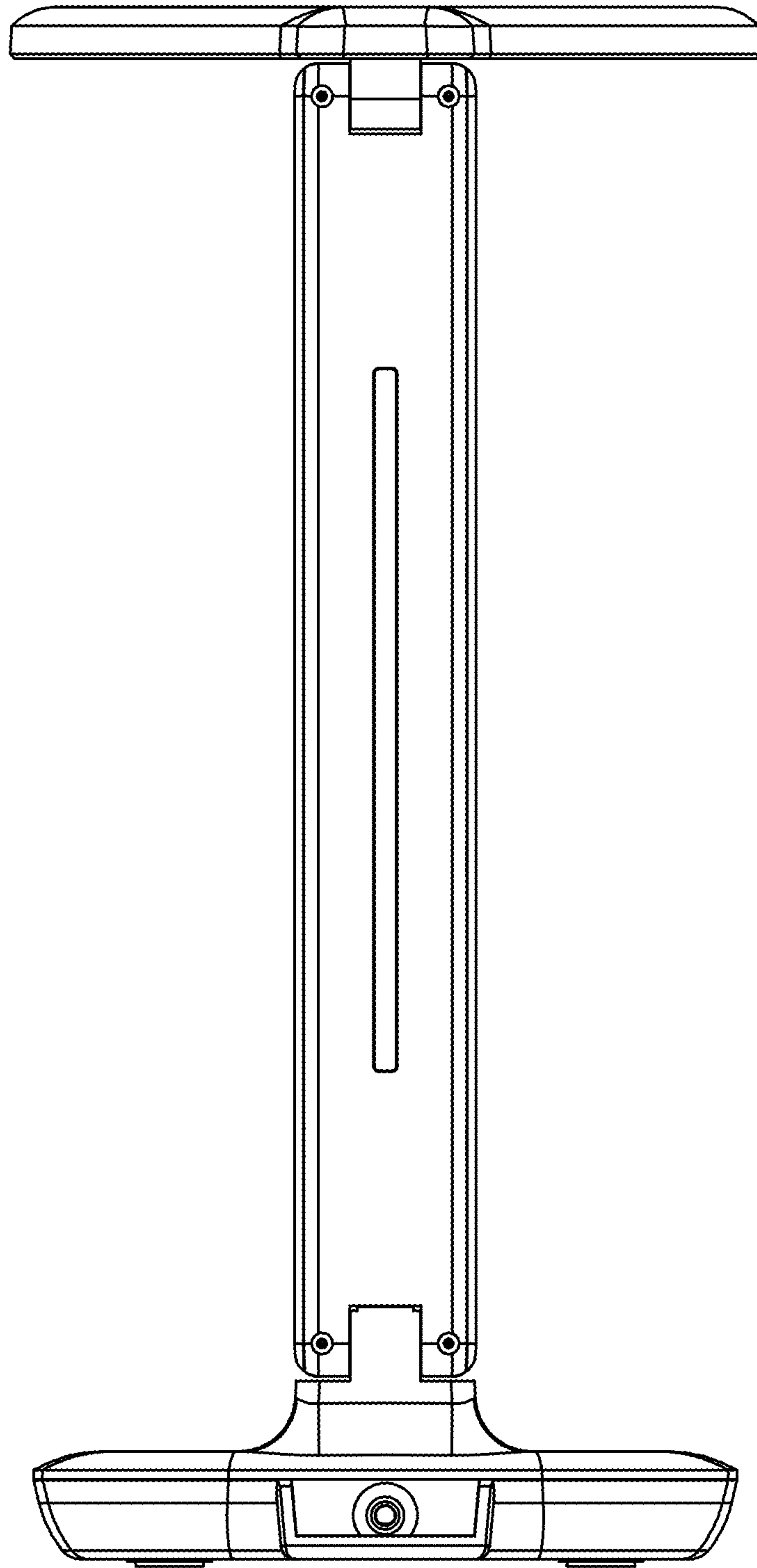


FIG. 2

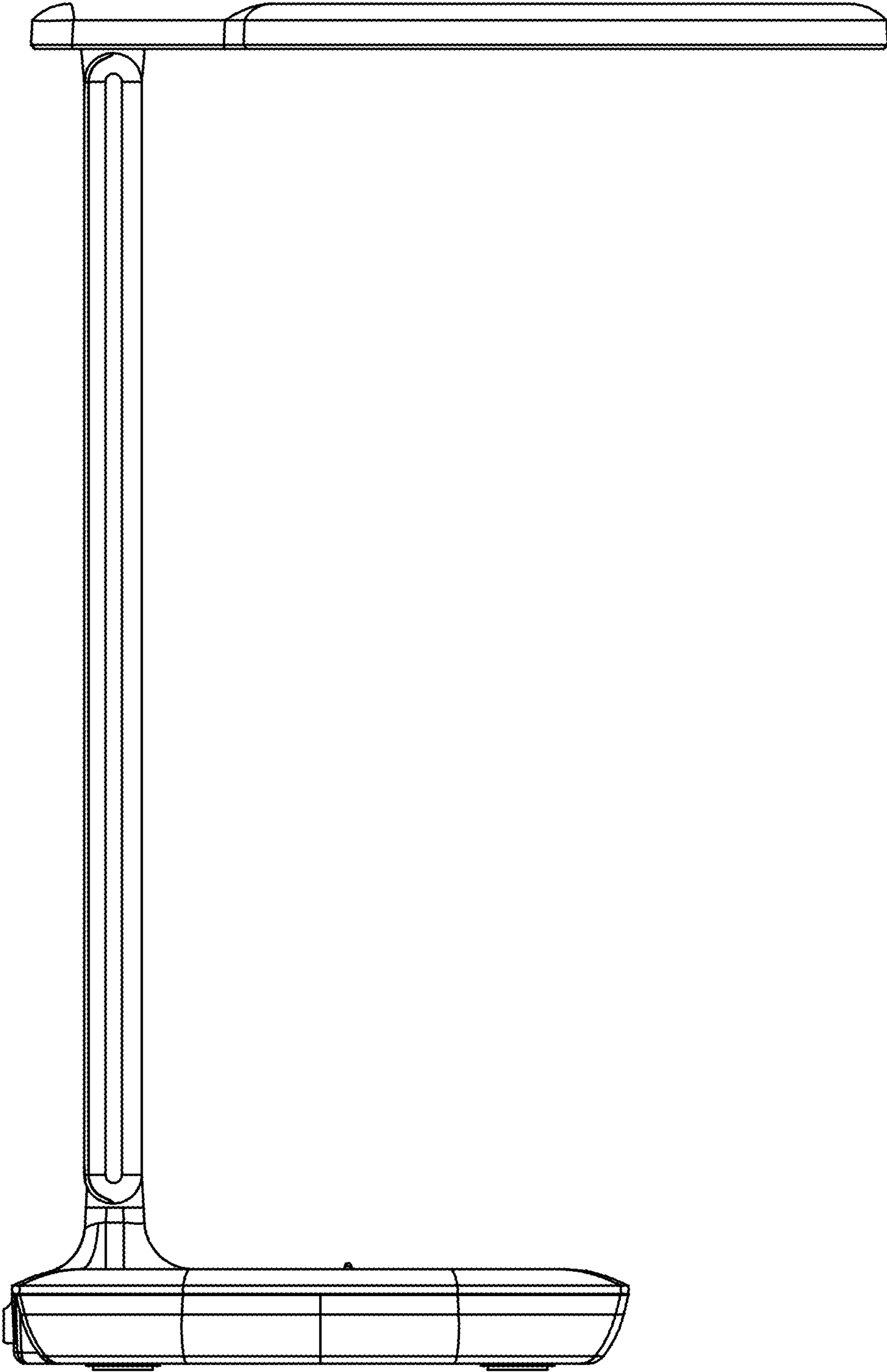


FIG. 3

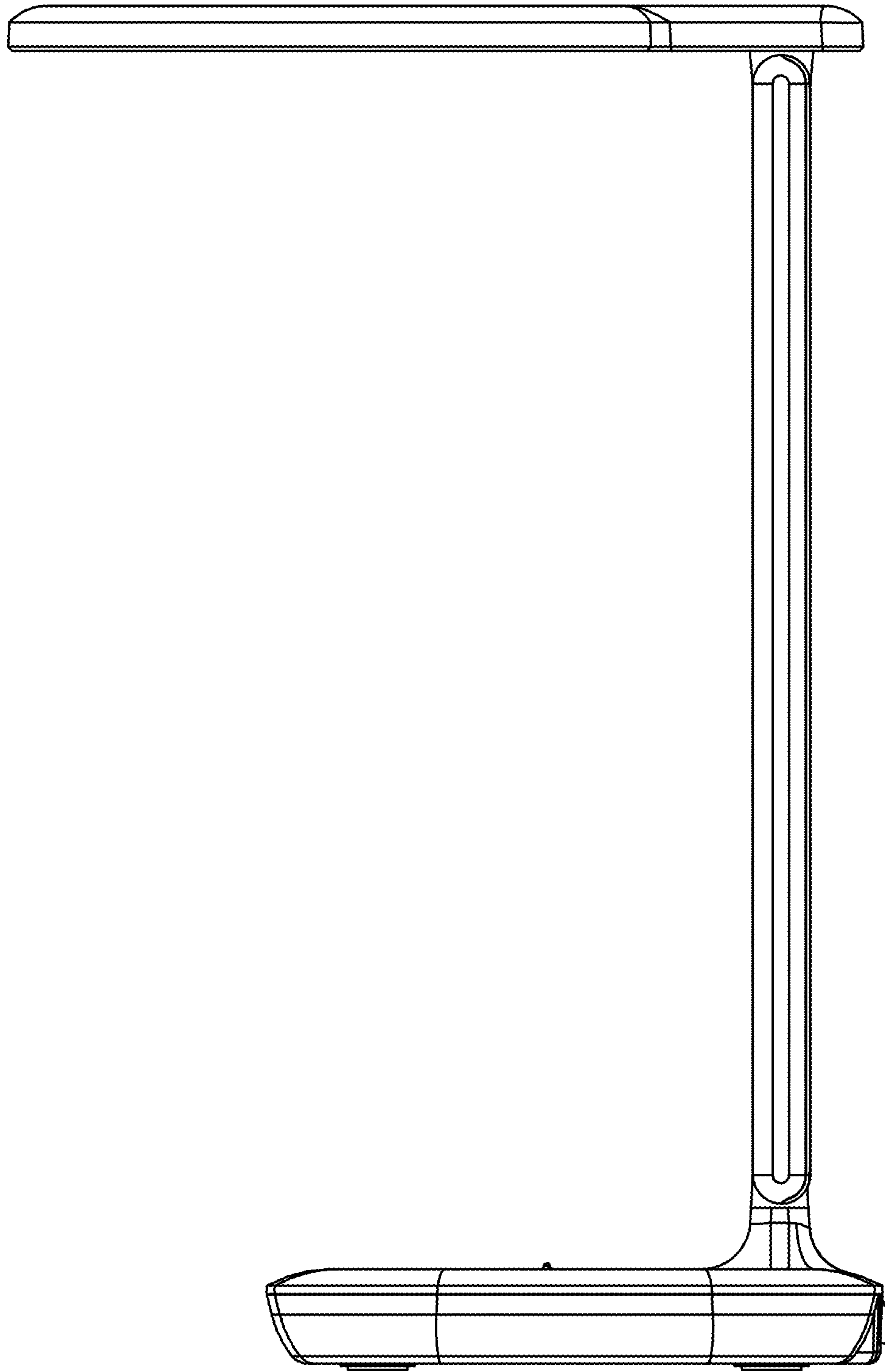


FIG. 4

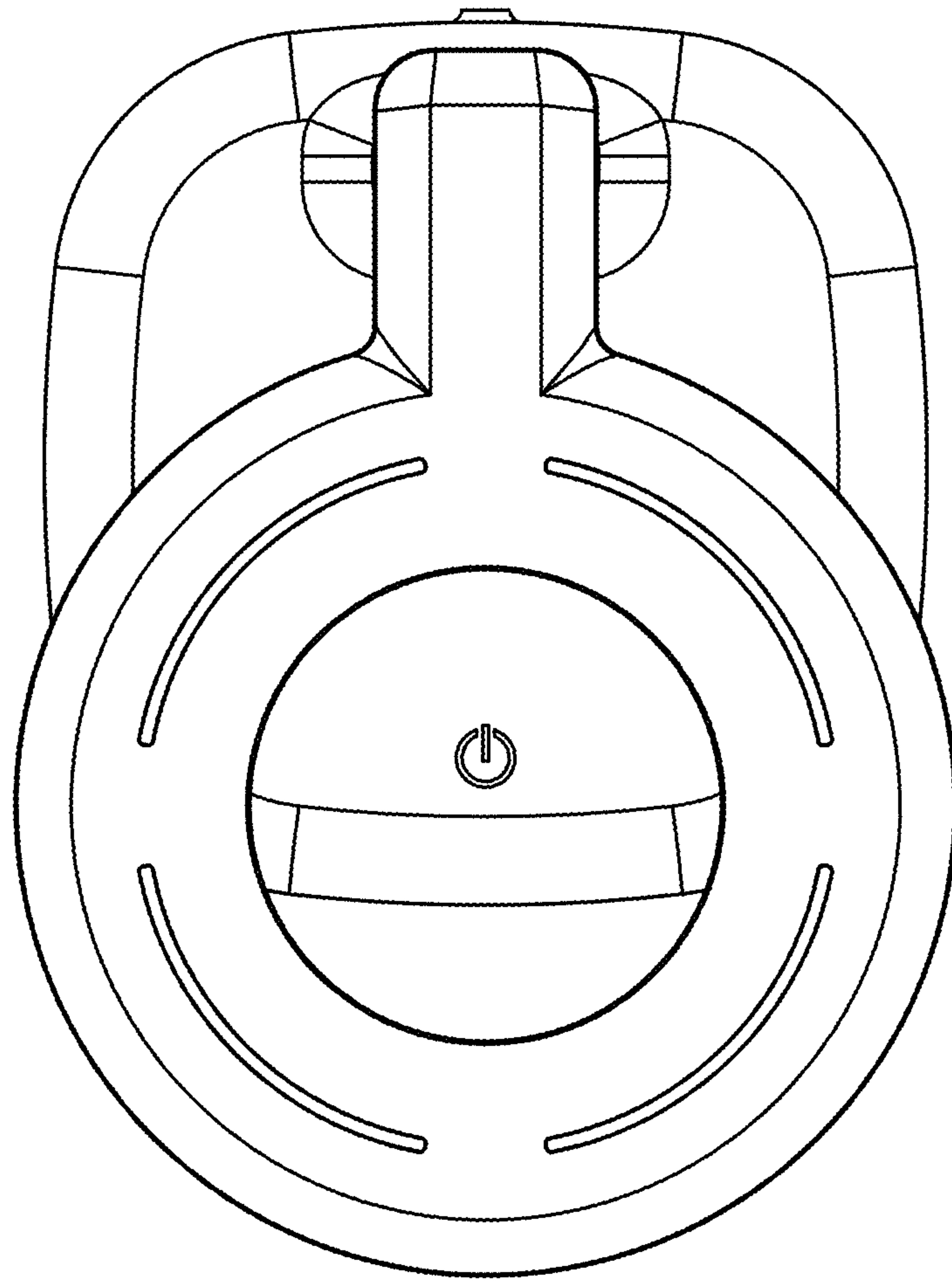


FIG. 5

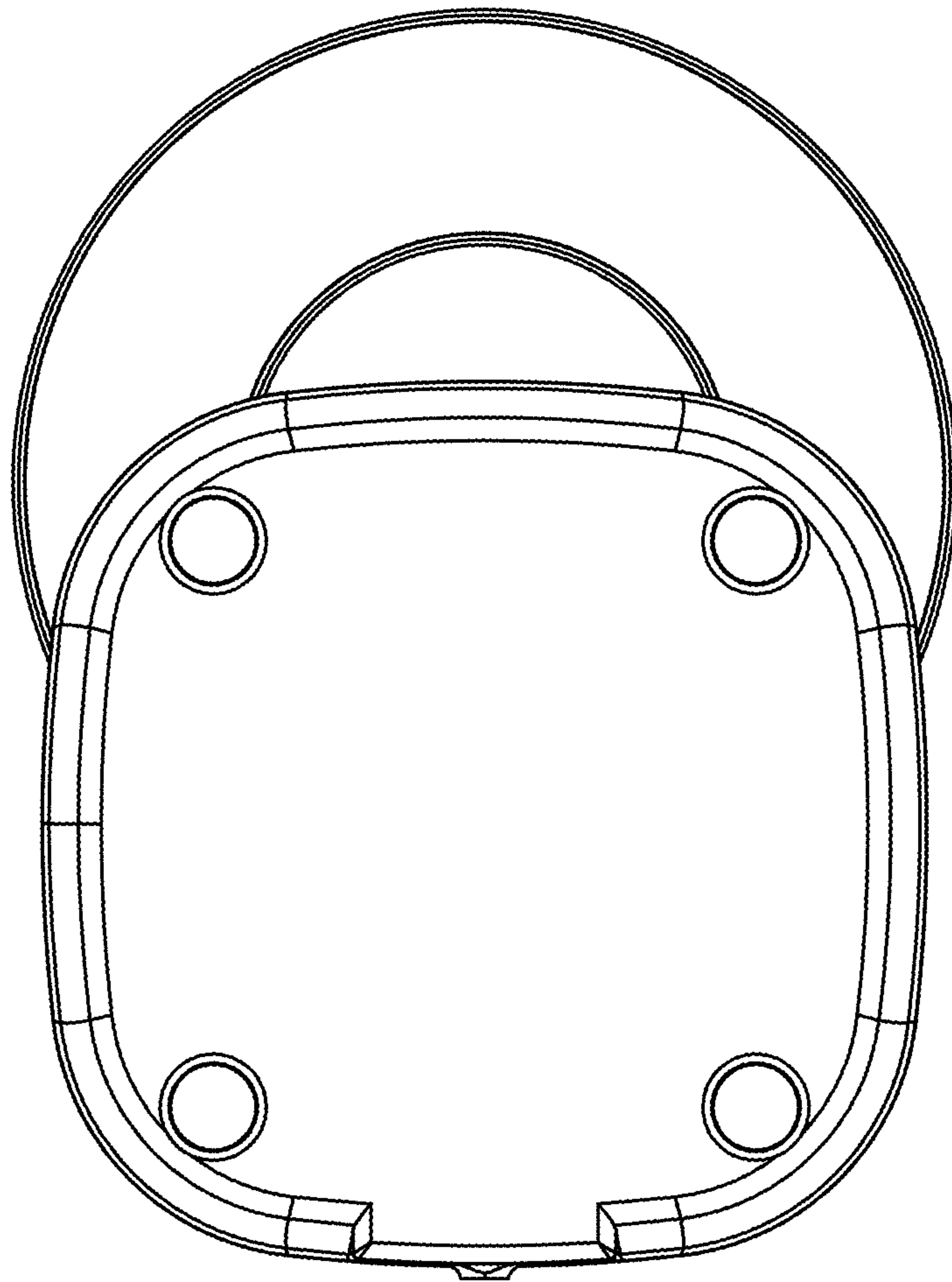


FIG. 6



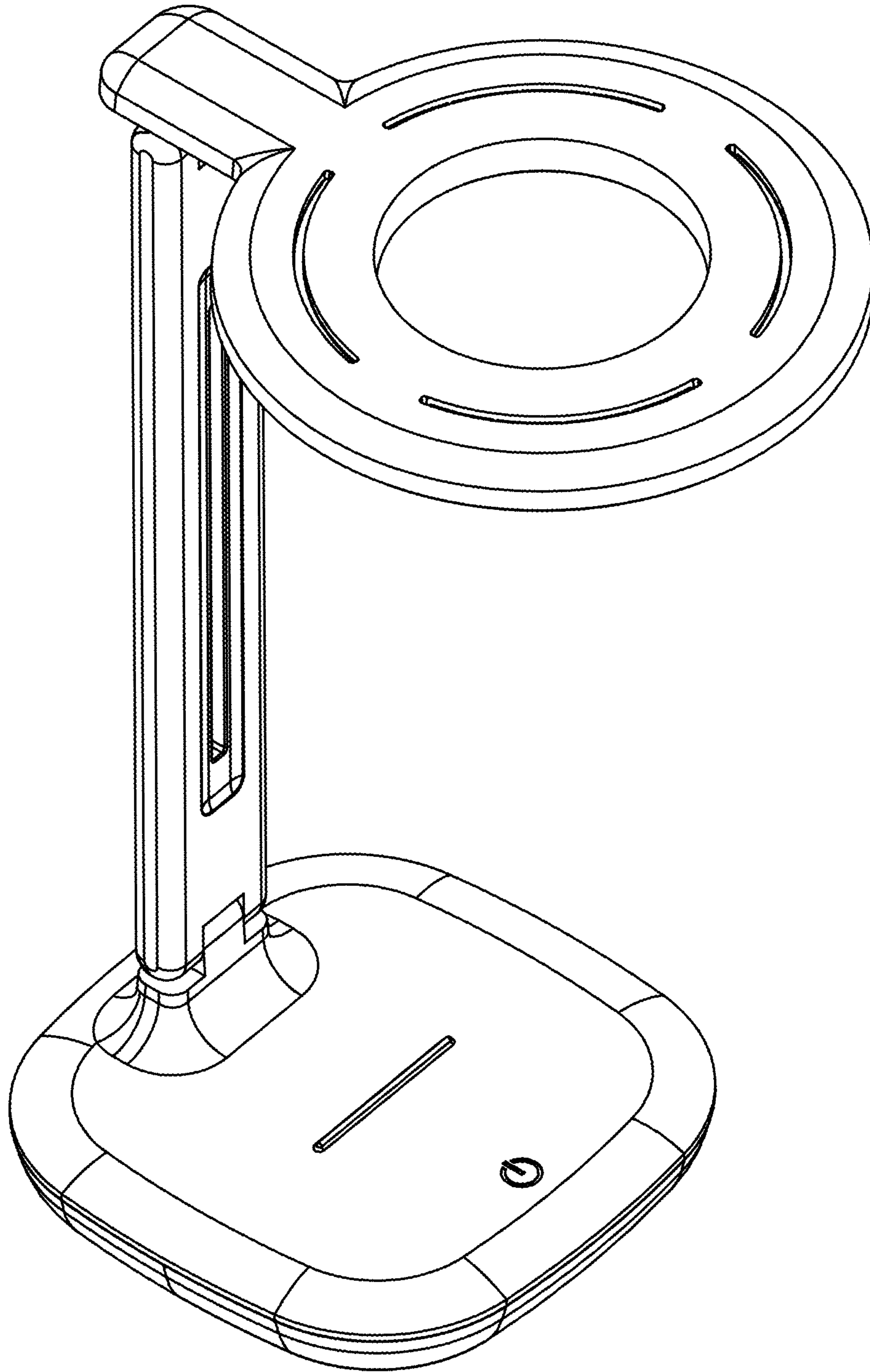


FIG. 7



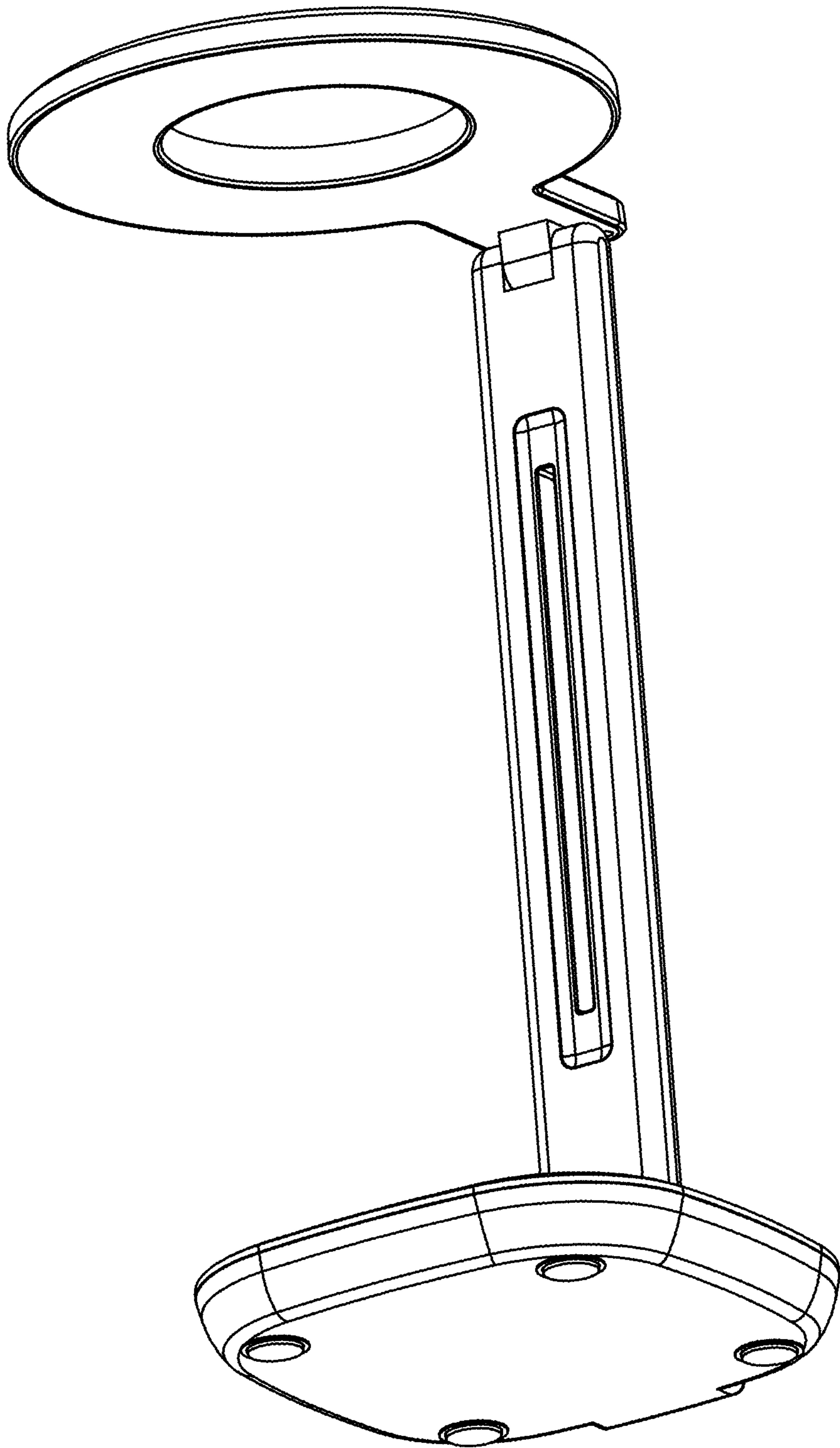


FIG. 8