



US00D929026S

(12) **United States Design Patent** (10) **Patent No.:** **US D929,026 S**
Feng (45) **Date of Patent:** **** Aug. 24, 2021**

(54) **LED RING LIGHT WITH TRIPOD STAND**
(71) Applicant: **SHENZHEN QISHI TECHNOLOGY CO., LTD.**, Shenzhen (CN)
(72) Inventor: **Yali Feng**, Shenzhen (CN)
(73) Assignee: **SHENZHEN QISHI TECHNOLOGY CO., LTD.**, Shenzhen (CN)
(**) Term: **15 Years**

D636,513 S * 4/2011 Furtsch D26/51
D666,764 S * 9/2012 Gilad D26/87
D712,073 S * 8/2014 Hirabayashi D26/2
D826,023 S * 8/2018 Chun D8/72
D827,180 S * 8/2018 Mou D26/72
D829,724 S * 10/2018 Chun D14/447
D845,960 S * 4/2019 Yao D14/447
D847,800 S * 5/2019 Wengreen D14/238.1
D854,227 S * 7/2019 Yu D26/106
D855,242 S * 7/2019 Chen D26/106
D860,485 S * 9/2019 Yu D26/24
D872,348 S * 1/2020 Liu D26/106
D887,052 S 6/2020 Xu
D895,716 S * 9/2020 Chen D16/244
D895,877 S * 9/2020 Kaiser D26/72

(Continued)

(21) Appl. No.: **29/761,698**
(22) Filed: **Dec. 11, 2020**
(51) **LOC (13) Cl.** **26-05**
(52) **U.S. Cl.**
USPC **D26/106; D16/244**
(58) **Field of Classification Search**
USPC D26/49, 60, 63, 72, 79, 85, 89, 92, 93,
D26/104, 106, 111, 118, 123, 124, 138;
D16/136, 237, 239, 244, 245, 250;
D28/9, 15, 16, 17, 99; D14/253; D8/71,
D8/72
CPC F21V 21/00; F21V 21/14; F21V 21/30;
F21V 21/096; F21V 1/00; F21V 1/12;
F21V 17/06; F21V 15/01; F21V 14/00;
F21V 14/02; G03B 2215/0575; G03B
2215/0539; G03B 2215/0592; G03B
2215/0589; G03B 15/03; G03B 15/05;
A45F 2200/0508-0533; F21K 5/00; F21K
5/02; F21S 8/003; F21S 8/043
See application file for complete search history.

Primary Examiner — Wan Laymon
Assistant Examiner — Clint A Samuel

(57) **CLAIM**

The ornamental design for a LED ring light with tripod stand, as shown and described.

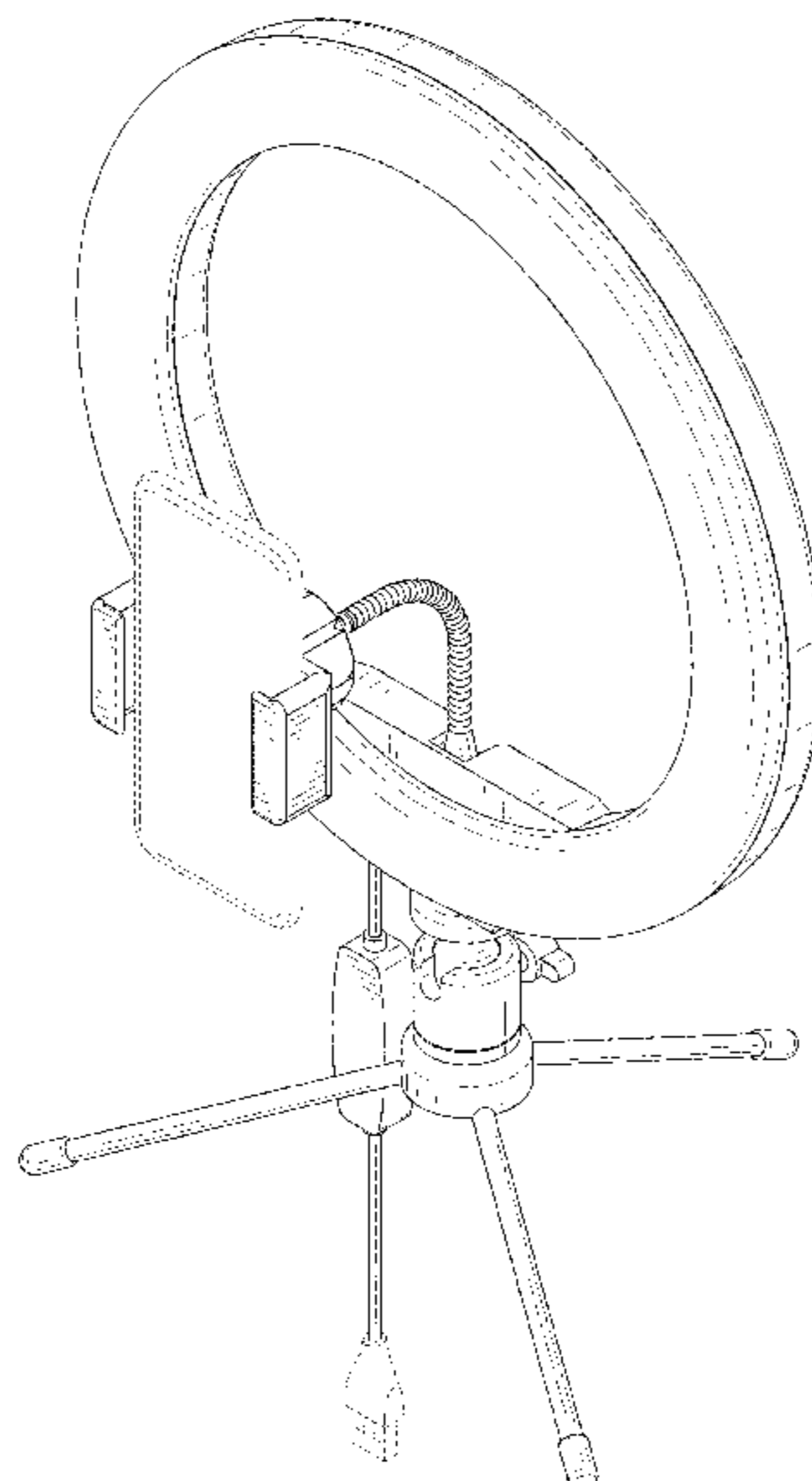
DESCRIPTION

FIG. 1 is a perspective view of an LED ring light with tripod stand where a mobile phone is clamped on a clamping portion of the LED ring light with tripod stand showing my new design;
FIG. 2 is a perspective view of the LED ring light with tripod stand;
FIG. 3 is another perspective view thereof;
FIG. 4 is a front elevational view thereof;
FIG. 5 is a rear elevational view thereof;
FIG. 6 is a left side elevational view thereof;
FIG. 7 is a right side elevational view thereof;
FIG. 8 is a top plan view thereof; and,
FIG. 9 is a bottom plan view thereof.
The broken lines in the drawings depict portions of the LED ring light with tripod stand that form no part of the claimed design.

(56) **References Cited**
U.S. PATENT DOCUMENTS

D250,968 S * 1/1979 Combest D26/152
D364,241 S * 11/1995 Jaynes D26/106
D580,580 S * 11/2008 Lodhie D26/67
D611,178 S * 3/2010 Waring D26/34
D617,035 S * 6/2010 Sabernig D26/89

1 Claim, 9 Drawing Sheets



(56)

References Cited

U.S. PATENT DOCUMENTS

D899,491	S	10/2020	Chen	
D901,054	S *	11/2020	Zhao	D26/61
D901,749	S *	11/2020	Chen	D26/106
D907,027	S *	1/2021	Halpern	D14/253
D907,836	S *	1/2021	Zhou	D26/106
D909,456	S *	2/2021	Xiao	D16/244
D909,649	S *	2/2021	Chu	D26/63
D910,220	S *	2/2021	Wang	D26/63
D910,221	S *	2/2021	Wang	D26/63
D916,173	S *	4/2021	Zeng	D16/244
D917,604	S *	4/2021	Zeng	D16/244
D920,421	S *	5/2021	Li	D16/244
D922,471	S *	6/2021	Li	D16/244
D924,454	S *	7/2021	Xiong	D26/51
2013/0265752	A1 *	10/2013	Shimizu	F21V 5/045
				362/231
2016/0069548	A1 *	3/2016	Wessel	F21S 9/02
				362/183
2017/0118385	A1 *	4/2017	Vargas	G03B 17/561
2019/0003699	A1 *	1/2019	Mondora	F21V 33/004
2020/0281054	A1 *	9/2020	Li	H05B 45/10
2021/0180783	A1 *	6/2021	Frydenger	F21V 23/003

* cited by examiner

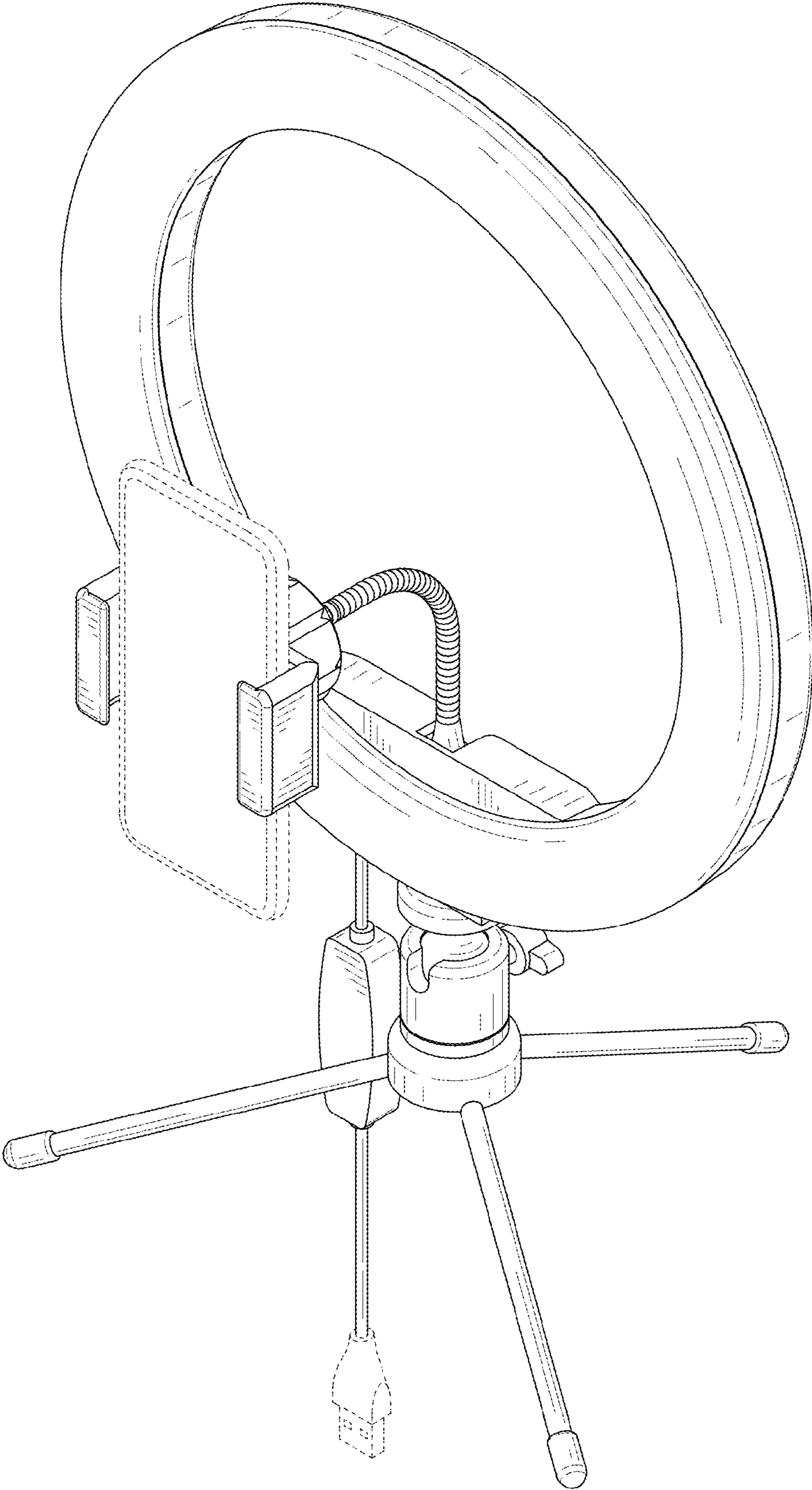


FIG. 1

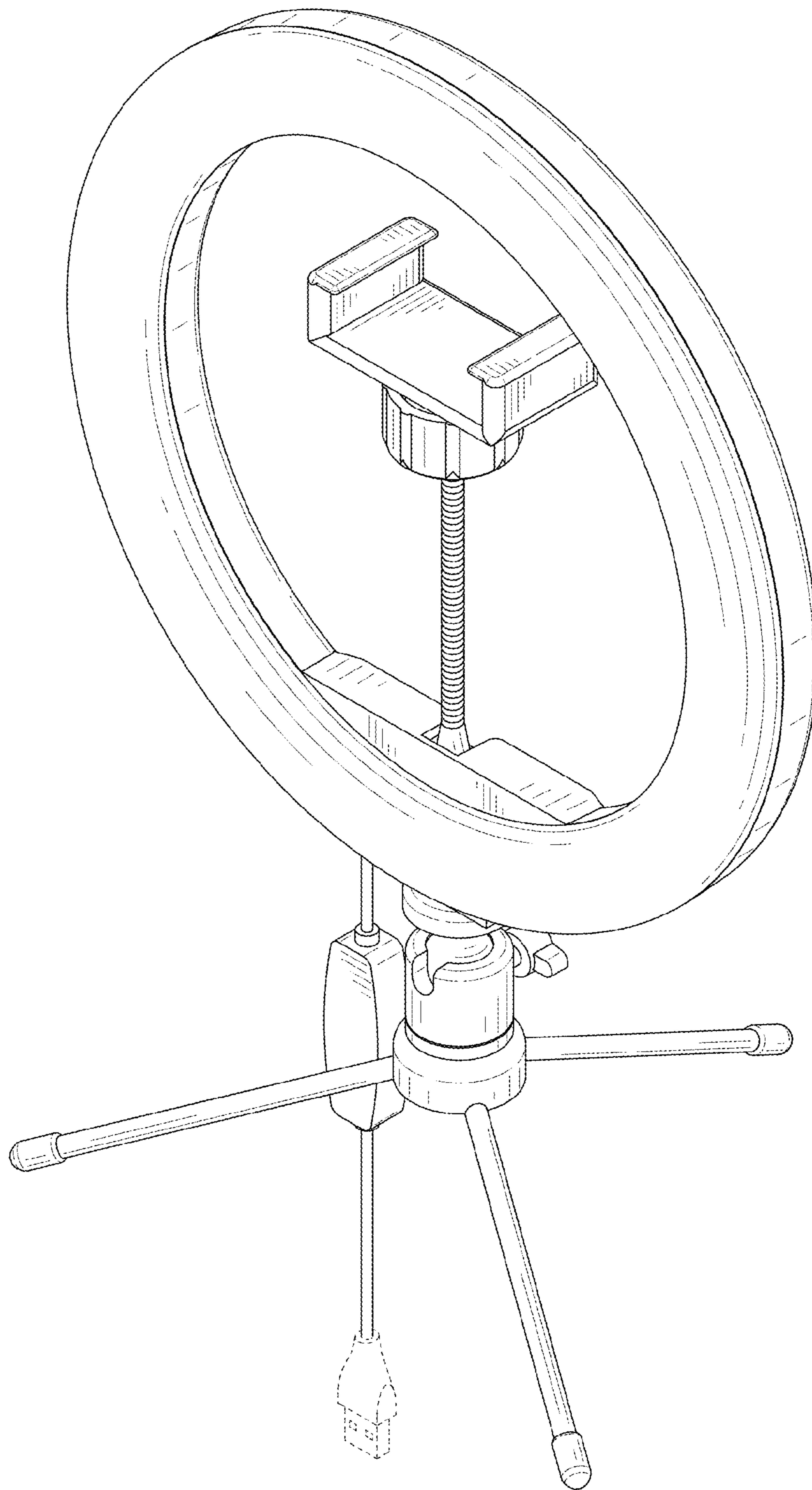


FIG. 2

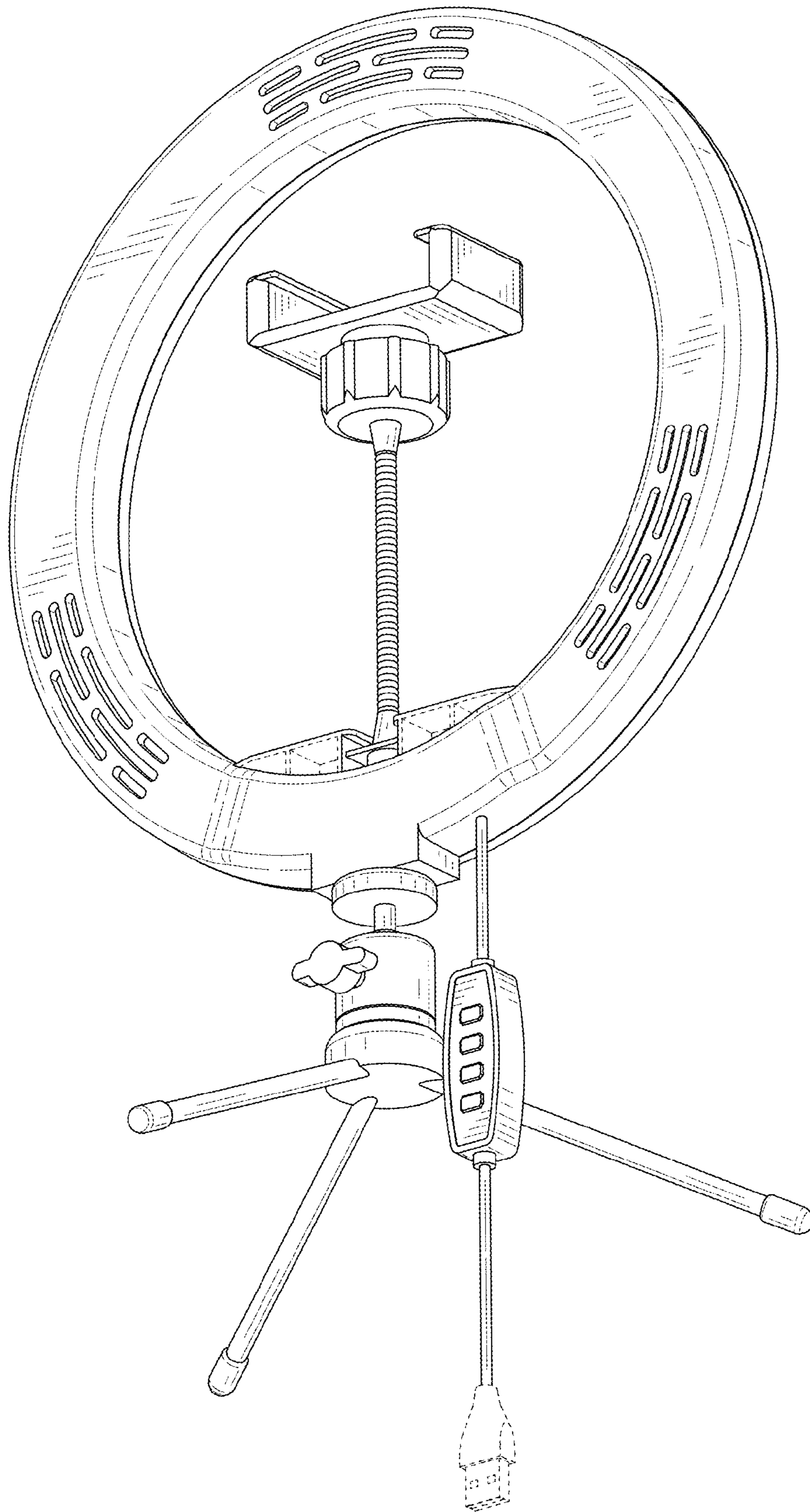


FIG. 3

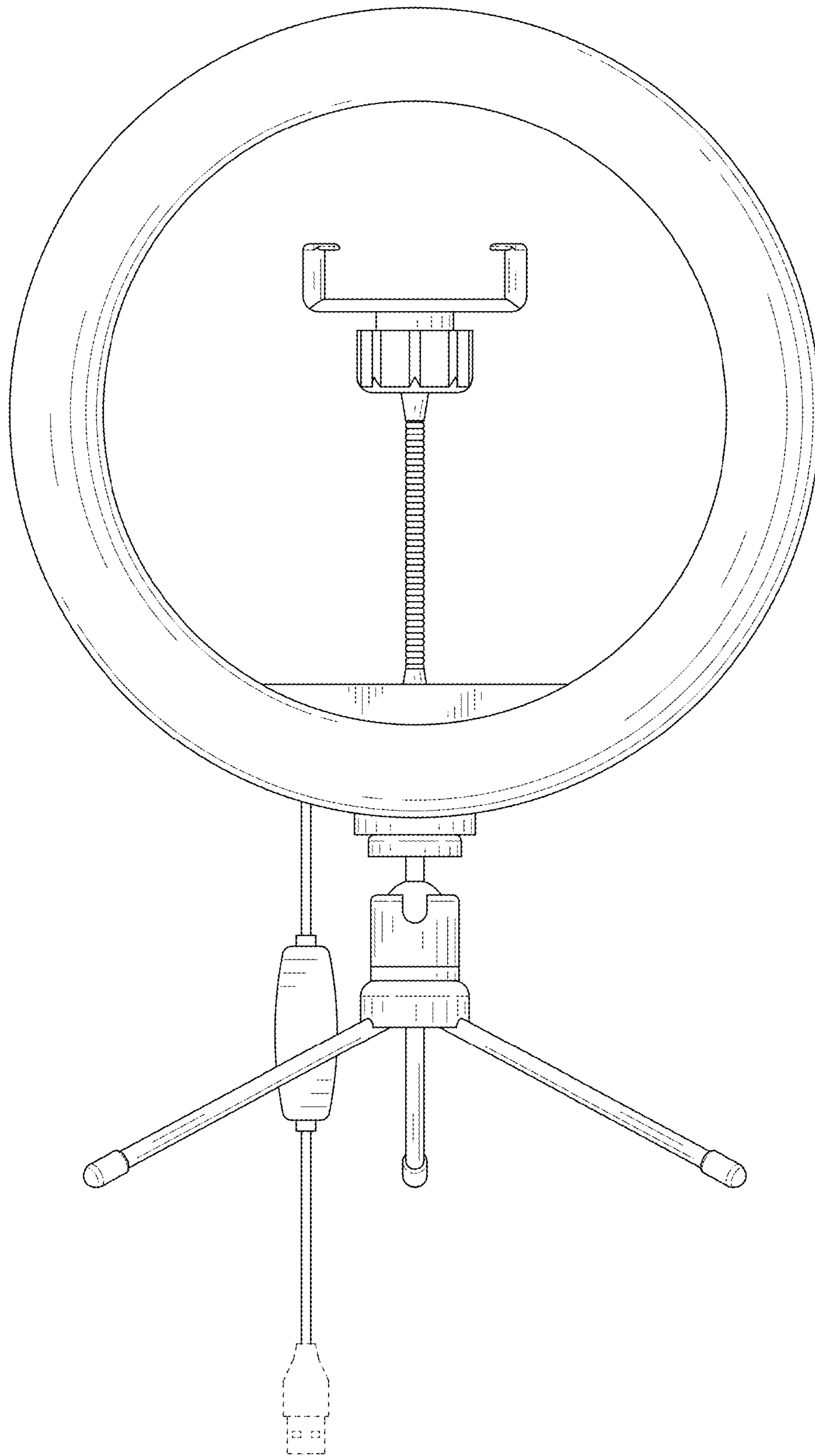


FIG. 4

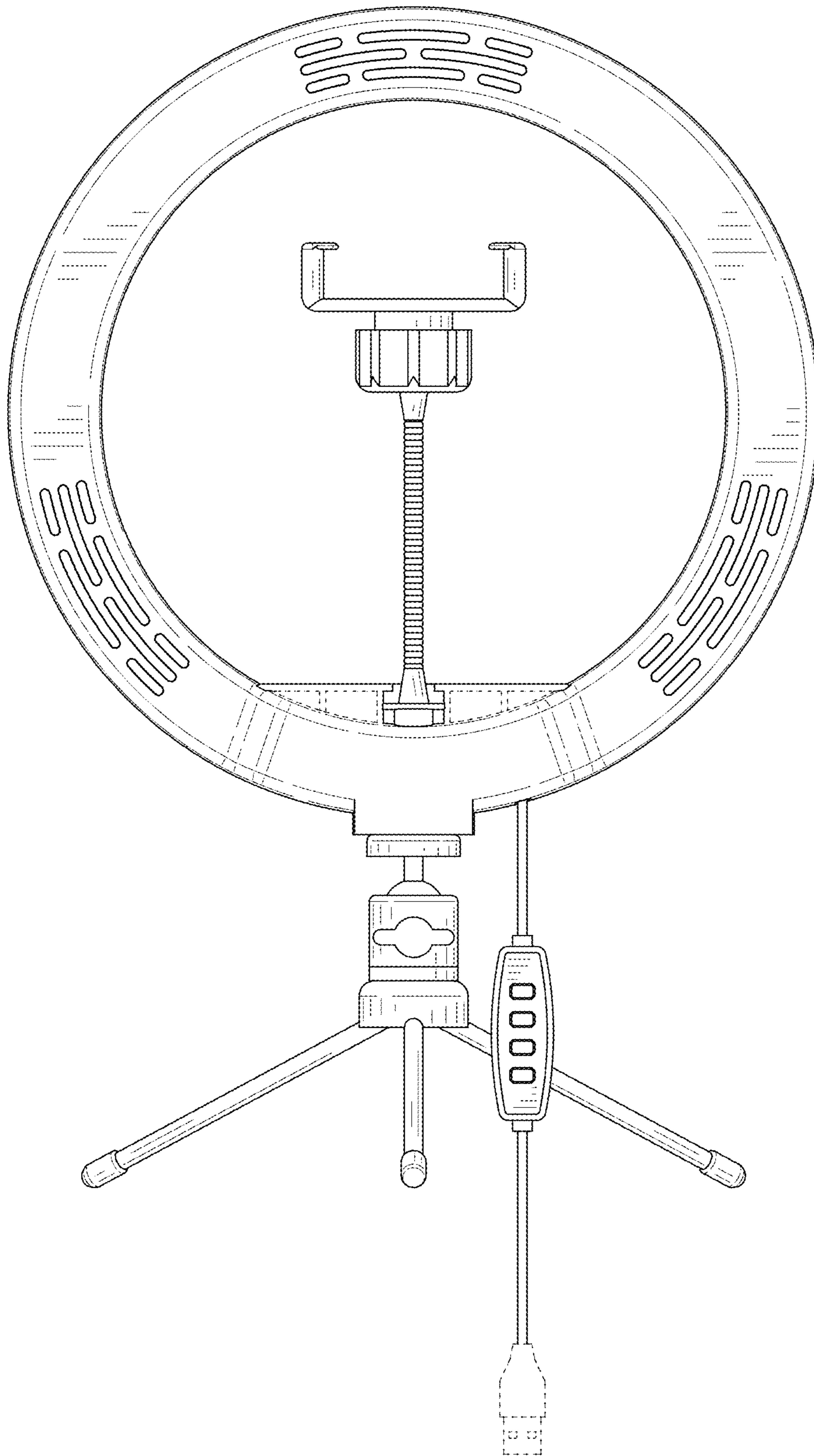


FIG. 5

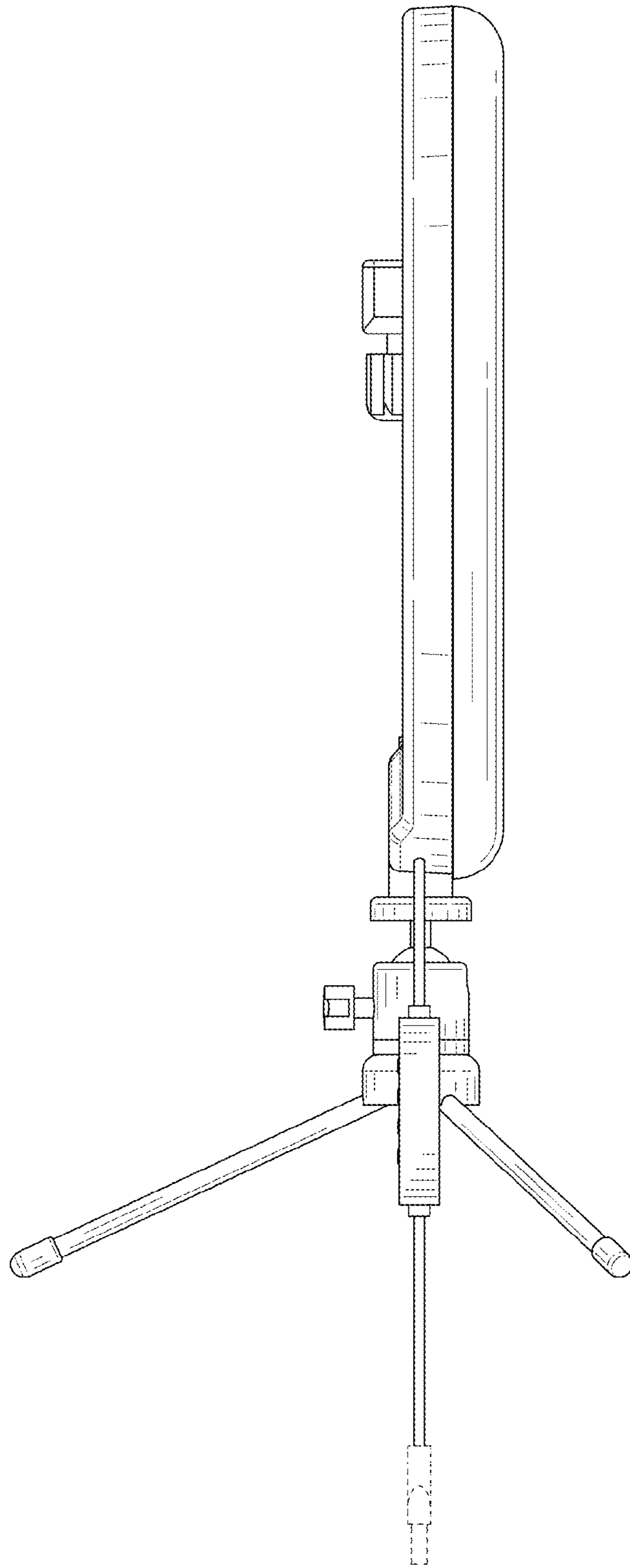


FIG. 6

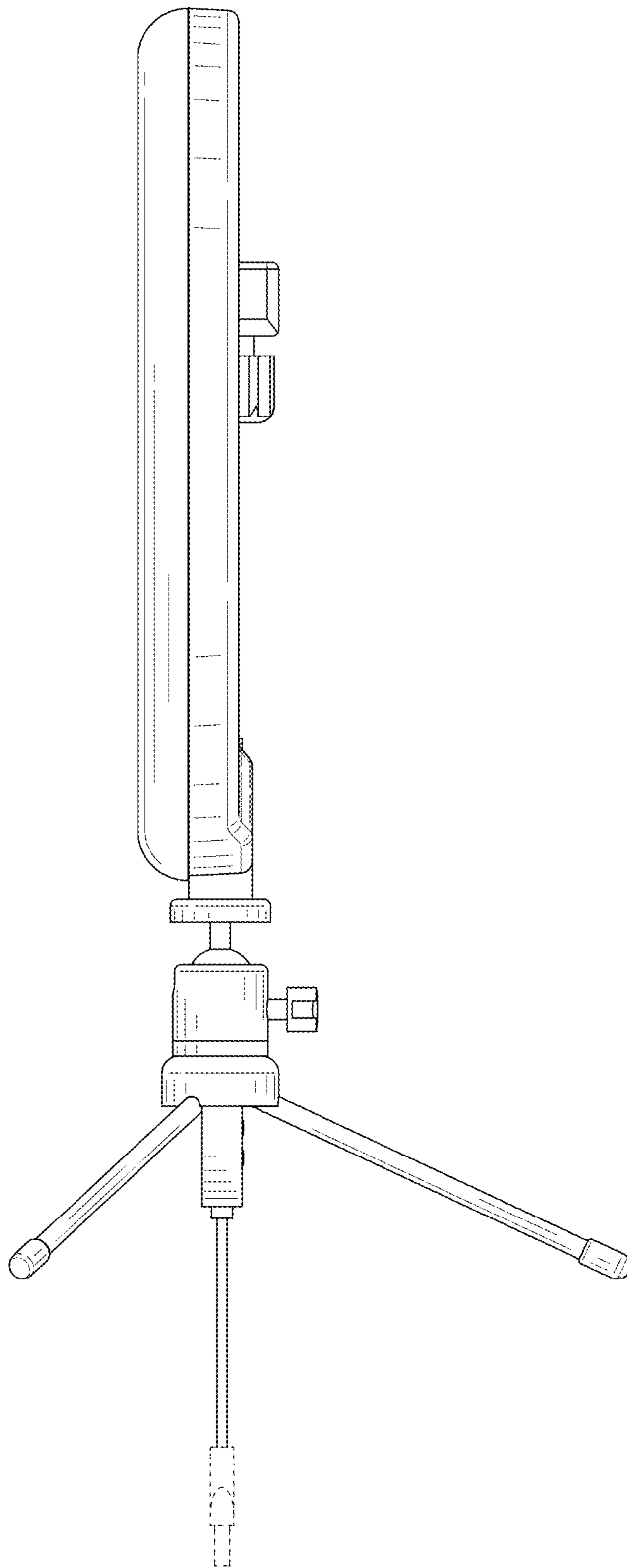


FIG. 7

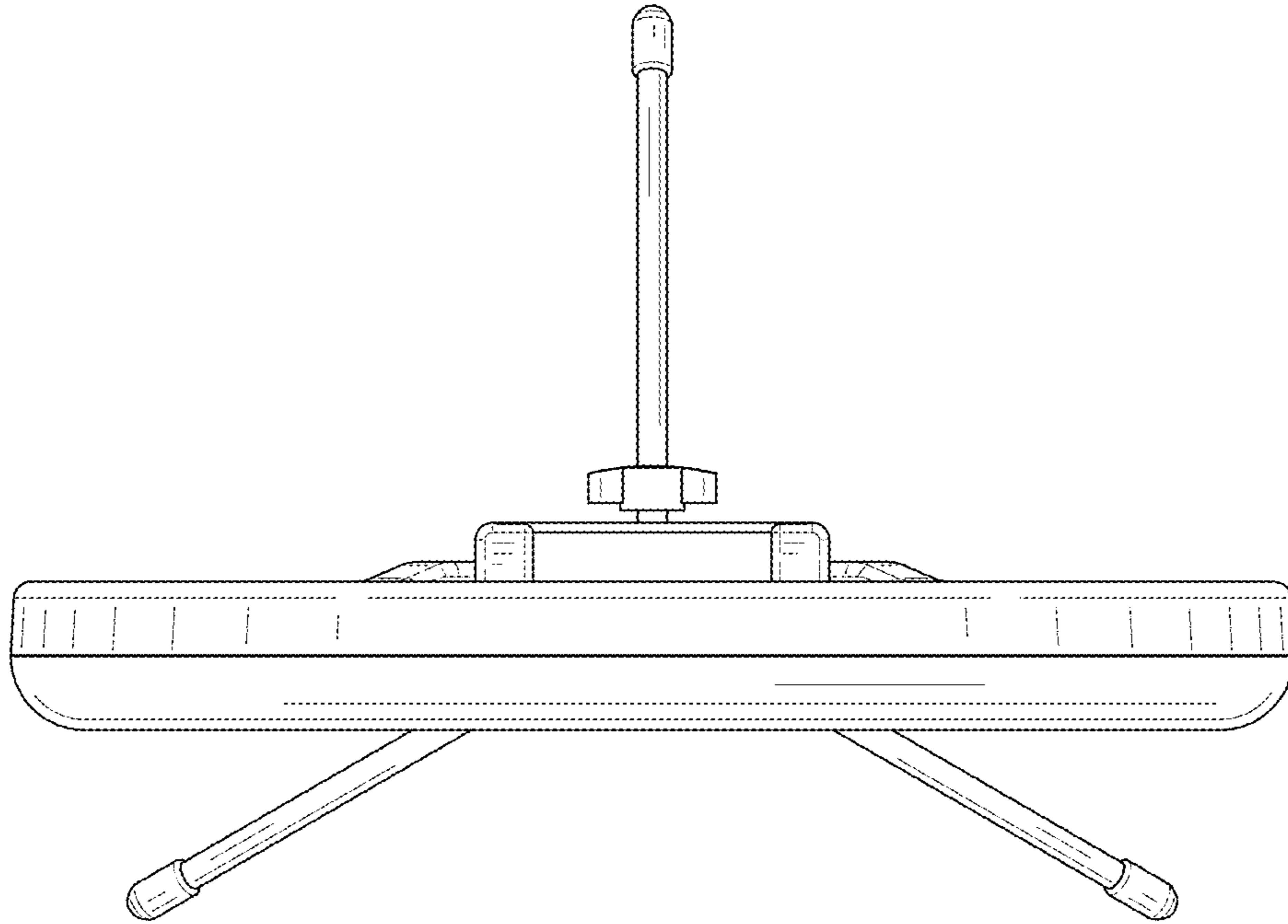


FIG. 8

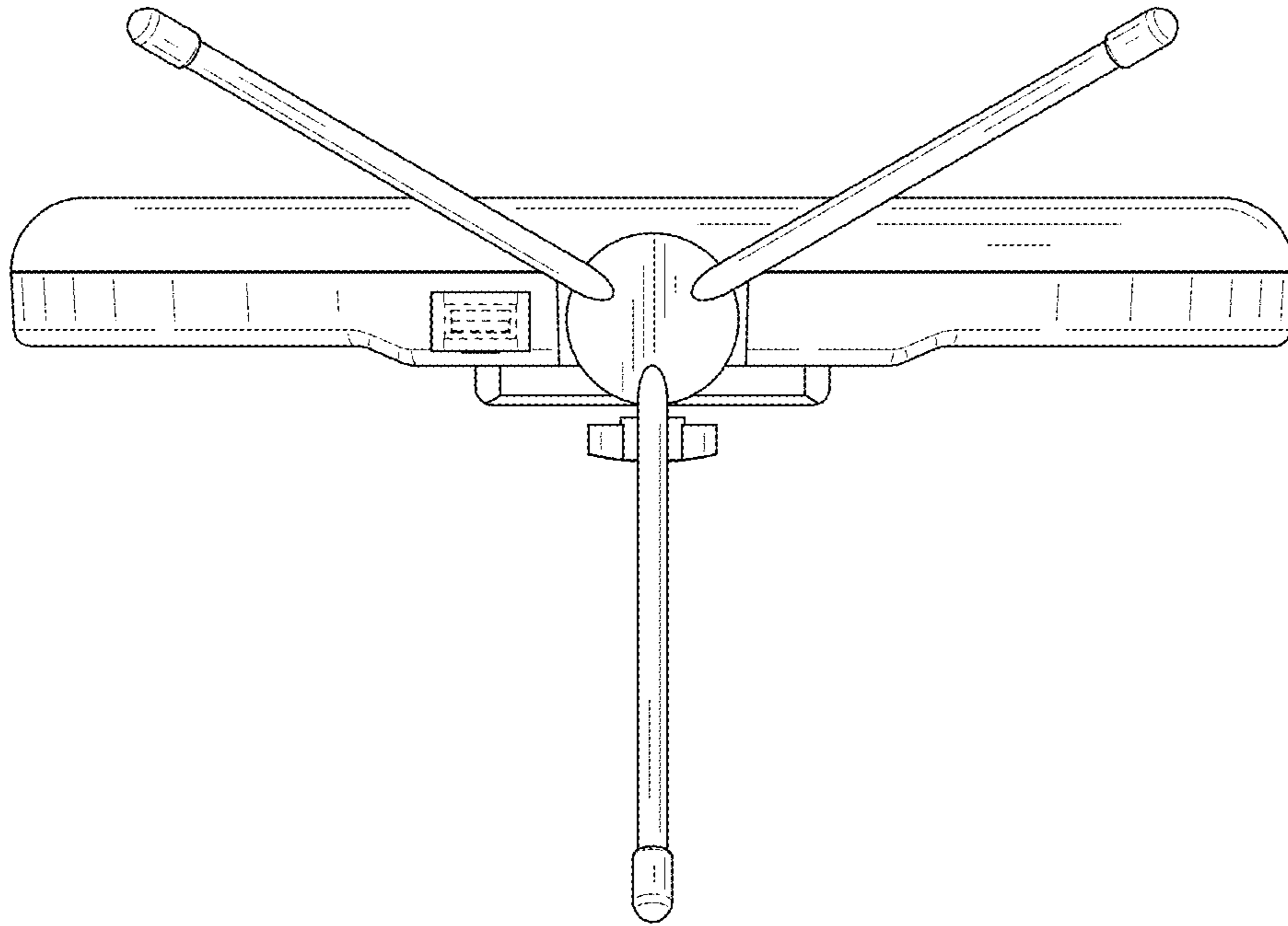


FIG. 9