



US00D929025S

(12) **United States Design Patent** (10) **Patent No.:** **US D929,025 S**  
**Xiao** (45) **Date of Patent:** **\*\* Aug. 24, 2021**

(54) **LED RING LIGHT WITH TRIPOD STAND**

(71) Applicant: **AMAKIN INC**, Frankfort, KY (US)

(72) Inventor: **Li Xiao**, Prestonsburg, KY (US)

(73) Assignee: **AMAKIN INC**, Frankfort, KY (US)

(\*\*) Term: **15 Years**

(21) Appl. No.: **29/752,368**

(22) Filed: **Sep. 27, 2020**

(51) **LOC (13) Cl.** ..... **26-05**

(52) **U.S. Cl.**  
USPC ..... **D26/106**; D16/244

(58) **Field of Classification Search**  
USPC ..... D26/49, 60, 63, 72, 79, 85, 89, 92, 93,  
D26/104, 106, 111, 118, 123, 124, 138;  
D16/136, 237, 239, 244, 245, 250;  
D28/9, 15, 16, 17, 99; D14/253; D8/71,  
D8/72

CPC ..... F21V 21/00; F21V 21/14; F21V 21/30;  
F21V 21/096; F21V 1/00; F21V 1/12;  
F21V 17/06; F21V 15/01; F21V 14/00;  
F21V 14/02; G03B 2215/0575; G03B  
2215/0539; G03B 2215/0592; G03B  
2215/0589; G03B 15/03; G03B 15/05;  
A45F 2200/0508-0533; F21K 5/00; F21K  
5/02; F21S 8/003; F21S 8/043

See application file for complete search history.

(56) **References Cited**

**U.S. PATENT DOCUMENTS**

D250,968 S \* 1/1979 Combest ..... D26/152  
D580,580 S \* 11/2008 Lodhie ..... D26/67  
D611,178 S \* 3/2010 Waring ..... D26/34  
D617,035 S \* 6/2010 Sabernig ..... D26/89  
D712,073 S \* 8/2014 Hirabayashi ..... D26/2  
D855,242 S \* 7/2019 Chen ..... D26/106  
D860,485 S \* 9/2019 Yu ..... D26/24  
D872,348 S \* 1/2020 Liu ..... D26/106  
D907,836 S \* 1/2021 Zhou ..... D26/106

D909,456 S \* 2/2021 Xiao ..... D16/244  
D909,649 S \* 2/2021 Chu ..... D26/63  
D910,220 S \* 2/2021 Wang ..... D26/63  
D910,221 S \* 2/2021 Wang ..... D26/63  
D916,173 S \* 4/2021 Zeng ..... D16/244

(Continued)

**OTHER PUBLICATIONS**

“Neewer LED Ring Light, Table Top 10-inch USB Ring Light, Color Temperature 3200K-5600K 3 Light Modes with Flexible Smartphone Stand for Streaming Makeup YouTube Video Shooting Phone Selfie Photography”, Retrieved Sep. 24, 2020. Retrieved from Internet, <https://www.amazon.com/Neewer-Temperature-3200K-5600K-Smartphone-Photography/dp/B07QM76BF6/>.

*Primary Examiner* — Wan Laymon

*Assistant Examiner* — Clint A Samuel

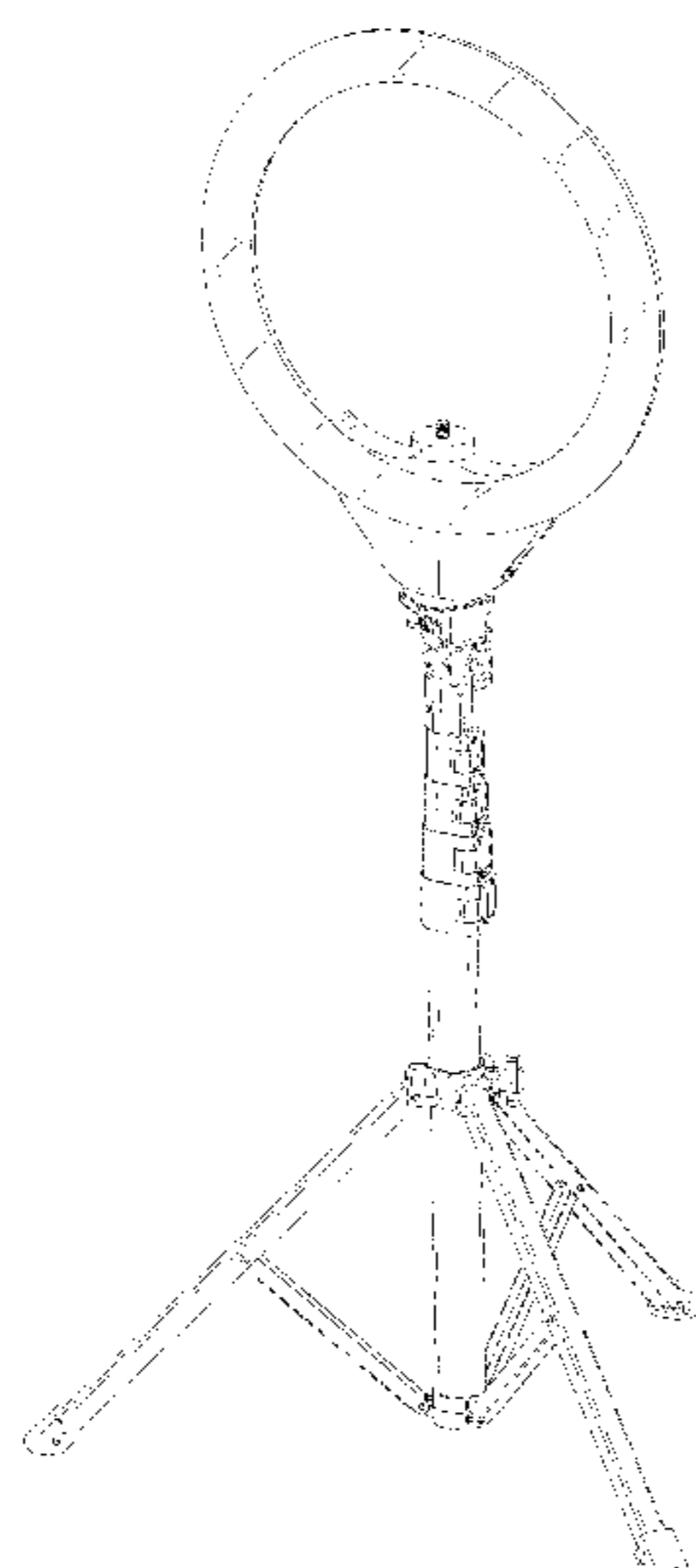
(57) **CLAIM**

The ornamental design for a LED ring light with tripod stand, as shown and described.

**DESCRIPTION**

FIG. 1 is a perspective view of an LED ring light with tripod stand showing my new design;  
FIG. 2 is another perspective view thereof;  
FIG. 3 is a front elevational view thereof;  
FIG. 4 is a rear elevational view thereof;  
FIG. 5 is a left side elevational view thereof;  
FIG. 6 is a right side elevational view thereof;  
FIG. 7 is a top plan view thereof;  
FIG. 8 is a bottom plan view thereof;  
FIG. 9 is a perspective view of the LED ring light with tripod stand where the LED ring light with tripod stand is in a configuration of use; and,  
FIG. 10 is an exploded perspective view of the LED ring light with tripod stand in a closed configuration.  
The broken lines in the drawings depict portions of the LED ring light with tripod stand that form no part of the claimed design.

**1 Claim, 10 Drawing Sheets**



(56)

**References Cited**

U.S. PATENT DOCUMENTS

D917,604 S *	4/2021	Zeng .....	D16/244
D920,421 S *	5/2021	Li .....	D16/244
D922,471 S *	6/2021	Li .....	D16/244
D924,454 S *	7/2021	Xiong .....	D26/51
2016/0069548 A1 *	3/2016	Wessel .....	F21S 9/02
			362/183
2019/0003699 A1 *	1/2019	Mondora .....	F21V 33/004
2020/0281054 A1 *	9/2020	Li .....	H05B 45/10
2021/0180783 A1 *	6/2021	Frydenger .....	F21V 23/003

\* cited by examiner

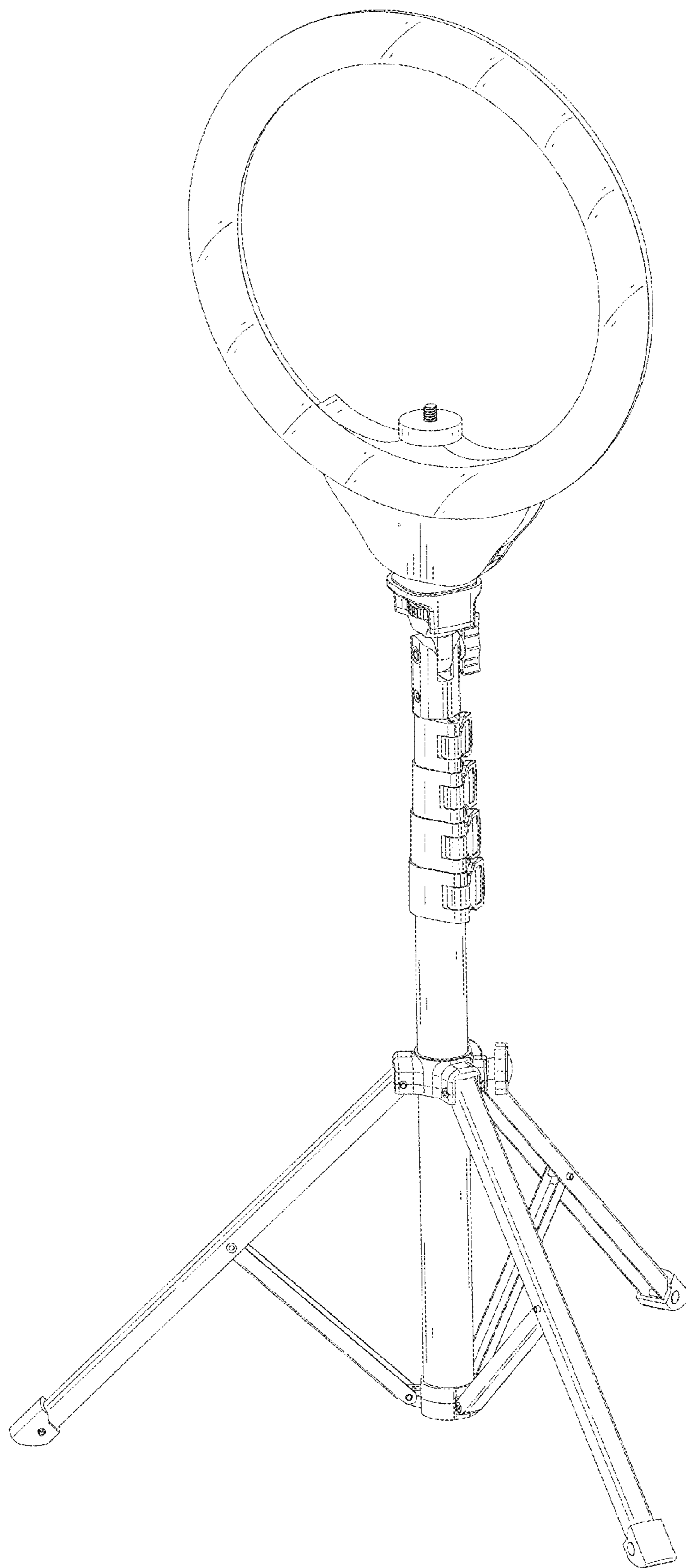


FIG. 1

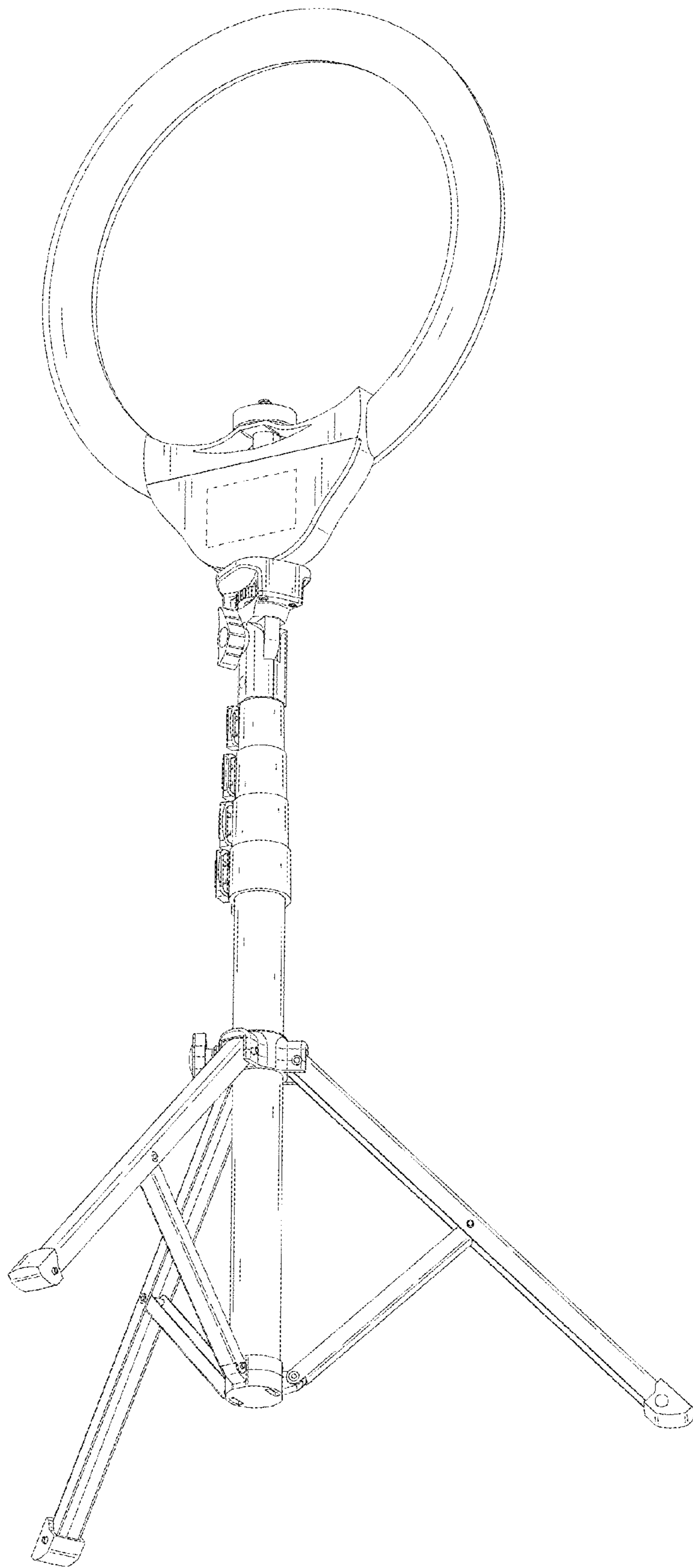


FIG. 2

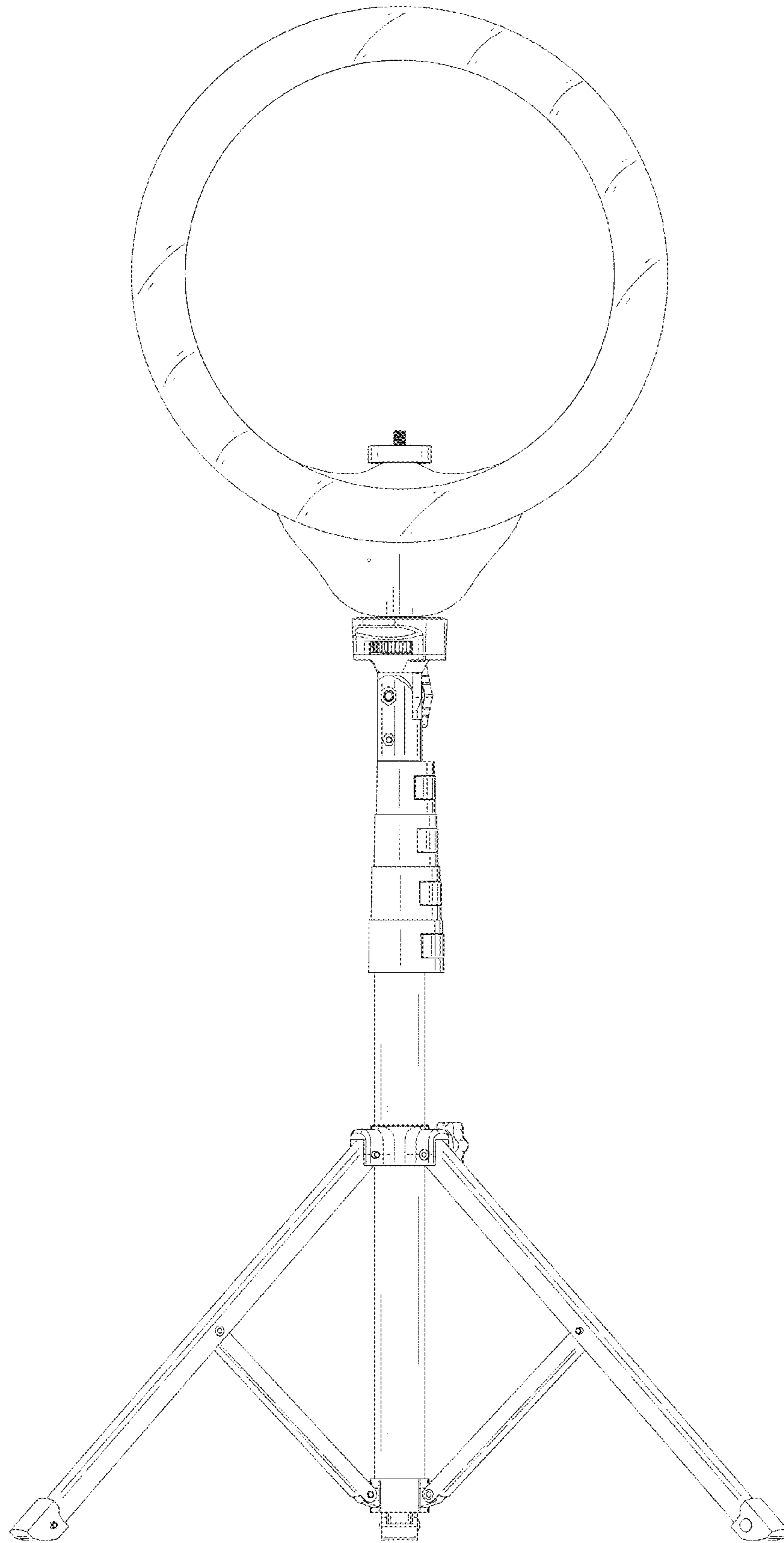


FIG. 3

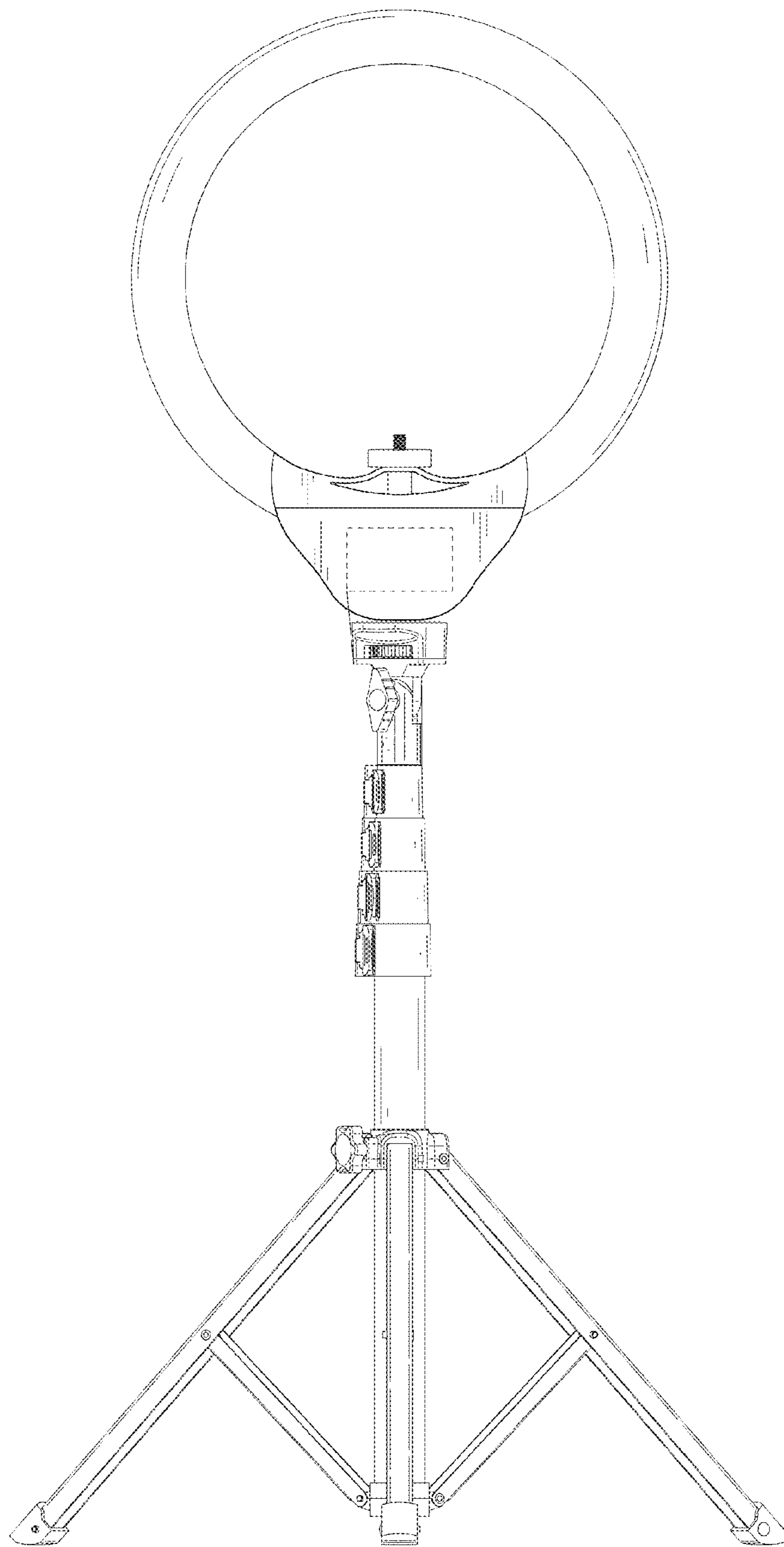


FIG. 4

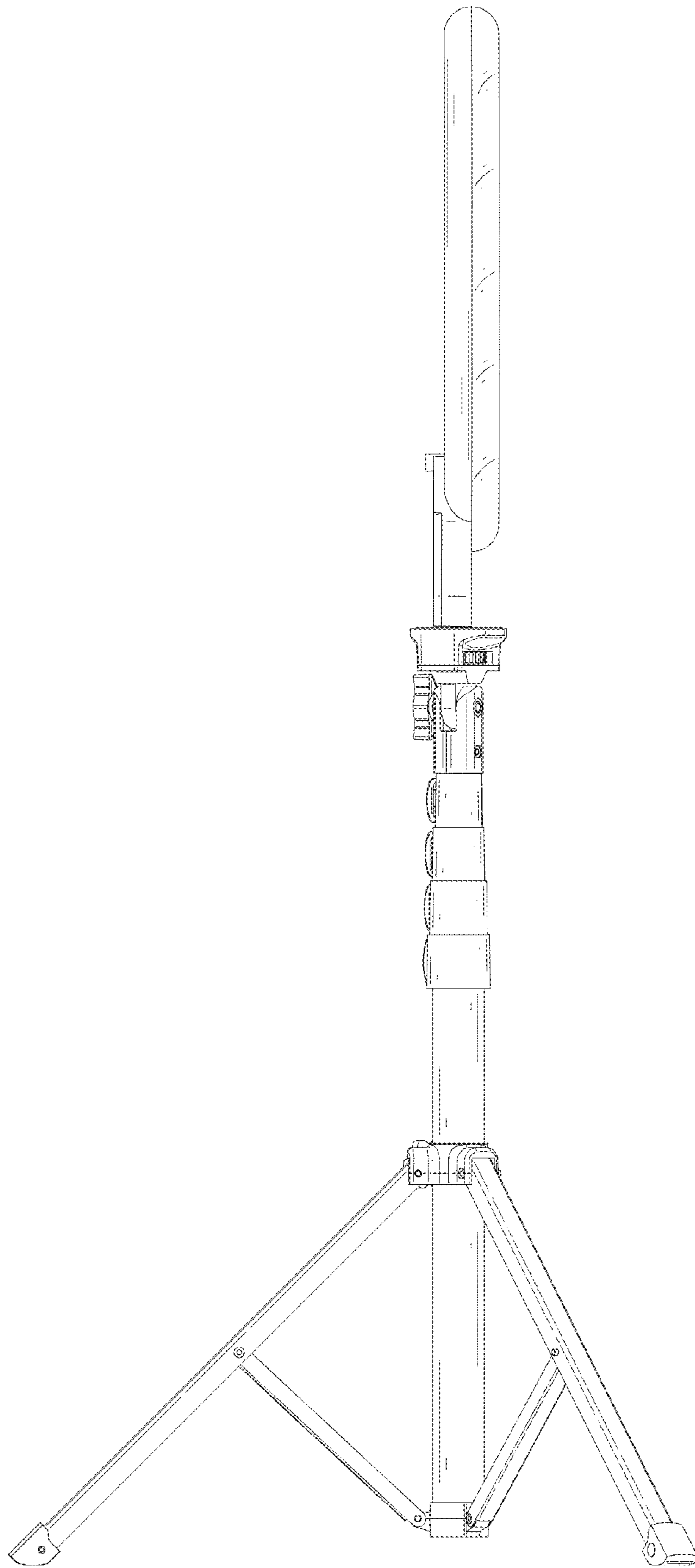


FIG. 5

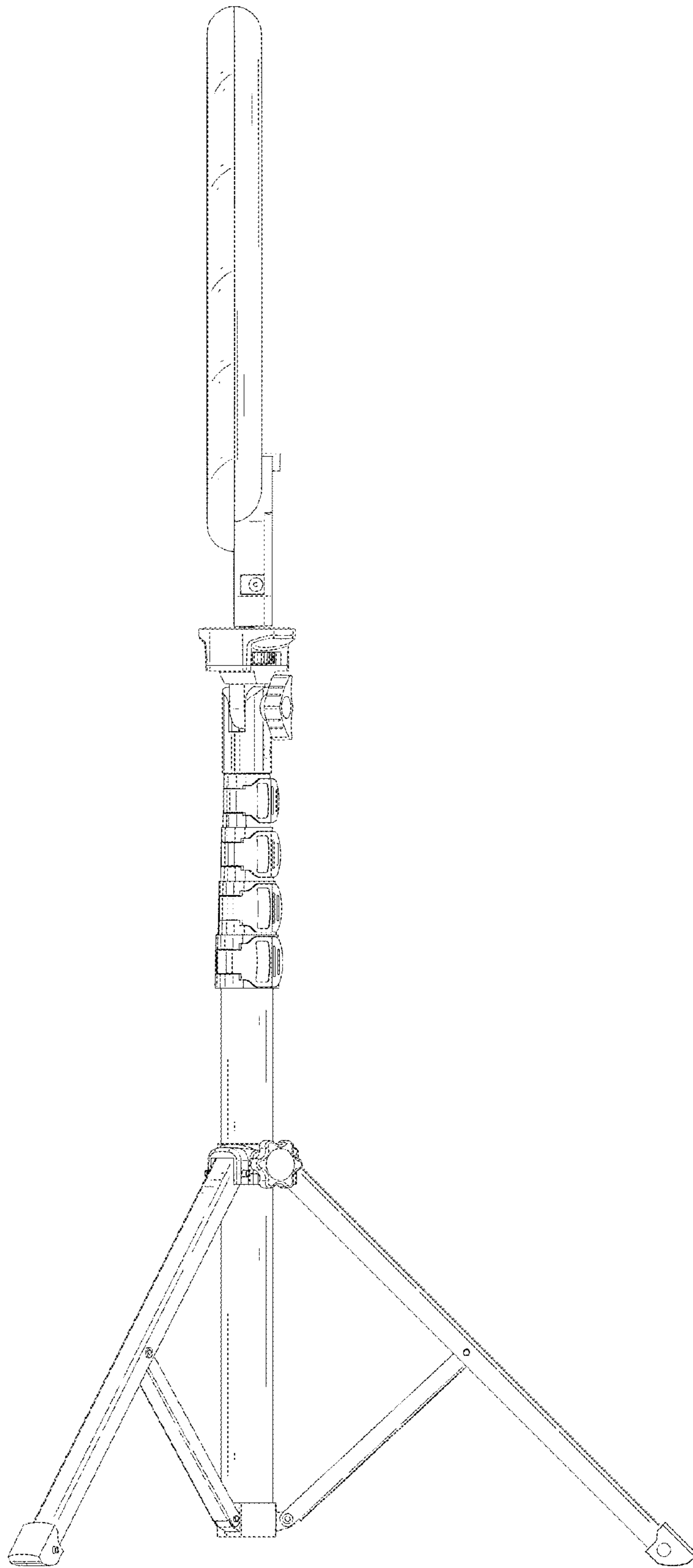


FIG. 6



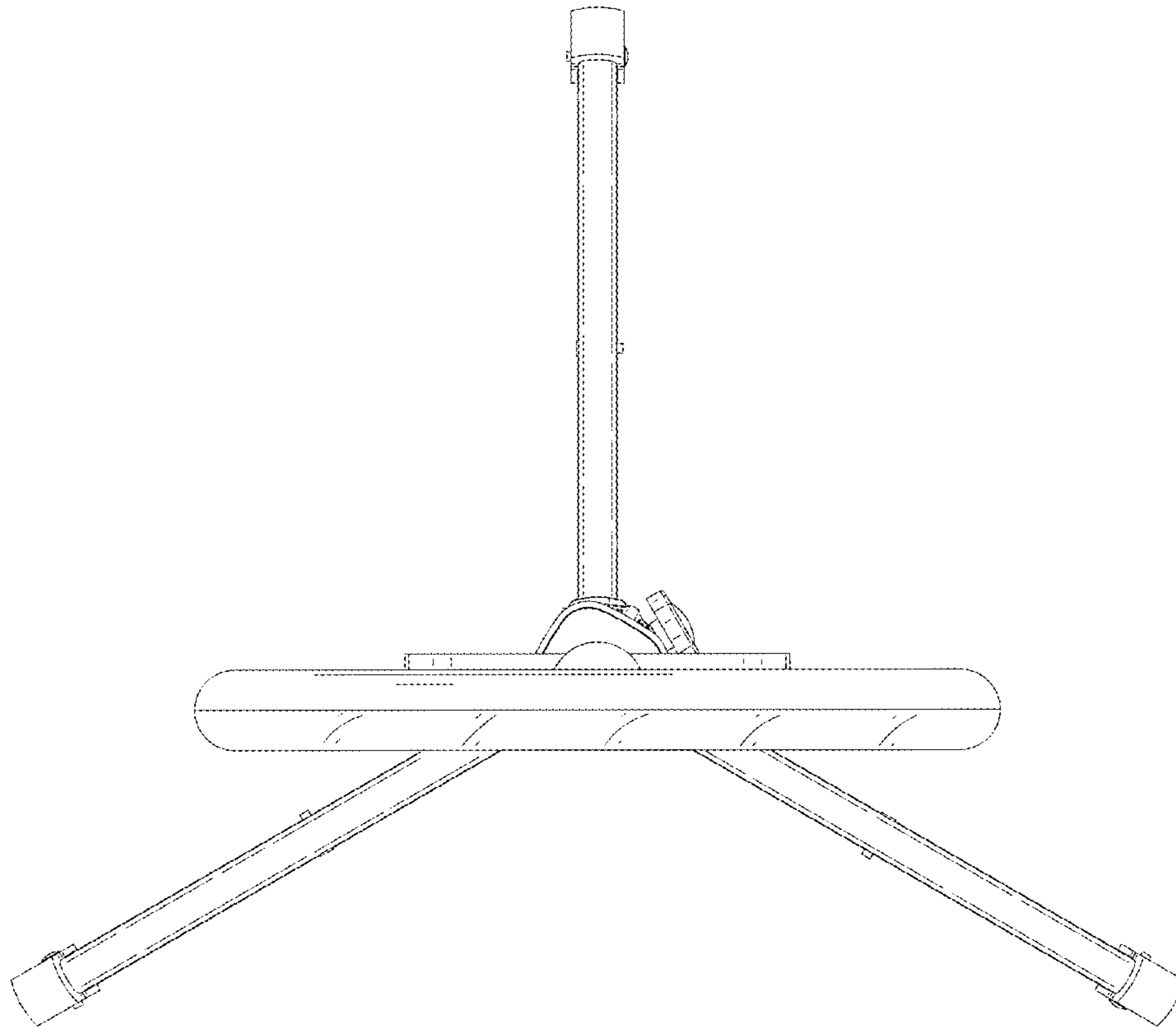


FIG. 7

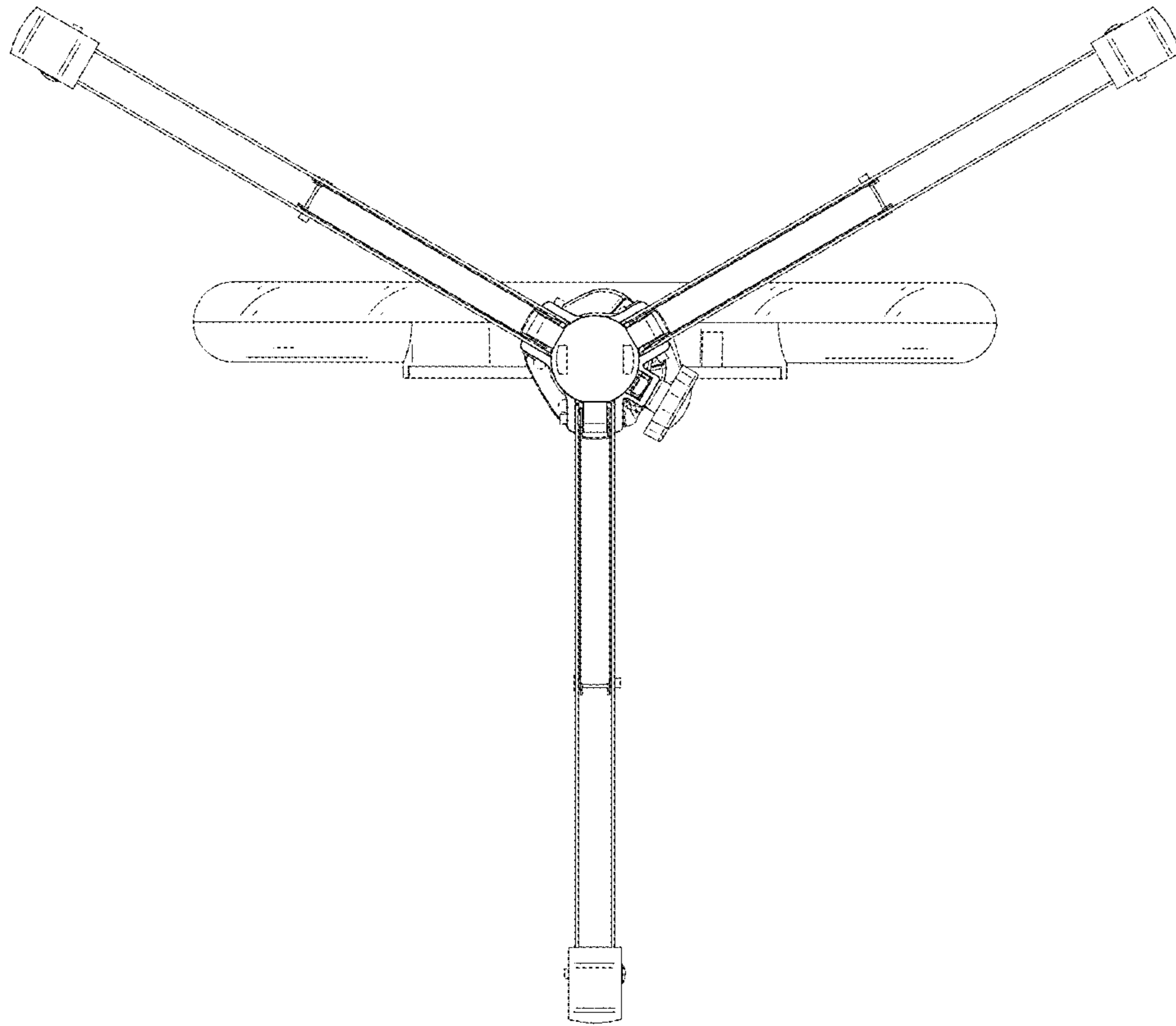


FIG. 8

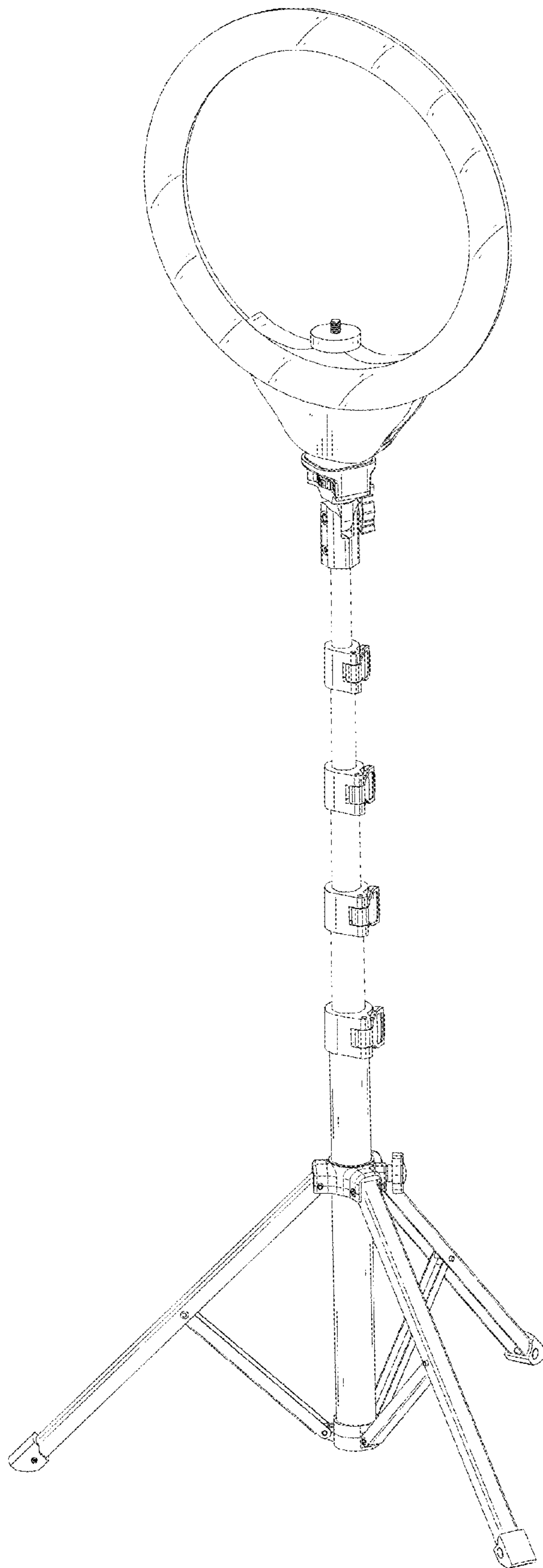


FIG. 9

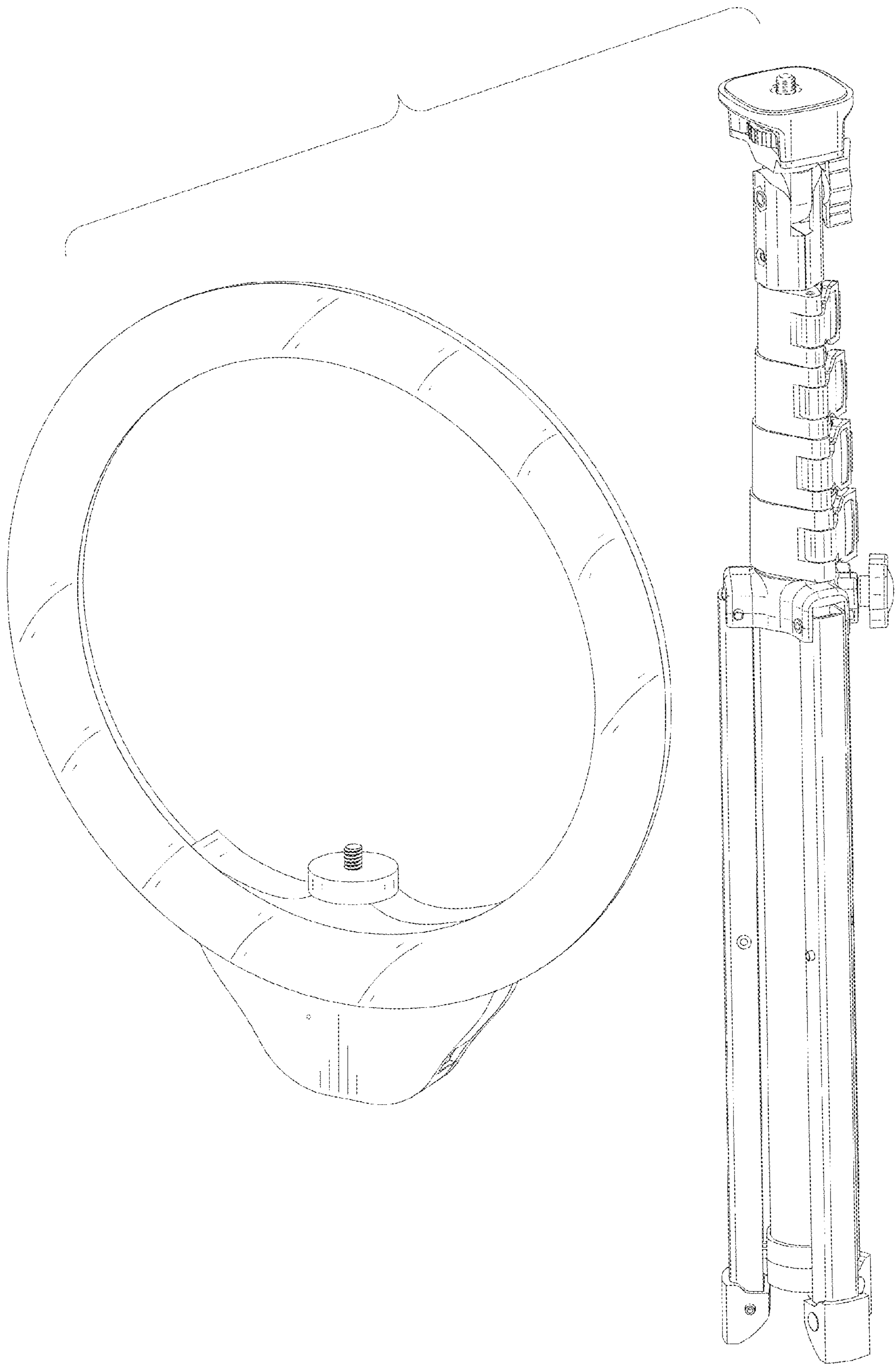


FIG. 10