



US00D929023S

(12) **United States Design Patent** (10) **Patent No.:** **US D929,023 S**
Xiao (45) **Date of Patent:** **** Aug. 24, 2021**

(54) **LED RING LIGHT WITH TRIPOD STAND**

(71) Applicant: **AMAKIN INC**, Frankfort, KY (US)

(72) Inventor: **Li Xiao**, Prestonsburg, KY (US)

(73) Assignee: **AMAKIN INC**, Frankfort, KY (US)

(**) Term: **15 Years**

(21) Appl. No.: **29/752,360**

(22) Filed: **Sep. 27, 2020**

(51) **LOC (13) Cl.** **26-05**

(52) **U.S. Cl.**

USPC **D26/106**; D16/244

(58) **Field of Classification Search**

USPC D26/49, 60, 63, 72, 79, 85, 89, 92, 93,
D26/104, 106, 111, 118, 123, 124, 138;
D16/136, 237, 239, 244, 245, 250;
D28/9, 15, 16, 17, 99; D14/253; D8/71,
D8/72

CPC F21V 21/00; F21V 21/14; F21V 21/30;
F21V 21/096; F21V 1/00; F21V 1/12;
F21V 17/06; F21V 15/01; F21V 14/00;
F21V 14/02; G03B 2215/0575; G03B
2215/0539; G03B 2215/0592; G03B
2215/0589; G03B 15/03; G03B 15/05;
A45F 2200/0508-0533; F21K 5/00; F21K
5/02; F21S 8/003; F21S 8/043

See application file for complete search history.

(56) **References Cited**

U.S. PATENT DOCUMENTS

D250,968 S *	1/1979	Combest	D26/152
D580,580 S *	11/2008	Lodhie	D26/67
D611,178 S *	3/2010	Waring	D26/34
D617,035 S *	6/2010	Sabernig	D26/89
D712,073 S *	8/2014	Hirabayashi	D26/2
D855,242 S *	7/2019	Chen	D26/106
D860,485 S *	9/2019	Yu	D26/24
D872,348 S *	1/2020	Liu	D26/106
D907,836 S *	1/2021	Zhou	D26/106

D909,456 S *	2/2021	Xiao	D16/244
D909,649 S *	2/2021	Chu	D26/63
D910,220 S *	2/2021	Wang	D26/63
D910,221 S *	2/2021	Wang	D26/63
D916,173 S *	4/2021	Zeng	D16/244
D917,604 S *	4/2021	Zeng	D16/244
D920,421 S *	5/2021	Li	D16/244
D922,471 S *	6/2021	Li	D16/244

(Continued)

OTHER PUBLICATIONS

“iMartine LED Ring Light 8” with Tripod Stand and Phone Holder, Professional 2 Makeup Selfie Light Rings for Photography YouTube Video Vlog. [6 Lighting Modes] [360° Flexible Goose Neck] [2700K-6000K], Retrieved Sep. 24, 2020. Retrieved from Internet, <https://www.amazon.com/iMartine-Lighting-Flexible-Hundreds-Brightness/dp/B07W96G7F7/>.

Primary Examiner — Wan Laymon

Assistant Examiner — Clint A Samuel

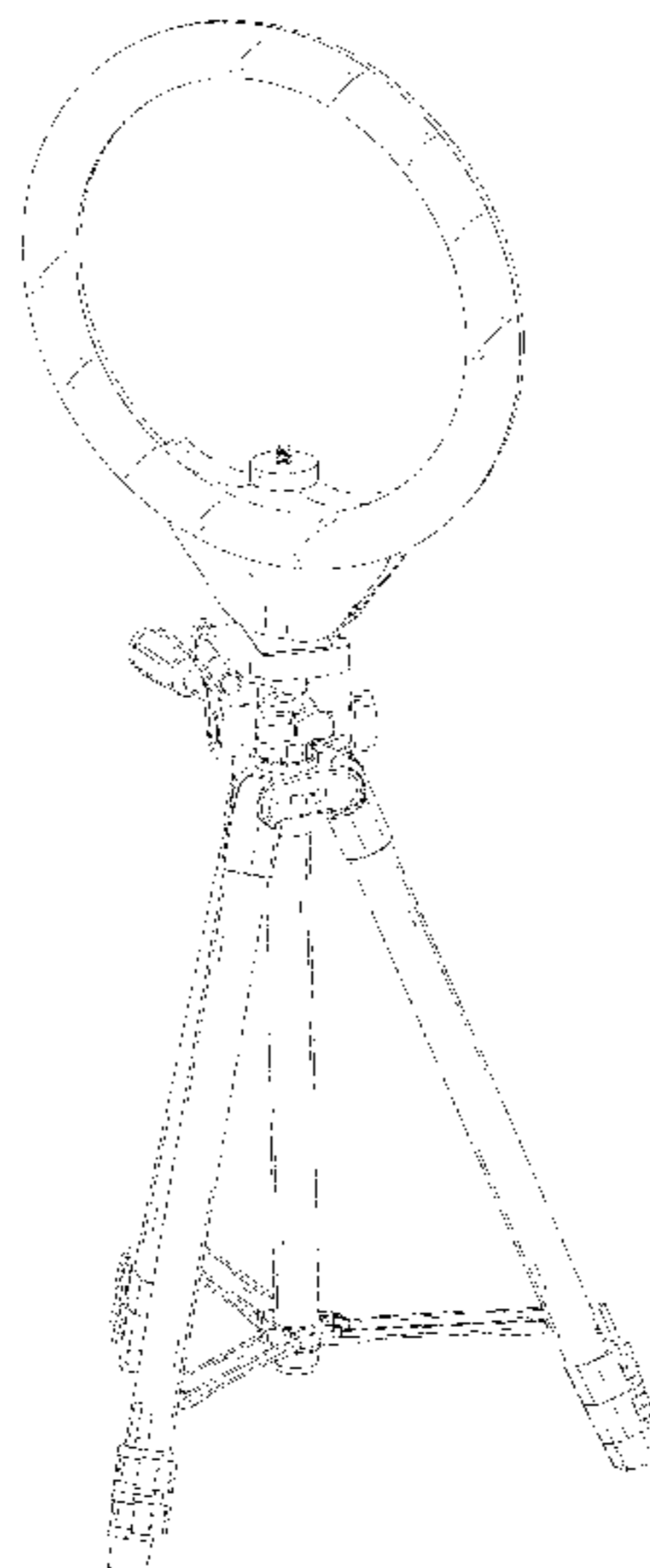
(57) **CLAIM**

The ornamental design for a LED ring light with tripod stand, as shown and described.

DESCRIPTION

FIG. 1 is a perspective view of an LED ring light with tripod stand showing my new design;
FIG. 2 is another perspective view thereof;
FIG. 3 is a front elevational view thereof;
FIG. 4 is a rear elevational view thereof;
FIG. 5 is a left side elevational view thereof;
FIG. 6 is a right side elevational view thereof;
FIG. 7 is a top plan view thereof;
FIG. 8 is a bottom plan view thereof; and,
FIG. 9 is an exploded perspective view of the LED ring light with tripod stand in a closed configuration.
The broken lines in the drawings depict portions of the LED ring light with tripod stand that form no part of the claimed design.

1 Claim, 9 Drawing Sheets



(56)

References Cited

U.S. PATENT DOCUMENTS

D924,454 S * 7/2021 Xiong D26/51
2016/0069548 A1* 3/2016 Wessel F21S 9/02
362/183
2019/0003699 A1* 1/2019 Mondora F21V 33/004
2020/0281054 A1* 9/2020 Li H05B 45/10
2021/0180783 A1* 6/2021 Frydenger F21V 23/003

* cited by examiner

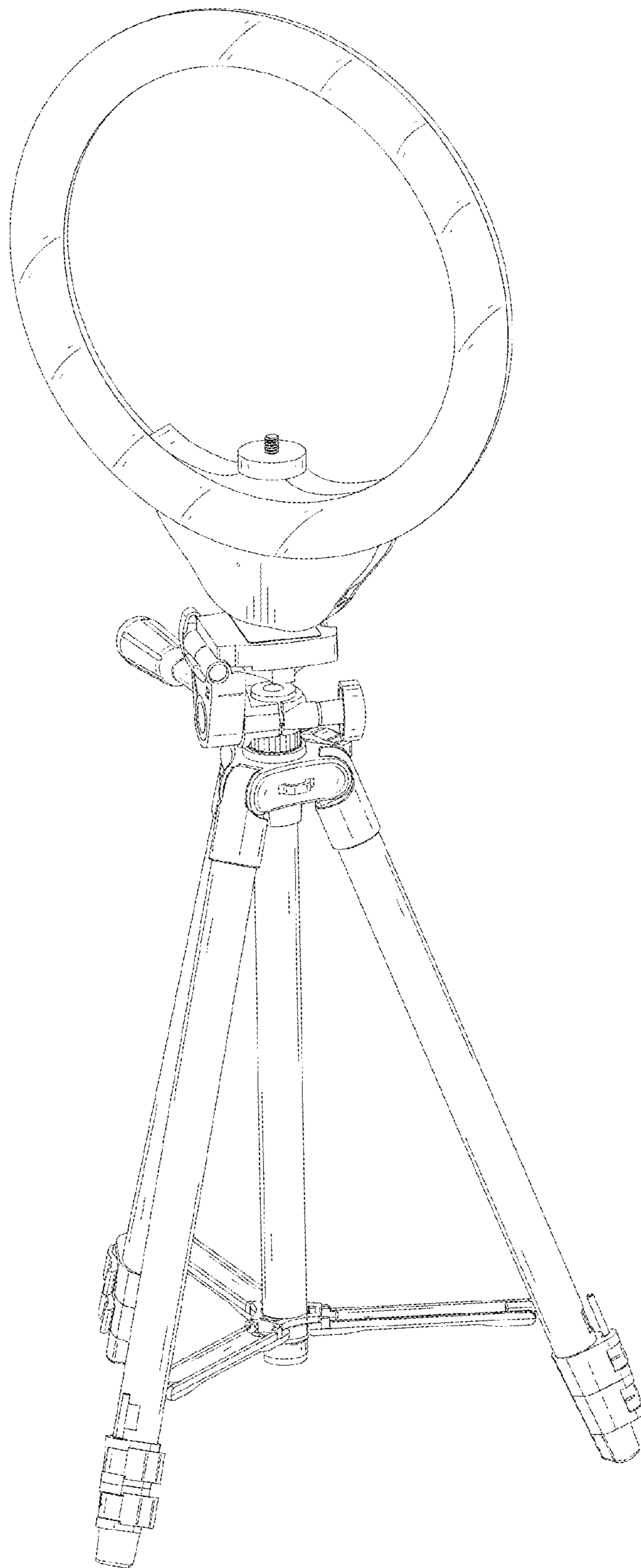


FIG. 1

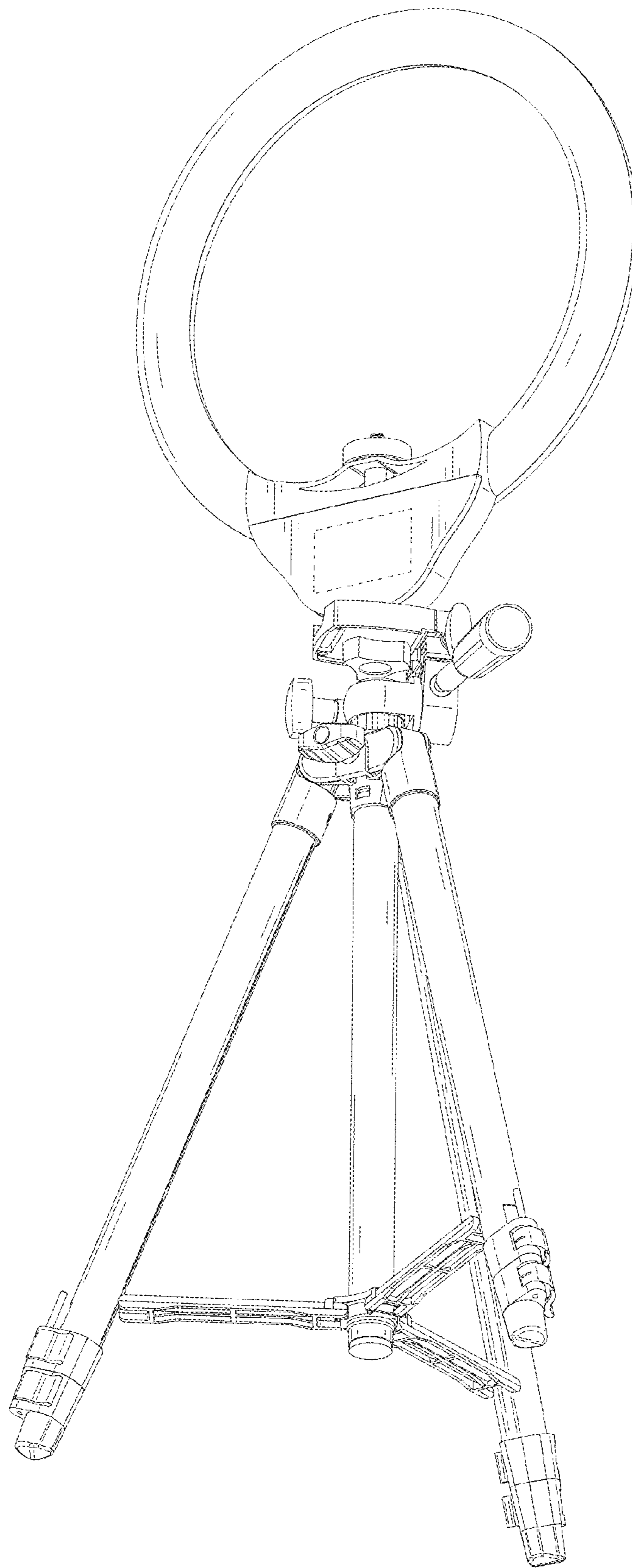


FIG. 2

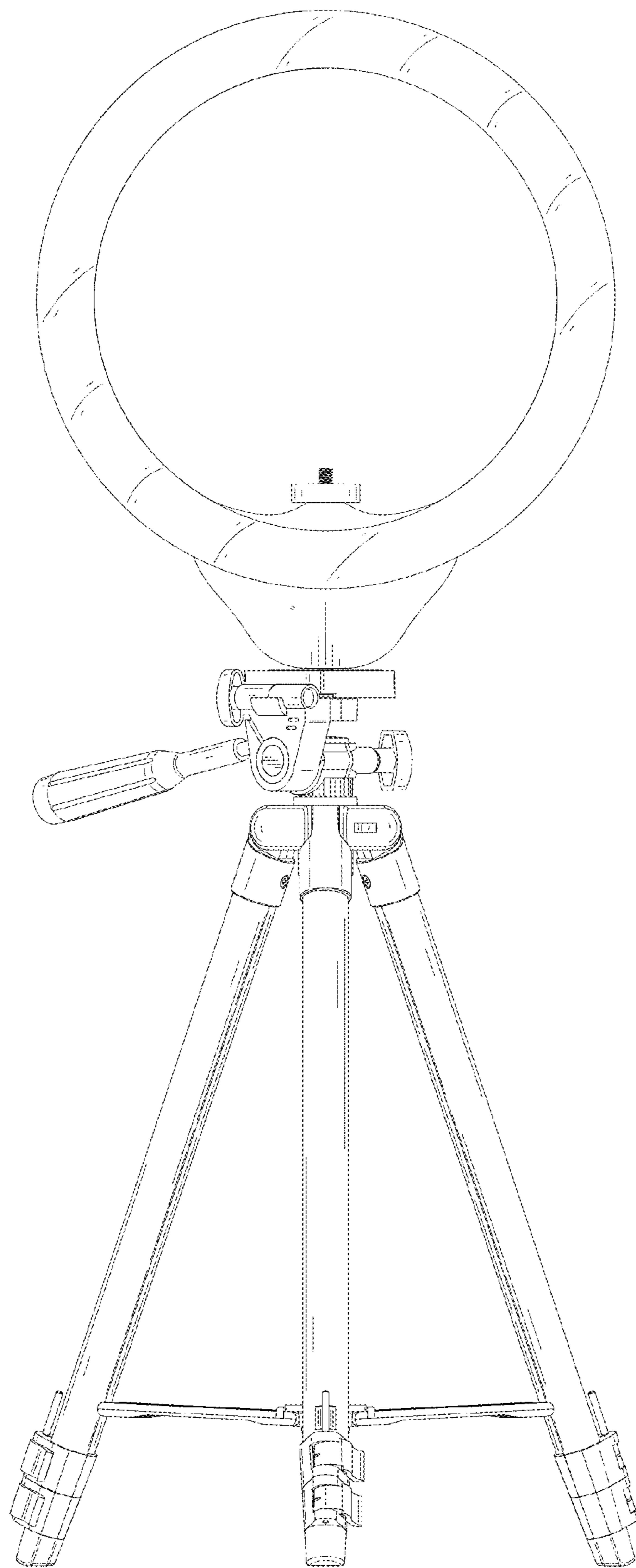


FIG. 3

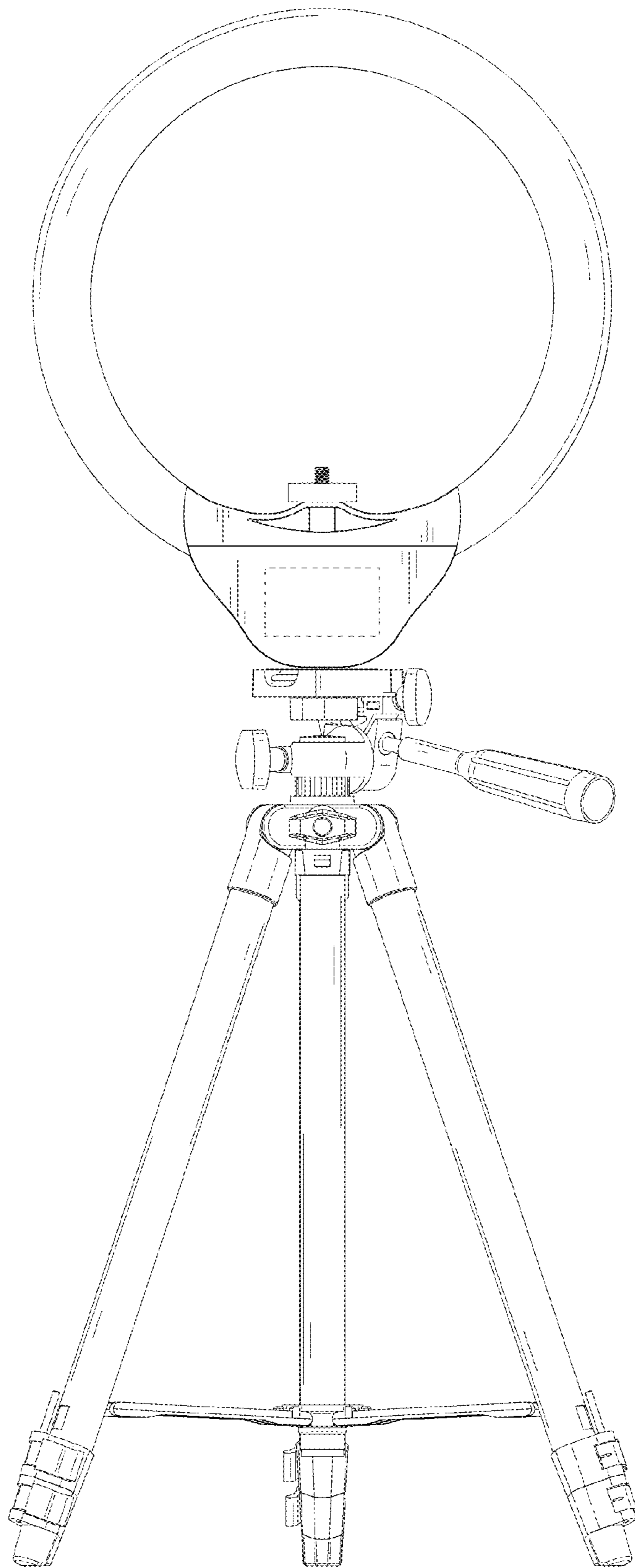


FIG. 4

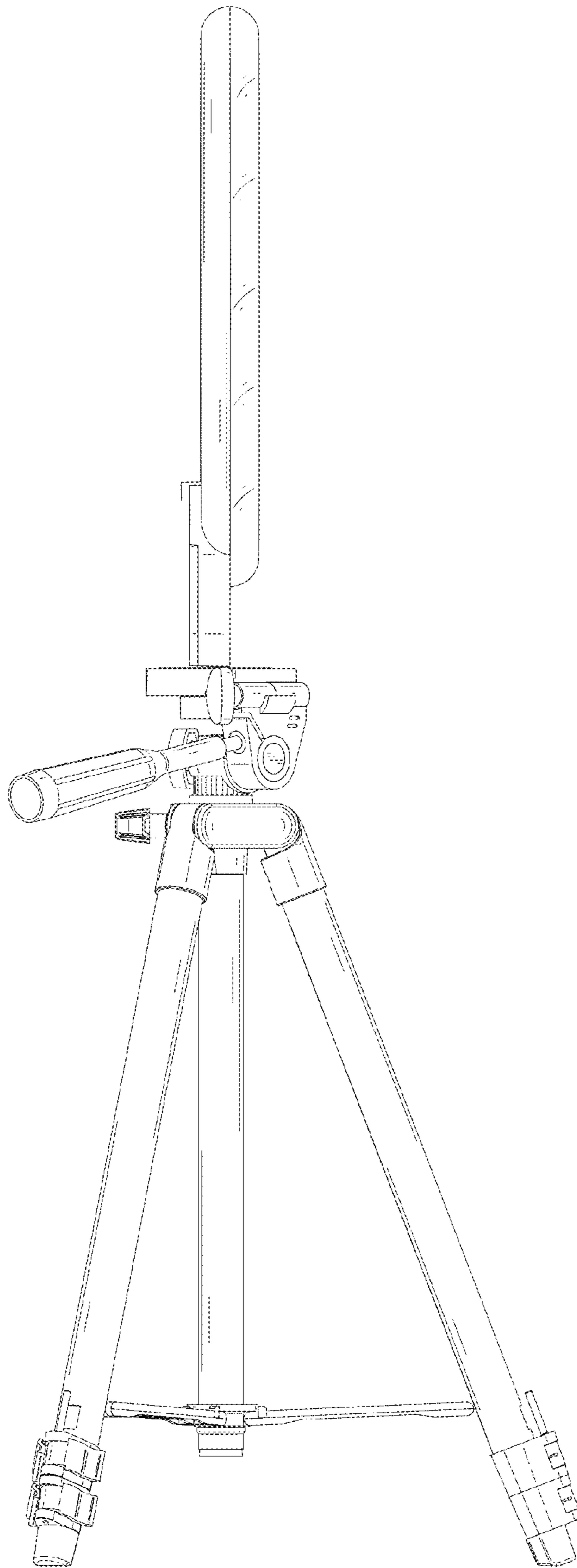


FIG. 5

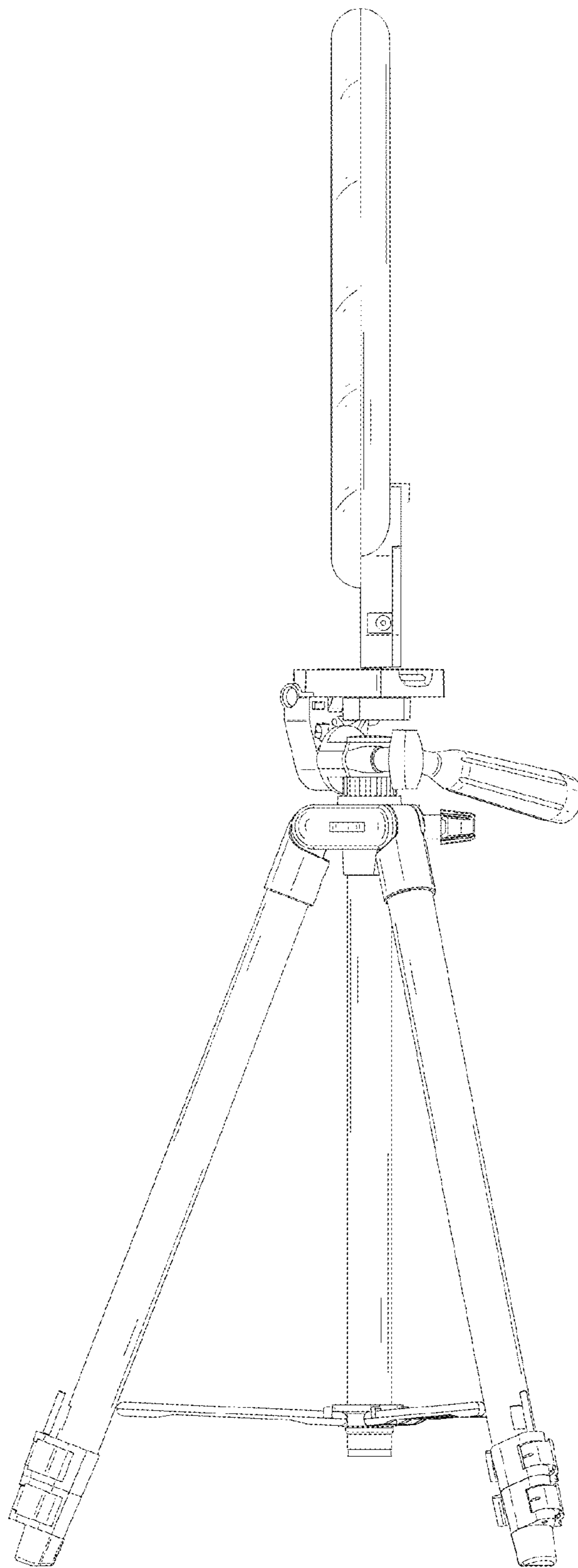


FIG. 6

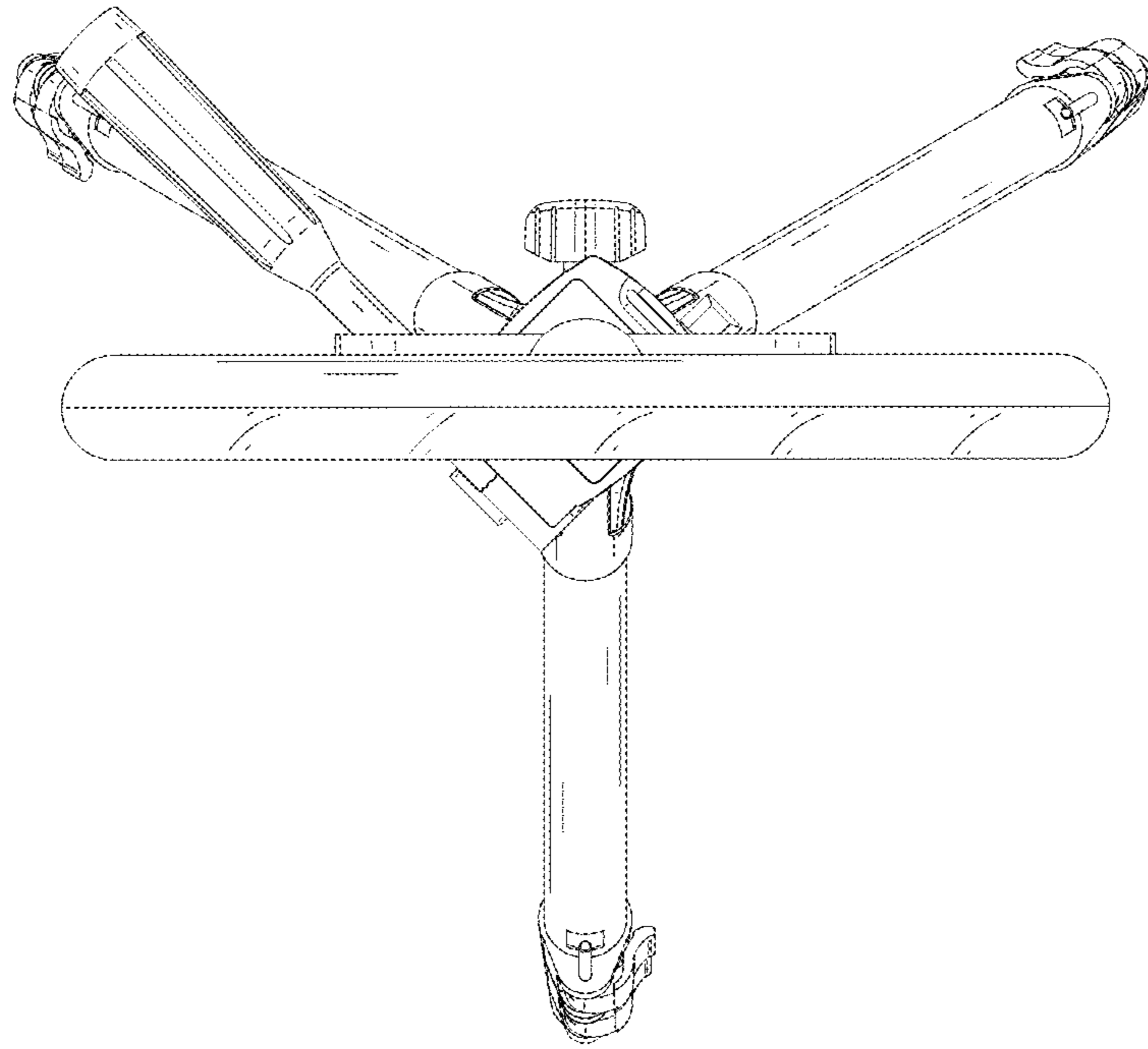


FIG. 7

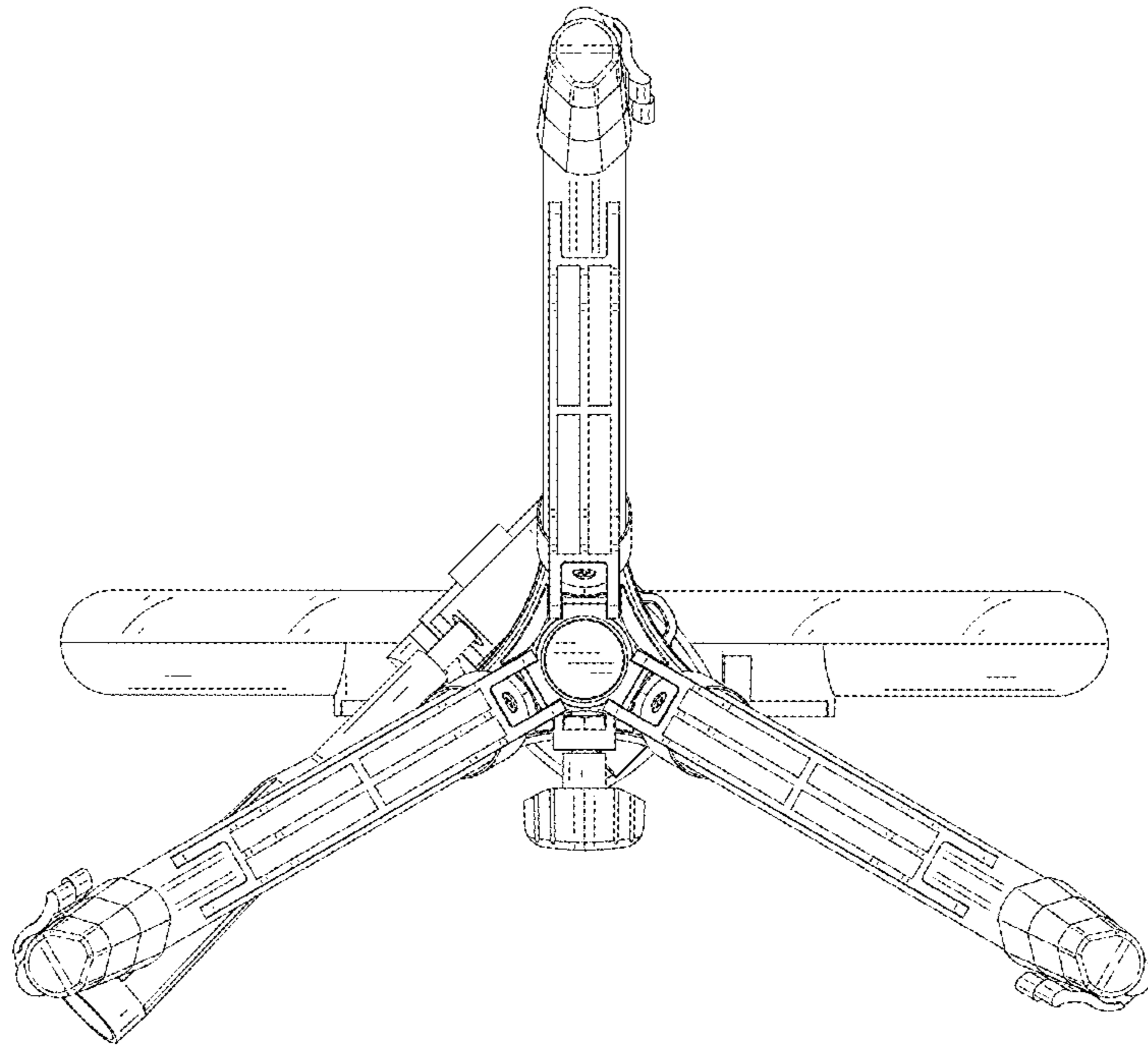


FIG. 8

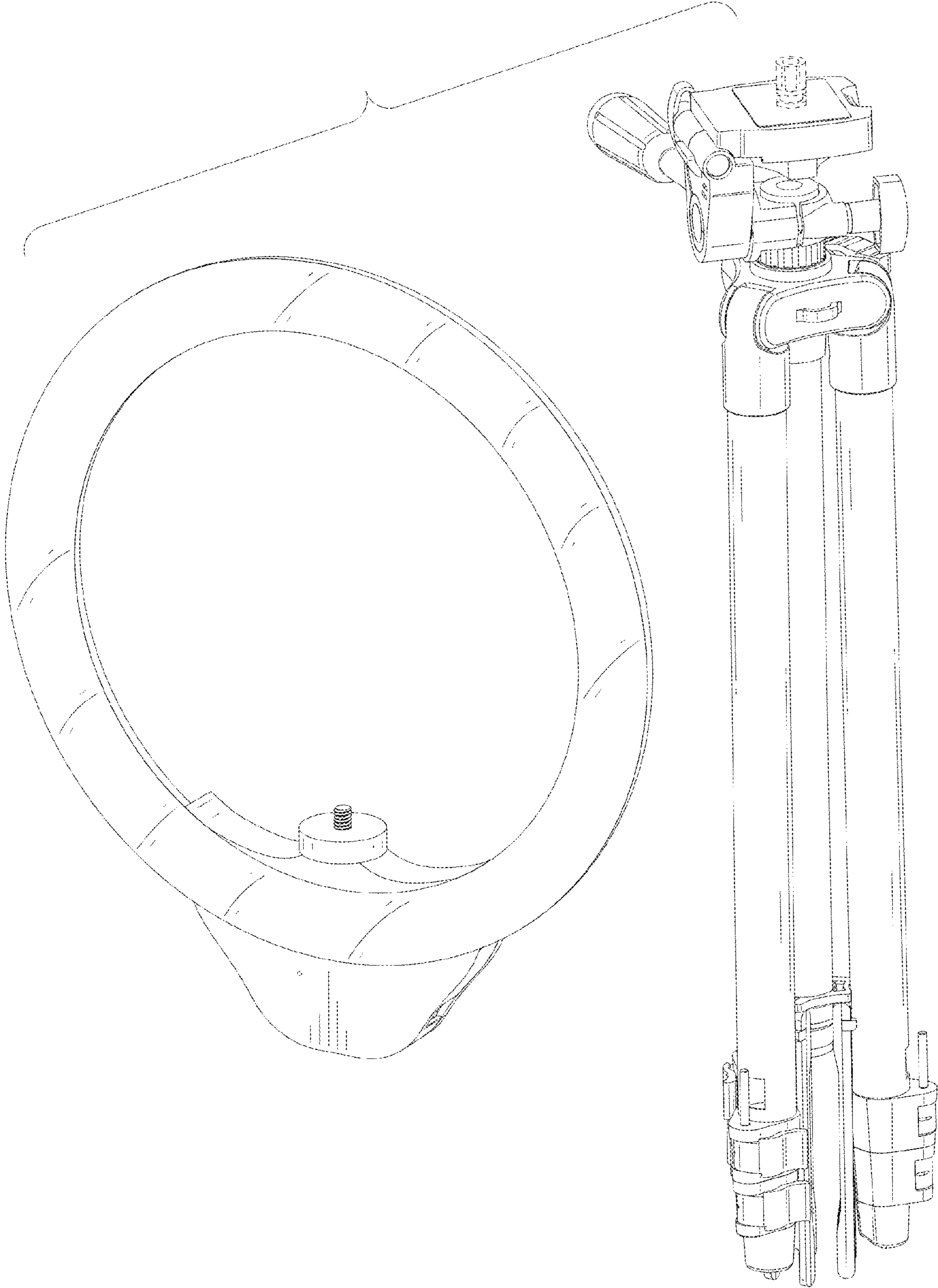


FIG. 9