



US00D929022S

(12) **United States Design Patent** (10) **Patent No.:** **US D929,022 S**  
**Tang** (45) **Date of Patent:** **\*\* Aug. 24, 2021**

(54) **GROW LIGHT WITH STAND**  
(71) Applicant: **Songjie Tang**, Guangdong (CN)  
(72) Inventor: **Songjie Tang**, Guangdong (CN)  
(\*\*) Term: **15 Years**  
(21) Appl. No.: **29/746,245**  
(22) Filed: **Aug. 12, 2020**  
(51) **LOC (13) Cl.** ..... **26-05**  
(52) **U.S. Cl.**  
USPC ..... **D26/106; D26/102**  
(58) **Field of Classification Search**  
USPC ..... D26/13, 25, 34, 38, 42, 60, 72, 76, 78,  
D26/80, 84, 102, 106, 111, 118, 120, 138,  
D26/150; D16/237, 239, 244, 245, 250;  
D18/40  
CPC .. F21S 8/081; F21S 8/083; F21S 8/085; F21S  
8/088; F21S 6/005; F21V 3/0445; F21V  
21/32; F21Y 2103/00; F21Y 2103/01;  
F21W 2131/103; F21W 2131/109  
See application file for complete search history.

(56) **References Cited**

U.S. PATENT DOCUMENTS

2,976,399	A *	3/1961	Christy	.....	F21V 23/026 362/221
D469,462	S *	1/2003	Onodera	.....	D18/40
D637,752	S	5/2011	Mekhtarian		
D711,573	S *	8/2014	Payne	.....	D26/42
D796,730	S *	9/2017	Sonneman	.....	D26/118
D805,669	S *	12/2017	Noga	.....	D26/51
D811,635	S *	2/2018	Urry	.....	D26/42
D822,881	S	7/2018	Drew et al.		
D875,286	S *	2/2020	Noga	.....	D26/42
D878,654	S *	3/2020	Lin	.....	D26/60

D880,048	S	3/2020	Zhu		
D884,260	S *	5/2020	Soofer	.....	D26/138
D895,716	S *	9/2020	Chen	.....	D16/244
D917,604	S *	4/2021	Zeng	.....	D16/244
D919,874	S *	5/2021	Tang	.....	D26/106
D921,255	S *	6/2021	Jia	.....	D26/60
D921,278	S *	6/2021	Tang	.....	D26/106
2008/0192476	A1 *	8/2008	Hiratsuka	.....	F21V 7/0083 362/285
2011/0012531	A1 *	1/2011	Zheng	.....	F21S 2/00 315/294
2012/0188756	A1 *	7/2012	Kokoski	.....	F21V 29/763 362/217.05
2019/0208606	A1 *	7/2019	Tang	.....	F21S 4/28
2019/0366498	A1 *	12/2019	Wang	.....	B23Q 17/2404

\* cited by examiner

*Primary Examiner* — Wan Laymon  
*Assistant Examiner* — Clint A Samuel  
(74) *Attorney, Agent, or Firm* — ScienBiziP, P.C.

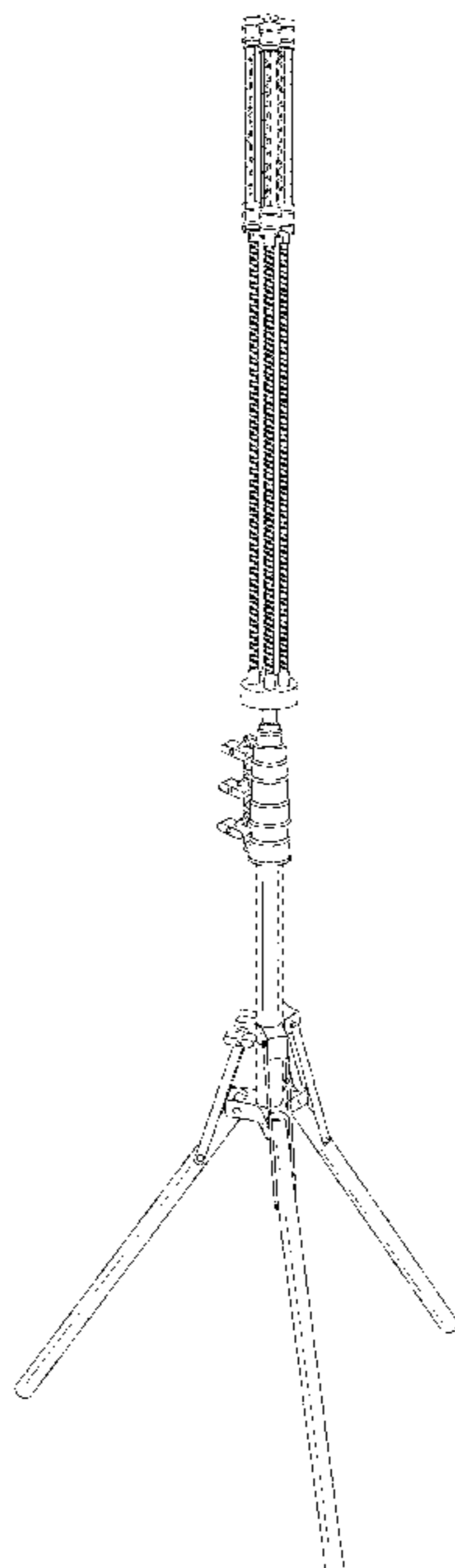
(57) **CLAIM**

The ornamental design for a grow light with stand, as shown and described.

**DESCRIPTION**

FIG. 1 is a front perspective view of a grow light with stand, showing my design.  
FIG. 2 is a front elevation view thereof.  
FIG. 3 is a rear elevation view thereof.  
FIG. 4 is a left side elevation view thereof.  
FIG. 5 is a right side elevation view thereof.  
FIG. 6 is a top plan view thereof; and,  
FIG. 7 is a bottom plan view thereof.  
The broken lines showing in the drawings are for the purpose of illustrating portions of the grow light with stand and form no part of the claimed design.

**1 Claim, 7 Drawing Sheets**



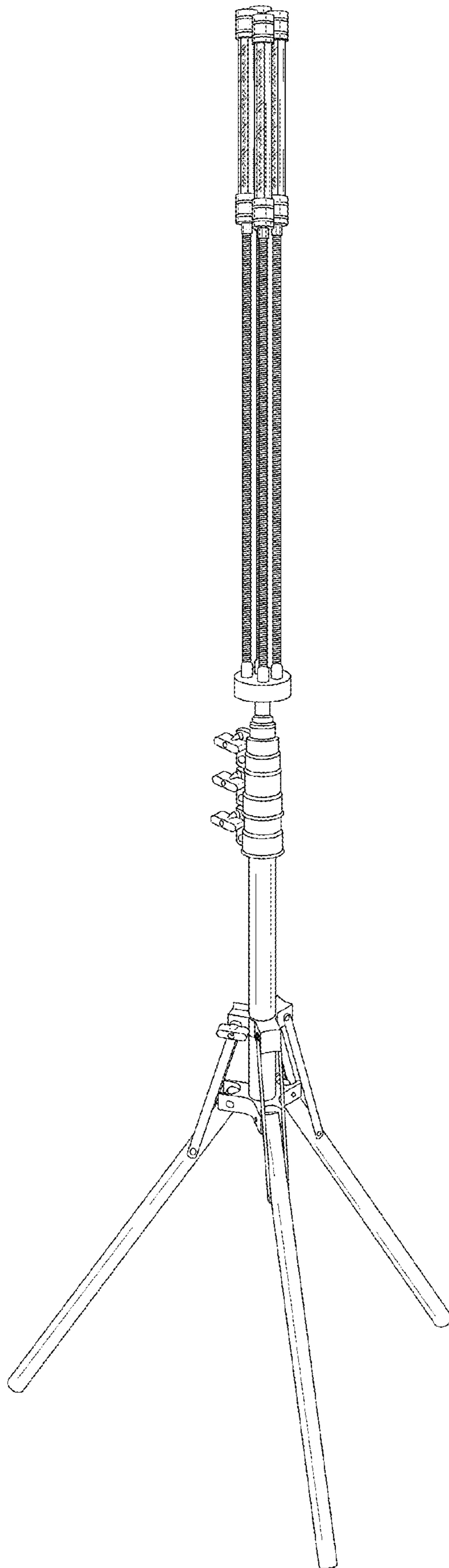


FIG.1

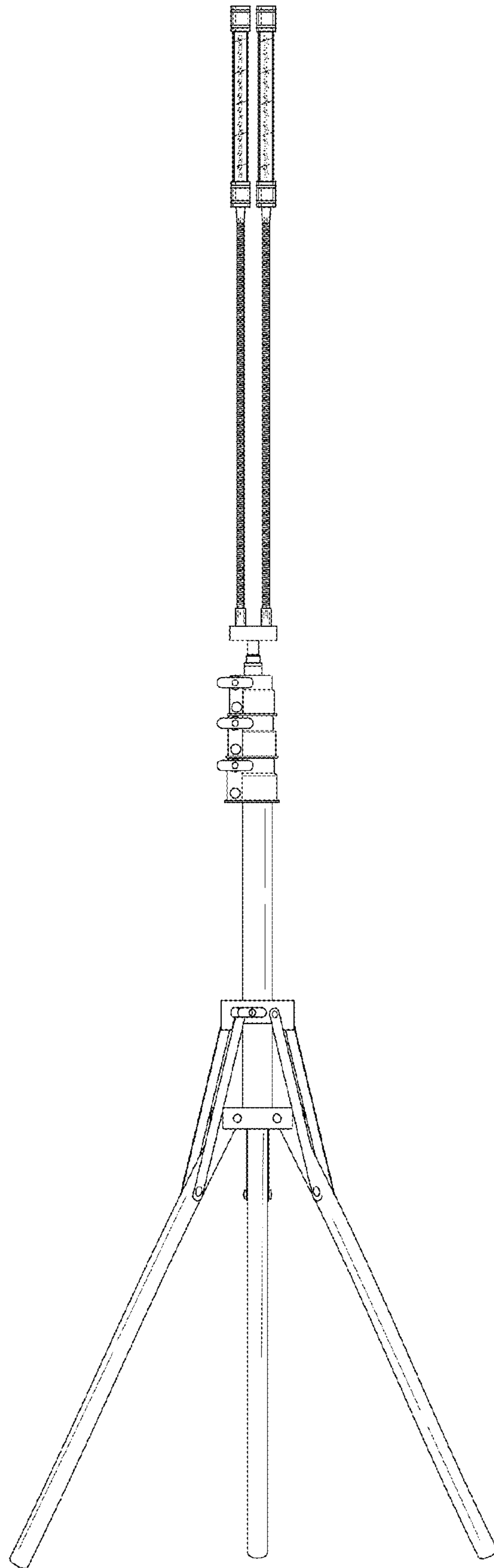


FIG.2

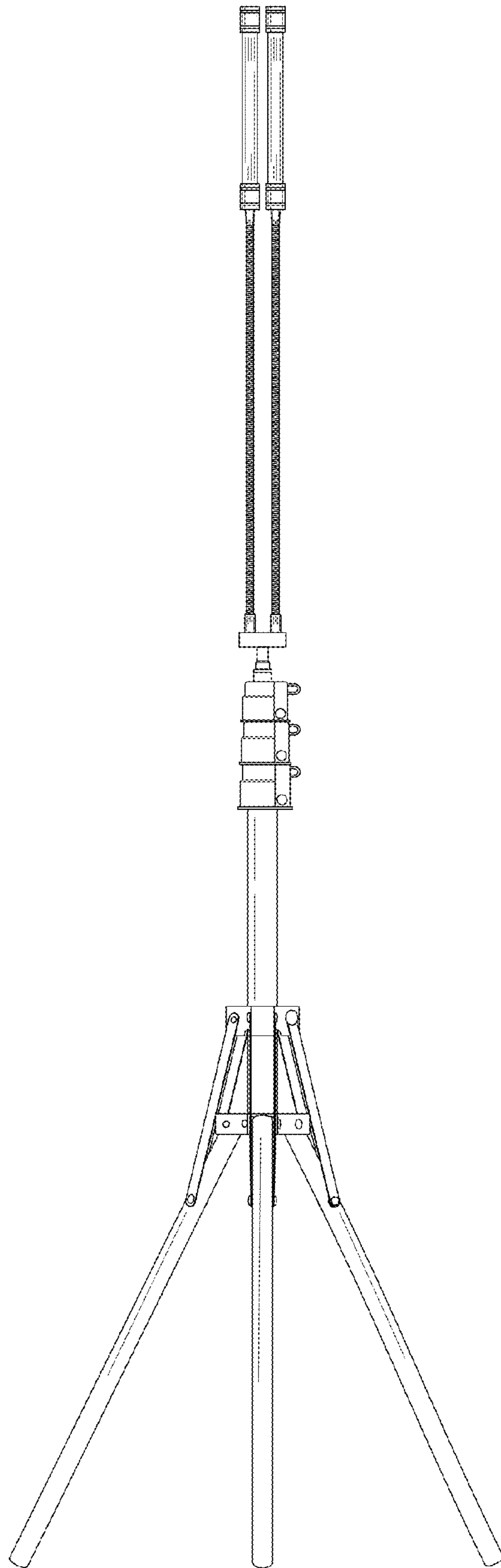


FIG.3

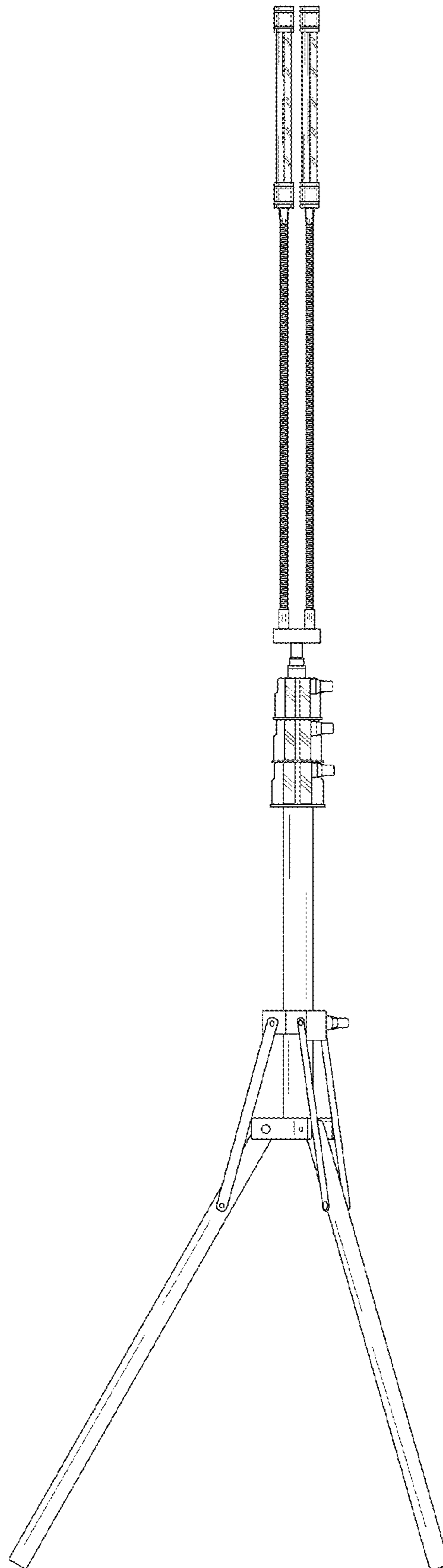


FIG.4

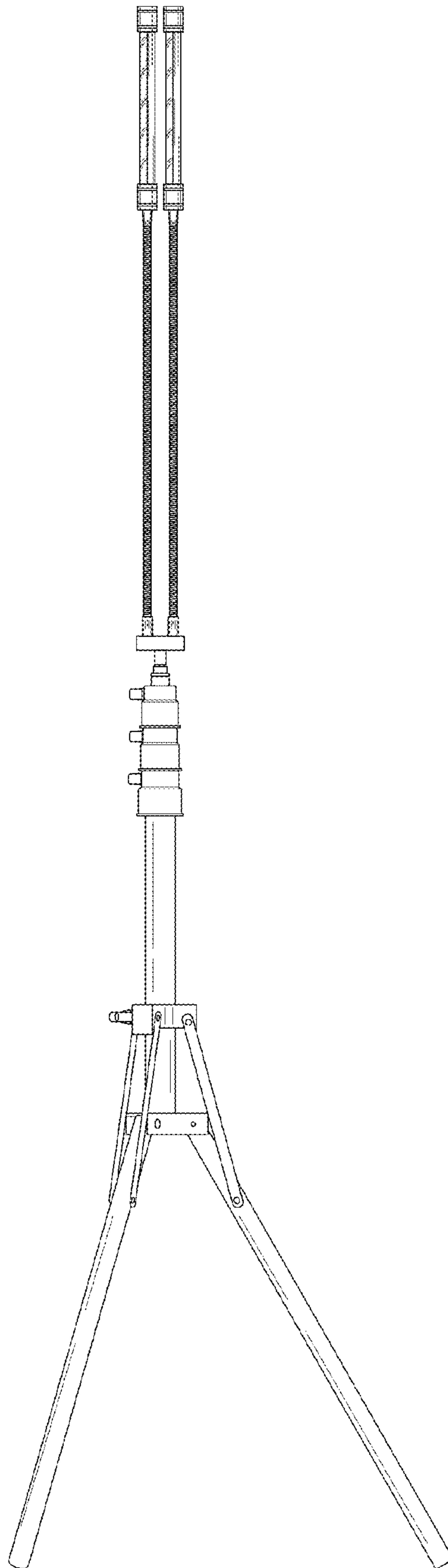


FIG.5

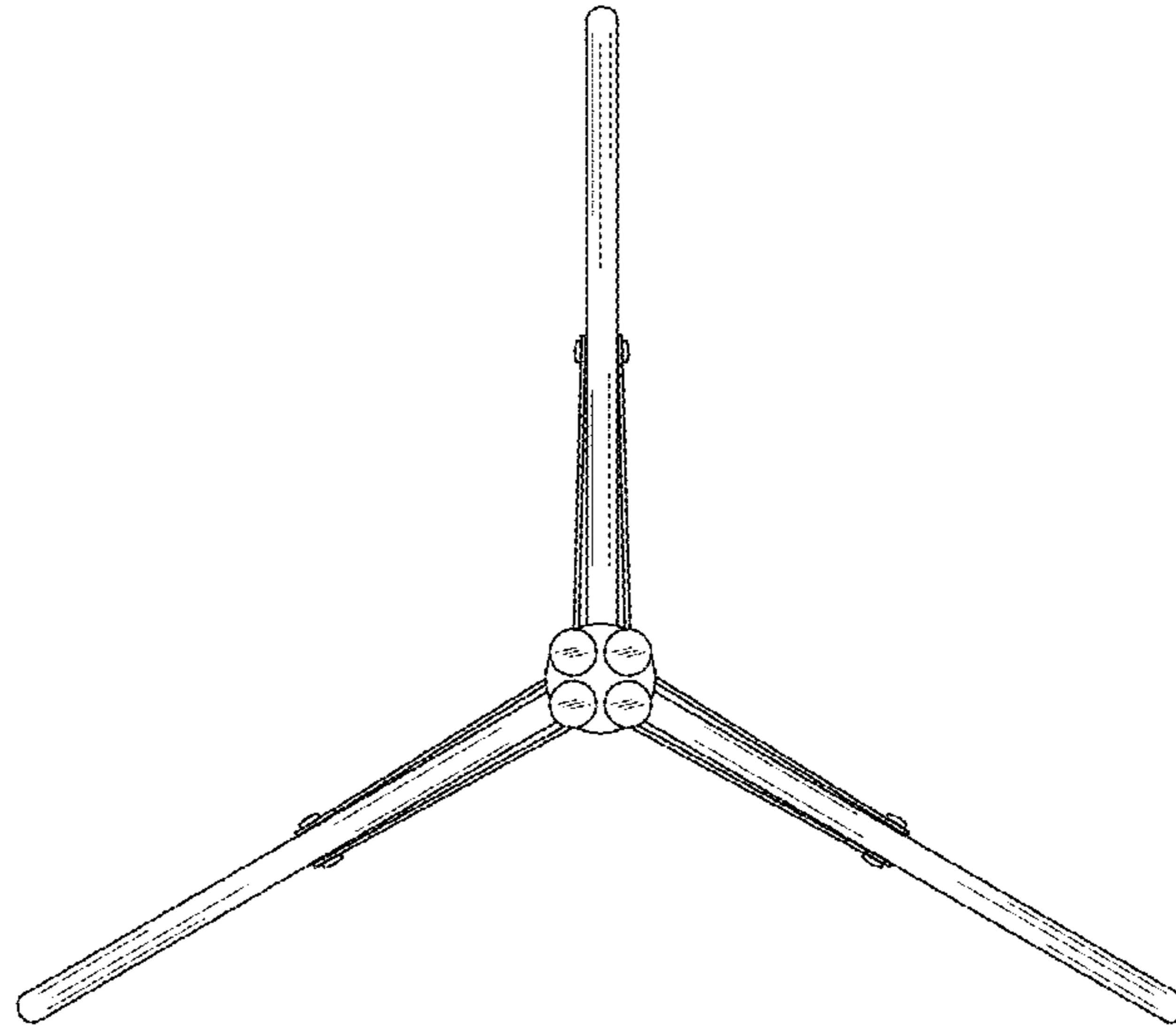


FIG.6

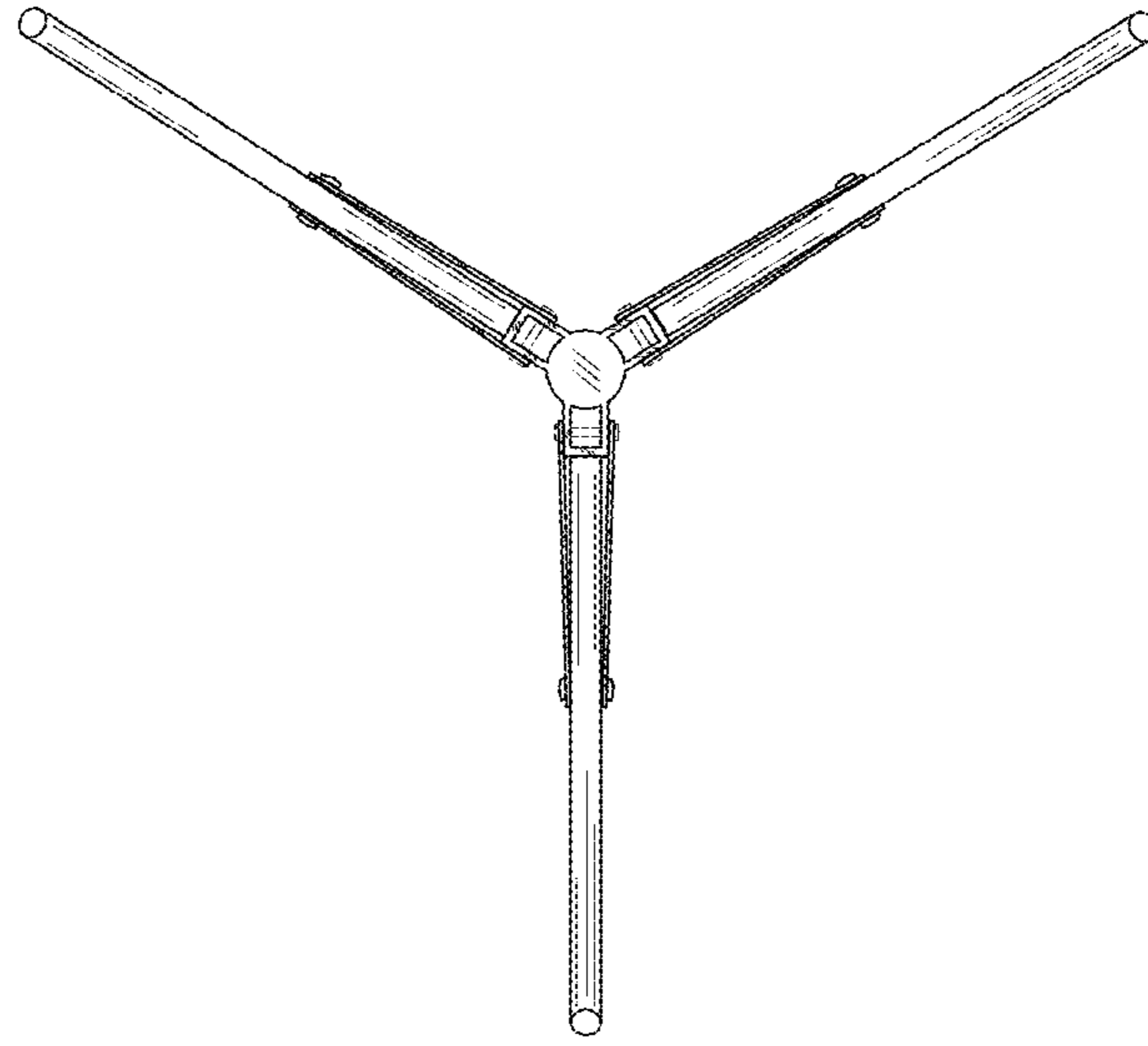


FIG.7