



US00D929021S

(12) **United States Design Patent** (10) **Patent No.:** **US D929,021 S**
Xu (45) **Date of Patent:** **** Aug. 24, 2021**

(54) **RING LIGHT**
(71) Applicant: **Lizhen Xu**, Shenzhen (CN)
(72) Inventor: **Lizhen Xu**, Shenzhen (CN)
(**) Term: **15 Years**
(21) Appl. No.: **29/737,216**
(22) Filed: **Jun. 7, 2020**
(51) **LOC (13) Cl.** **26-04**
(52) **U.S. Cl.**
USPC **D26/106**
(58) **Field of Classification Search**
USPC D26/1, 13, 34, 36, 42, 60, 61, 63, 65,
D26/102, 106, 111, 123, 124; D16/135,
D16/136, 237, 238, 244, 245, 250;
D14/144, 251, 252, 253; 362/3, 8, 12,
362/16, 317, 362
CPC F21S 8/02; F21S 8/03; F21S 8/04; F21S
8/081; F21S 8/085; F21S 8/088; F21S
6/005; F21S 4/22; F21S 4/28; F21Y
2103/00; F21Y 2103/33; F21W 2131/103;
F21W 2131/109; F21V 21/32; F21V 5/02;
F21V 5/043
See application file for complete search history.

(56) **References Cited**
U.S. PATENT DOCUMENTS
D475,800 S * 6/2003 Reisbord D26/65
D757,705 S * 5/2016 Esses D14/251
D808,572 S 1/2018 Zhang
D831,660 S * 10/2018 Yao D14/447
D845,960 S * 4/2019 Yao D14/447
D854,227 S 7/2019 Yu
D855,242 S * 7/2019 Chen D26/106
D868,054 S * 11/2019 Kim D14/253

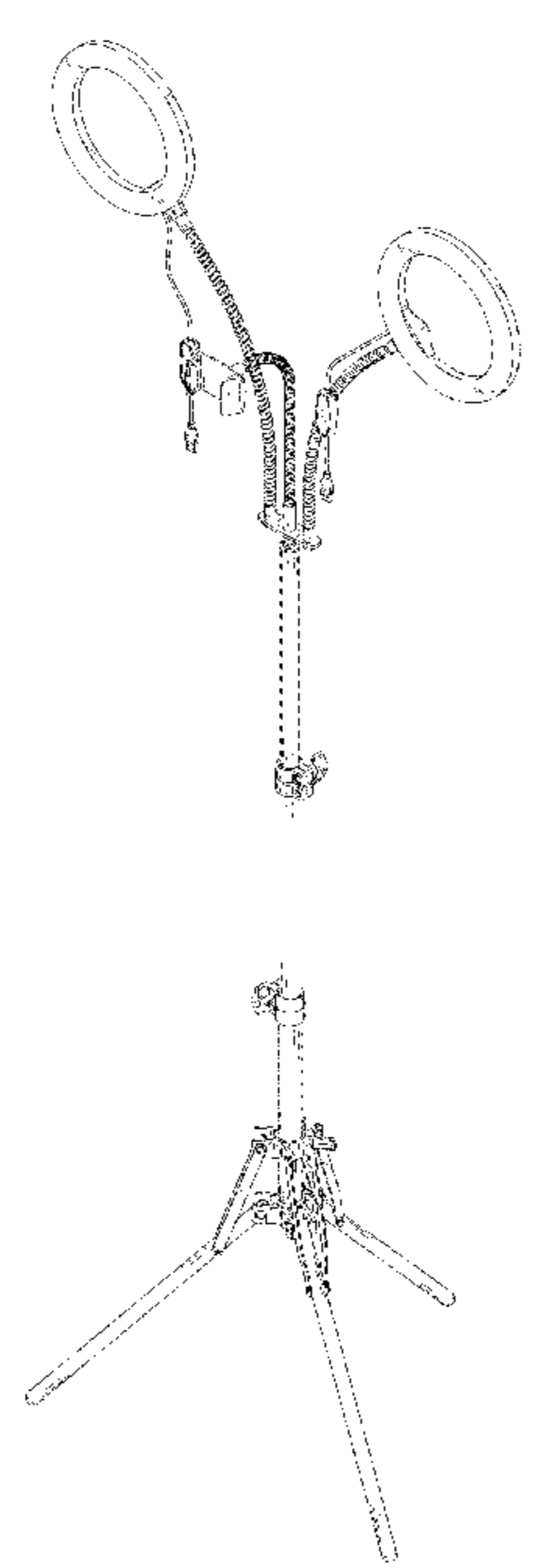
D872,348 S * 1/2020 Liu D26/106
D873,328 S * 1/2020 Shen D16/239
D877,392 S 3/2020 Yu
D879,358 S 3/2020 Du
D880,045 S 3/2020 Clarkson et al.
D880,048 S 3/2020 Zhu
D886,360 S 6/2020 Xu
D887,052 S * 6/2020 Xu D26/39
D887,590 S * 6/2020 Ke D26/1
D899,491 S * 10/2020 Chen D16/244

* cited by examiner
Primary Examiner — Wan Laymon
Assistant Examiner — Clint A Samuel
(74) *Attorney, Agent, or Firm* — Law Offices of Steven
W. Weinrieb

(57) **CLAIM**
The ornamental design for a ring light, as shown and
described.

DESCRIPTION
FIG. 1 is a front, right side, top perspective view of a ring
light showing my new design;
FIG. 2 is a rear, left side, bottom perspective view thereof;
FIG. 3 is a front elevational view thereof;
FIG. 4 is a rear elevational view thereof;
FIG. 5 is a left side elevational view thereof;
FIG. 6 is a right side elevational view thereof;
FIG. 7 is a top plan view thereof;
FIG. 8 is a bottom plan view thereof; and,
FIG. 9 is a front, right side, top perspective view thereof
showing that the lights are flexibly mounted upon flexible
arms so as to permit the lights to be moved to different
positions.
The broken lines in the drawings depict portions of the ring
light that form no part of the claimed design.

1 Claim, 9 Drawing Sheets



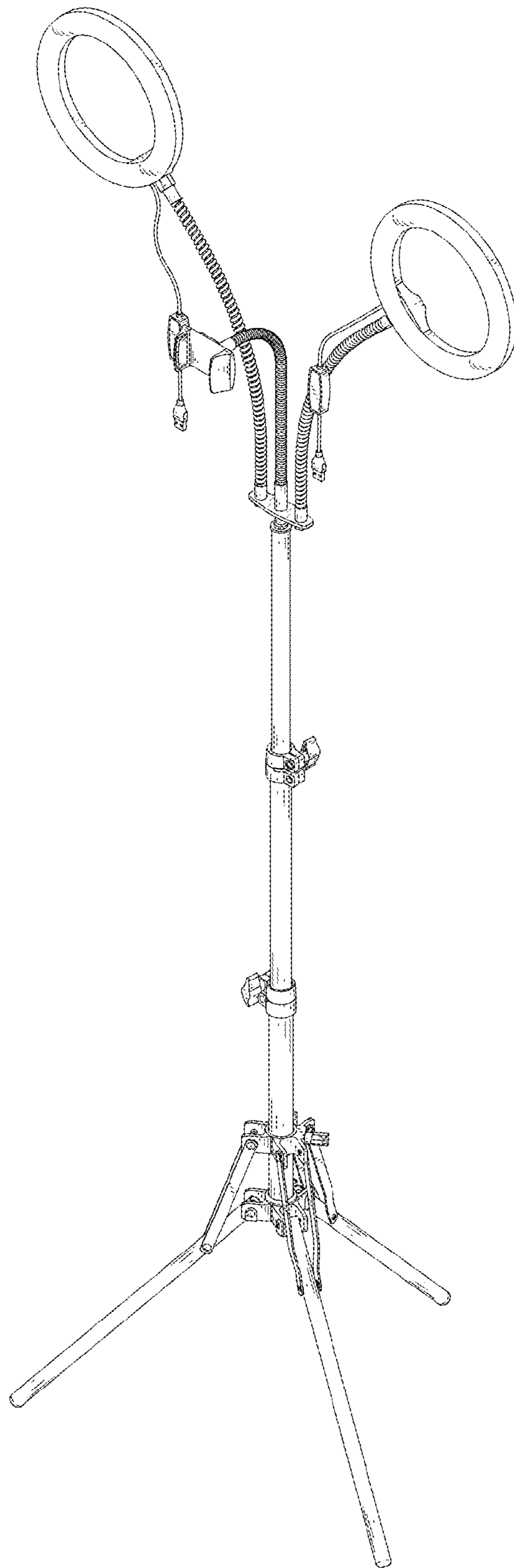


FIG. 1

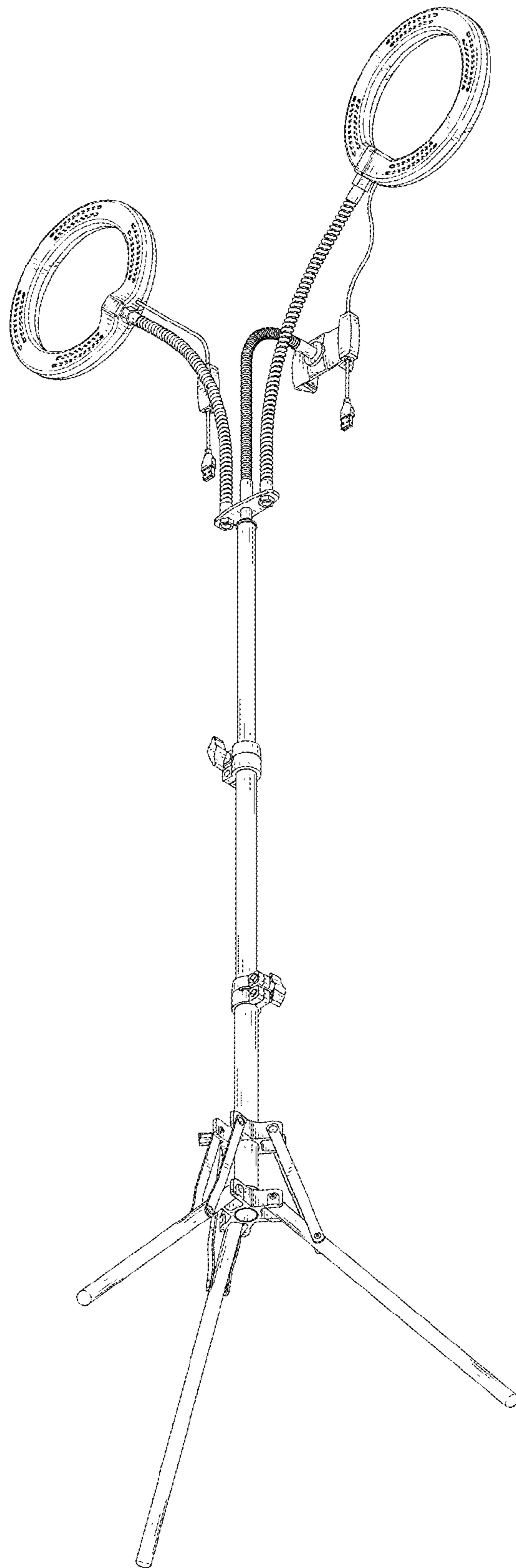


FIG. 2

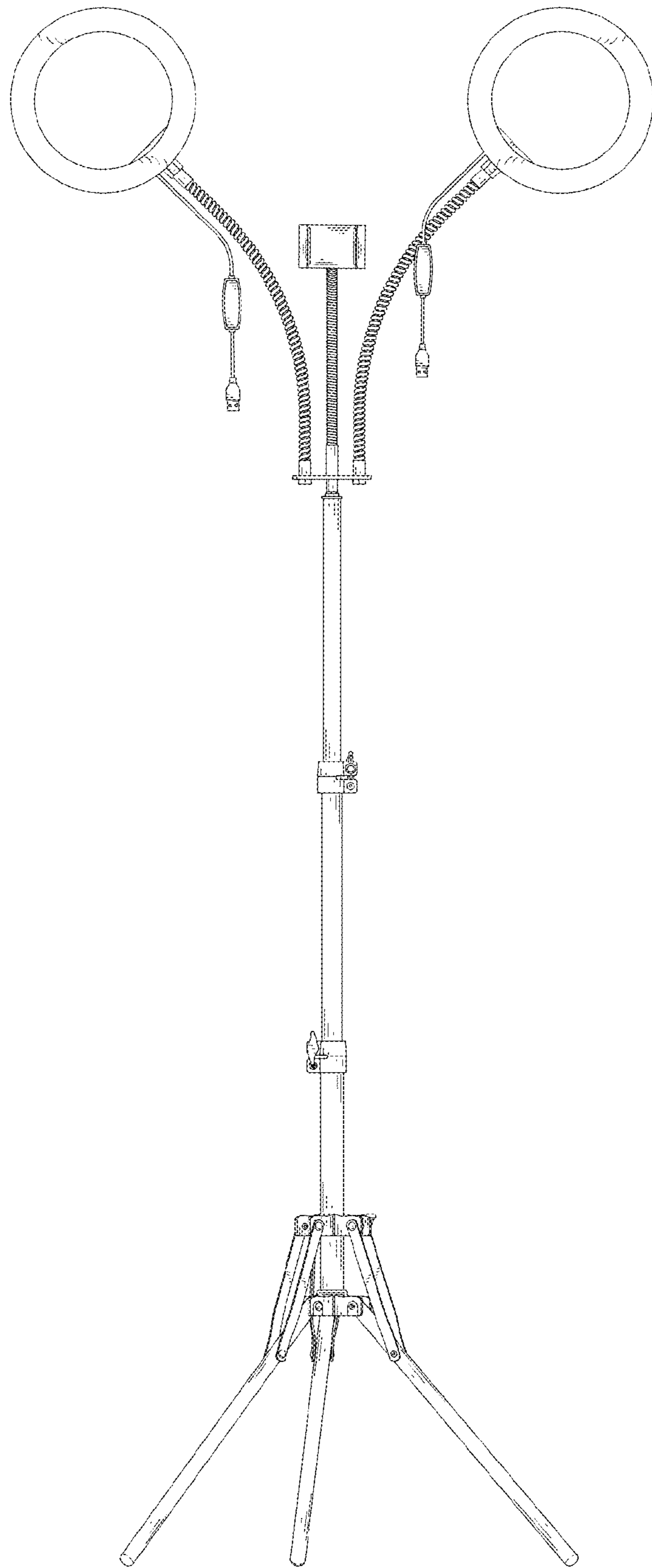


FIG. 3

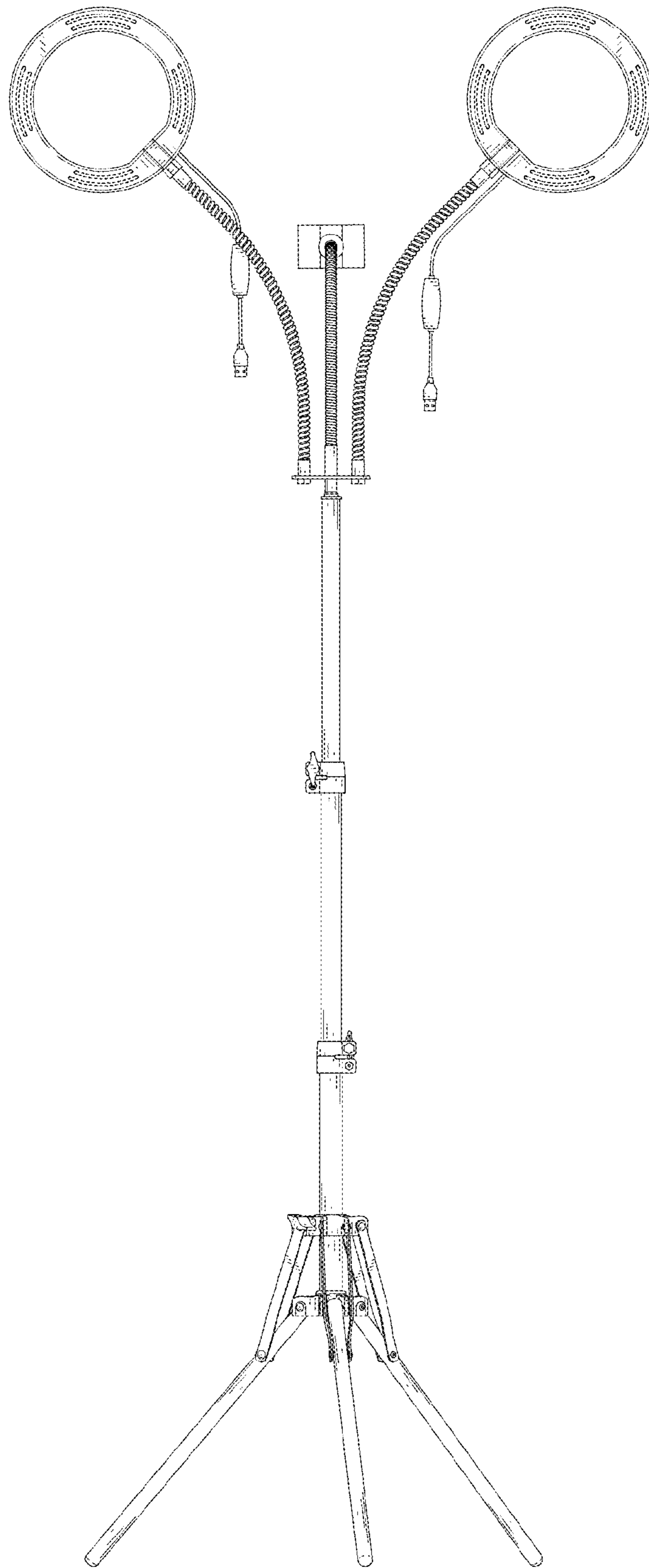
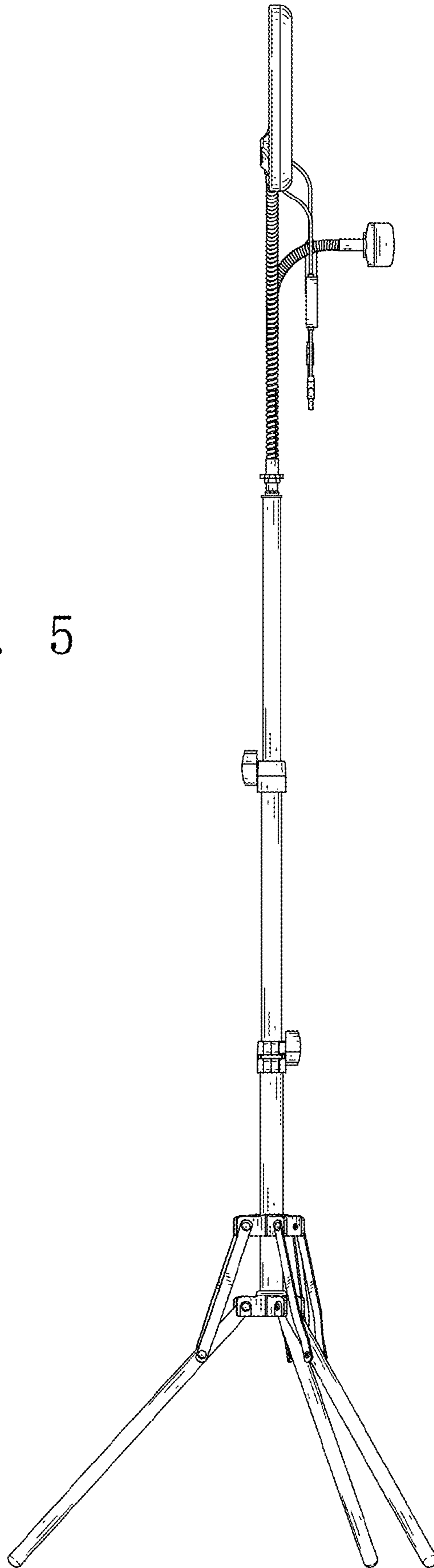


FIG. 4

FIG. 5



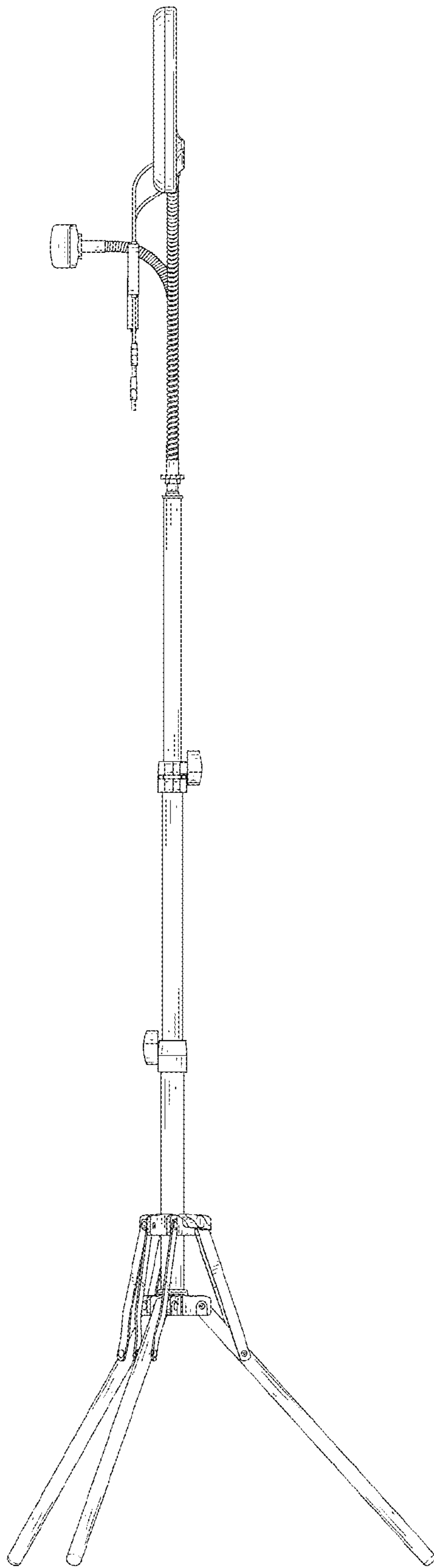


FIG. 6

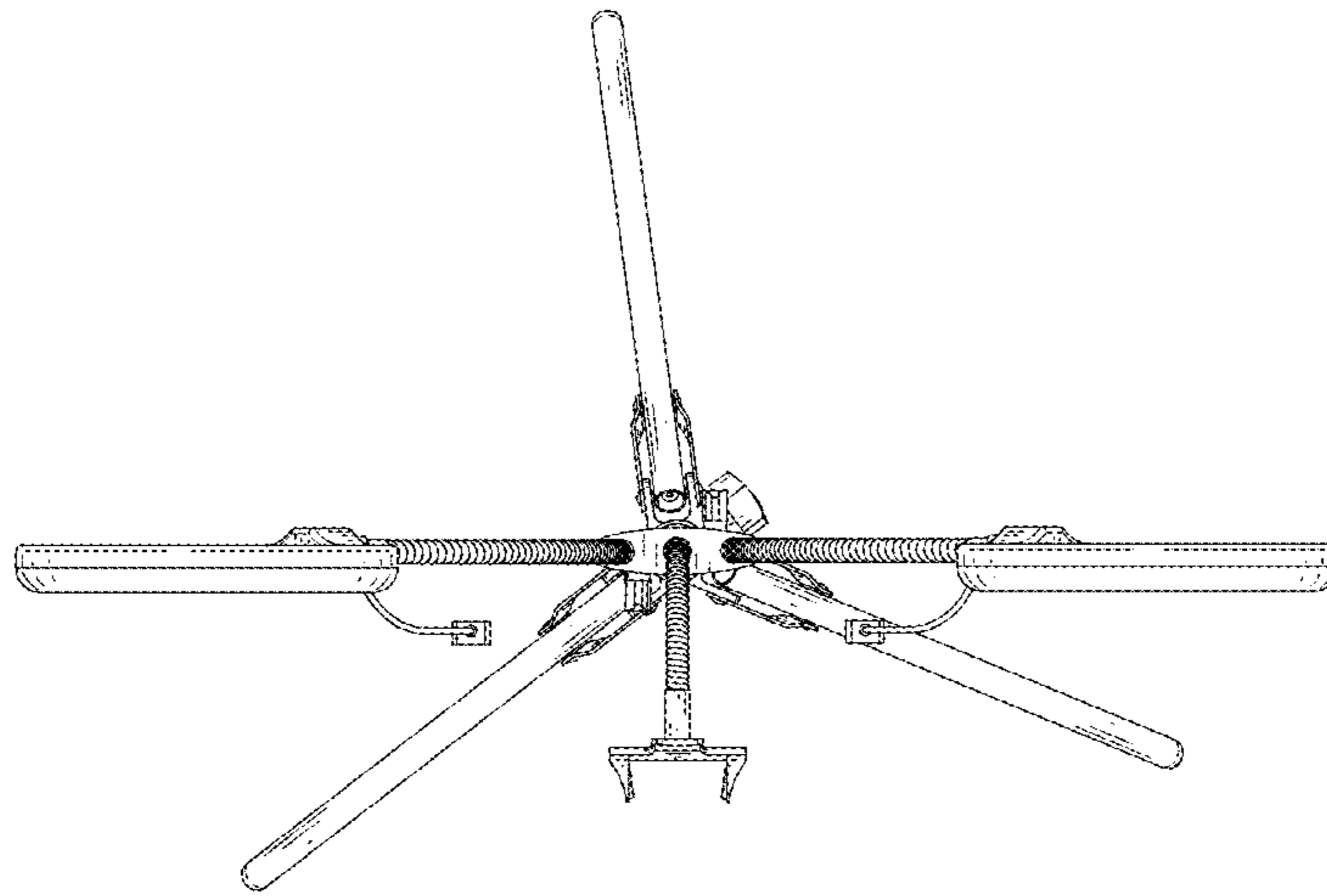


FIG. 7

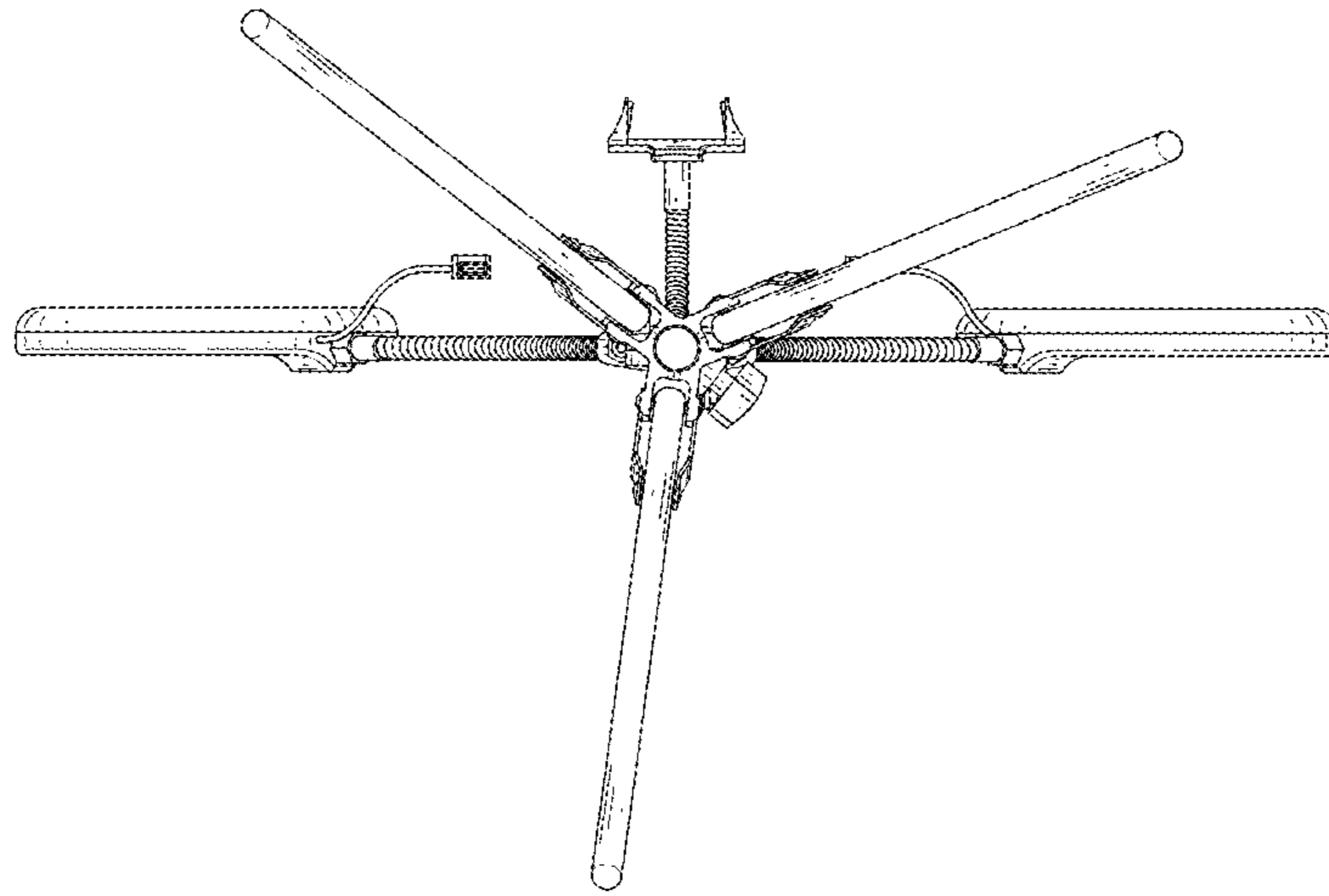


FIG. 8

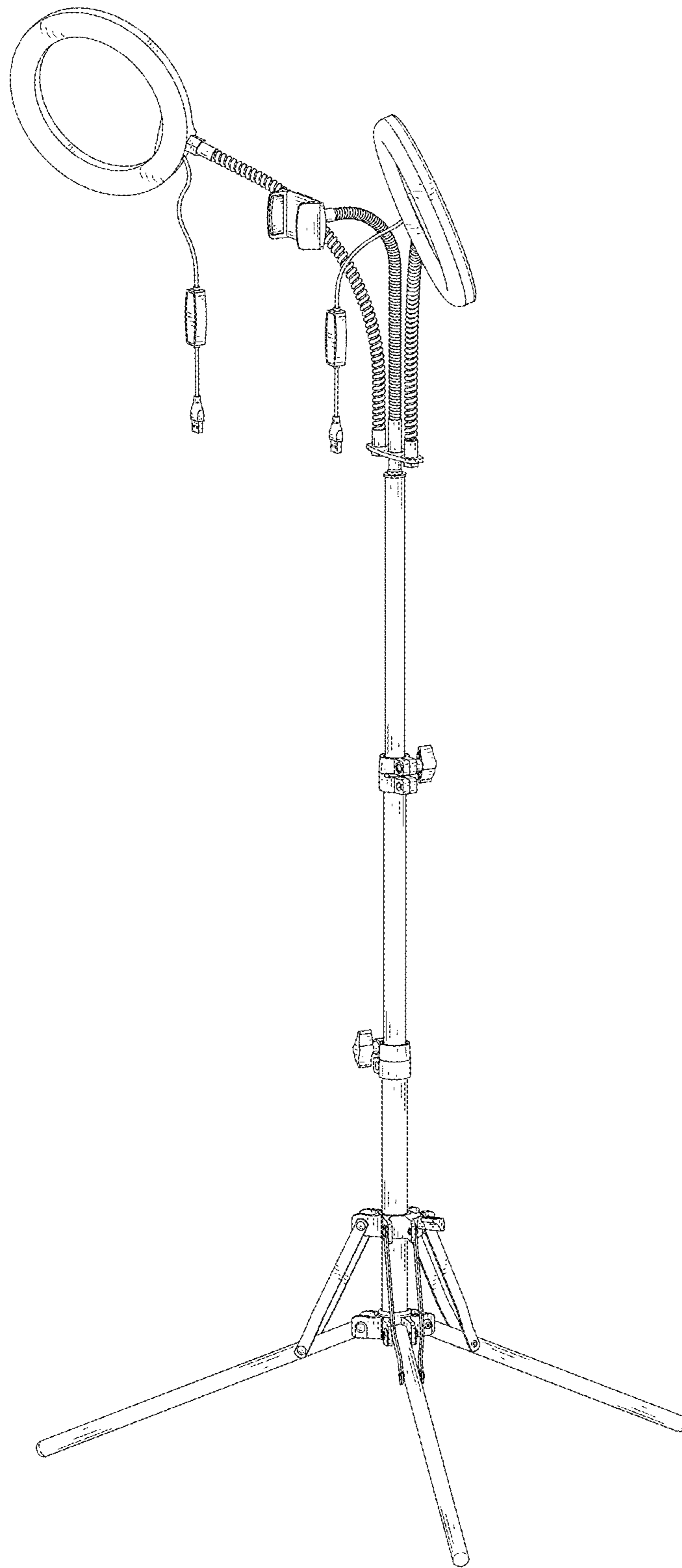


FIG. 9