



US00D929020S

(12) **United States Design Patent** (10) **Patent No.:** **US D929,020 S**
Zhao (45) **Date of Patent:** **** Aug. 24, 2021**

(54) **LAMP**

(71) Applicant: **Rongting Zhao**, Shenzhen (CN)

(72) Inventor: **Rongting Zhao**, Shenzhen (CN)

(**) Term: **15 Years**

(21) Appl. No.: **29/765,972**

(22) Filed: **Jan. 13, 2021**

(51) **LOC (13) Cl.** **26-03**

(52) **U.S. Cl.**
USPC **D26/90; D26/84**

(58) **Field of Classification Search**
USPC D26/80-84, 86, 88, 90
CPC F21S 8/04; F21S 8/043; F21S 8/046; F21S
8/06; F21S 8/061; F21S 8/063; F21S
8/065; F21S 8/066; F21S 8/068
See application file for complete search history.

(56) **References Cited**

U.S. PATENT DOCUMENTS

D468,475 S	1/2003	De Lucchi	
D469,562 S	1/2003	Crasset	
D493,568 S *	7/2004	Parres	D26/143
D592,787 S *	5/2009	Chandler	D26/81
D861,951 S *	10/2019	Zitoli	D26/81
D877,959 S *	3/2020	Birchfield	D26/81
D887,619 S *	6/2020	Chen	D26/88
D898,978 S *	10/2020	Xu	D26/82
D903,179 S *	11/2020	Pulsifer	D26/81

OTHER PUBLICATIONS

CASILVON Kitchen Island Pendant Lighting, ASIN: B08RZBPFRM, available at amazon.com Jan. 4, 2021. (Year: 2021).*

Jersie 5-Light Lantern Rectangle Chandelier by Gracie Oaks, SKU: W002577157, available at wayfair.com as early as Mar. 27, 2020. (Year: 2020).*

Douros 5—Light Kitchen Island Rectangle Chandelier with Wood Accents, SKU: W004694699, available at wayfair.com, visited Jul. 15, 2021. (Year: 2021).*

* cited by examiner

Primary Examiner — Clare E Heflin

(57) **CLAIM**

The ornamental design for a lamp, as shown and described.

DESCRIPTION

FIG. 1 is a perspective view of a lamp showing my new design;

FIG. 2 is another perspective view thereof;

FIG. 3 is a front elevational view thereof;

FIG. 4 is a rear elevational view thereof;

FIG. 5 is a left side elevational view thereof;

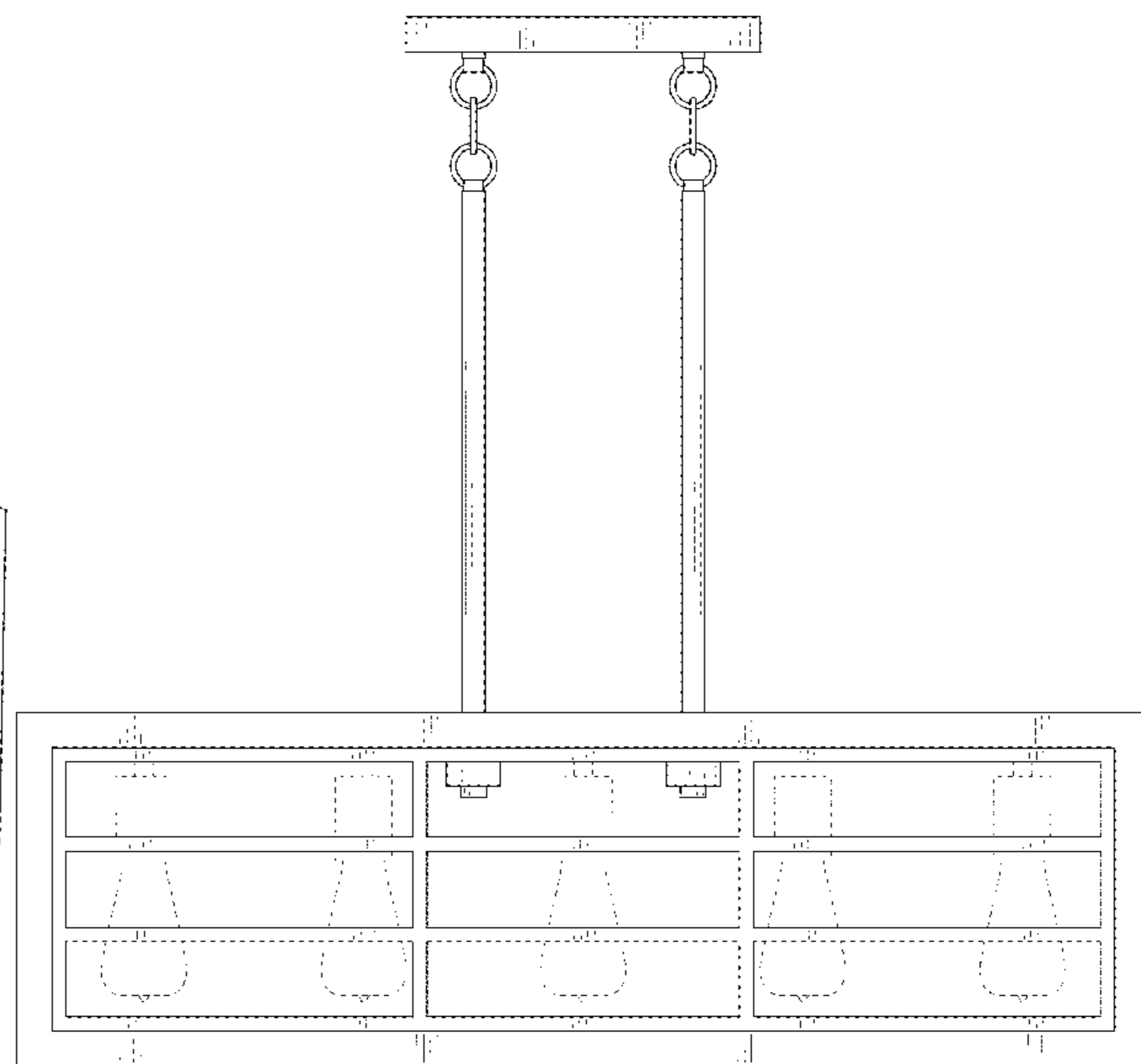
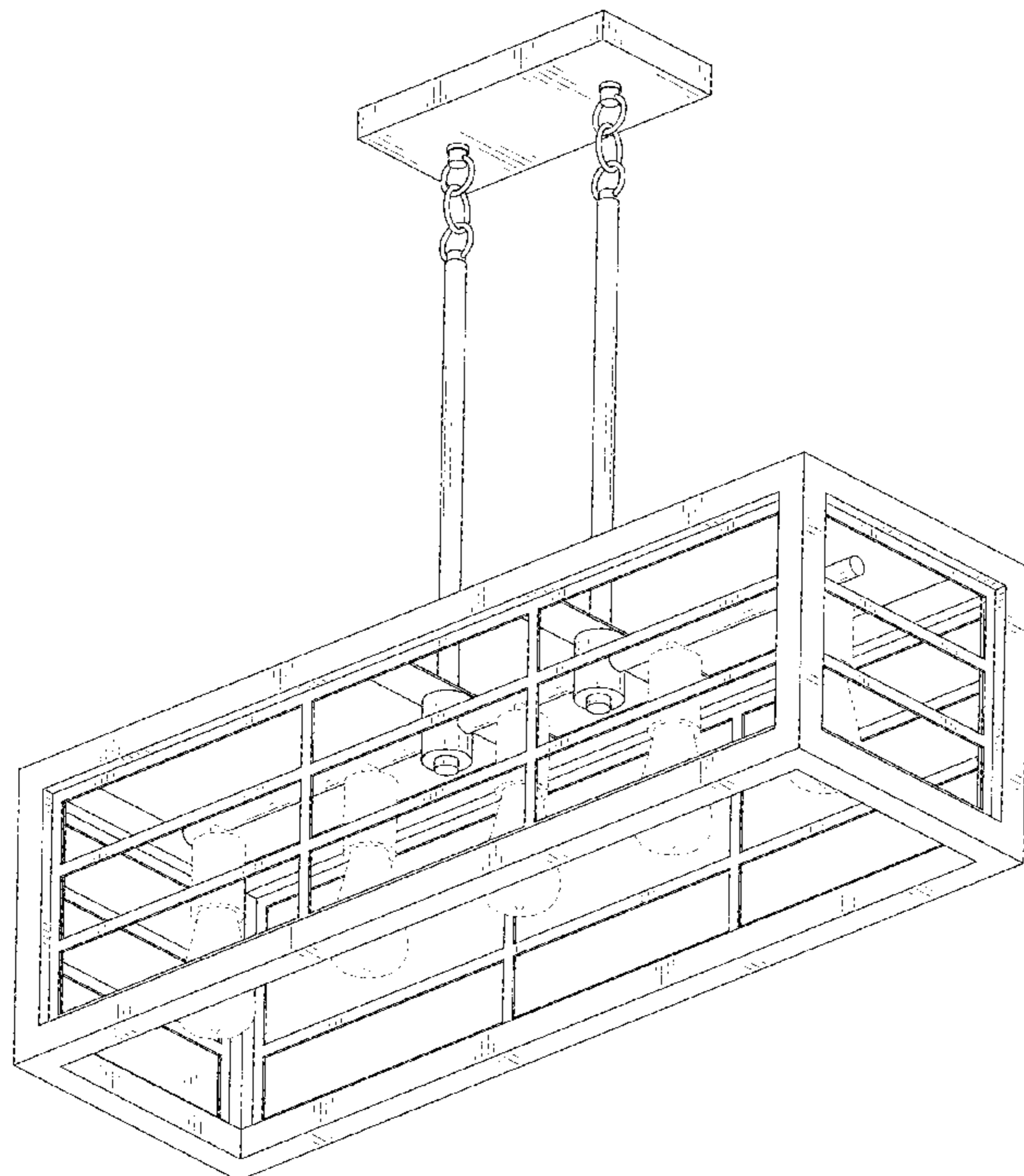
FIG. 6 is a right side elevational view thereof;

FIG. 7 is a top plan view thereof; and,

FIG. 8 is a bottom plan view thereof.

The broken lines in the drawings depict portions of the lamp that form no part of the claimed design.

1 Claim, 8 Drawing Sheets



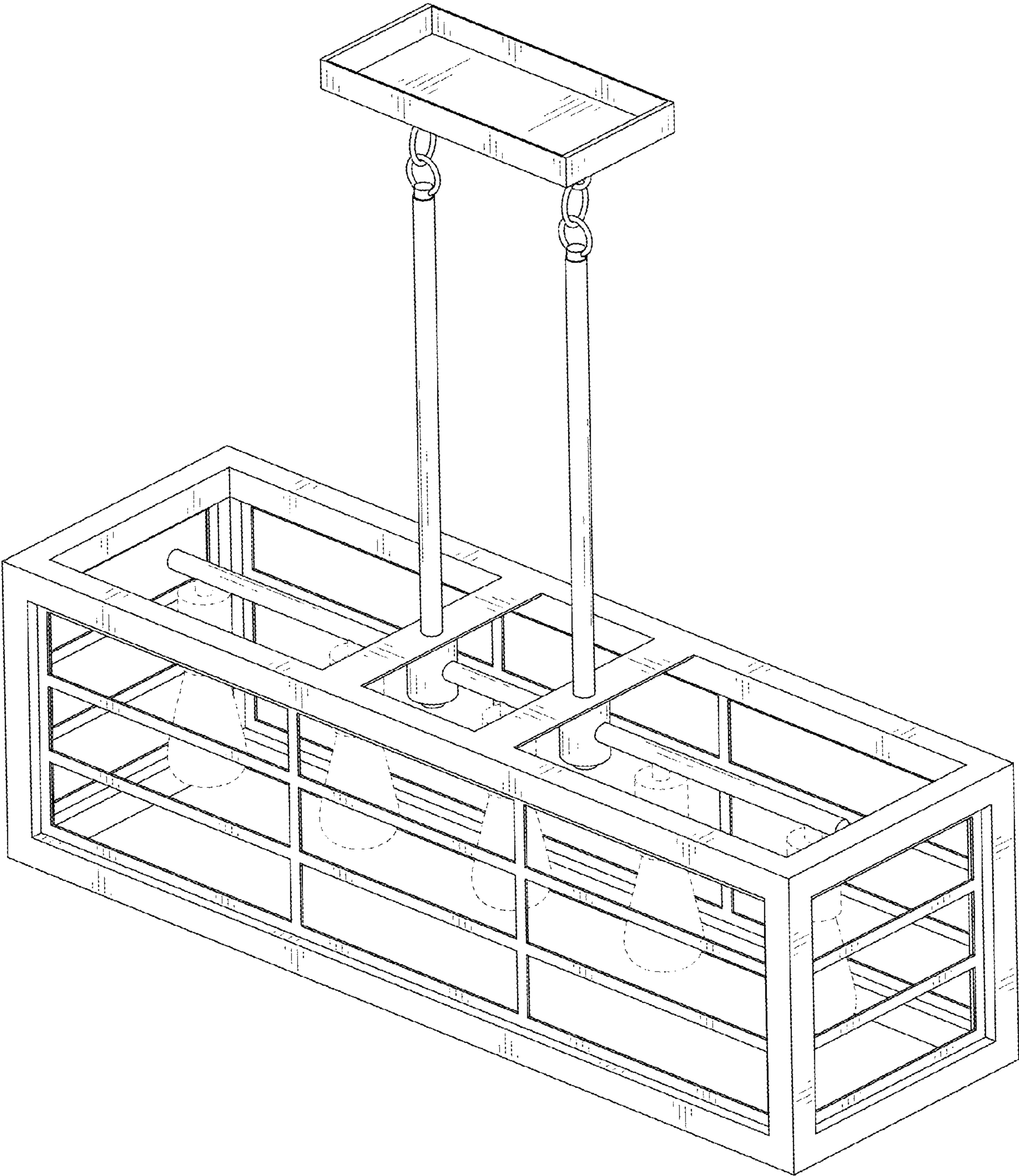


FIG. 1

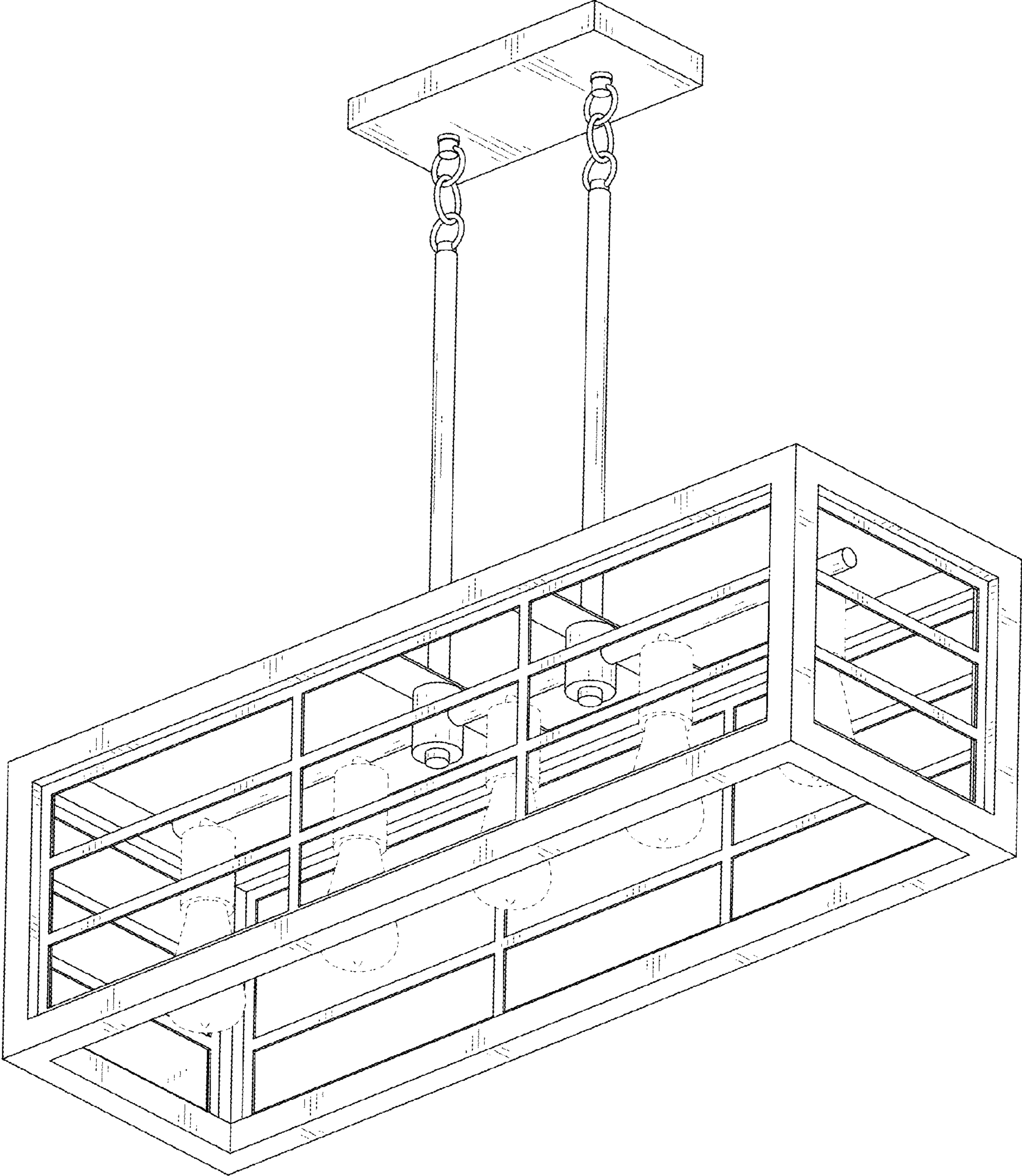


FIG. 2

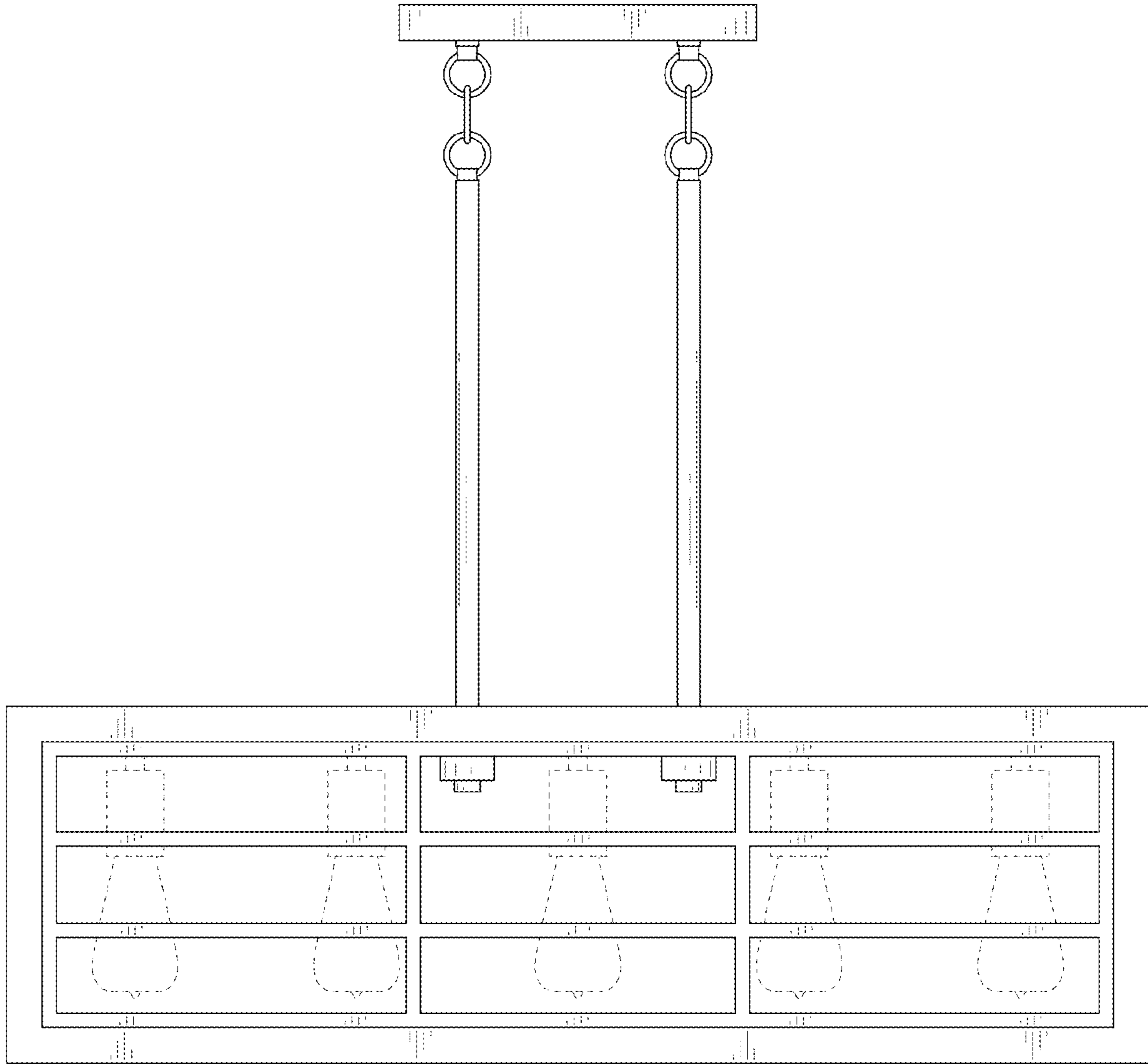


FIG. 3

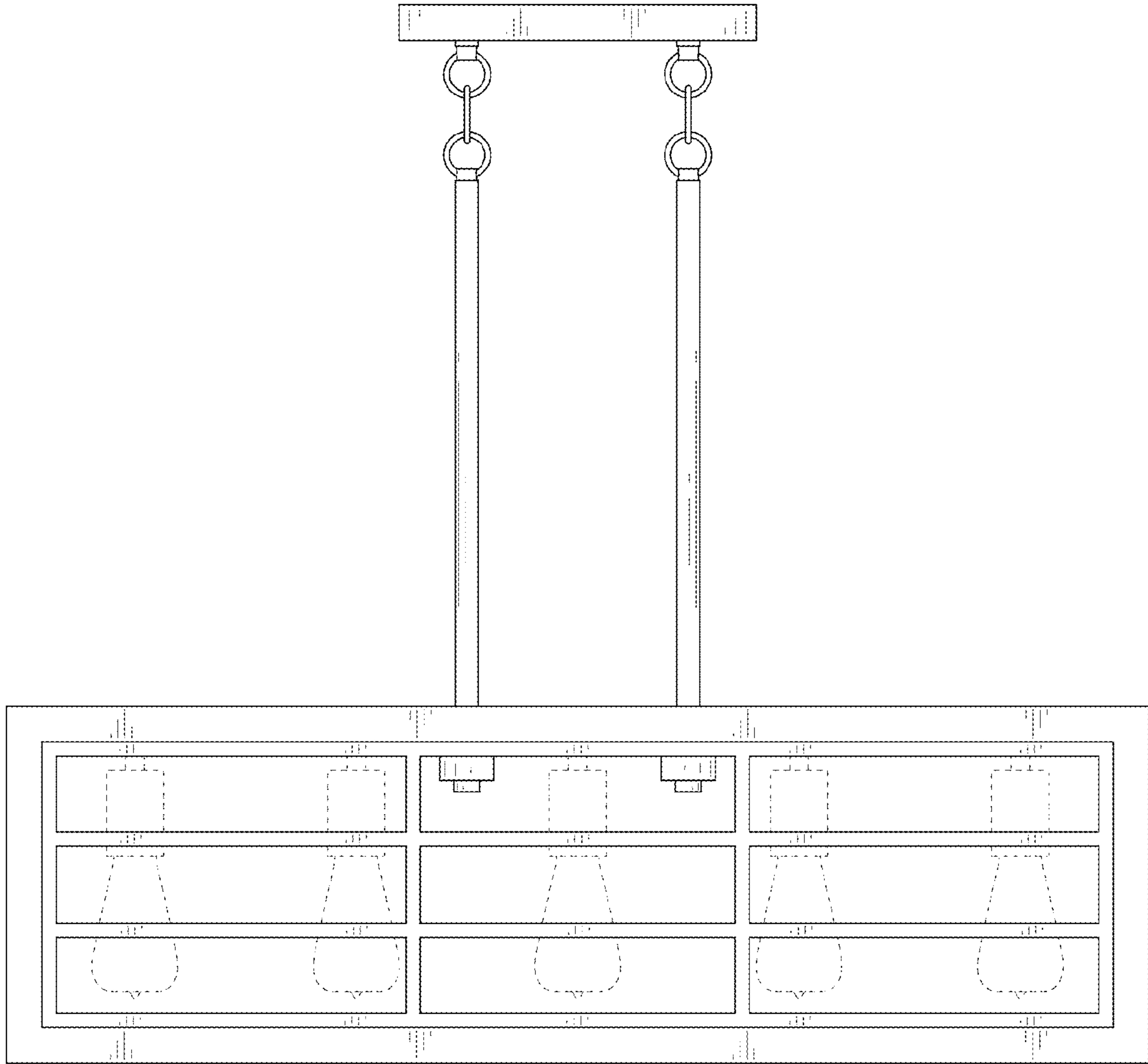


FIG. 4

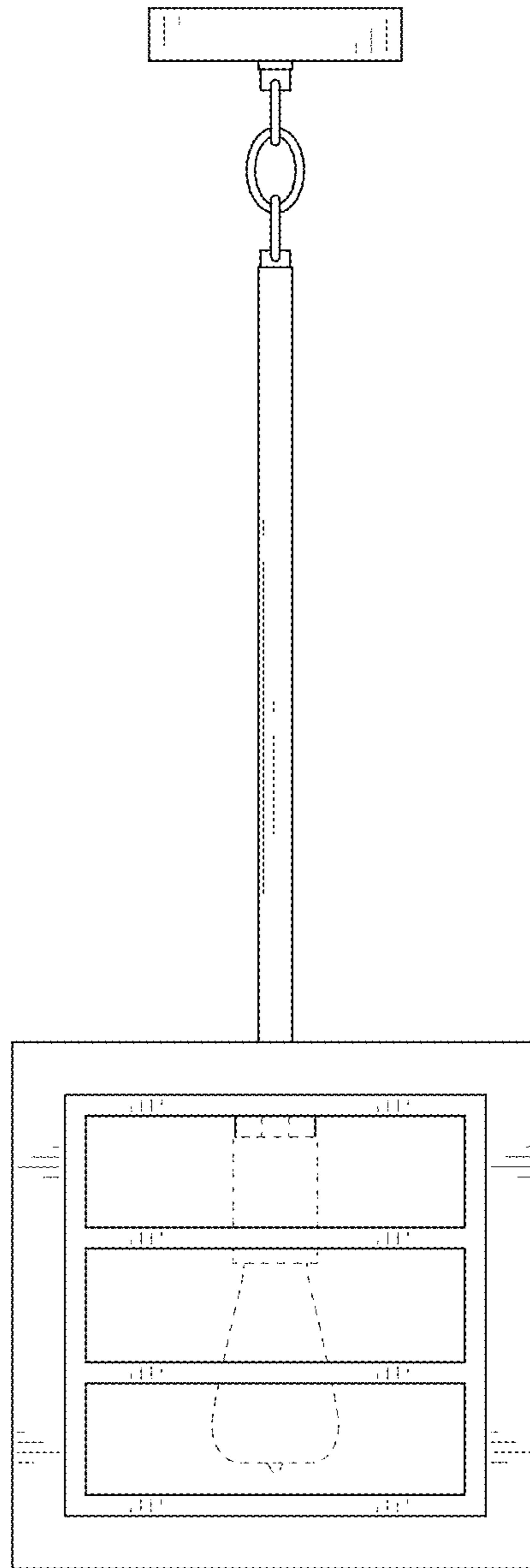


FIG. 5

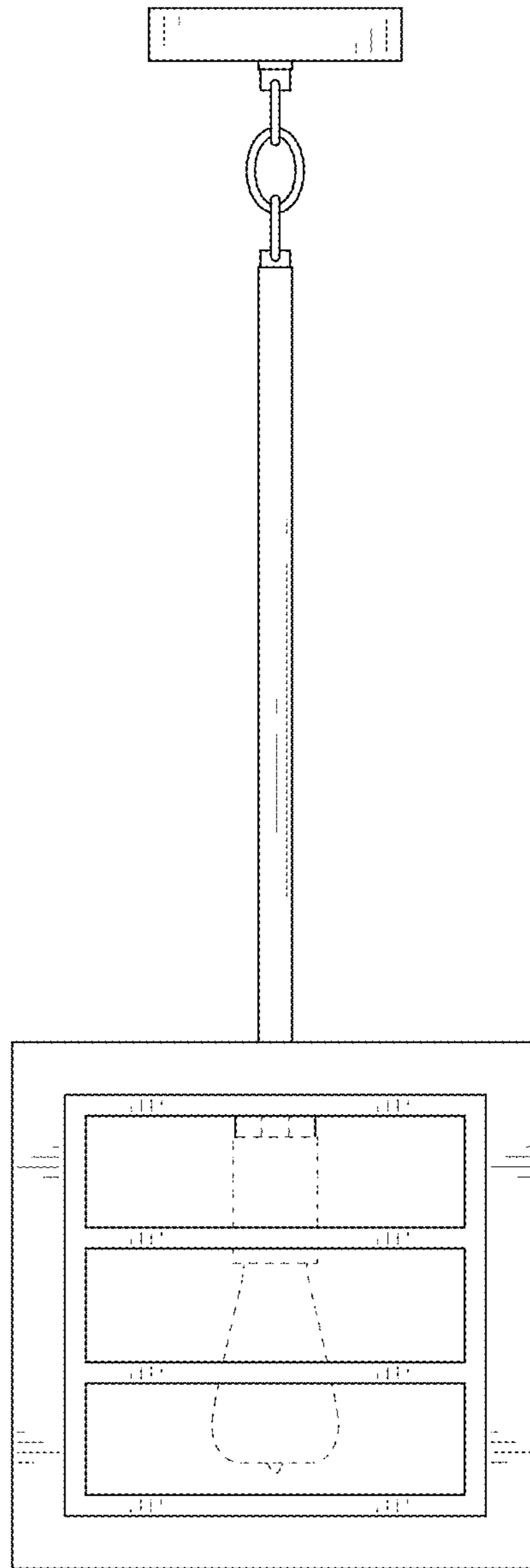


FIG. 6

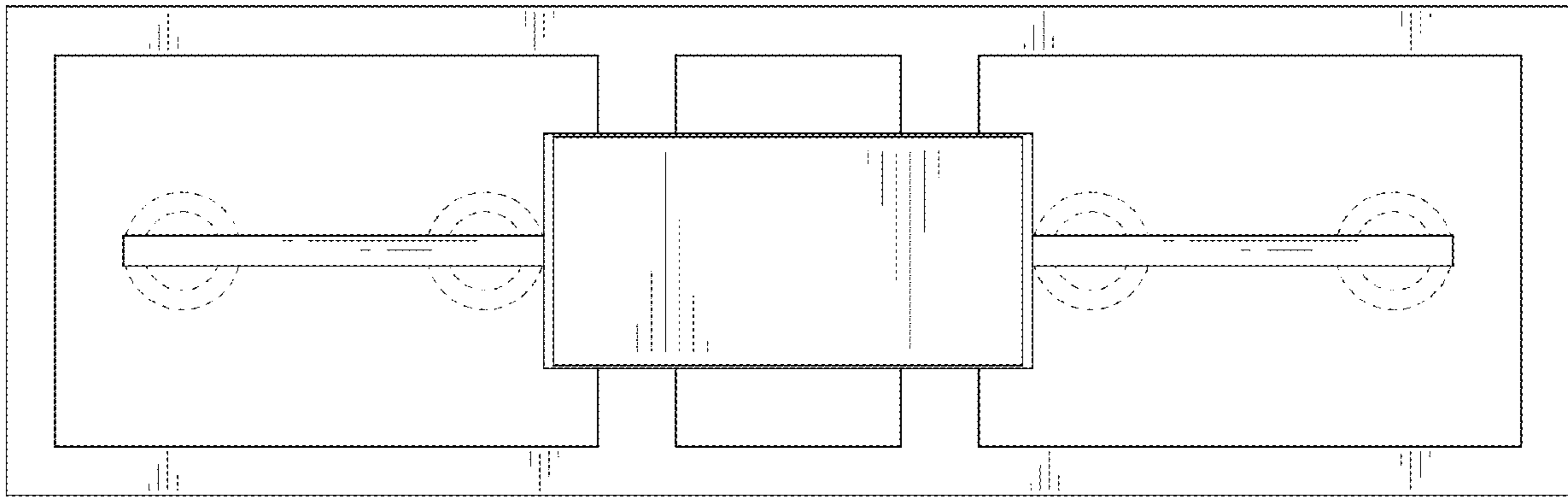


FIG. 7

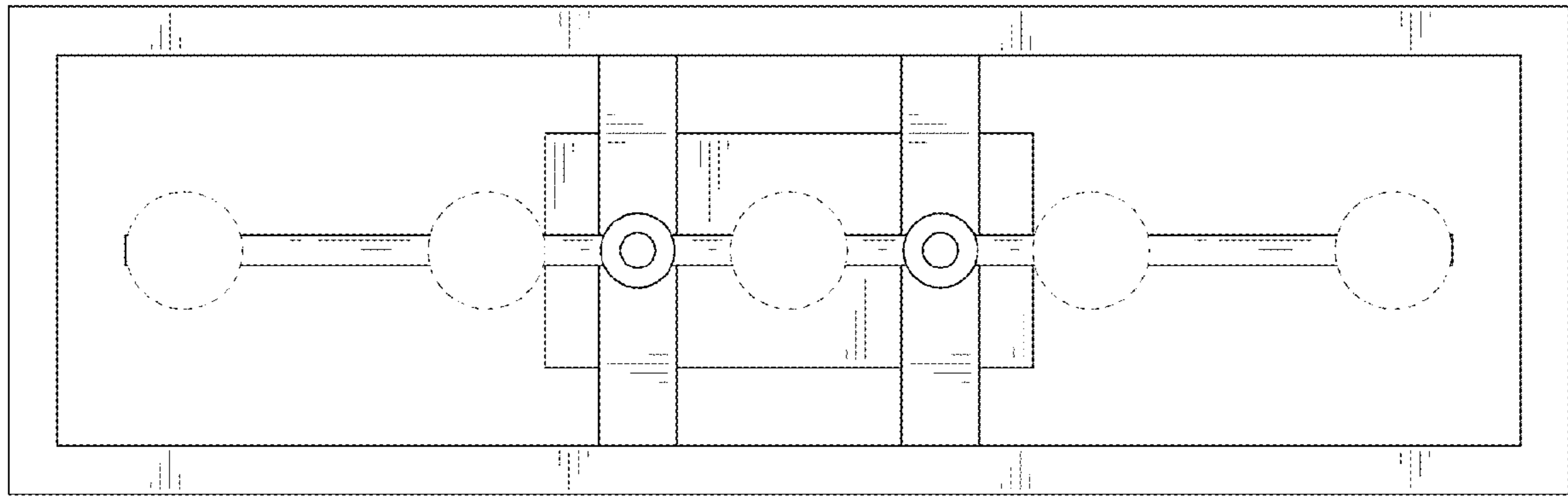


FIG. 8