



US00D929019S

(12) **United States Design Patent**  
**Zhao**

(10) **Patent No.:** **US D929,019 S**

(45) **Date of Patent:** **\*\* Aug. 24, 2021**

(54) **LAMP**

(71) Applicant: **Rongting Zhao**, Shenzhen (CN)

(72) Inventor: **Rongting Zhao**, Shenzhen (CN)

(\*\*) Term: **15 Years**

(21) Appl. No.: **29/765,973**

(22) Filed: **Jan. 13, 2021**

(51) **LOC (13) Cl.** ..... **26-03**

(52) **U.S. Cl.**  
USPC ..... **D26/81; D26/90**

(58) **Field of Classification Search**  
USPC ..... D26/80-84, 86, 88, 90  
CPC .... F21S 8/04; F21S 8/043; F21S 8/046; F21S  
8/06; F21S 8/061; F21S 8/063; F21S  
8/065; F21S 8/066; F21S 8/068  
See application file for complete search history.

(56) **References Cited**

**U.S. PATENT DOCUMENTS**

D75,063 S *	5/1928	Rosenblatt	.....	D26/81
1,680,225 A *	8/1928	Luckiesh	.....	F21V 17/00 362/247
D252,351 S *	7/1979	Glassman	.....	D26/80
D302,478 S *	7/1989	Bohler	.....	D26/81
D468,475 S	1/2003	De Lucchi		
D469,562 S	1/2003	Crasset		
D686,771 S *	7/2013	Lastimosa	.....	D26/88
D825,812 S *	8/2018	Wright	.....	D26/81
D898,978 S *	10/2020	Xu	.....	D26/82
D905,315 S *	12/2020	Li	.....	D26/81
D906,571 S *	12/2020	Li	.....	D26/81
D906,572 S *	12/2020	Li	.....	D26/81

**OTHER PUBLICATIONS**

DECOMUST 22" 4-Light Circular Wood Metal Pendant Lamp, ASIN: B07SBGPKZP, available at amazon.com May 24, 2019. (Year: 2019).\*  
Rattan Trellis Chandelier, SKU CH20133 available from shadesoflight.com, visited Jul. 15, 2021. (Year: 2021).\*  
Osimir Semi-Flush Mount Ceiling Light, 3-Light Ceiling Light Fixture, ASIN: B086JHR6PW, available at amazon.com Mar. 29, 2020. (Year: 2020).\*

\* cited by examiner

*Primary Examiner* — Clare E Hefflin

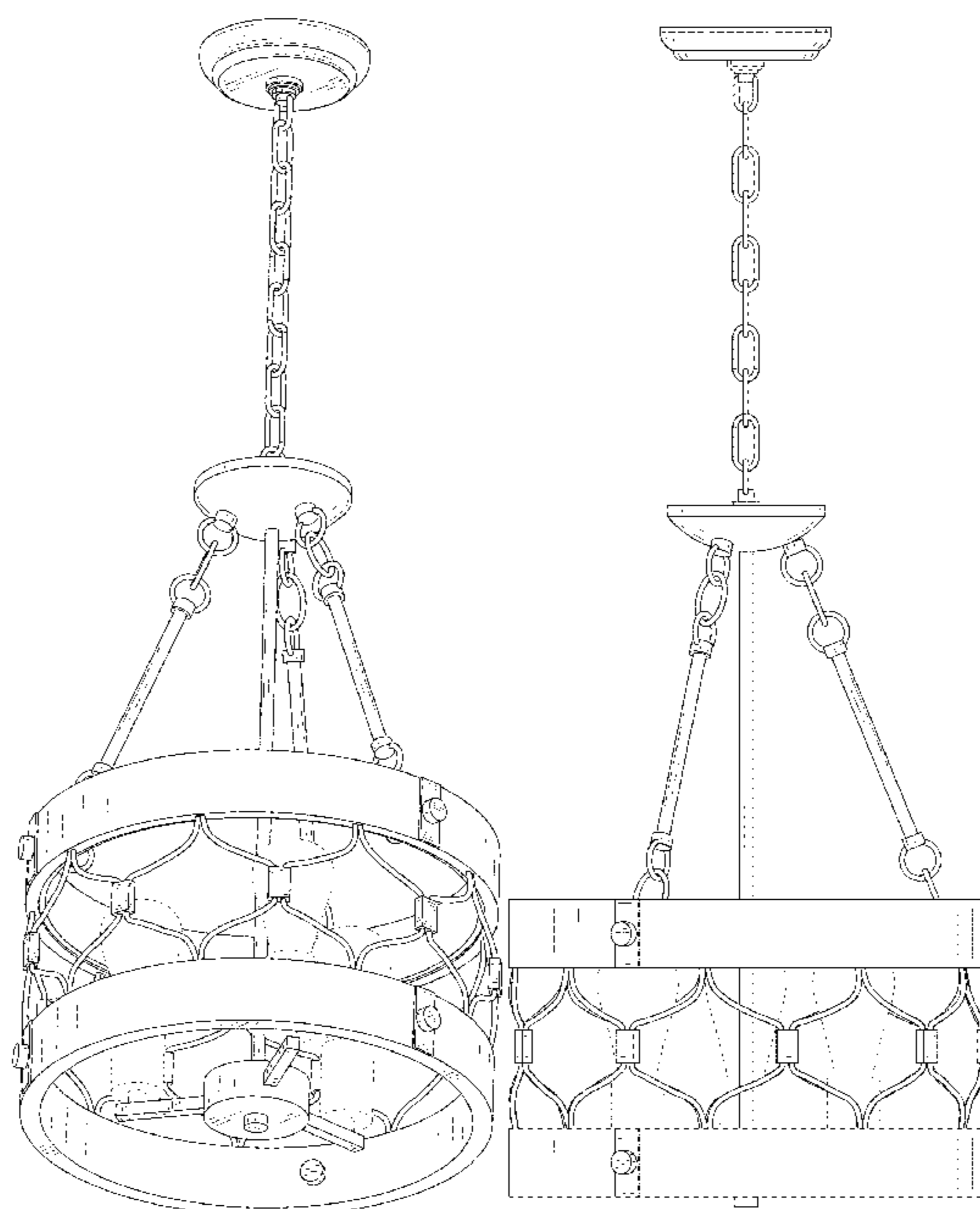
(57) **CLAIM**

The ornamental design for a lamp, as shown and described.

**DESCRIPTION**

FIG. 1 is a perspective view of a first embodiment of a lamp showing my new design;  
FIG. 2 is another perspective view thereof;  
FIG. 3 is a front elevational view thereof;  
FIG. 4 is a rear elevational view thereof;  
FIG. 5 is a left side elevational view thereof;  
FIG. 6 is a right side elevational view thereof;  
FIG. 7 is a top plan view thereof;  
FIG. 8 is a bottom plan view thereof;  
FIG. 9 is a perspective view of a second embodiment of the lamp showing my new design;  
FIG. 10 is another perspective view thereof;  
FIG. 11 is a front elevational view thereof;  
FIG. 12 is a rear elevational view thereof;  
FIG. 13 is a left side elevational view thereof;  
FIG. 14 is a right side elevational view thereof;  
FIG. 15 is a top plan view thereof; and,  
FIG. 16 is a bottom plan view thereof.  
The broken lines in the drawings depict portions of the lamp that form no part of the claimed design.

**1 Claim, 16 Drawing Sheets**



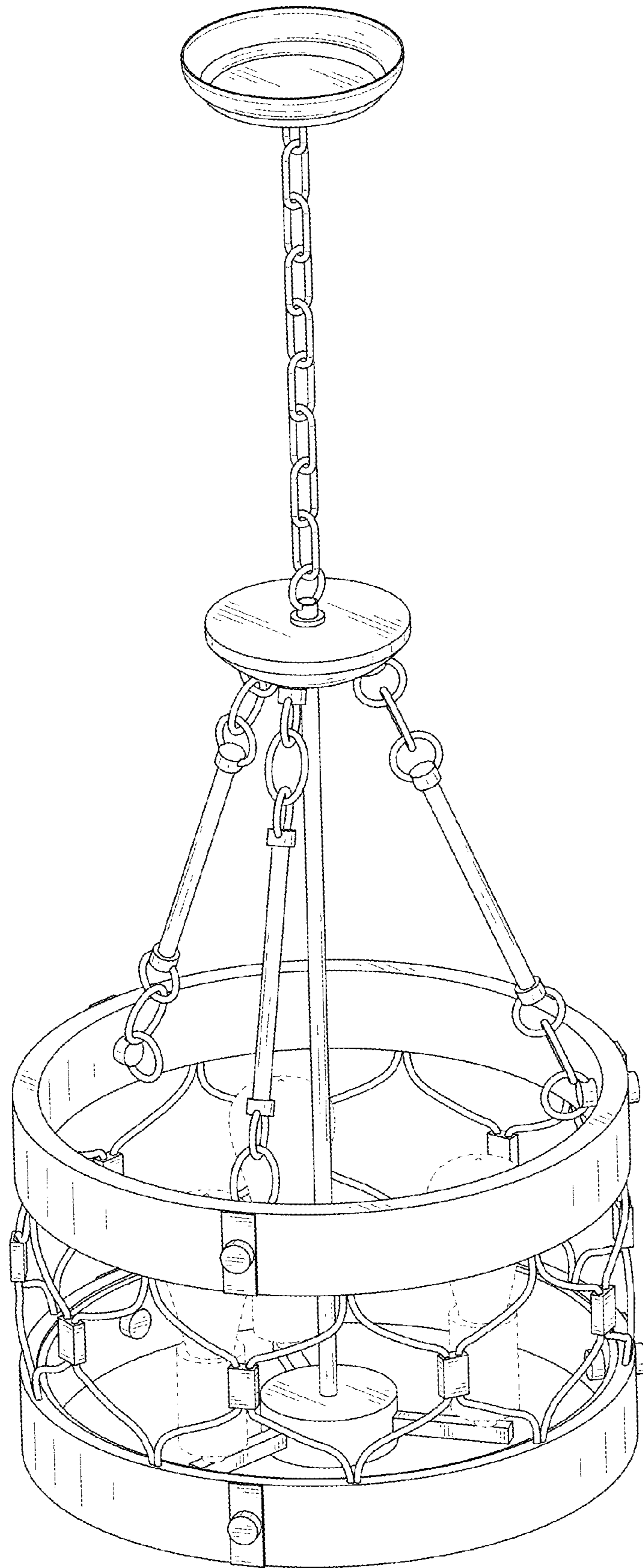


FIG. 1

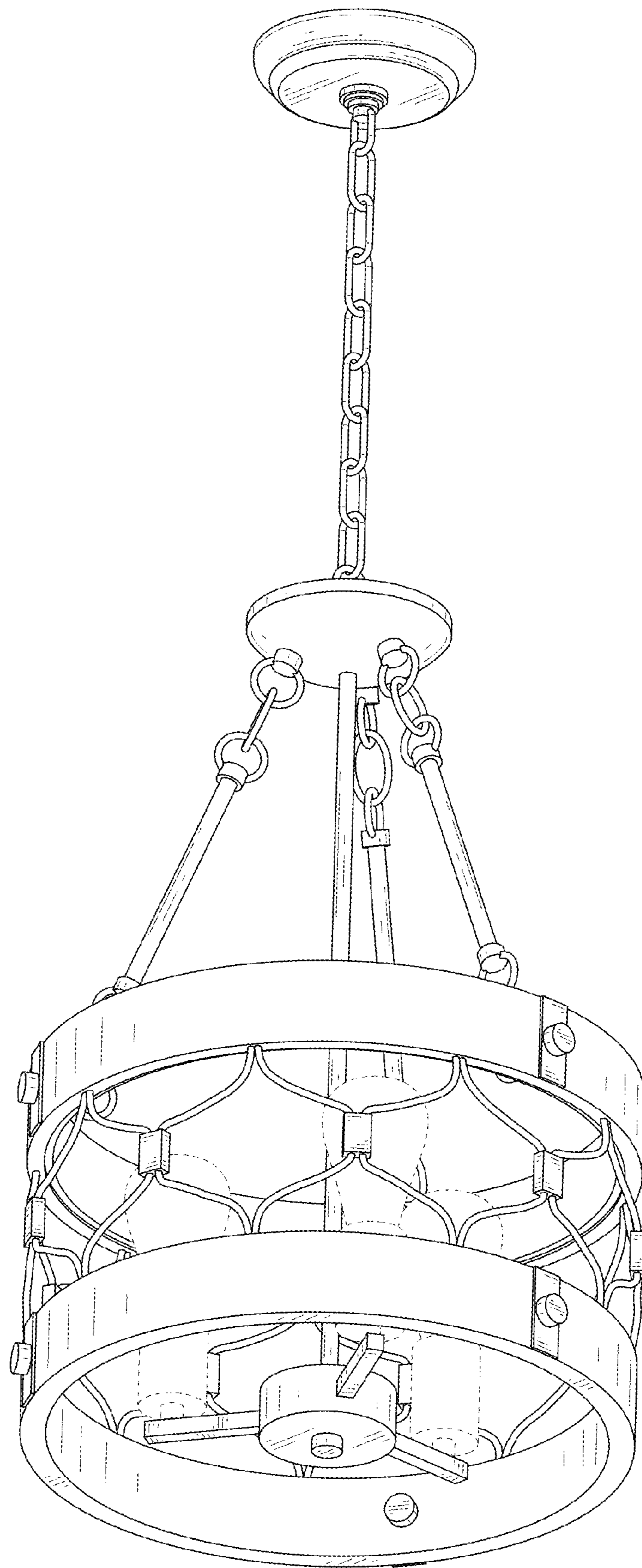


FIG. 2

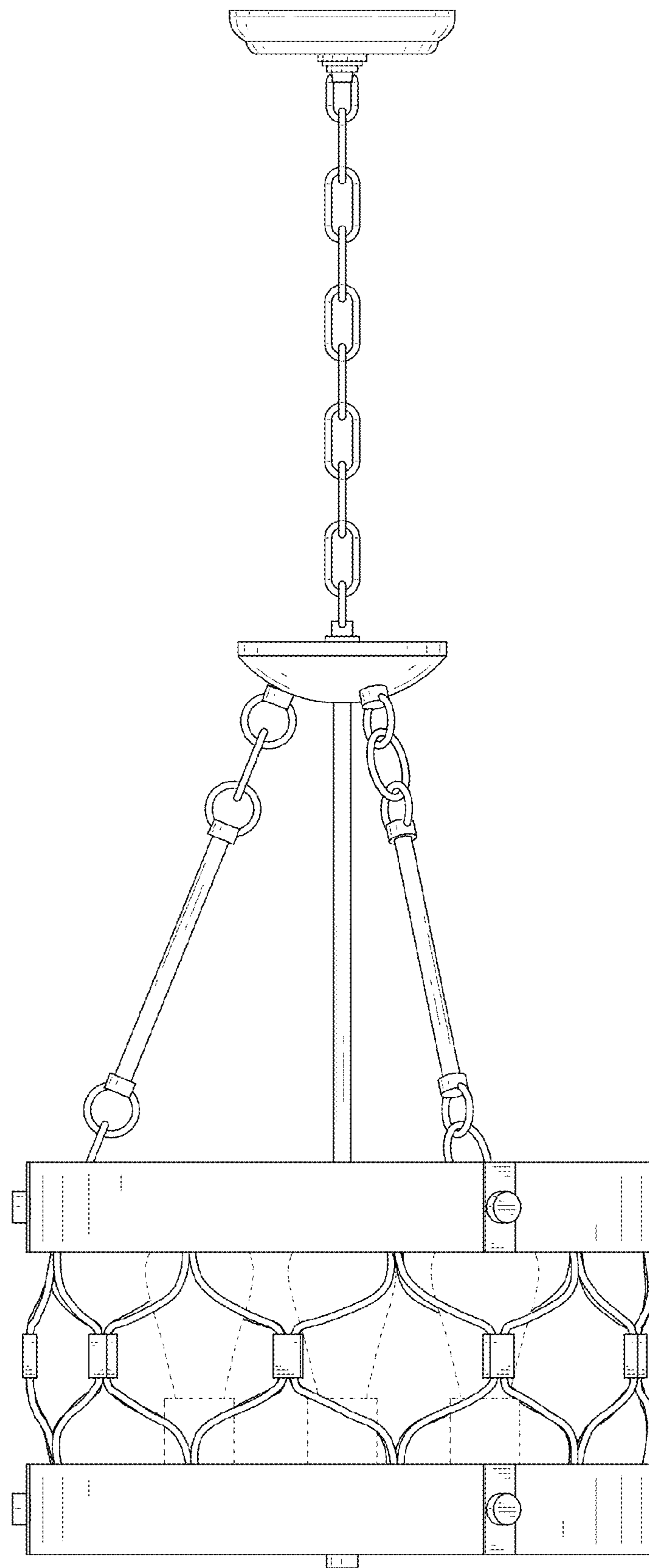


FIG. 3

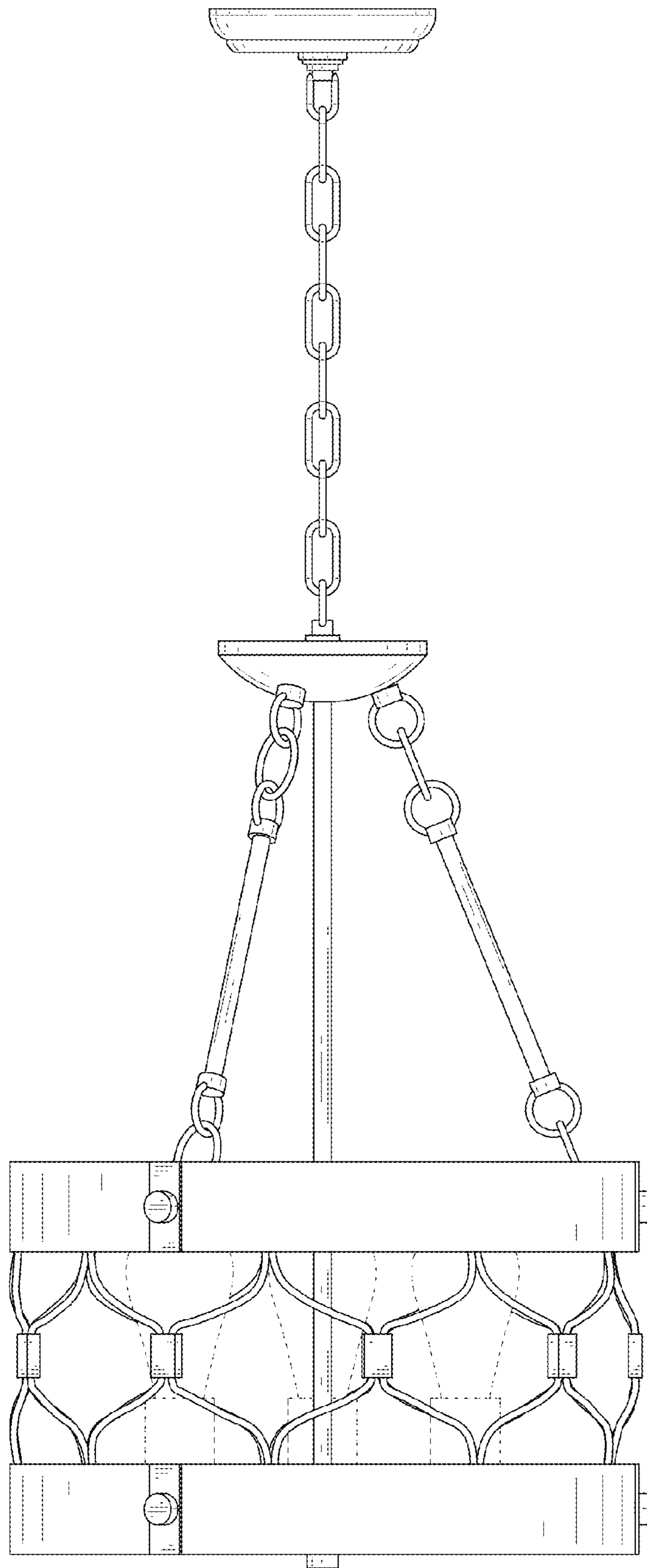


FIG. 4

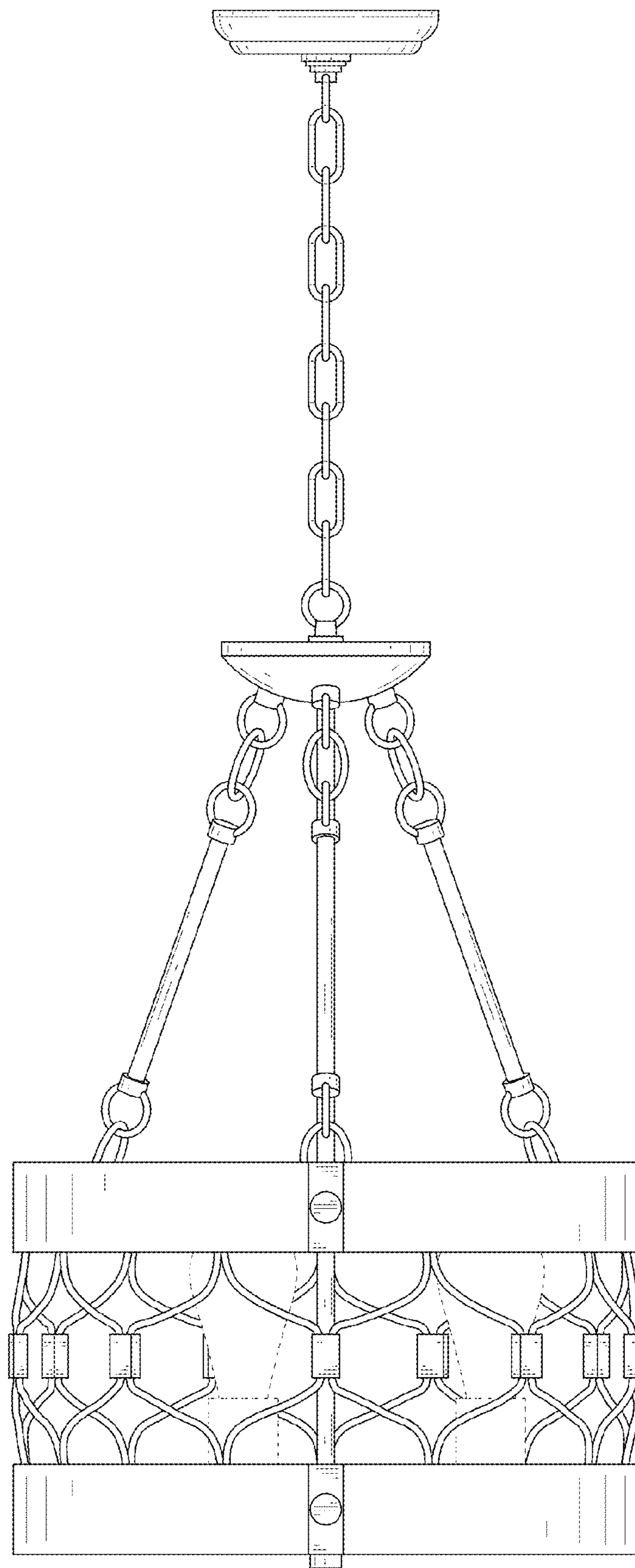


FIG. 5

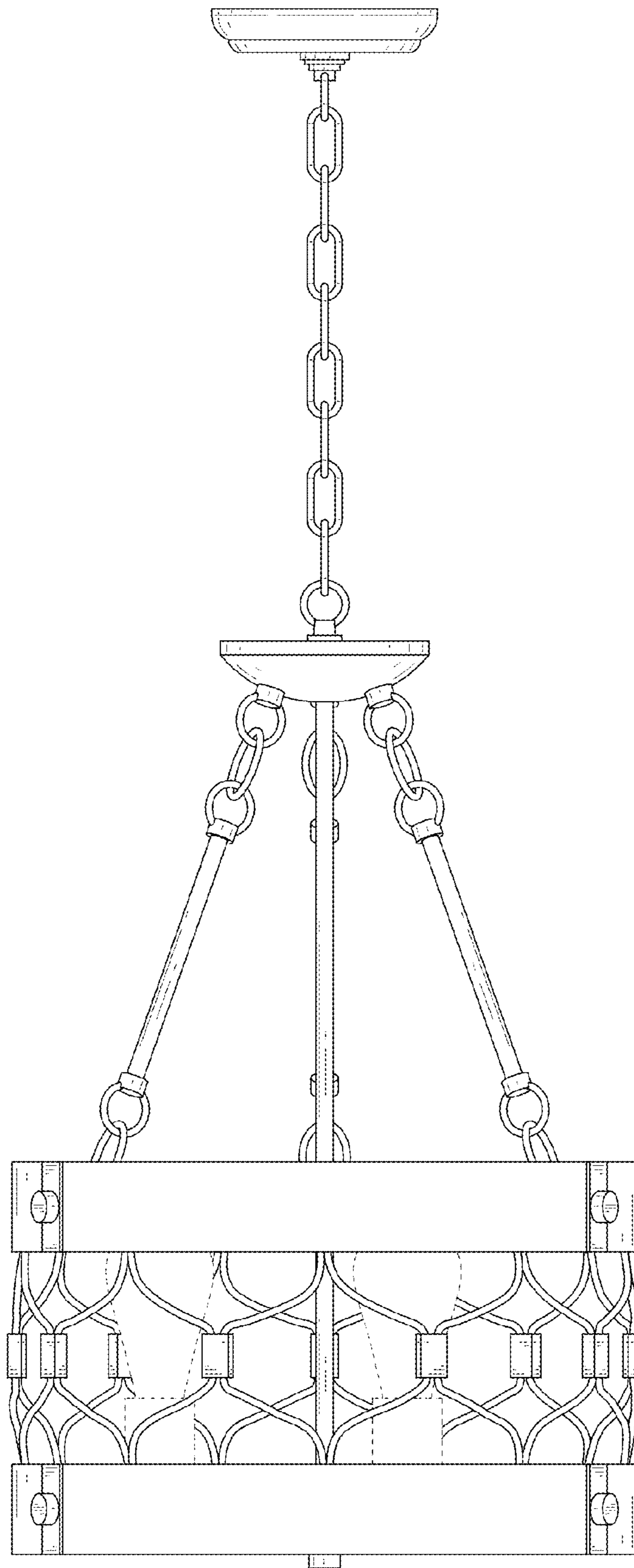


FIG. 6

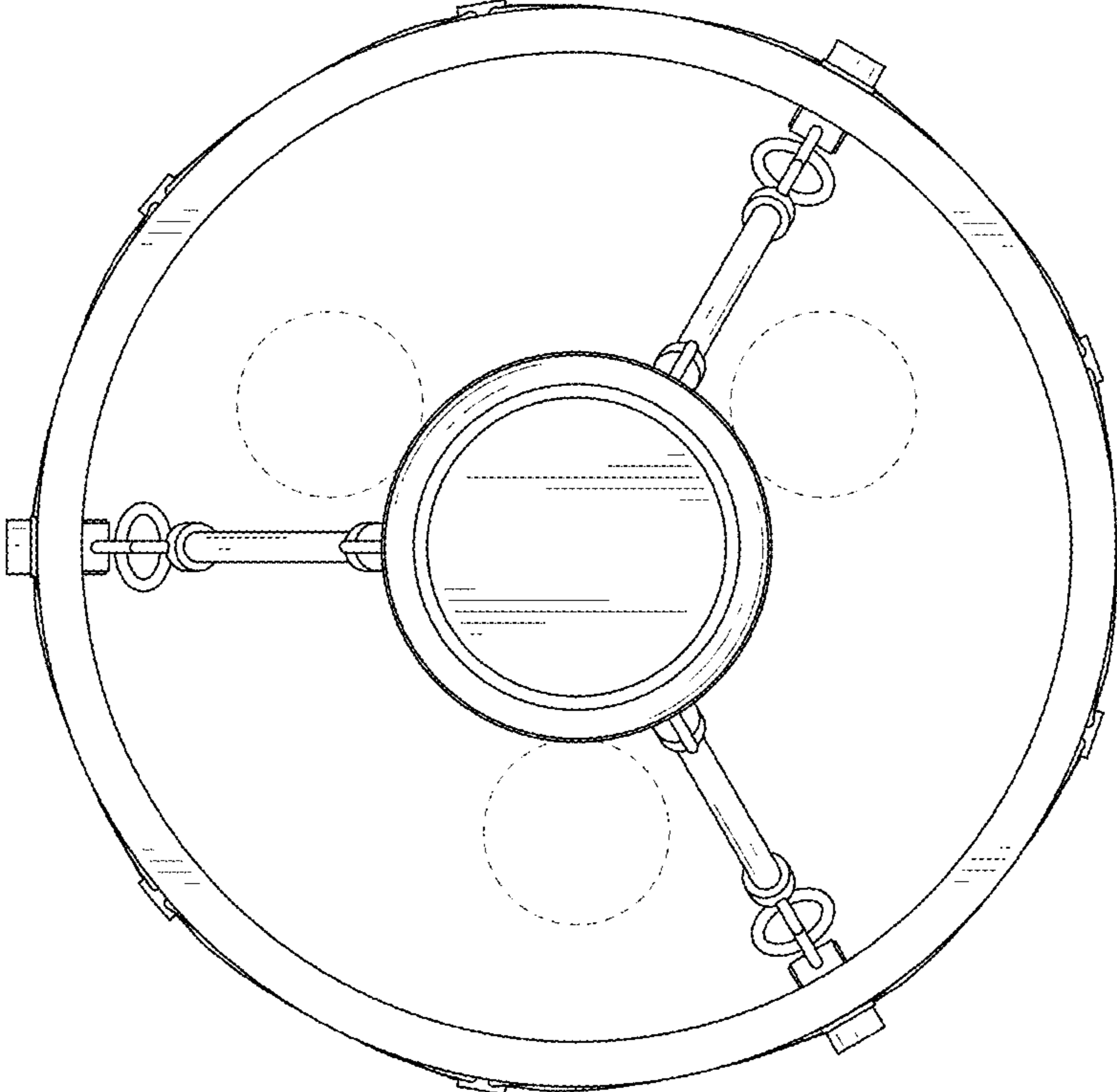


FIG. 7



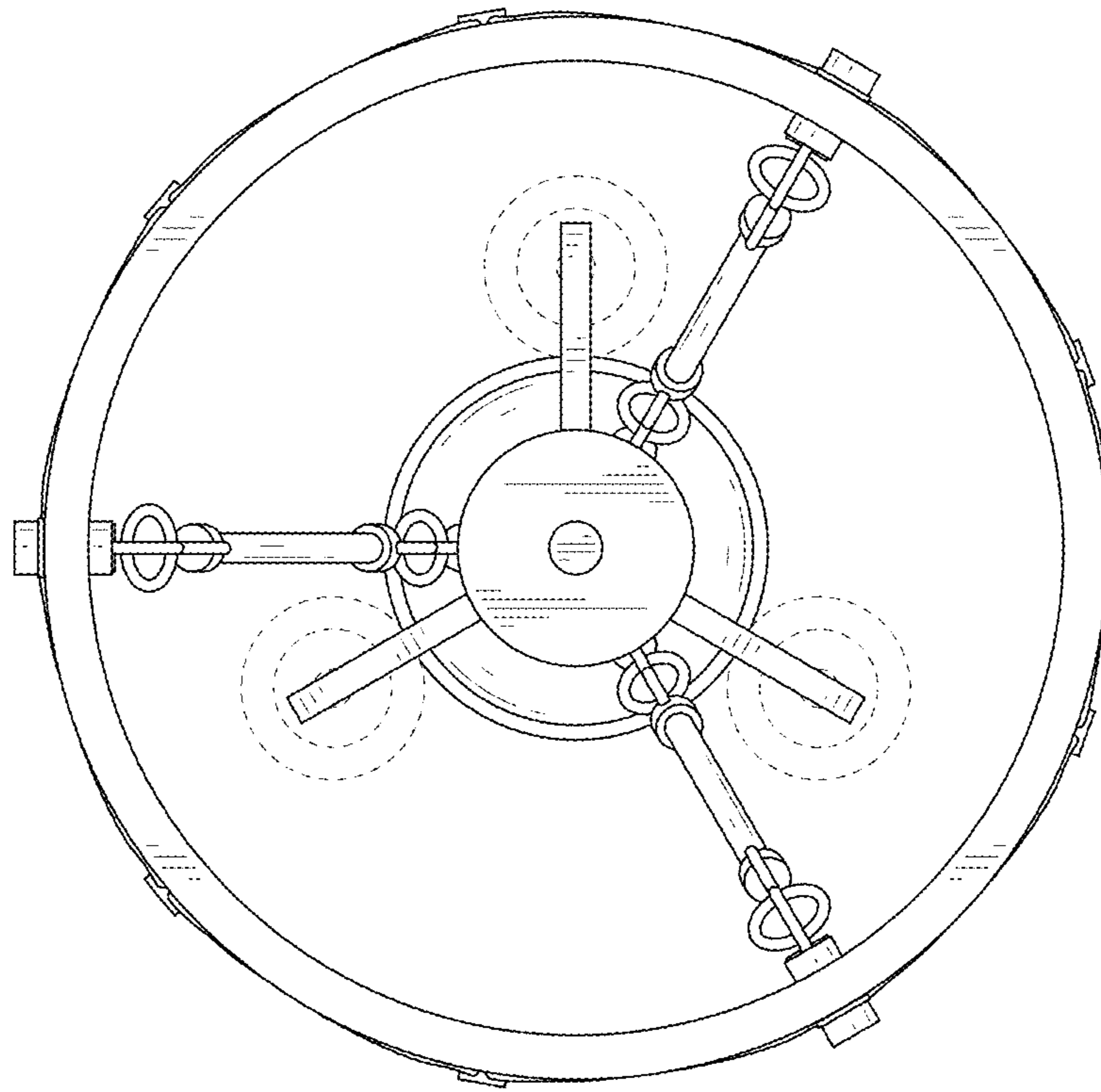


FIG. 8

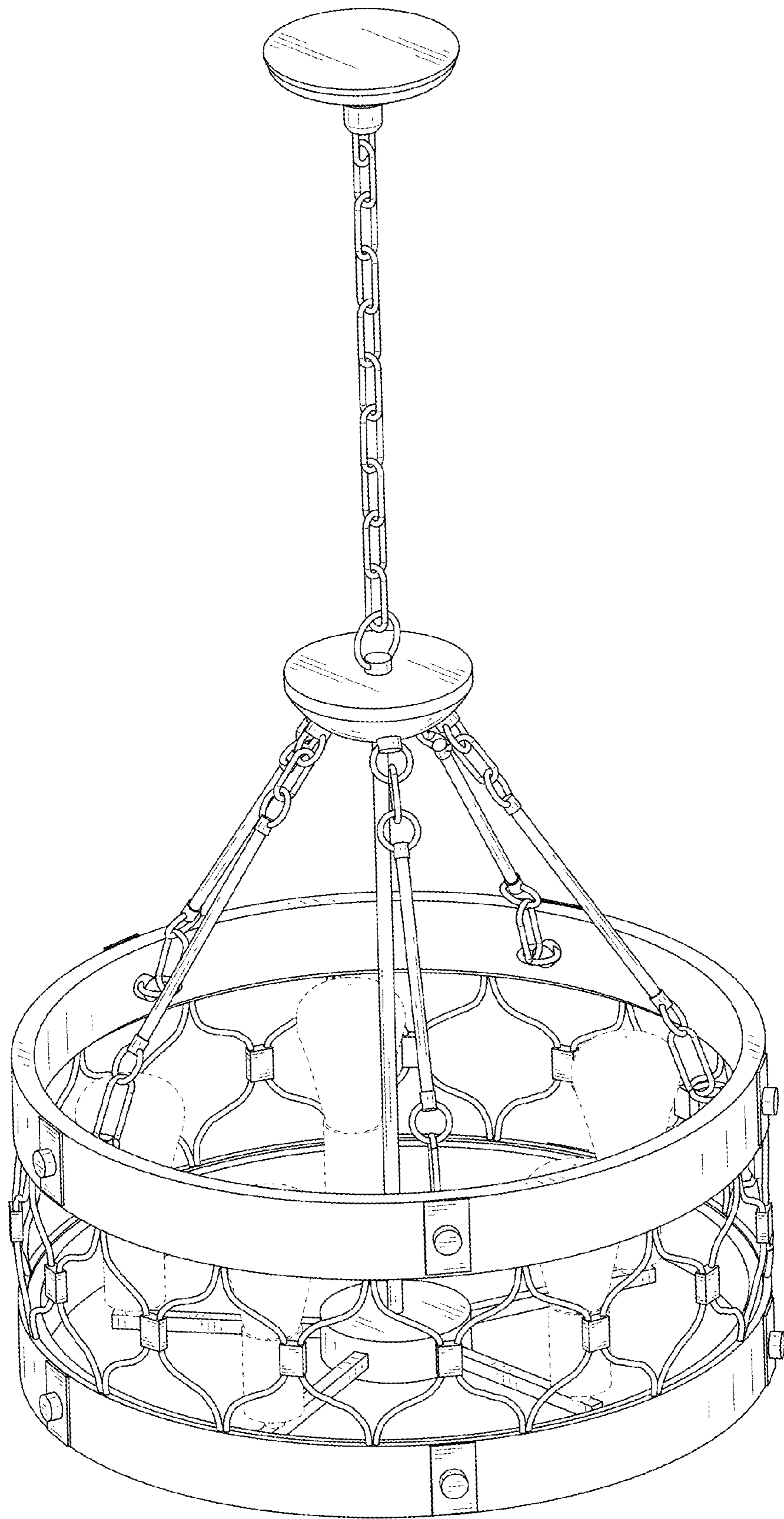


FIG. 9

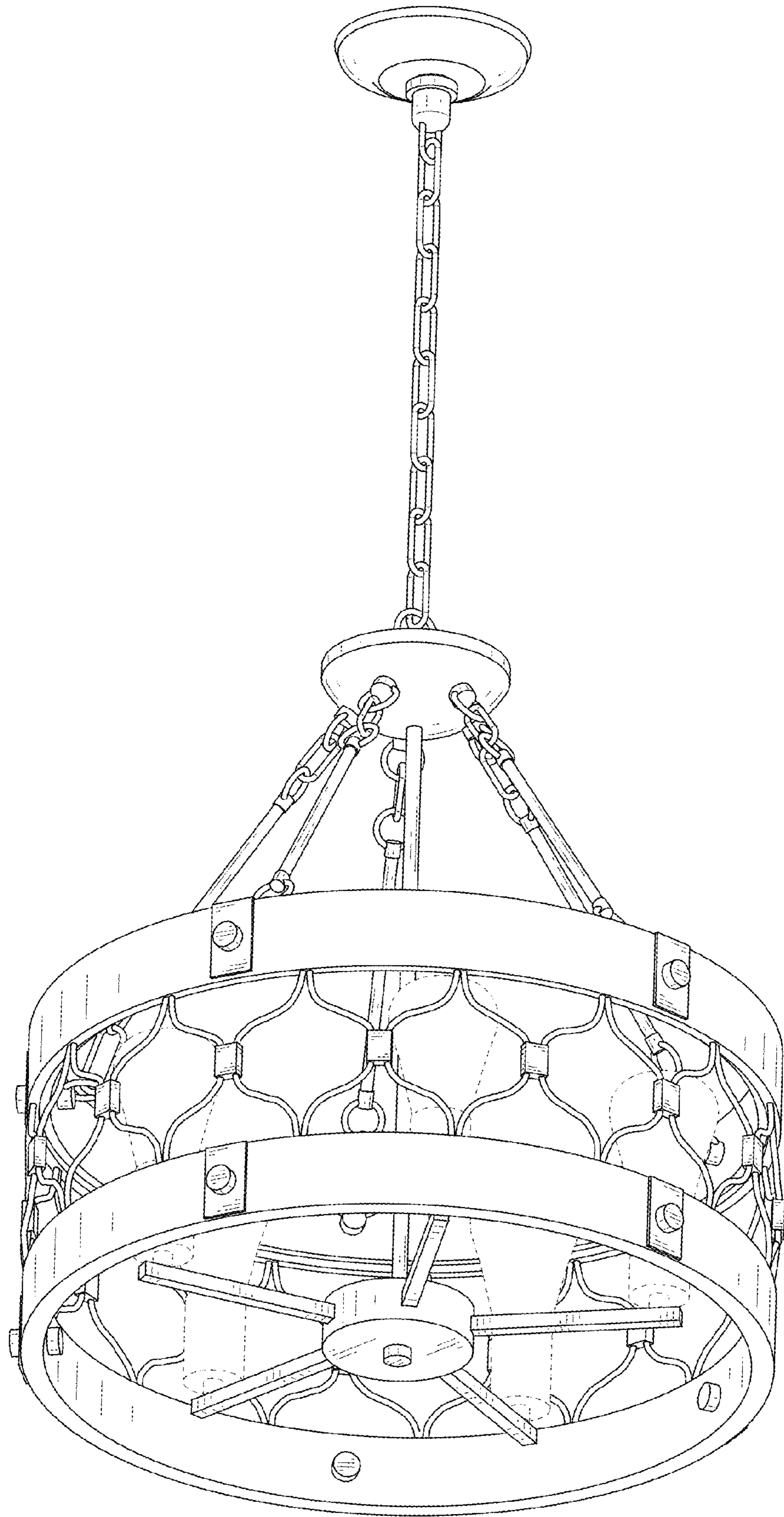


FIG. 10

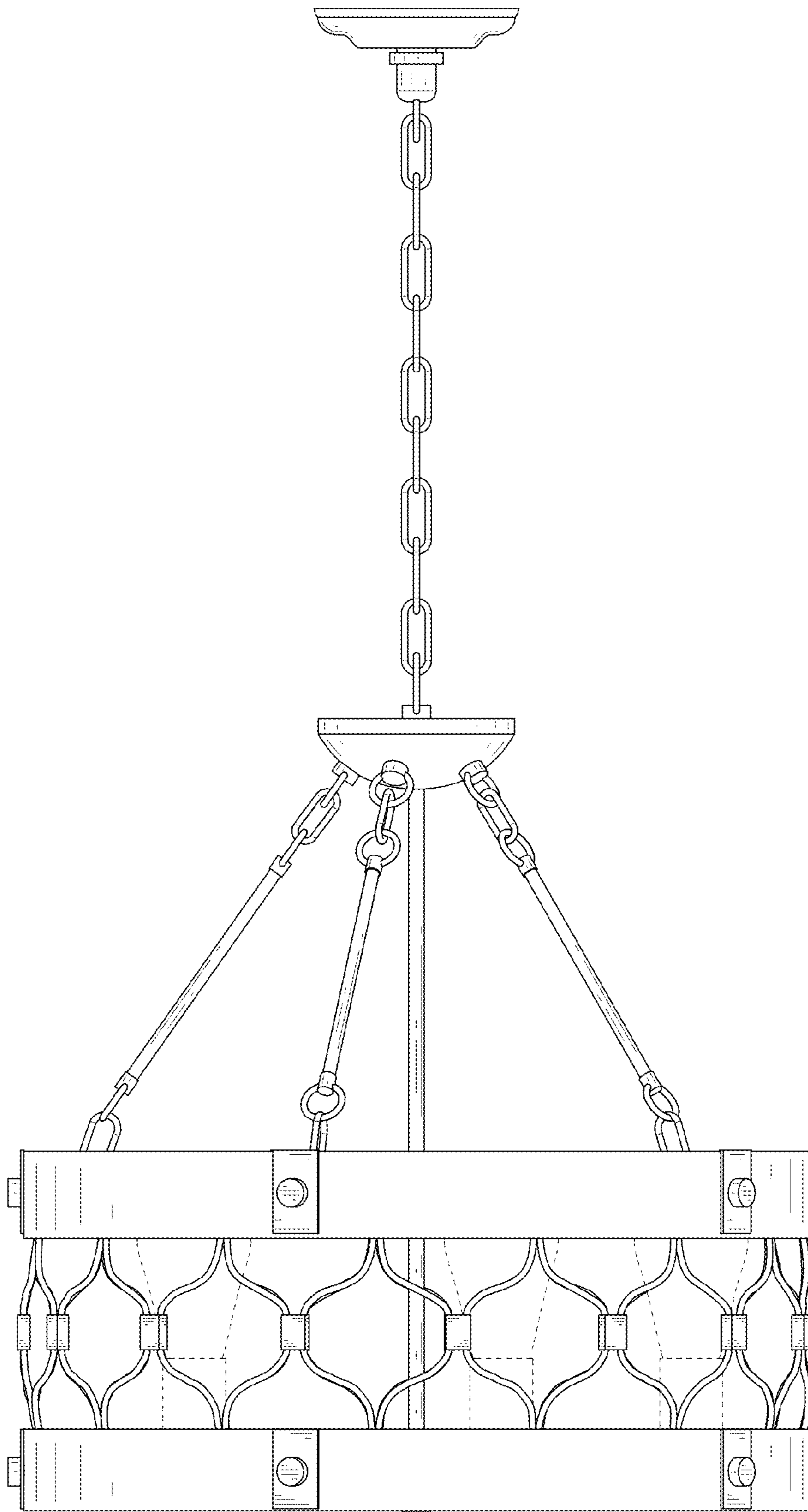


FIG. 11

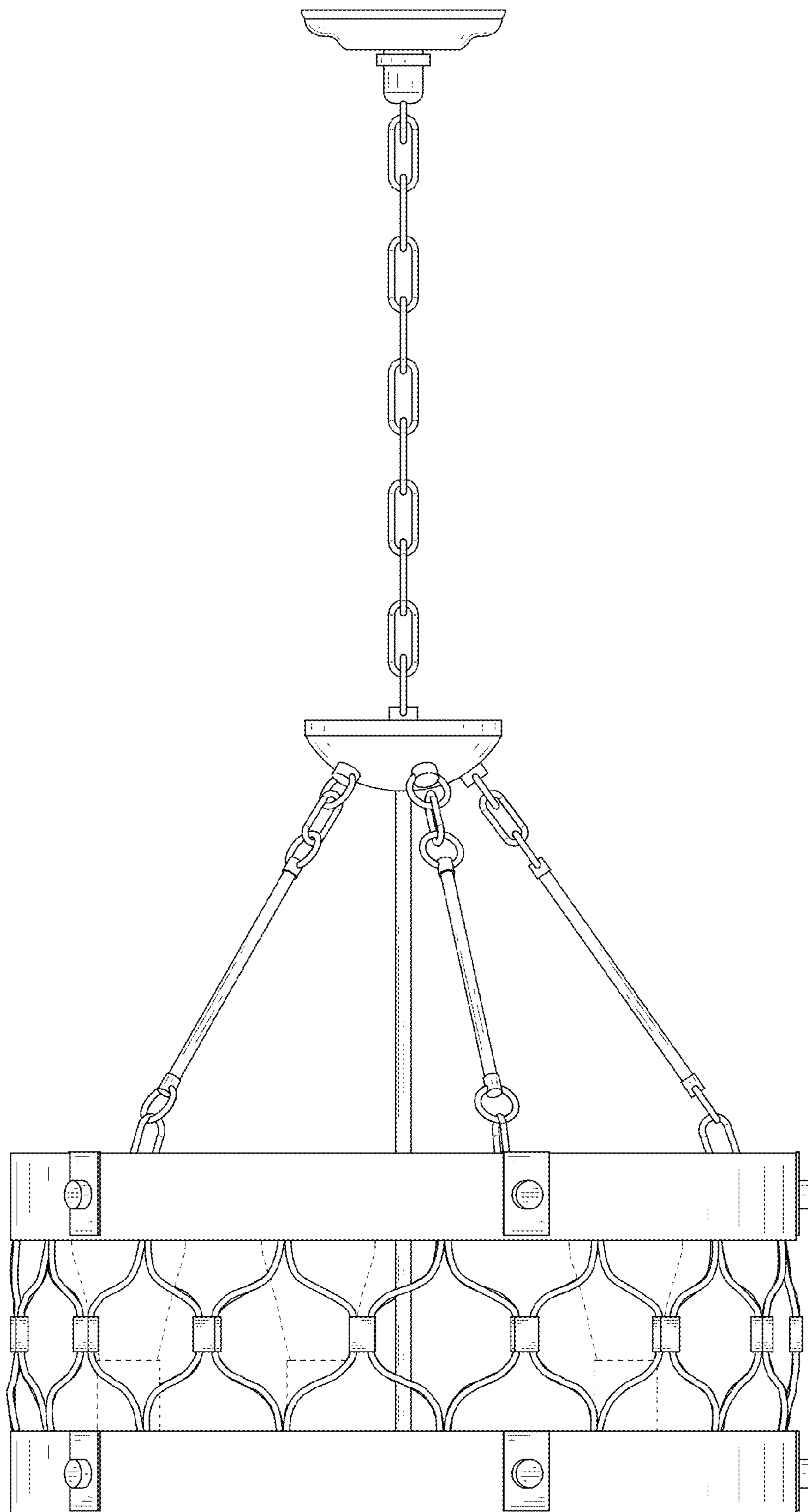


FIG. 12

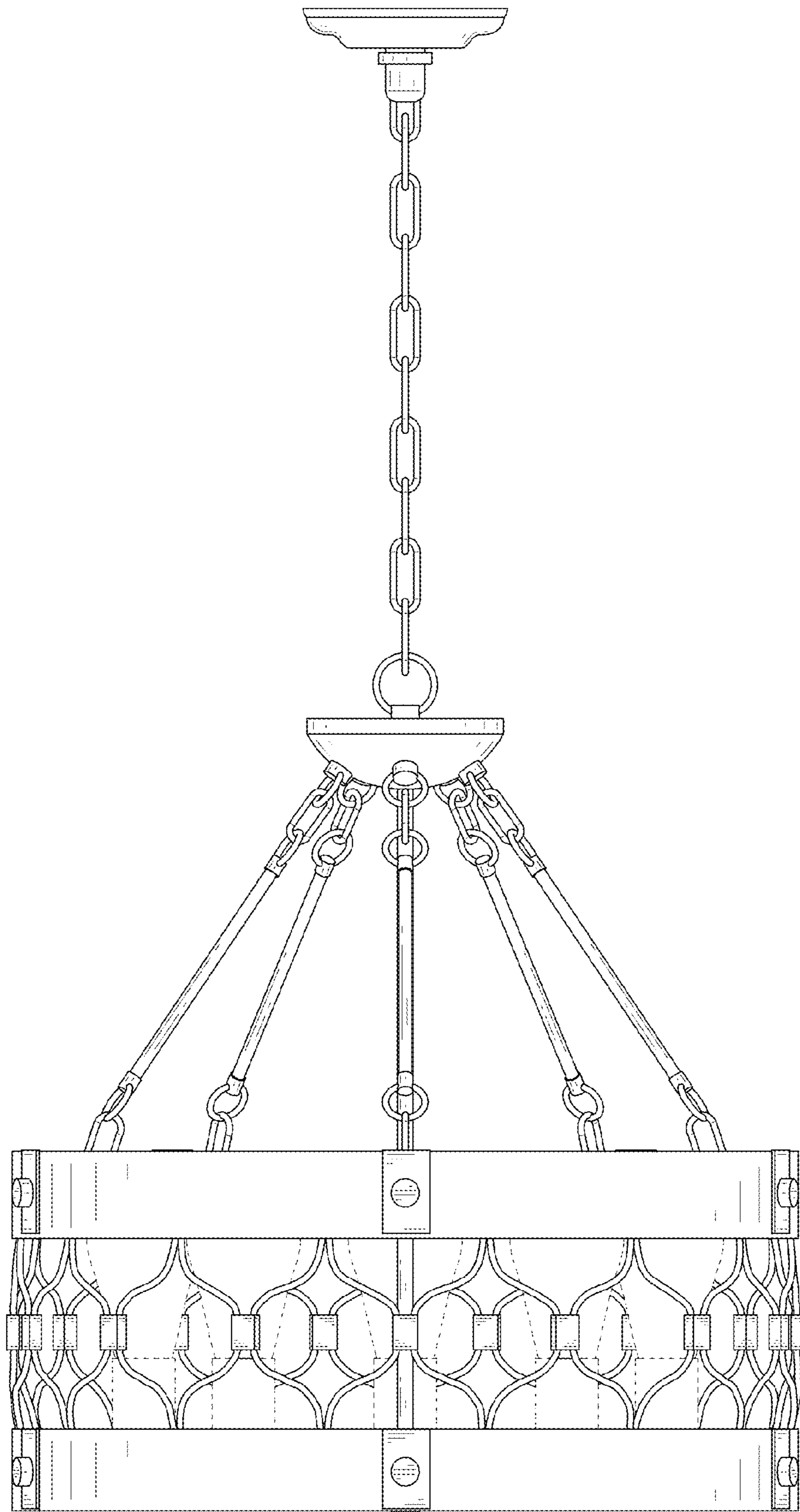


FIG. 13

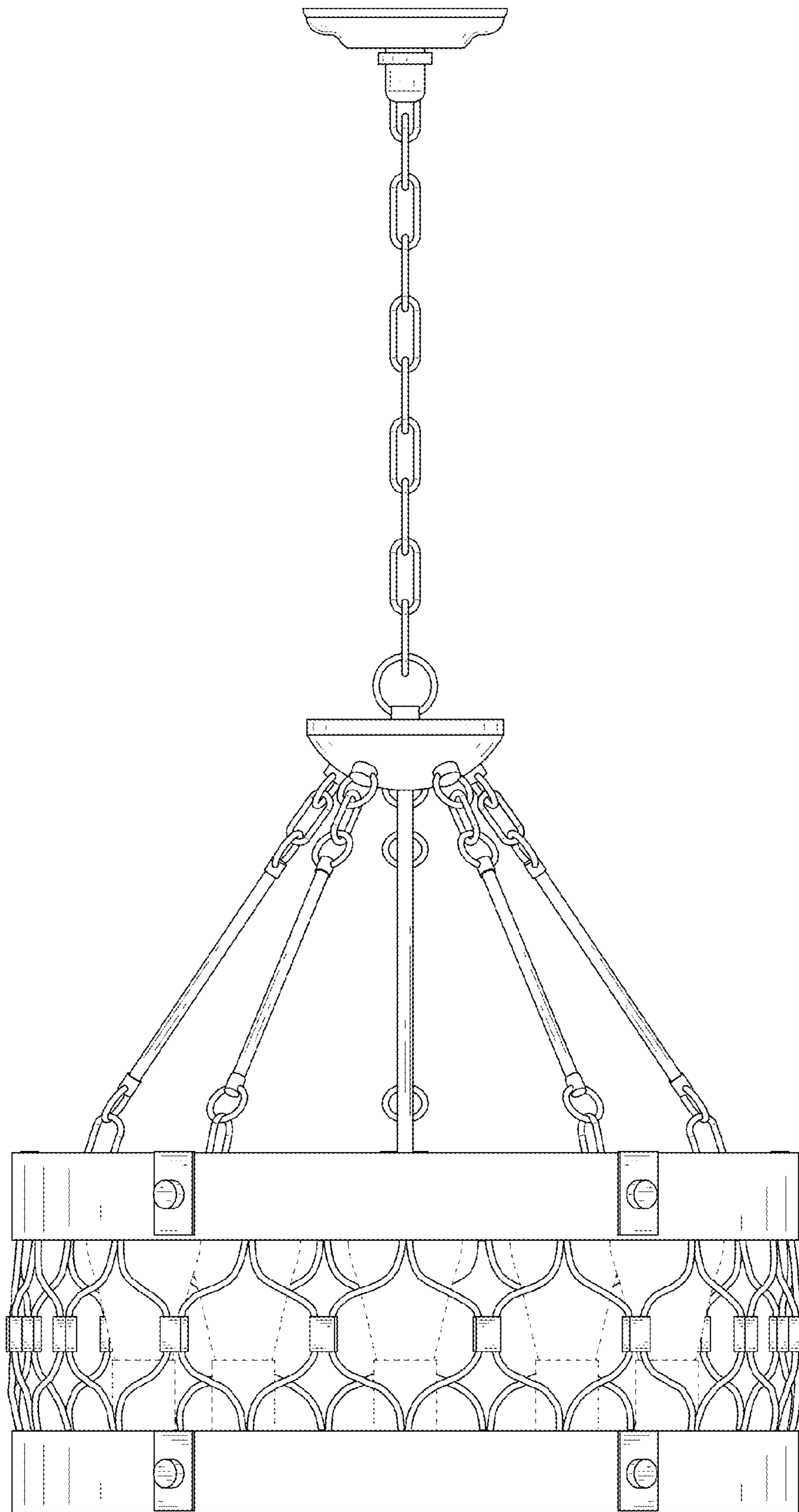


FIG. 14

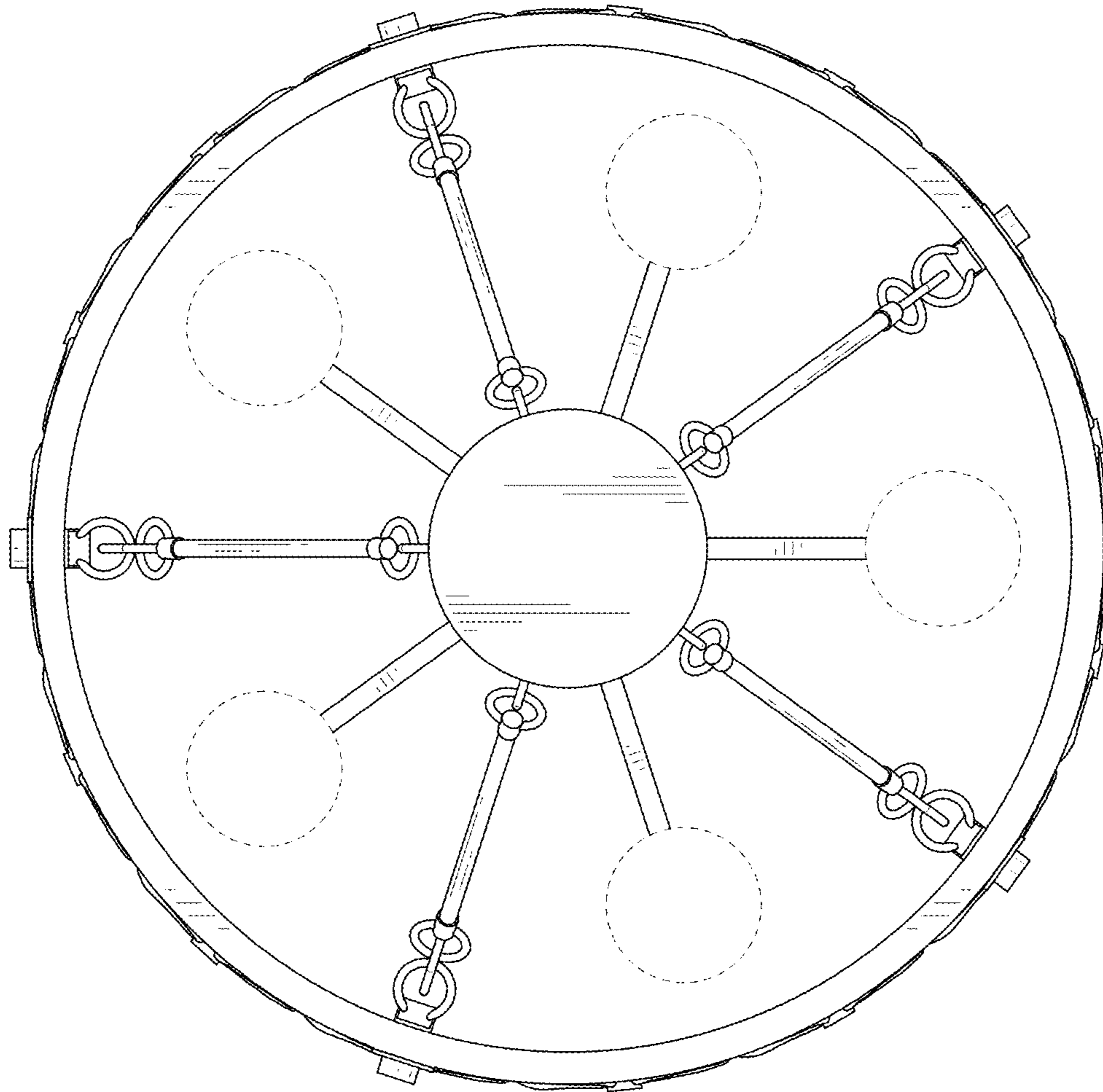


FIG. 15



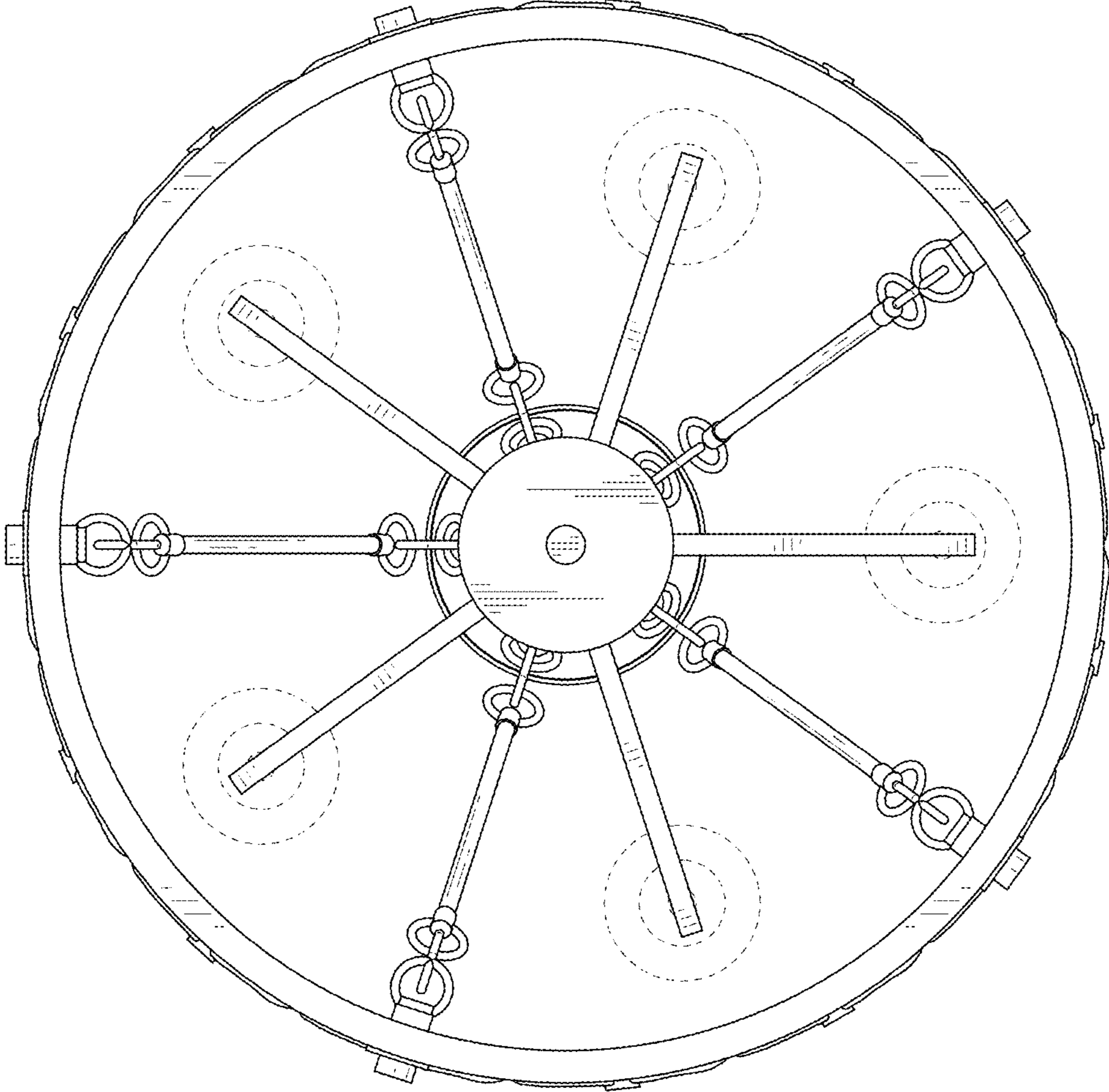


FIG. 16