



US00D929016S

(12) **United States Design Patent**
Hogan

(10) **Patent No.:** **US D929,016 S**

(45) **Date of Patent:** **** Aug. 24, 2021**

(54) **LIGHTING DEVICE**

(71) Applicant: **John Hogan**, Seattle, WA (US)

(72) Inventor: **John Hogan**, Seattle, WA (US)

(**) Term: **15 Years**

(21) Appl. No.: **29/703,930**

(22) Filed: **Aug. 30, 2019**

Related U.S. Application Data

(63) Continuation of application No. 29/598,556, filed on Mar. 27, 2017, now Pat. No. Des. 874,046.

(51) **LOC (13) Cl.** **26-04**

(52) **U.S. Cl.**
USPC **D26/76**

(58) **Field of Classification Search**
USPC D10/111-115; D13/134; D25/119, 126, D25/133, 135; D26/3, 37, 38, 39, 40, 42, D26/46, 48, 51, 54, 60, 61, 63, 64, 65, D26/66, 67, 71, 72, 74, 75, 78, 79, 80, D26/81, 82, 83, 85, 86, 88, 90, 91, 113, D26/118, 119, 120, 121, 122
CPC F21S 4/28; F21S 8/026; F21S 8/031; F21S 8/036; F21S 8/043; F21V 21/04; F21V 29/74; F21V 29/75; F21V 29/83
See application file for complete search history.

(56) **References Cited**

U.S. PATENT DOCUMENTS

D274,657 S * 7/1984 Herst D26/76
D423,133 S * 4/2000 Spitler D26/86

D423,134 S * 4/2000 Spitler D26/86
D547,898 S * 7/2007 Tseng D26/78
D554,793 S * 11/2007 Bobel D26/75
D604,885 S * 11/2009 Ford D26/76
D605,329 S * 12/2009 Watt D26/118
D605,343 S * 12/2009 Watt D26/118
D612,528 S * 3/2010 McGrath D26/76
D742,550 S * 11/2015 Mitchell D25/126
D786,483 S * 5/2017 Sonneman D26/90
D792,632 S * 7/2017 Amato D26/90
D869,000 S * 12/2019 Sonneman D26/113

* cited by examiner

Primary Examiner — Mark A Goodwin

Assistant Examiner — Benjamin M Weeks

(74) *Attorney, Agent, or Firm* — Timothy W. Menasco, Esq.; Harter Secrest & Emery LLP

(57) **CLAIM**

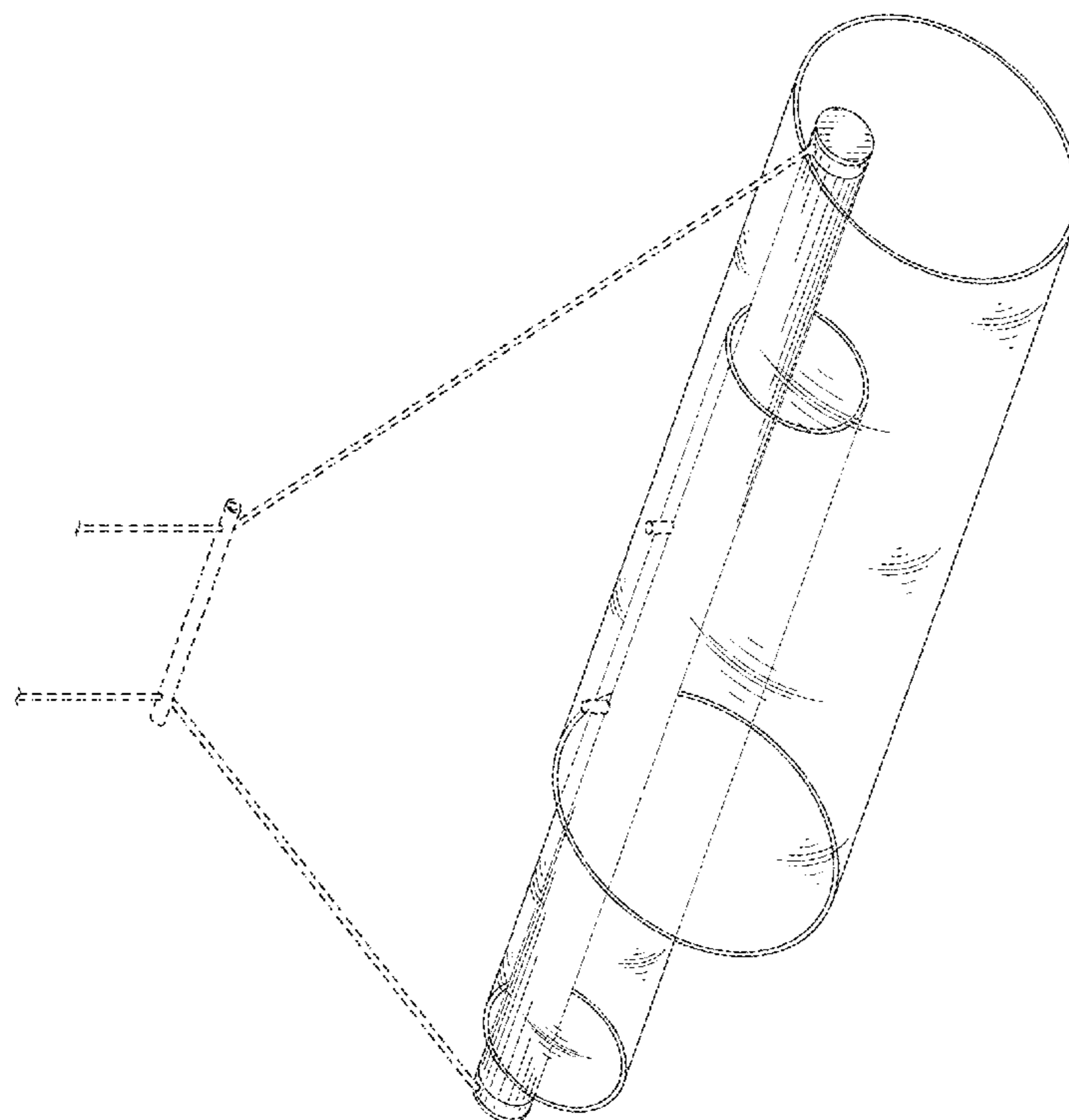
The ornamental design for a lighting device, as shown and described.

DESCRIPTION

FIG. 1 is a front perspective view of a lighting device in accordance with the present invention; FIG. 2 is a front side view thereof; FIG. 3 is a right side view thereof, a left side view being a mirror image thereof; FIG. 4 is a rear side view thereof; FIG. 5 is a top view thereof; and, FIG. 6 is a bottom view thereof.

The broken lines illustrate portions of the lighting device and form no part of the claimed design.

1 Claim, 6 Drawing Sheets



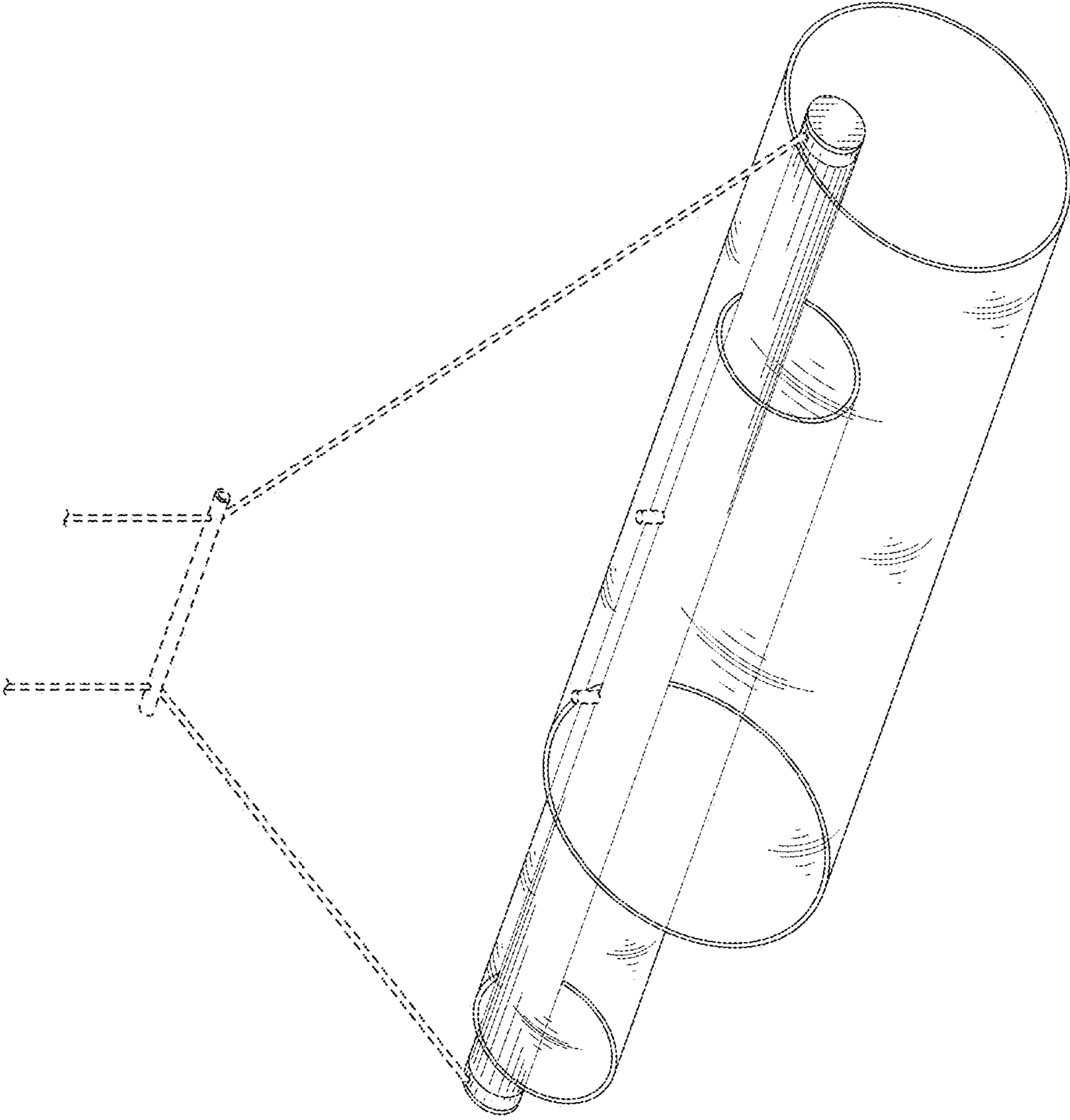


FIG. 1

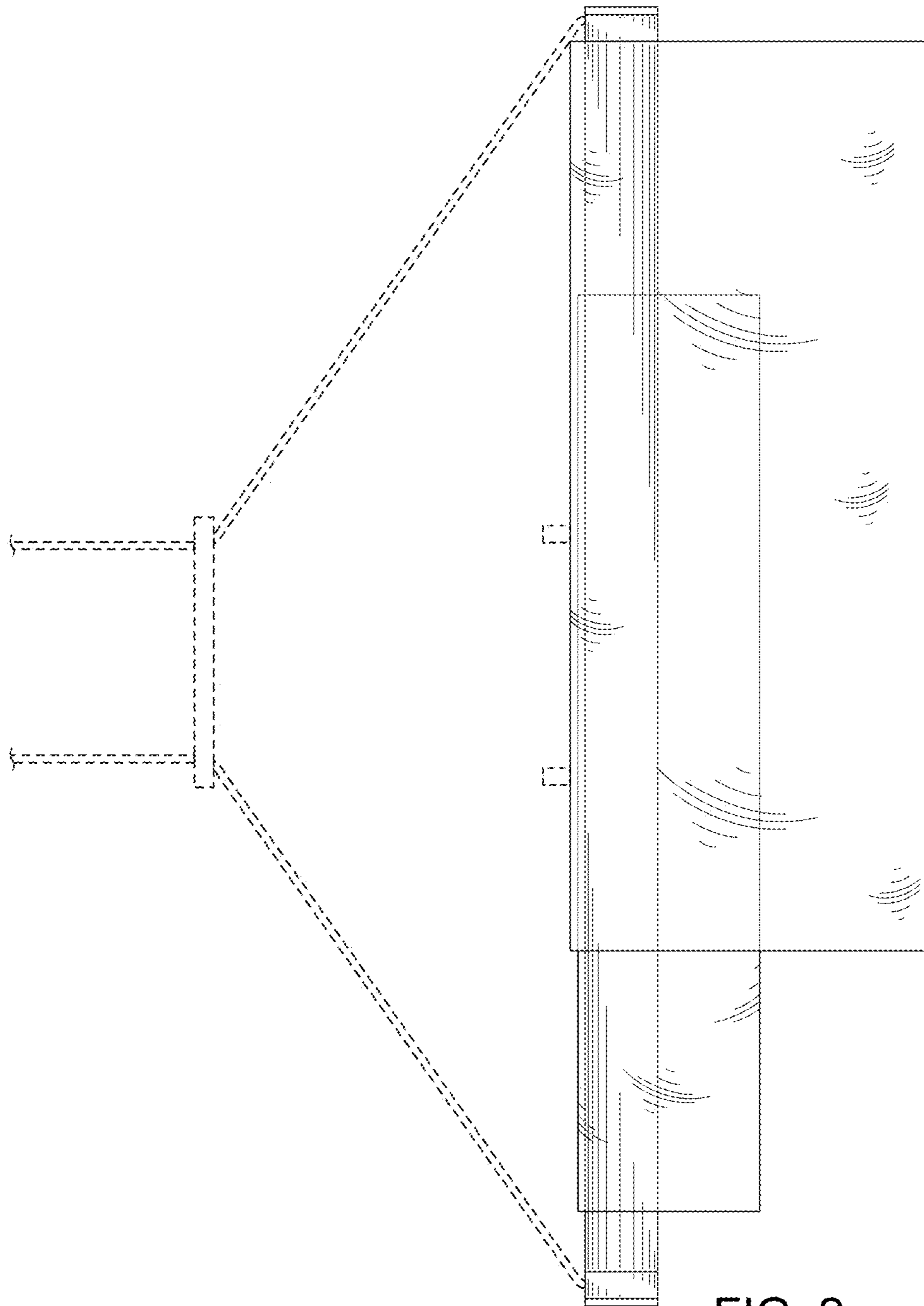


FIG. 2

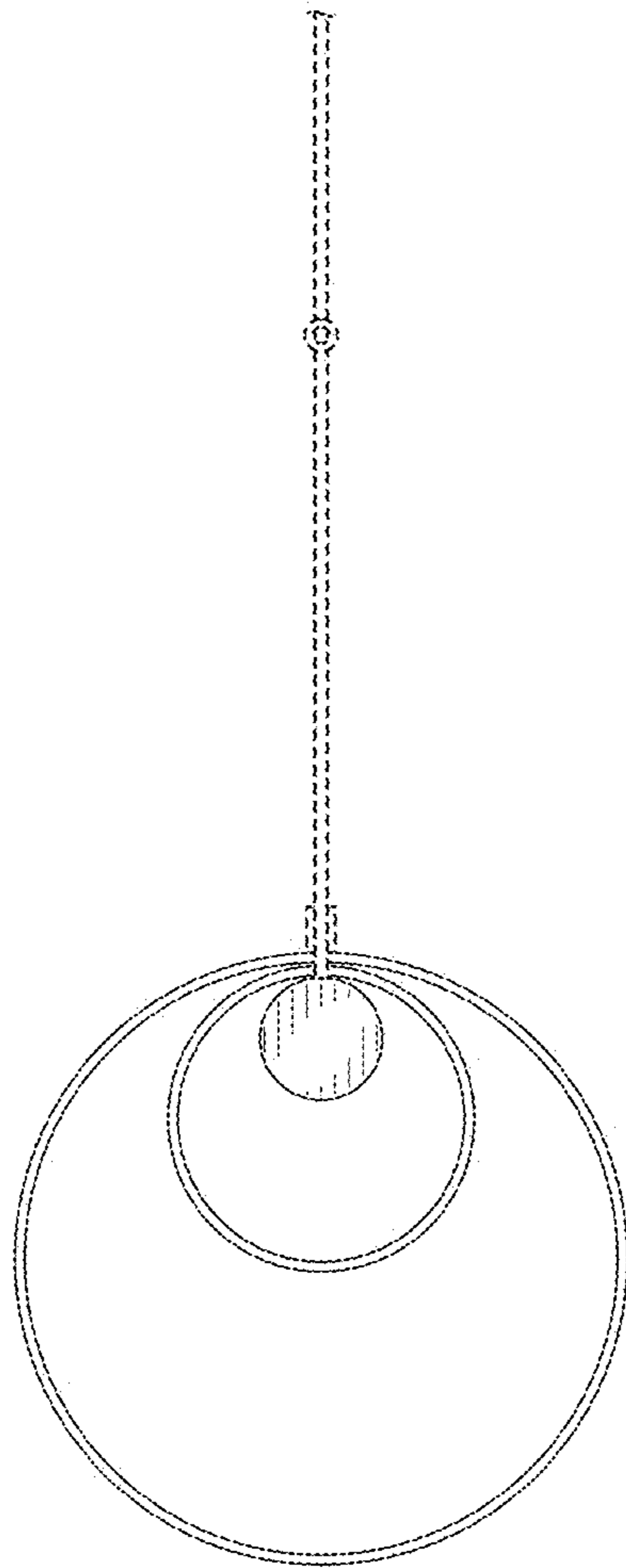


FIG. 3

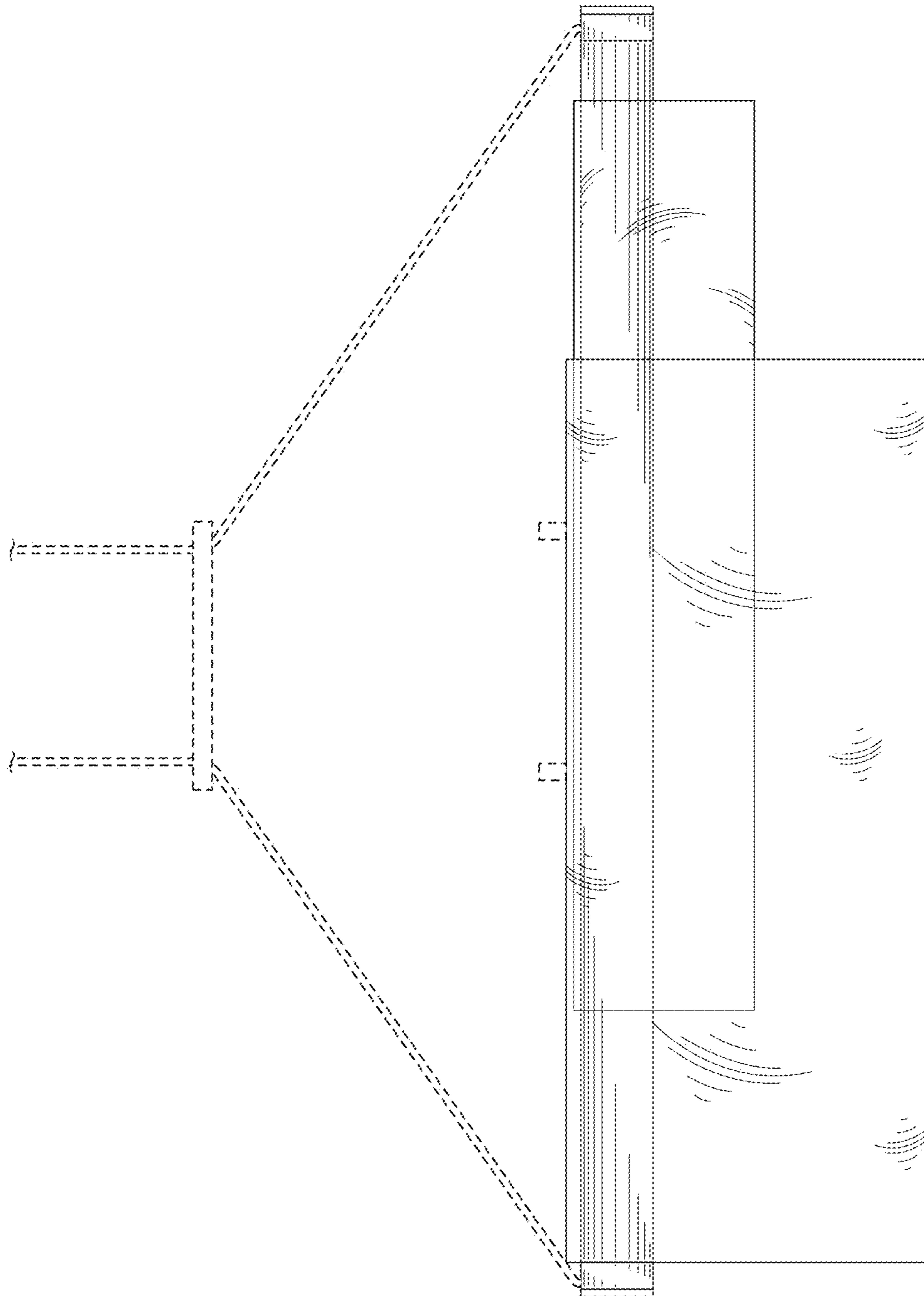


FIG. 4

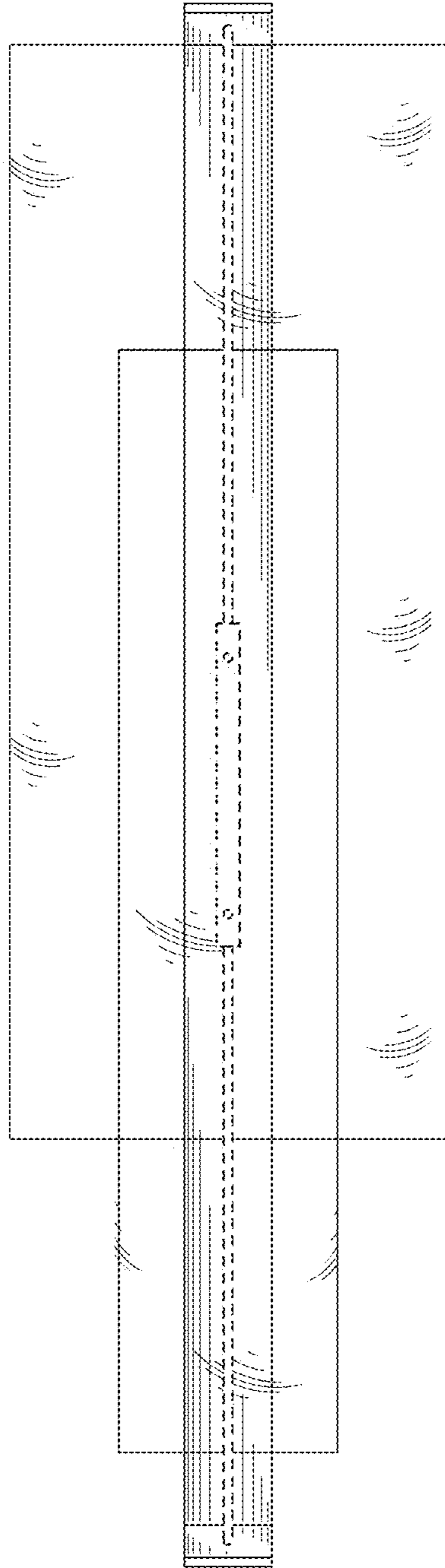


FIG. 5

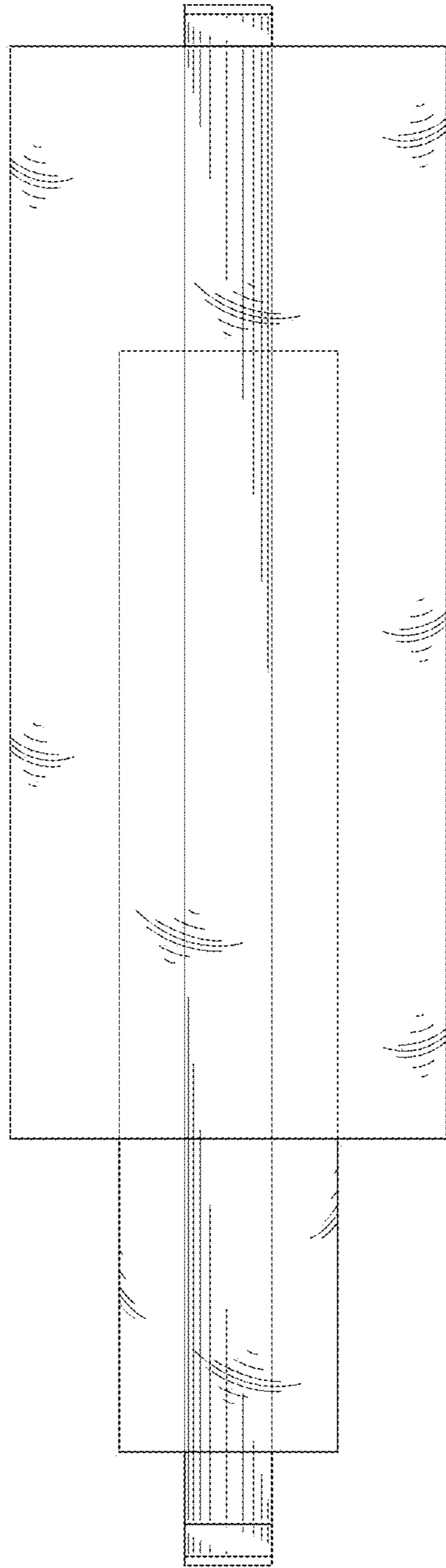


FIG. 6