



US00D929015S

(12) **United States Design Patent** (10) **Patent No.:** **US D929,015 S**
Lewis, Jr. et al. (45) **Date of Patent:** **** Aug. 24, 2021**

(54) **LIGHTING FIXTURE**

(71) Applicant: **ABL IP Holding LLC**, Atlanta, GA
(US)

(72) Inventors: **Paul W. Lewis, Jr.**, Grantville, GA
(US); **Eric O. Rodriguez**, Decatur, GA
(US)

(73) Assignee: **ABL IP Holding LLC**, Atlanta, GA
(US)

(**) Term: **15 Years**

(21) Appl. No.: **29/694,088**

(22) Filed: **Jun. 7, 2019**

(51) **LOC (13) Cl.** **26-04**

(52) **U.S. Cl.**
USPC **D26/76**

(58) **Field of Classification Search**
USPC D26/24, 25, 26, 27, 60–69, 72, 74, 75,
D26/76, 77, 78, 80, 81, 82, 83, 85, 86,
(Continued)

(56) **References Cited**

U.S. PATENT DOCUMENTS

D246,330 S * 11/1977 Krase F21V 23/003
D26/76
D331,119 S * 11/1992 Hagebo H05B 45/10
D26/76

(Continued)

FOREIGN PATENT DOCUMENTS

CN 303322728 * 8/2015
CN 303360997 * 9/2015
CN 304585185 * 4/2018

OTHER PUBLICATIONS

“60 Watt Hazardous Location Integrated LED Light,” Oct. 15, 2015,
amazon.com, site visited Nov. 20, 2020, URL: <https://www.amazon.com/Hazardous-Location-Integrated-Light-Fixture/dp/B016OZHCUK> (Year: 2015).*

com/Hazardous-Location-Integrated-Light-Fixture/dp/B016OZHCUK (Year: 2015).*

(Continued)

Primary Examiner — Eric L Goodman

Assistant Examiner — Sarah L Smith

(74) *Attorney, Agent, or Firm* — Kilpatrick Townsend & Stockton LLP

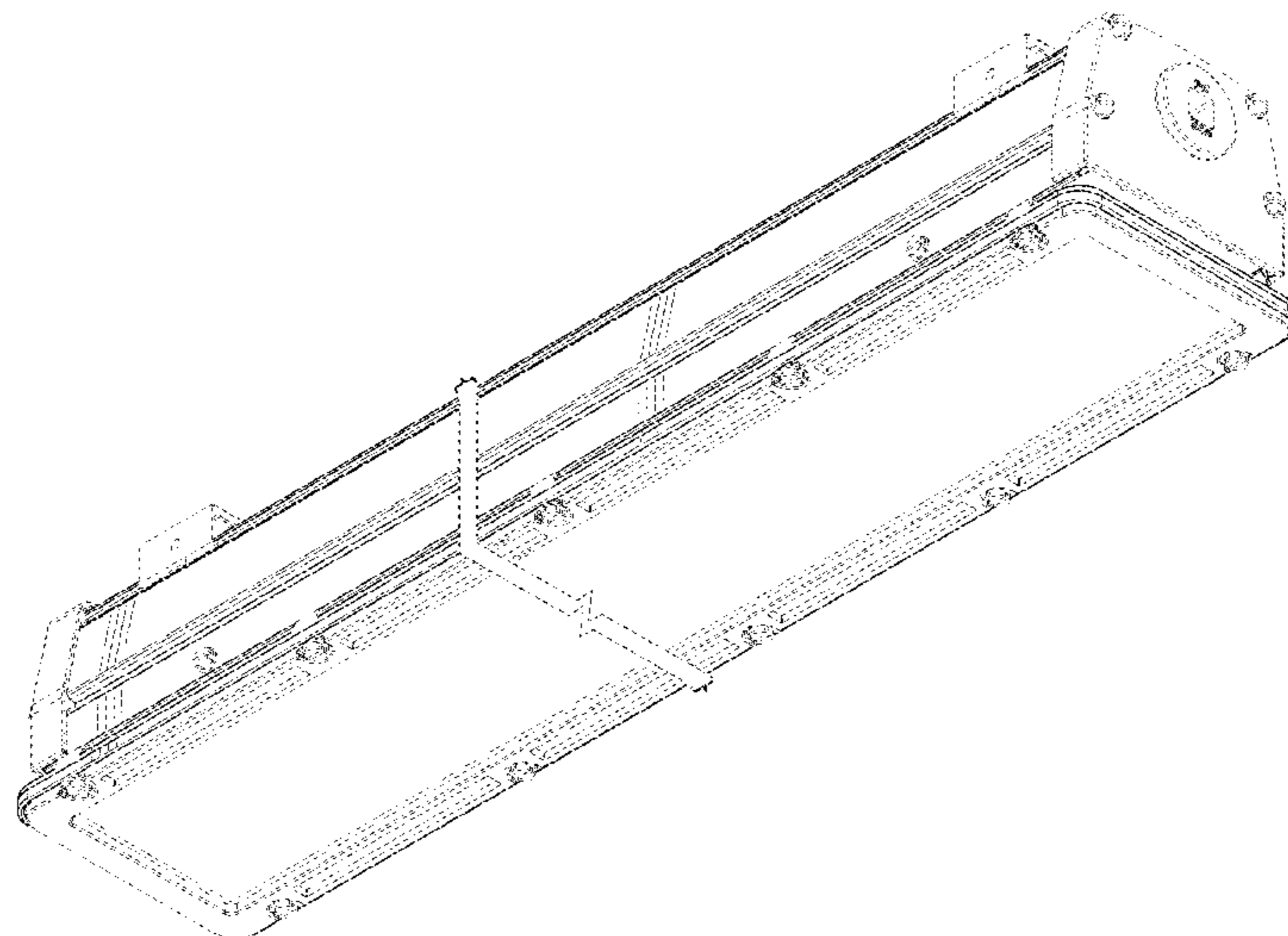
(57) **CLAIM**

The ornamental design for a lighting fixture, as shown and described.

DESCRIPTION

FIG. 1 is an isometric view of a lighting fixture.
FIG. 2 is a side view of the lighting fixture of FIG. 1.
FIG. 3 is another side view of the lighting fixture of FIG. 1.
FIG. 4 is another side view of the lighting fixture of FIG. 1.
FIG. 5 is another side view of the lighting fixture of FIG. 1.
FIG. 6 is a top view of the lighting fixture of FIG. 1.
FIG. 7 is a bottom view of the lighting fixture of FIG. 1.
FIG. 8 is an isometric view of another lighting fixture.
FIG. 9 is a side view of the lighting fixture of FIG. 8.
FIG. 10 is another side view of the lighting fixture of FIG. 8.
FIG. 11 is another side view of the lighting fixture of FIG. 8.
FIG. 12 is another side view of the lighting fixture of FIG. 8.
FIG. 13 is a top view of the lighting fixture of FIG. 8; and, FIG. 14 is a bottom view of the lighting fixture of FIG. 8.
The broken lines in the drawings denote structure that is not part of the claimed design.
The lighting fixture is shown with a symbolic break in its length. The appearance of any portion of the article between the break lines forms no part of the claimed design.

1 Claim, 14 Drawing Sheets



- (58) **Field of Classification Search**
 USPC D26/88, 89, 93, 104, 106, 108–115, 118,
 D26/120; D10/111–115
 CPC F21S 8/00; F21S 8/03; F21S 8/04; F21S
 8/026; F21S 8/046; F21S 8/088; F21V
 15/00; F21V 15/01
 See application file for complete search history.

D899,662 S * 10/2020 Chami D26/76
 D900,374 S * 10/2020 Luo D26/85
 2015/0055341 A1* 2/2015 Adinolfi F21S 2/005
 362/235
 2019/0024876 A1* 1/2019 Patel
 2020/0178363 A1* 6/2020 Zhang H05B 45/10
 2020/0386397 A1* 12/2020 Lewis F21V 17/16

(56) **References Cited**

U.S. PATENT DOCUMENTS

D589,638 S * 3/2009 Collins F21S 2/005
 D26/72
 D663,065 S * 7/2012 Beghelli F21V 3/0625
 D26/76
 D664,700 S * 7/2012 Ferguson D26/76
 D709,238 S * 7/2014 May D26/72
 D714,484 S * 9/2014 Barnes D26/72
 D760,416 S * 6/2016 Hoch D26/72
 D773,108 S * 11/2016 Anderson D26/118
 9,574,751 B1* 2/2017 Eubanks F21V 15/015
 9,618,189 B1* 4/2017 Eubanks F21V 3/0625
 9,976,735 B2 5/2018 Honda et al.
 D883,548 S * 5/2020 Hand D26/63
 D886,361 S * 6/2020 Chami D26/118
 D895,873 S * 9/2020 Yang D26/63

OTHER PUBLICATIONS

“Lighting,” 2017, PDF p. 3, pdfroom.com, site visited Nov. 20, 2020, URL: <https://pdfroom.com/books/lighting/9zk2AjYk5PJ> (Year: 2017).*

“4 Foot LED Light Fixtures, Flush Mount LED Shop Lights,” May 23, 2018, amazon.com, site visited Nov. 19, 2020, URL: https://www.amazon.com/Monios-L-Daylight-Wraparound-Workbench-Warehouse/dp/B07D8H7KDQ/ref=sr_1_106?dchild=1&keywords=linkable+led+light&qid=1605807973&s=hi&sr=1-106 (Year: 2018).*

“2w IP67 Explosion proof LED Light Tri-proof LED,” Jun. 12, 2018, amazon.com, site visited Feb. 11, 2021, URL: https://www.amazon.com/Explosion-Tri-proof-Interner-Lighting-110V-220V/dp/B07DPHJL6B/ref=sr_1_138?dchild=1&keywords=Explosion%2BProof%2BLighting&qid=1613074177&sr=8-138&th=1 (Year: 2018).*

* cited by examiner

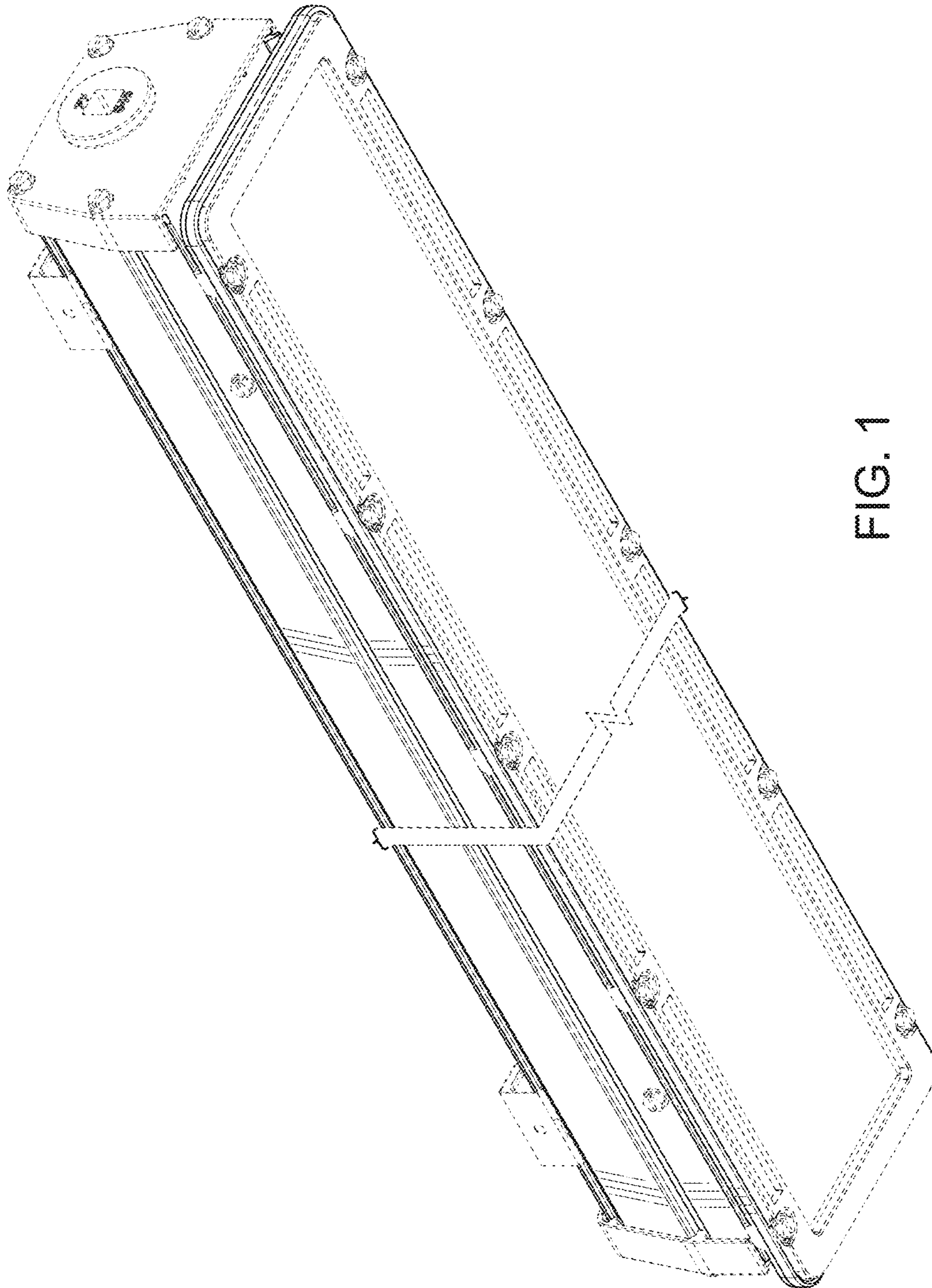


FIG. 1

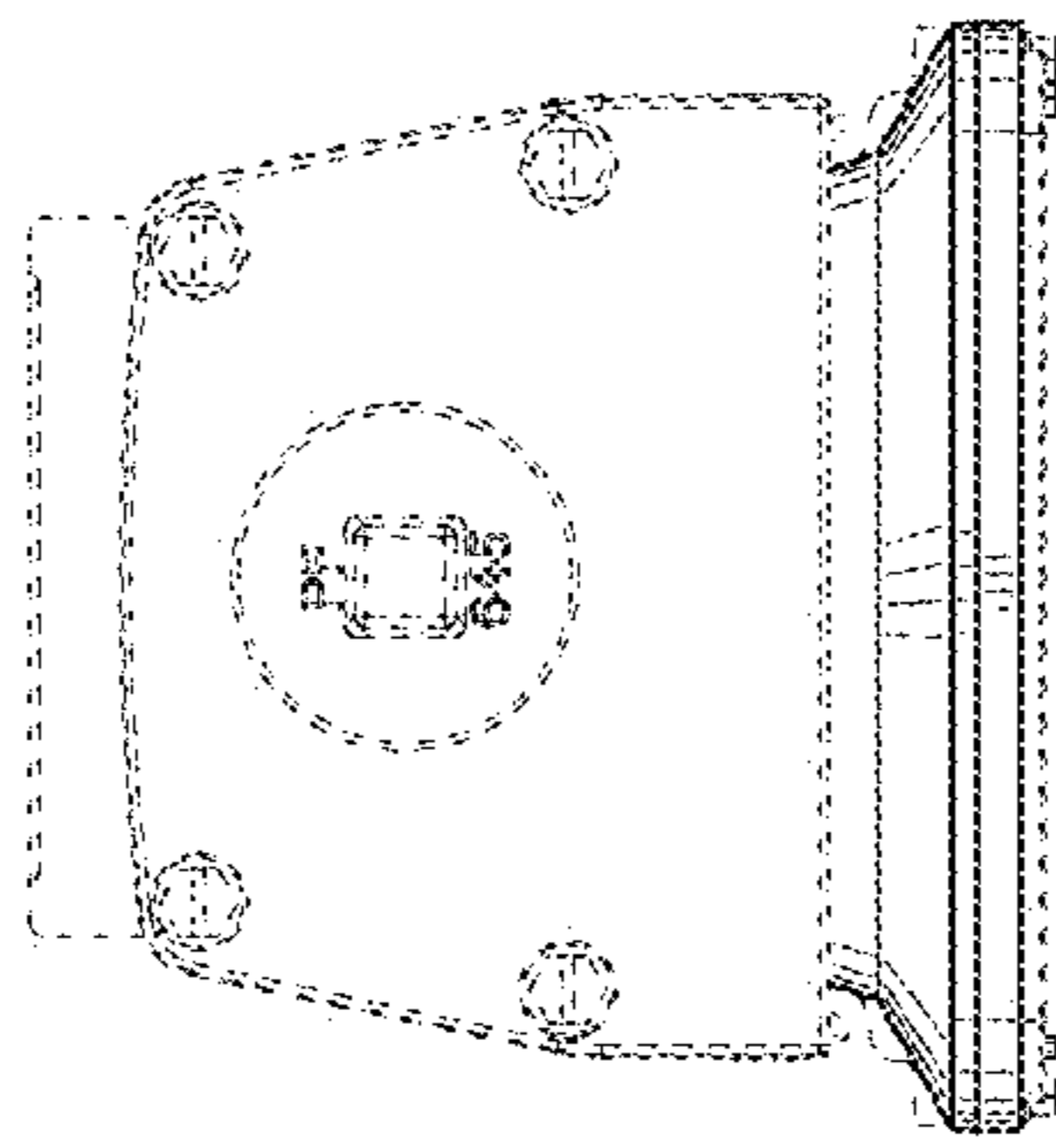


FIG. 2

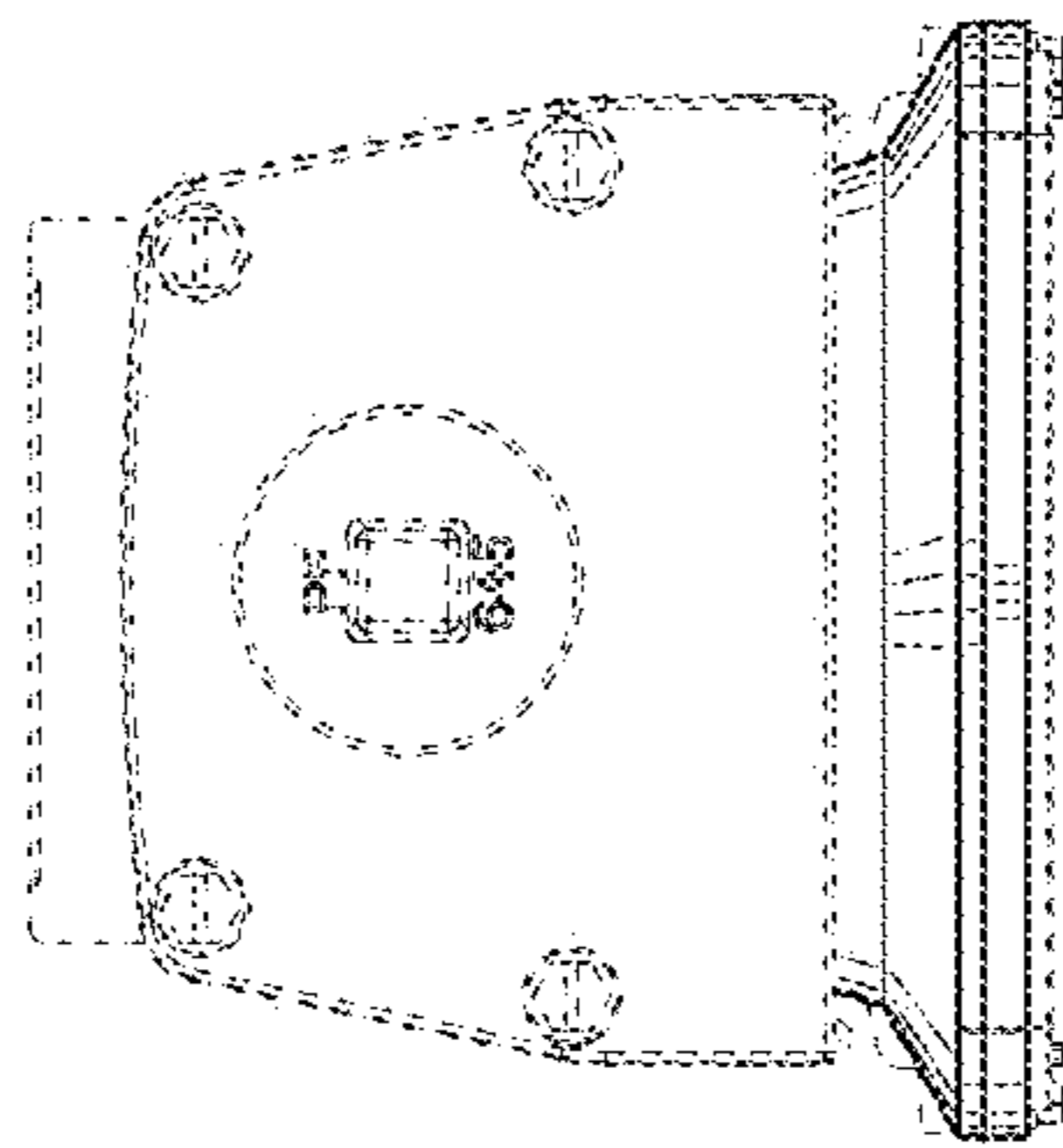


FIG. 3

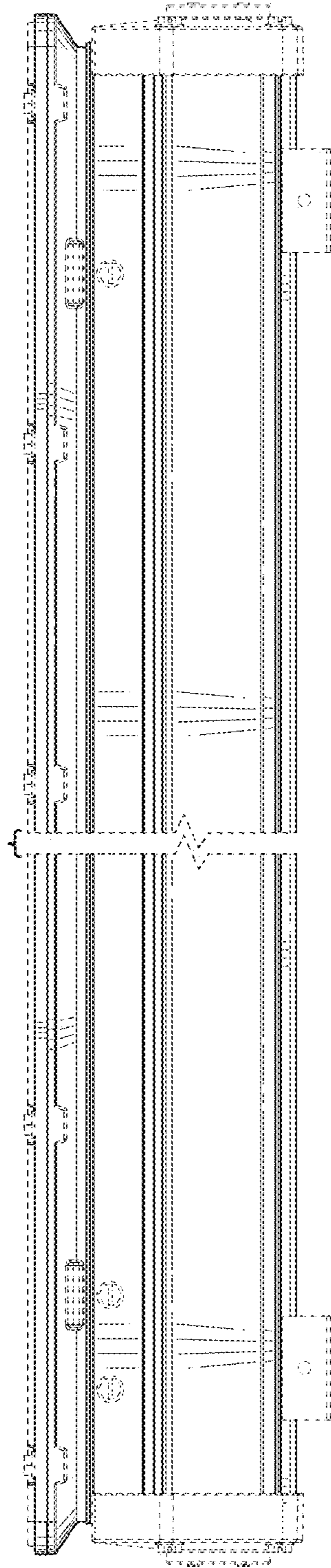


FIG. 4

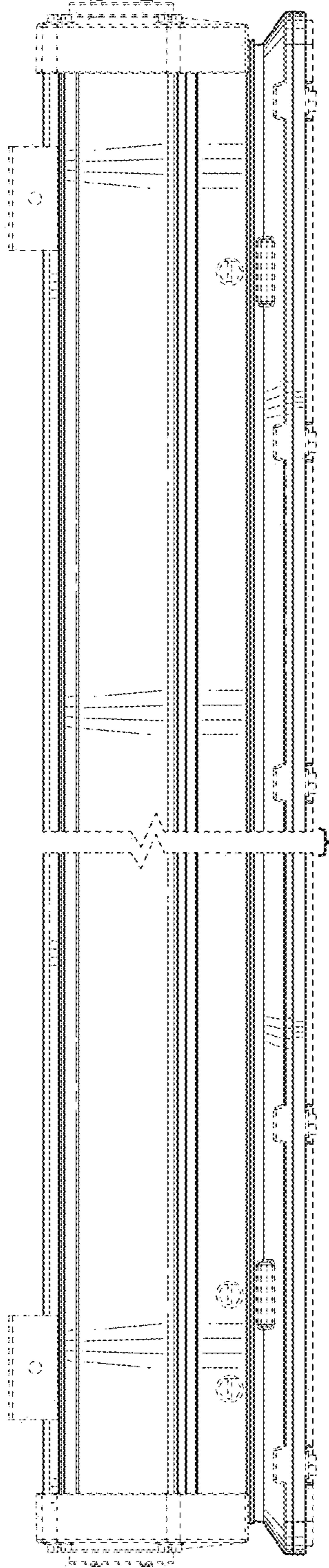


FIG. 5

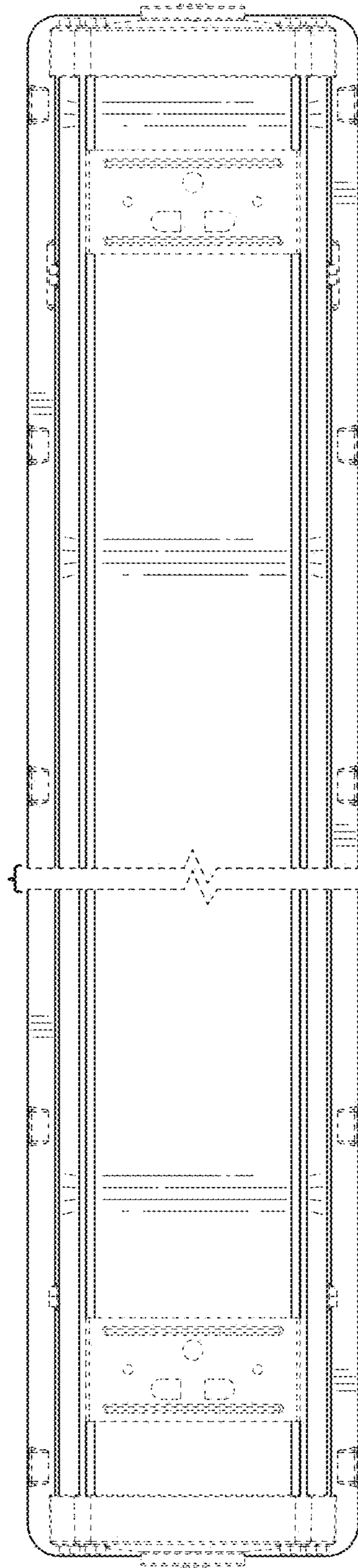


FIG. 6

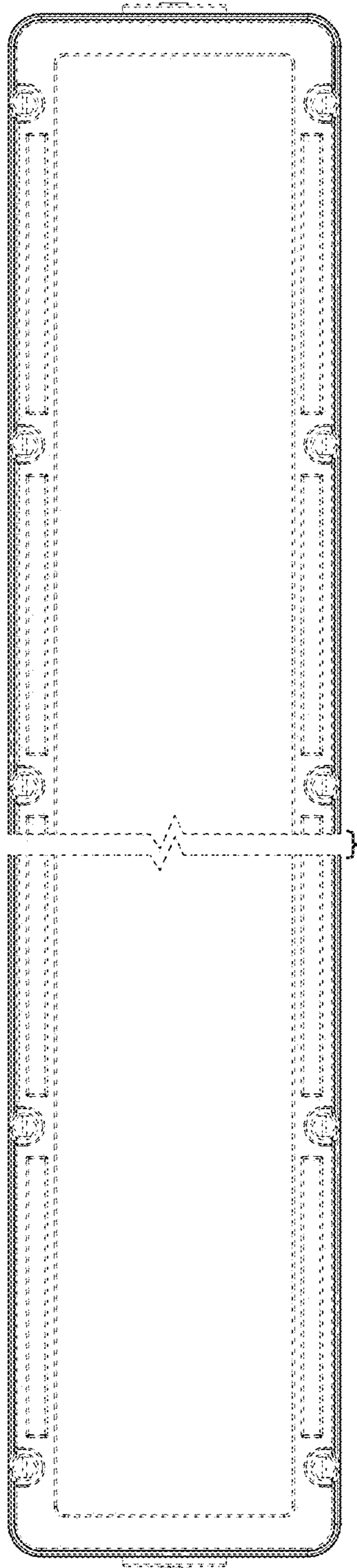


FIG. 7

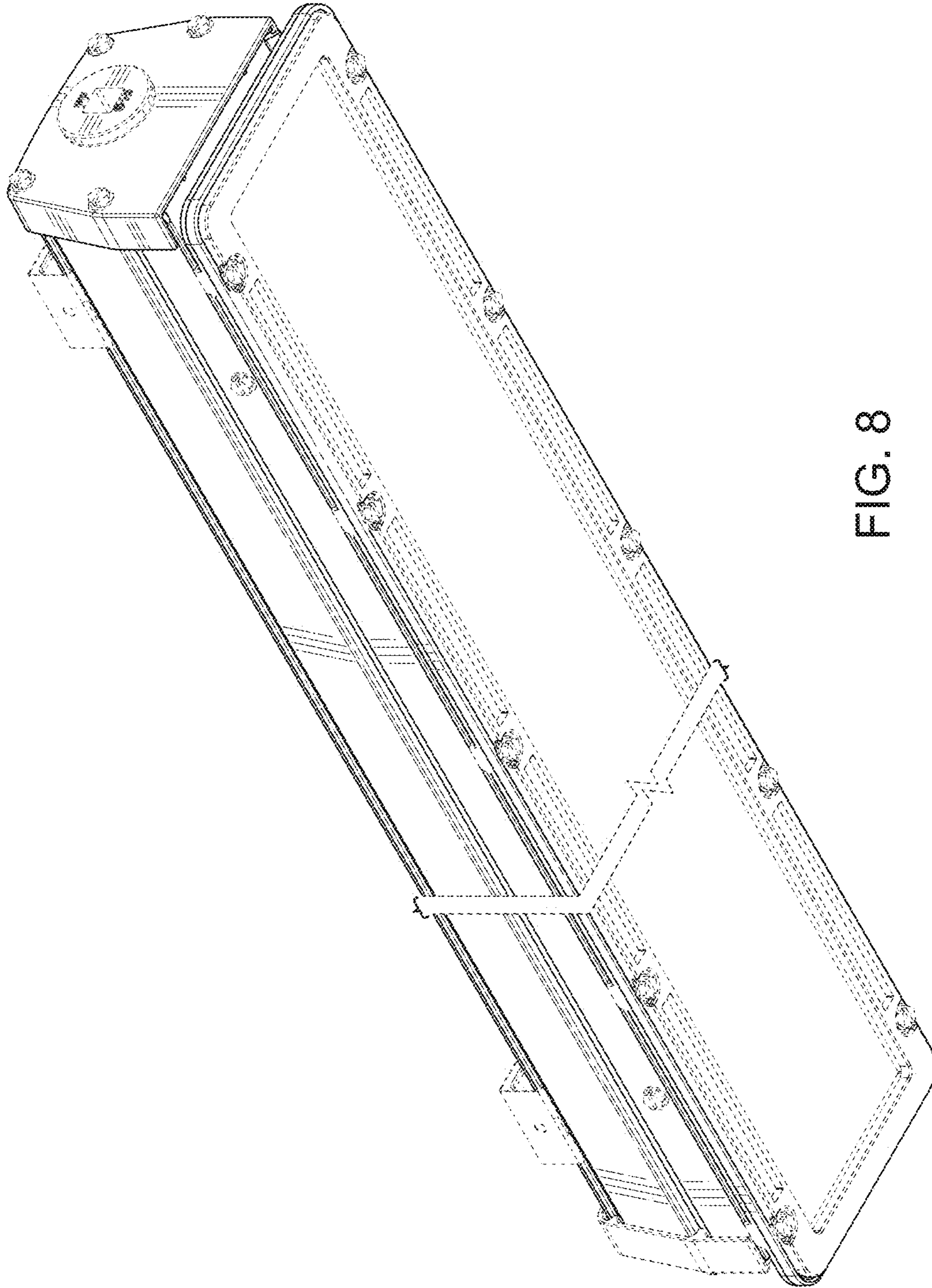


FIG. 8

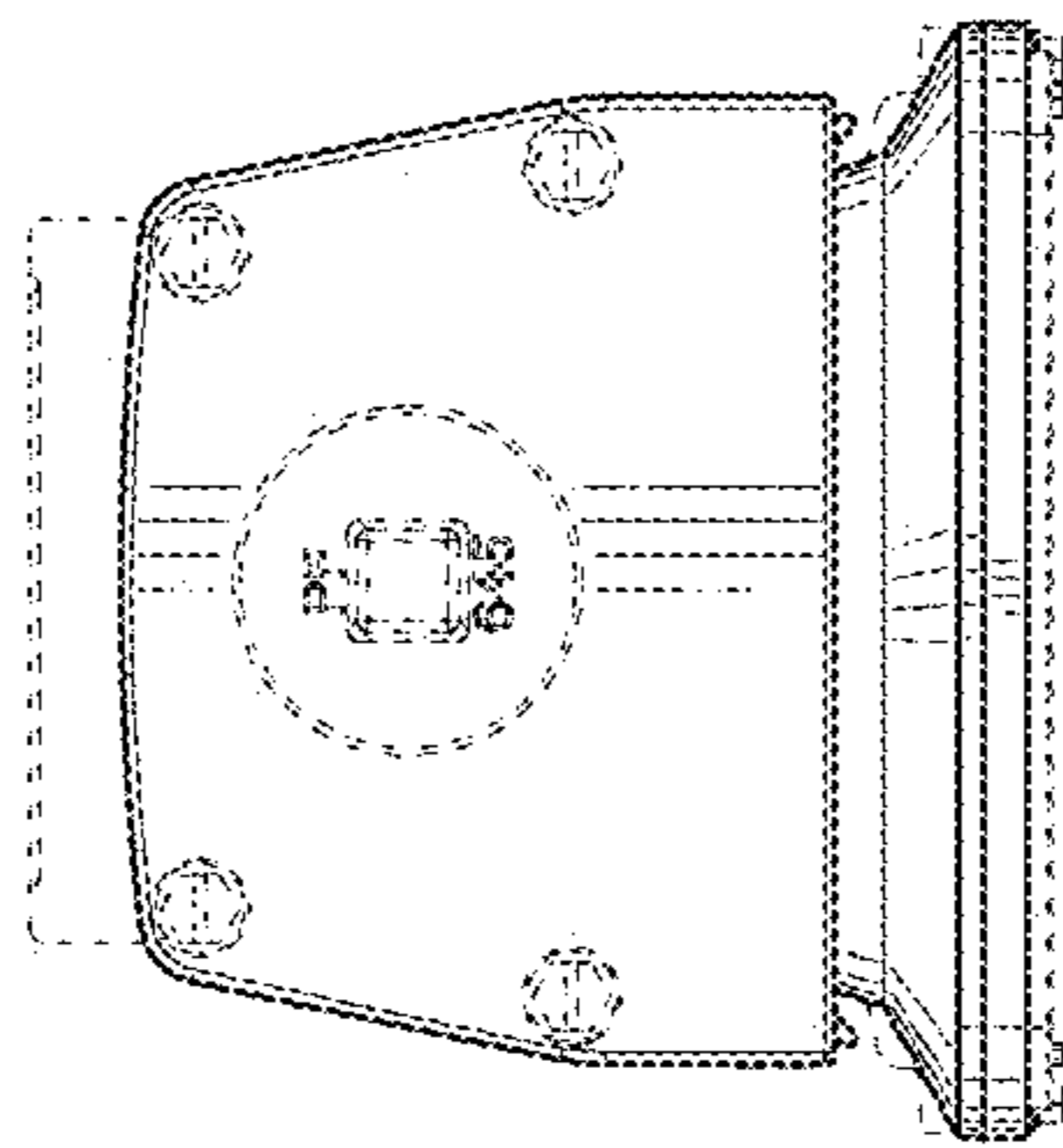


FIG. 9

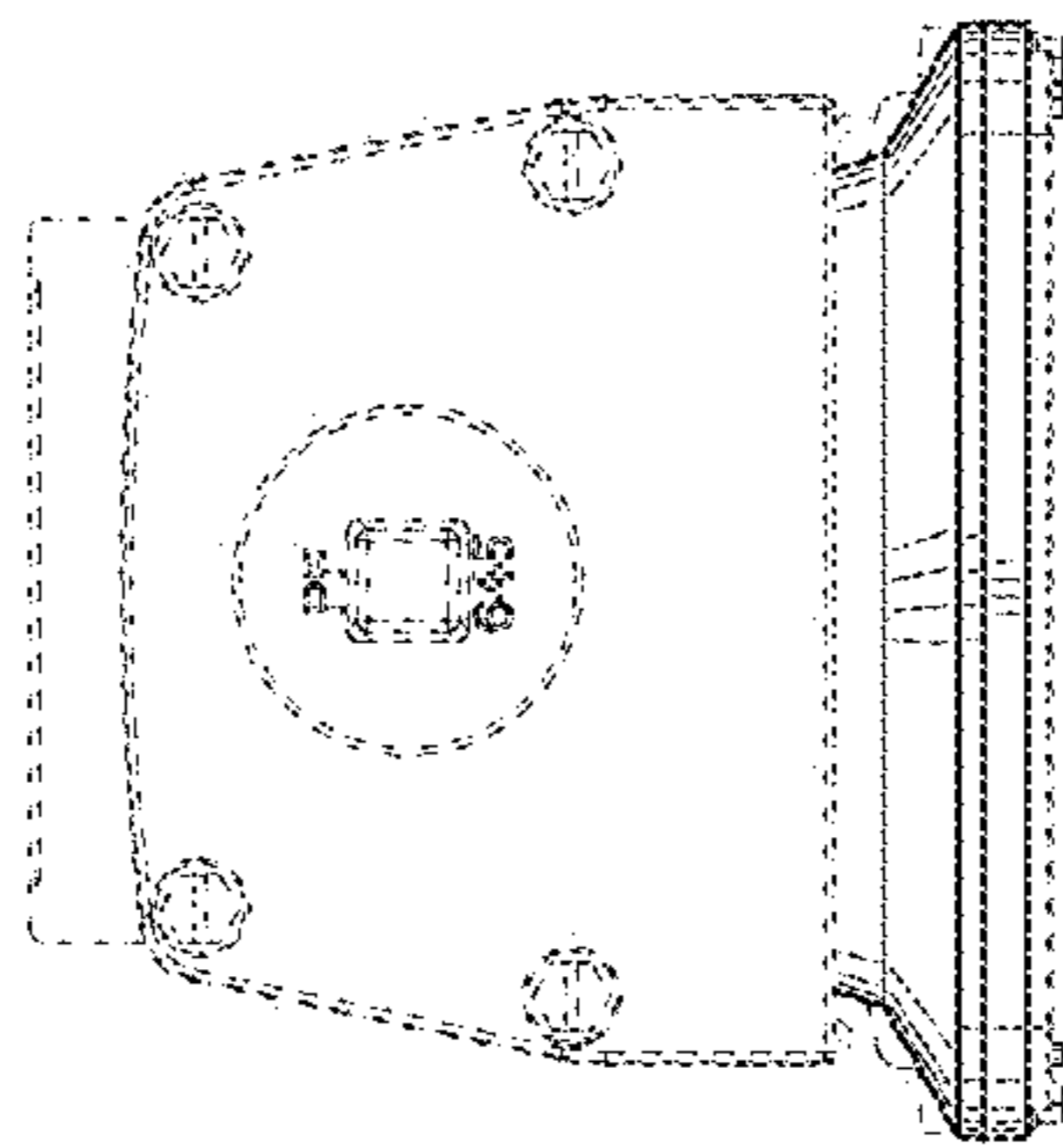


FIG. 10

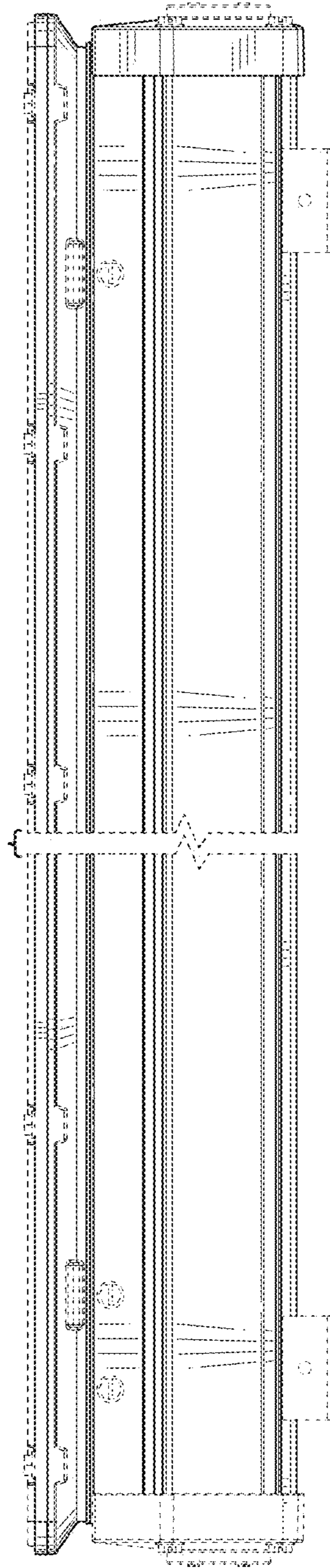


FIG. 11

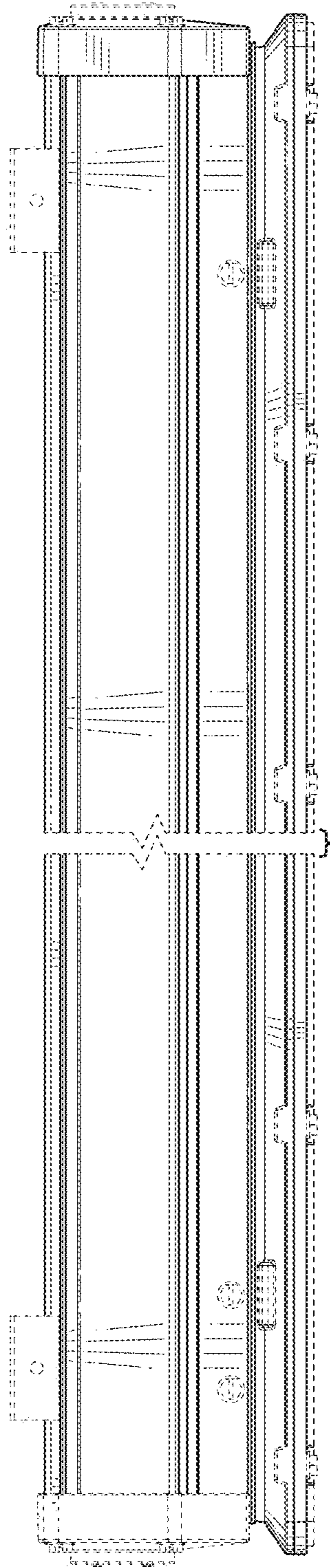


FIG. 12

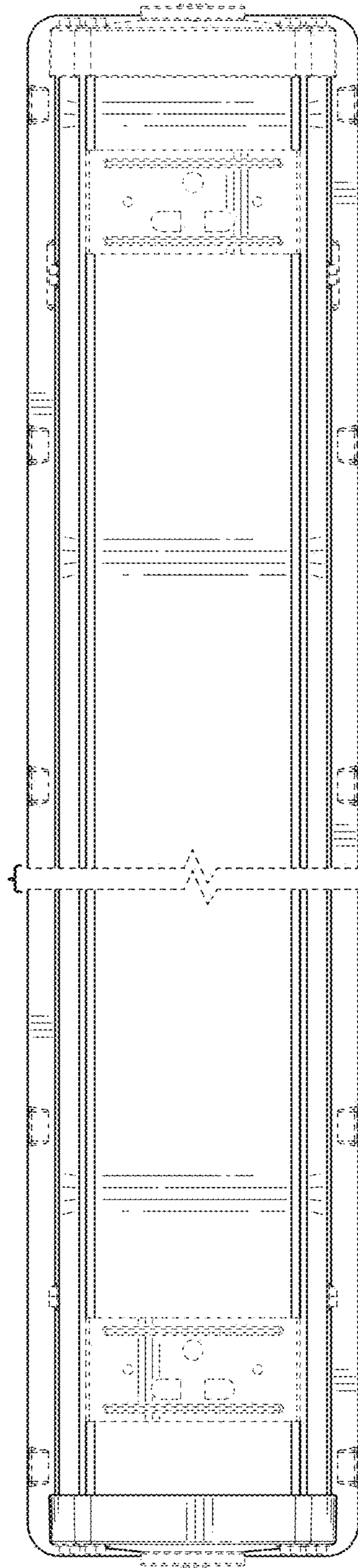


FIG. 13

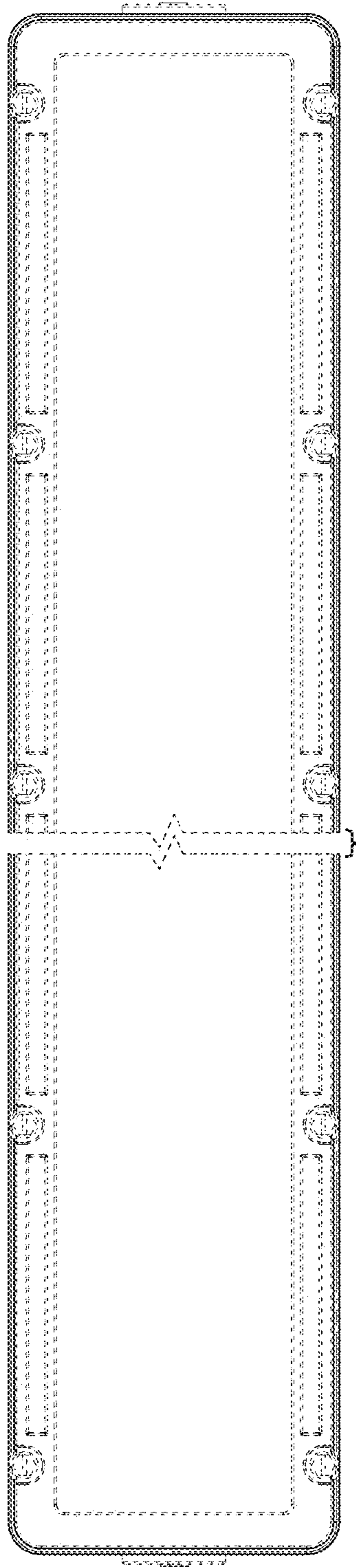


FIG. 14