



US00D929014S

(12) **United States Design Patent** (10) **Patent No.:** **US D929,014 S**  
**Farzan** (45) **Date of Patent:** **\*\* Aug. 24, 2021**

- (54) **RECESSED LIGHTING FIXTURE**
- (71) Applicant: **Nora Lighting, Inc.**, Commerce, CA (US)
- (72) Inventor: **Fred Farzan**, Beverly Hills, CA (US)
- (73) Assignee: **Nora Lighting, Inc.**, Commerce, CA (US)

D510,151 S	9/2005	Rashidi	
D544,128 S	6/2007	Carro	
D568,522 S	5/2008	Engel	
D569,024 S	5/2008	Redfern	
D601,295 S *	9/2009	Brown	D26/118
D646,417 S *	10/2011	Wauters	D26/63
D663,881 S *	7/2012	Janssen	D26/74
D677,418 S	3/2013	Wilson	

(Continued)

- (\*\*) Term: **15 Years**
- (21) Appl. No.: **29/729,742**
- (22) Filed: **Mar. 30, 2020**

**FOREIGN PATENT DOCUMENTS**

TW	182474	4/1992
TW	D122918	5/2008
TW	D143837 S1	11/2011

**OTHER PUBLICATIONS**

Taiwan Office Action for Patent Appl. No. 105304402 dated Mar. 2, 2017—3 pages.

(Continued)

*Primary Examiner* — Angela J Lee  
(74) *Attorney, Agent, or Firm* — K&L Gates LLP

(57) **CLAIM**

The ornamental design for a recessed lighting fixture, as shown and described.

**DESCRIPTION**

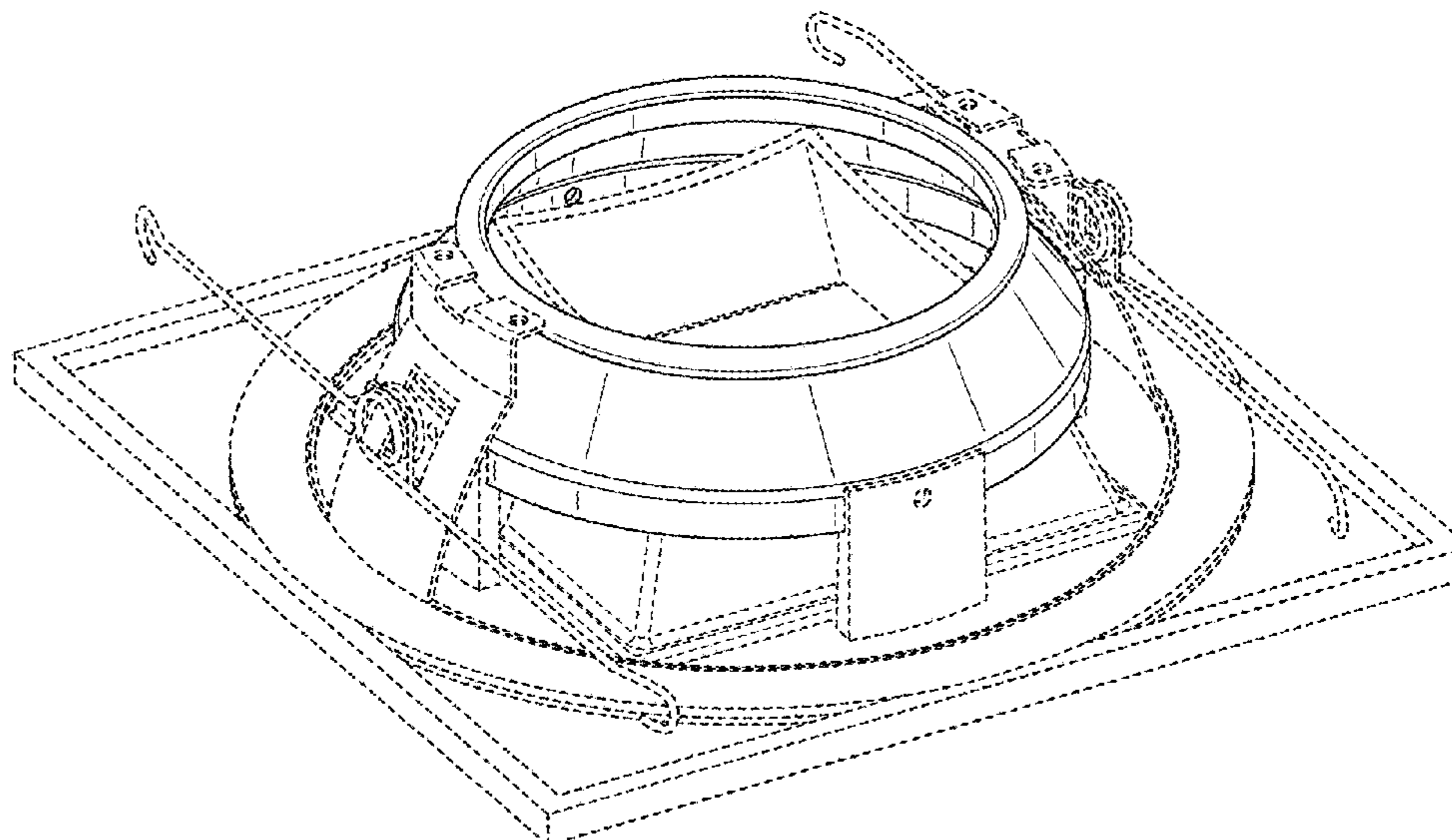
FIG. 1 shows a top plan view of a recessed lighting fixture; FIG. 2 shows a top, perspective view thereof; FIG. 3 is a side view thereof; FIG. 4 is another side view thereof; but shown without the broken line structure; FIG. 5 is a top plan view thereof; FIG. 6 is a top, perspective view thereof; and, FIG. 7 is a bottom, perspective view thereof. The broken lines in the drawings show portions of the recessed lighting fixture that form no part of the claimed design.

- Related U.S. Application Data**
- (62) Division of application No. 29/658,281, filed on Jul. 30, 2018, now Pat. No. Des. 880,042, which is a division of application No. 29/553,402, filed on Feb. 1, 2016, now Pat. No. Des. 824,568.
  - (51) **LOC (13) Cl.** ..... **26-05**
  - (52) **U.S. Cl.**  
USPC ..... **D26/74**
  - (58) **Field of Classification Search**  
USPC ..... D26/74, 72, 75, 76, 77, 78, 85, 88, 89, D26/118, 138, 141; 362/364, 365, 373, 362/145, 146, 147, 148, 150, 153, 153.1, 362/294, 296.01, 296.07, 296.08  
CPC ..... F21V 29/2262; F21V 7/06; F21V 21/044; F21V 21/047; F21V 29/2212; F21V 29/2225; F21V 29/2256; F21V 29/225; F21V 29/2268; F21Y 2111/002; F21S 8/02; F21S 8/026  
See application file for complete search history.

- (56) **References Cited**  
U.S. PATENT DOCUMENTS

D381,454 S *	7/1997	Lecluze	D26/118
D387,466 S *	12/1997	Lecluze	D26/118

**1 Claim, 7 Drawing Sheets**



(56)

**References Cited**

U.S. PATENT DOCUMENTS

D697,651	S	*	1/2014	Carpenter	.....	D26/74
D698,069	S	*	1/2014	Messisaen	.....	D26/74
D722,192	S		2/2015	Boyer et al.		
D740,996	S		10/2015	Tragatschnig		
D750,832	S	*	3/2016	Lehman	.....	D26/138
D759,873	S	*	6/2016	Saaranen	.....	D26/74
D766,497	S		9/2016	Salomon		
D767,809	S	*	9/2016	Gotz-Schafer	.....	D26/74
D789,586	S		6/2017	Guzzini		
D824,568	S		7/2018	Farzan		
D827,904	S		9/2018	Benghozi		
D840,084	S	*	2/2019	Crosby	.....	D26/74
D854,726	S	*	7/2019	Goetz-Schaefer	.....	D26/74
D855,235	S	*	7/2019	Goetz-Schaefer	.....	D26/74
D871,644	S	*	12/2019	Farzan	.....	D26/74
D880,042	S	*	3/2020	Farzan	.....	D26/74
D887,064	S	*	6/2020	Speier	.....	D26/74
D903,924	S	*	12/2020	Mei	.....	D26/74

OTHER PUBLICATIONS

Taiwan Office Action for Patent Appl. No. 105304402 dated Mar. 2, 2017—3 pages (English Translation).

\* cited by examiner

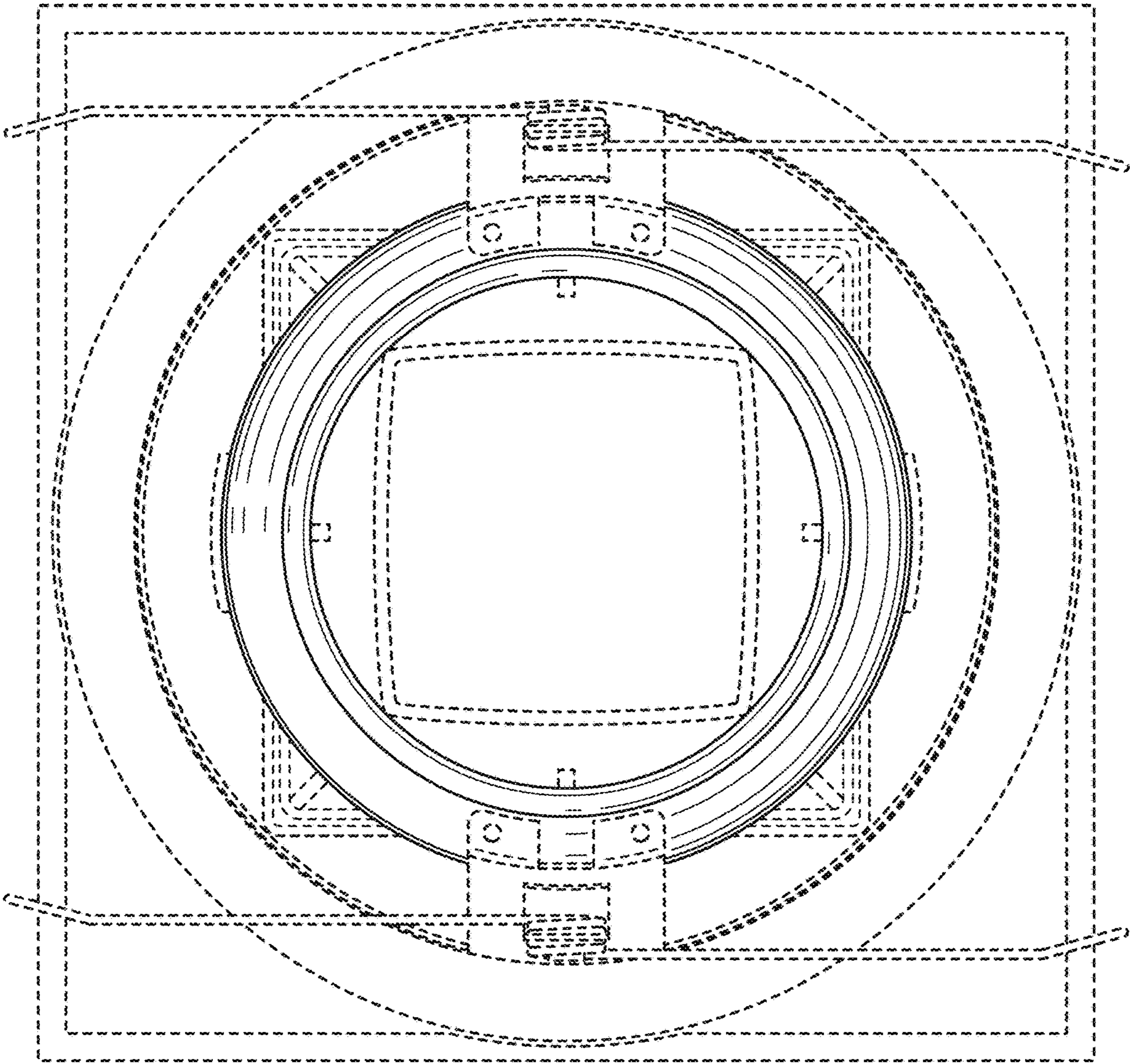


FIG. 1

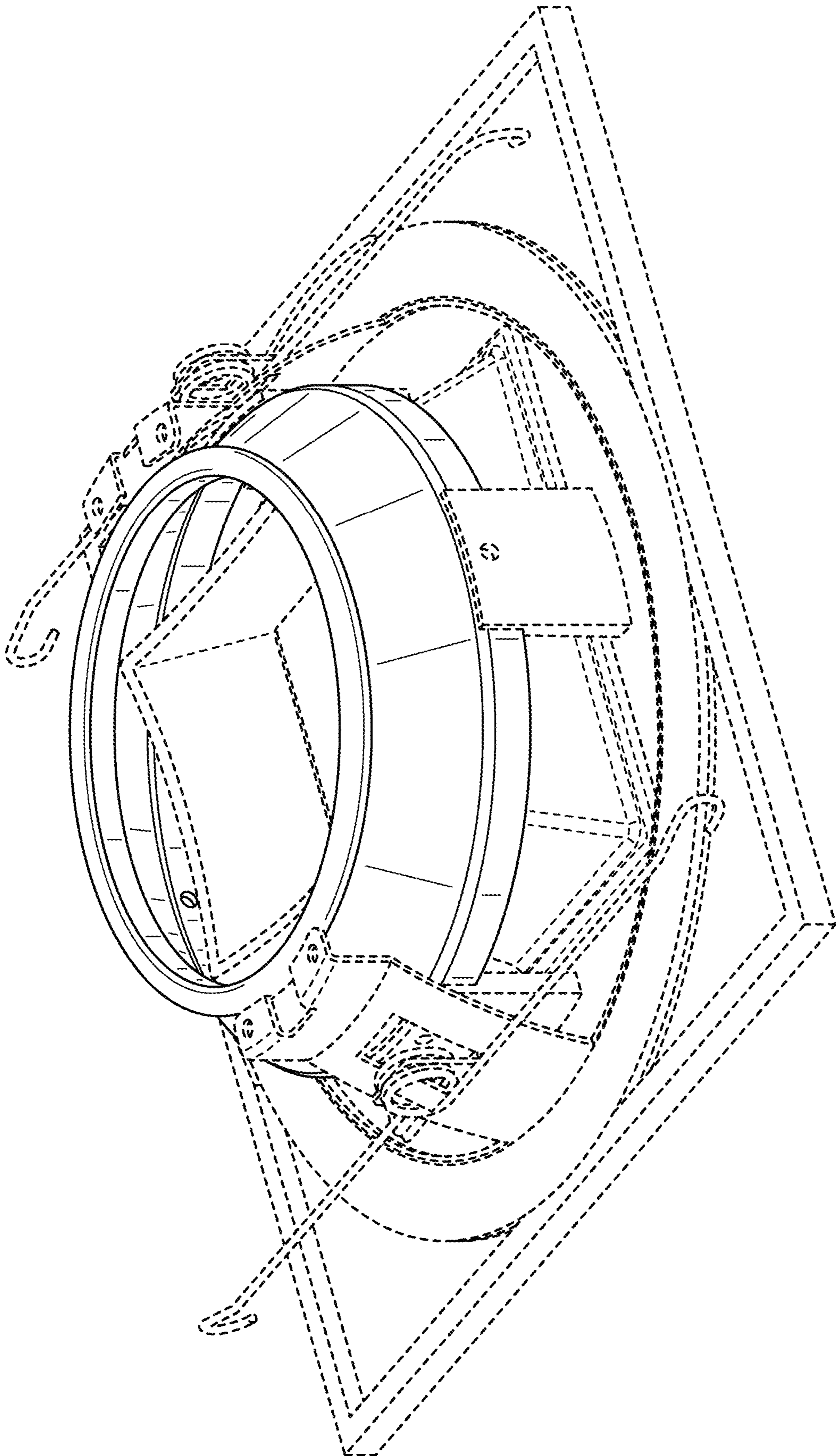


FIG. 2

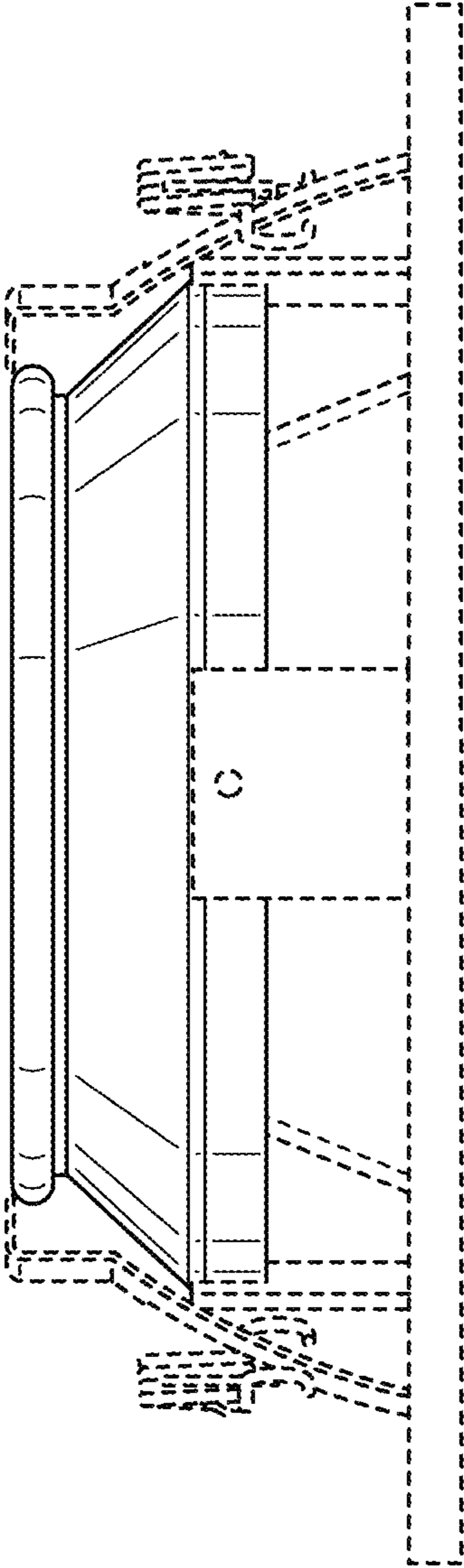


FIG. 3

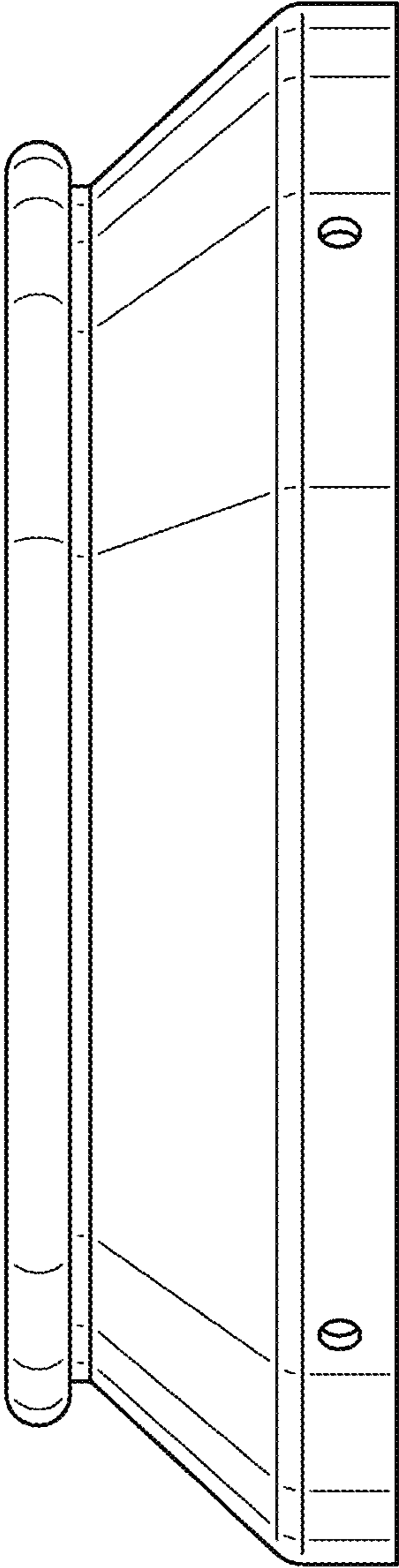


FIG. 4

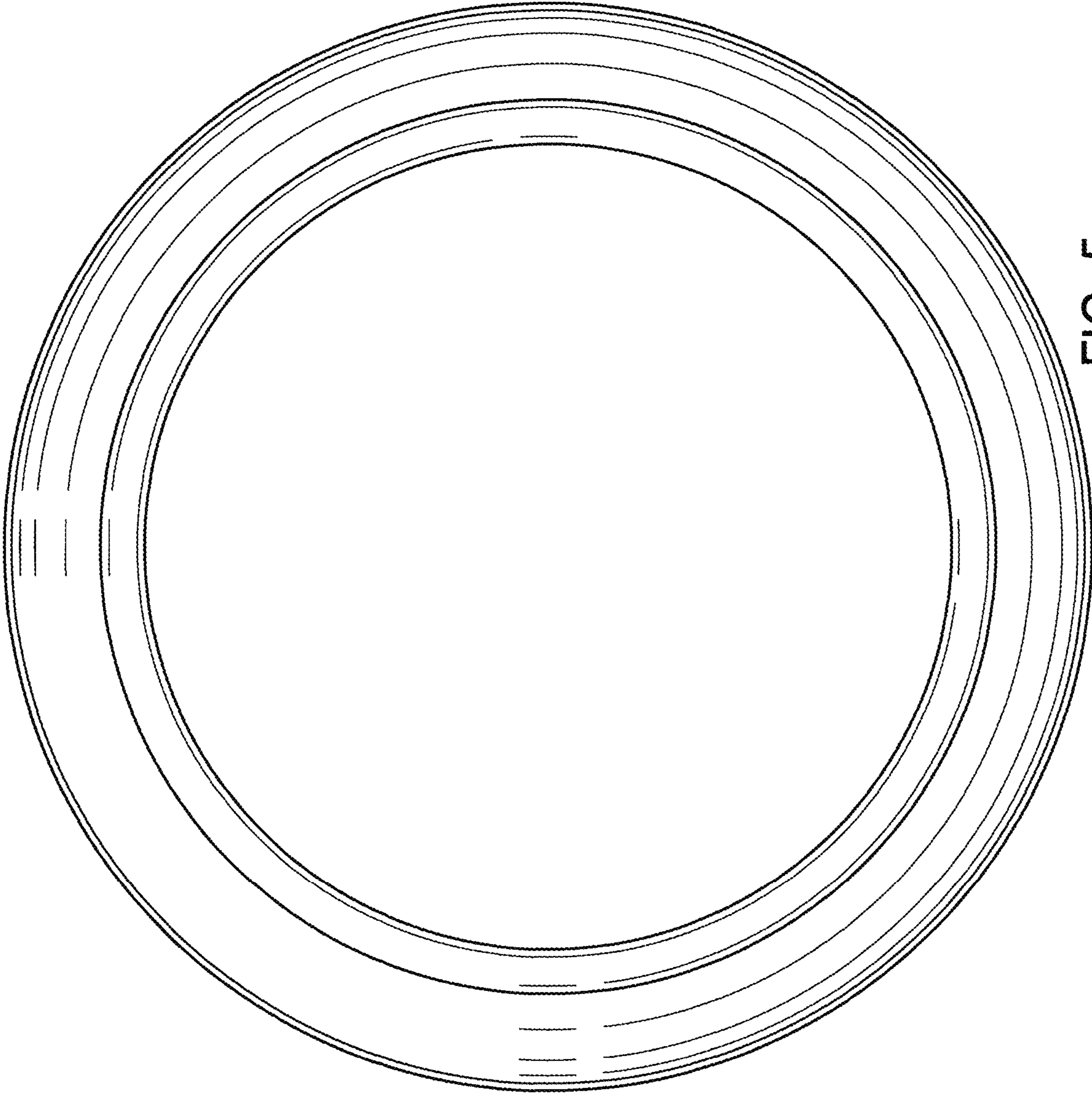


FIG. 5

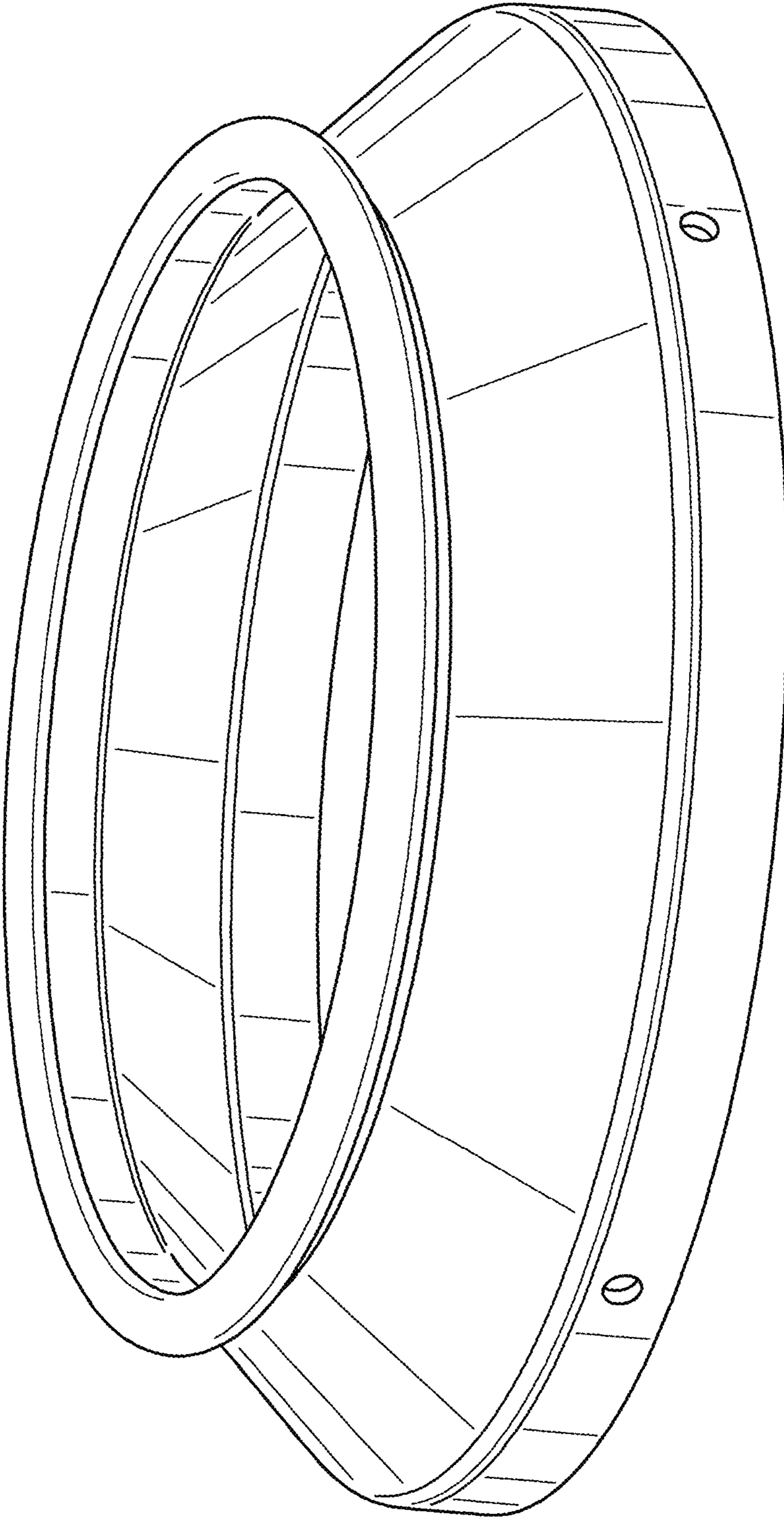


FIG. 6



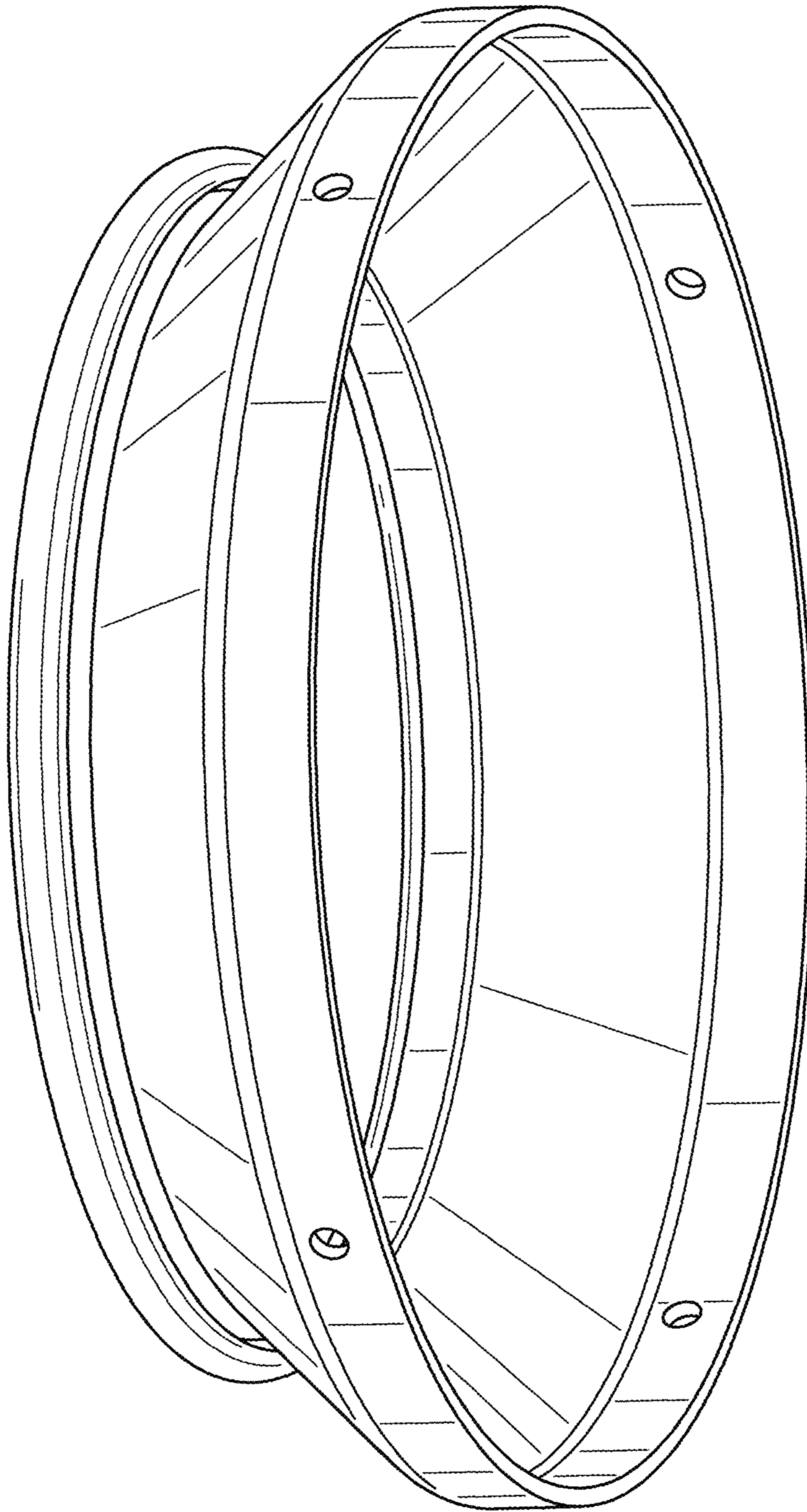


FIG. 7