



US00D929012S

(12) **United States Design Patent** (10) **Patent No.:** **US D929,012 S**
Okagaki et al. (45) **Date of Patent:** **** Aug. 24, 2021**

(54) **LIGHTING DEVICE**

FOREIGN PATENT DOCUMENTS

(71) Applicant: **Mitsubishi Electric Corporation,**
Tokyo (JP)

CN 304152600 * 5/2017

(72) Inventors: **Satoru Okagaki,** Tokyo (JP); **Yusuke Fujii,** Tokyo (JP); **Haruka Yamazaki,** Tokyo (JP); **Muneharu Kuwata,** Tokyo (JP); **Kuniko Kojima,** Tokyo (JP)

Primary Examiner — Angela J Lee

(74) *Attorney, Agent, or Firm* — Studebaker & Brackett PC

(73) Assignee: **Mitsubishi Electric Corporation,**
Tokyo (JP)

(57) **CLAIM**

(**) Term: **15 Years**

The ornamental design for a lighting device, as shown and described.

(21) Appl. No.: **29/684,575**

(22) Filed: **Mar. 22, 2019**

DESCRIPTION

(30) **Foreign Application Priority Data**

Sep. 26, 2018 (JP) 2018-020860

(51) **LOC (13) Cl.** **26-05**

(52) **U.S. Cl.**
USPC **D26/74**

(58) **Field of Classification Search**
USPC D26/74, 72, 75, 76, 77, 78, 85, 88, 89,
D26/118, 138, 141, 67, 70; 362/364,
362/365, 373, 145, 146, 147, 148, 150,
362/153, 153.1, 294, 296.01, 296.07,
362/296.08
CPC F21V 29/2262; F21V 7/06; F21V 21/044;
F21V 21/047; F21V 29/2212; F21V
29/2225; F21V 29/2256; F21V 29/225;
F21V 29/2268; F21Y 2111/002; F21S
8/02; F21S 8/026

See application file for complete search history.

The file of this patent contains at least one drawing/photograph executed in color. Copies of this patent with color drawing(s)/photograph(s) will be provided by the Office upon request and payment of the necessary fee.

FIG. 1 is a front perspective view of the front, right, and top sides of a lighting device showing our new design;

FIG. 2 is a front view thereof;

FIG. 3 is a rear view thereof;

FIG. 4 is a top plan view thereof, a bottom plan view being a mirror image thereof;

FIG. 5 is a right side view thereof, a left side view being a mirror image thereof;

FIG. 6 is an enlarged end view showing cross-sectional end face only at a cut part 6-6, with partially omitting the interior mechanism;

FIG. 7 is an enlarged end view showing cross-sectional end face only at a cut part 7-7, with partially omitting the interior mechanism; and,

FIG. 8 is a reference perspective view showing a light emitting state.

The broken lines shown represent unclaimed subject matter of the lighting device and form no part of the claimed design.

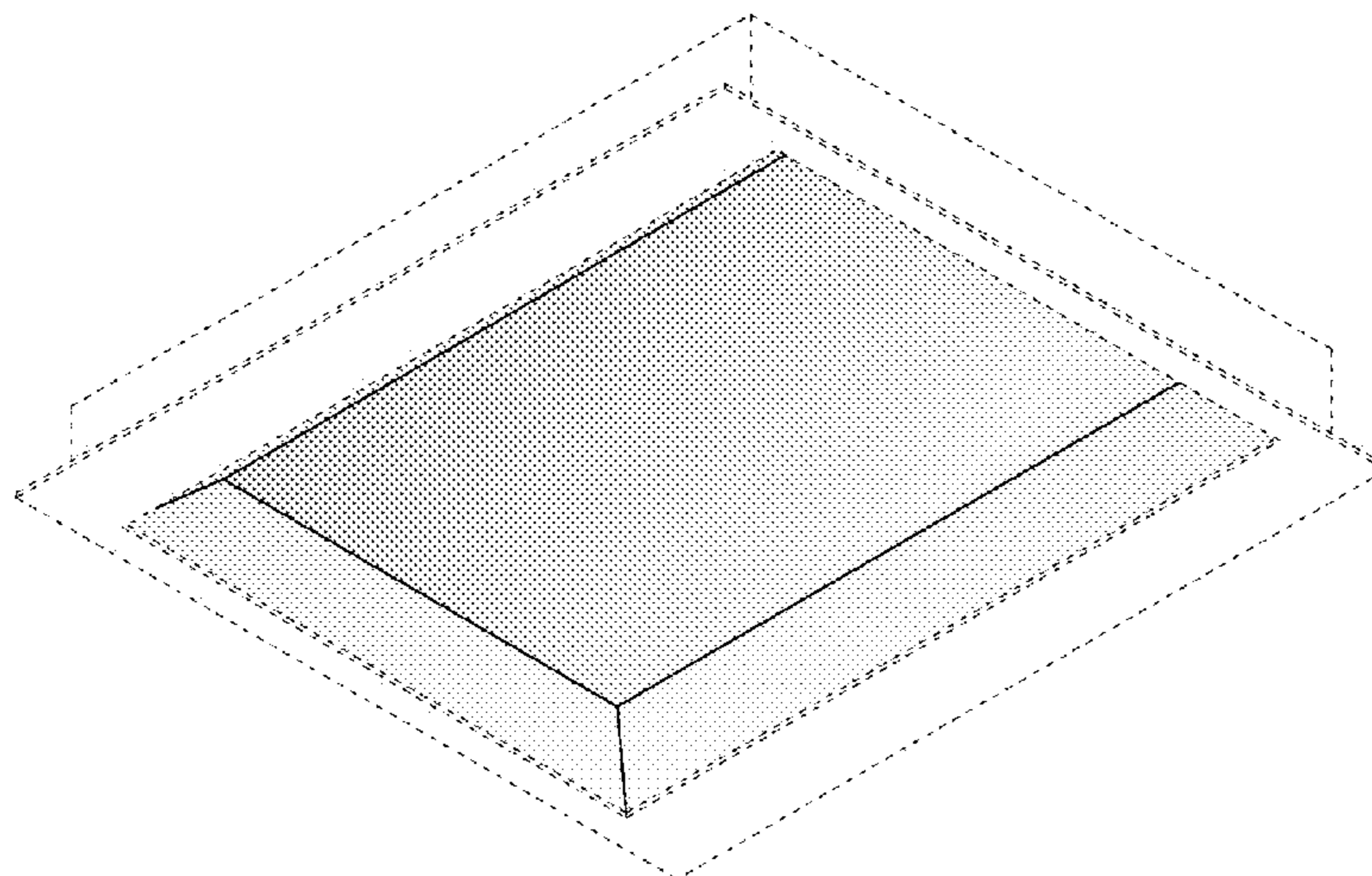
(56) **References Cited**

U.S. PATENT DOCUMENTS

D597,241 S * 7/2009 Fabbri D26/74
D614,792 S * 4/2010 Fabbri D26/74
D675,362 S * 1/2013 Apetauer D26/74
D679,437 S * 4/2013 Watt D26/74

(Continued)

1 Claim, 8 Drawing Sheets
(1 of 8 Drawing Sheet(s) Filed in Color)



(56)

References Cited

U.S. PATENT DOCUMENTS

| | | | | | |
|----------|---|---|---------|---------------------|---------|
| D738,032 | S | * | 9/2015 | Maxik | D26/118 |
| D766,497 | S | * | 9/2016 | Salomon | D26/138 |
| D769,502 | S | * | 10/2016 | Van Lierde | D26/74 |
| D778,487 | S | * | 2/2017 | Salomon | D26/138 |
| D779,699 | S | * | 2/2017 | Bernard | D26/74 |
| D807,556 | S | * | 1/2018 | Li | D26/74 |
| D843,633 | S | * | 3/2019 | Zheng | D26/89 |
| D847,393 | S | * | 4/2019 | Chung | D26/74 |
| D848,047 | S | * | 5/2019 | Santoro | D26/74 |
| D880,750 | S | * | 4/2020 | Rashidi Doust | D26/74 |

* cited by examiner

Fig.1

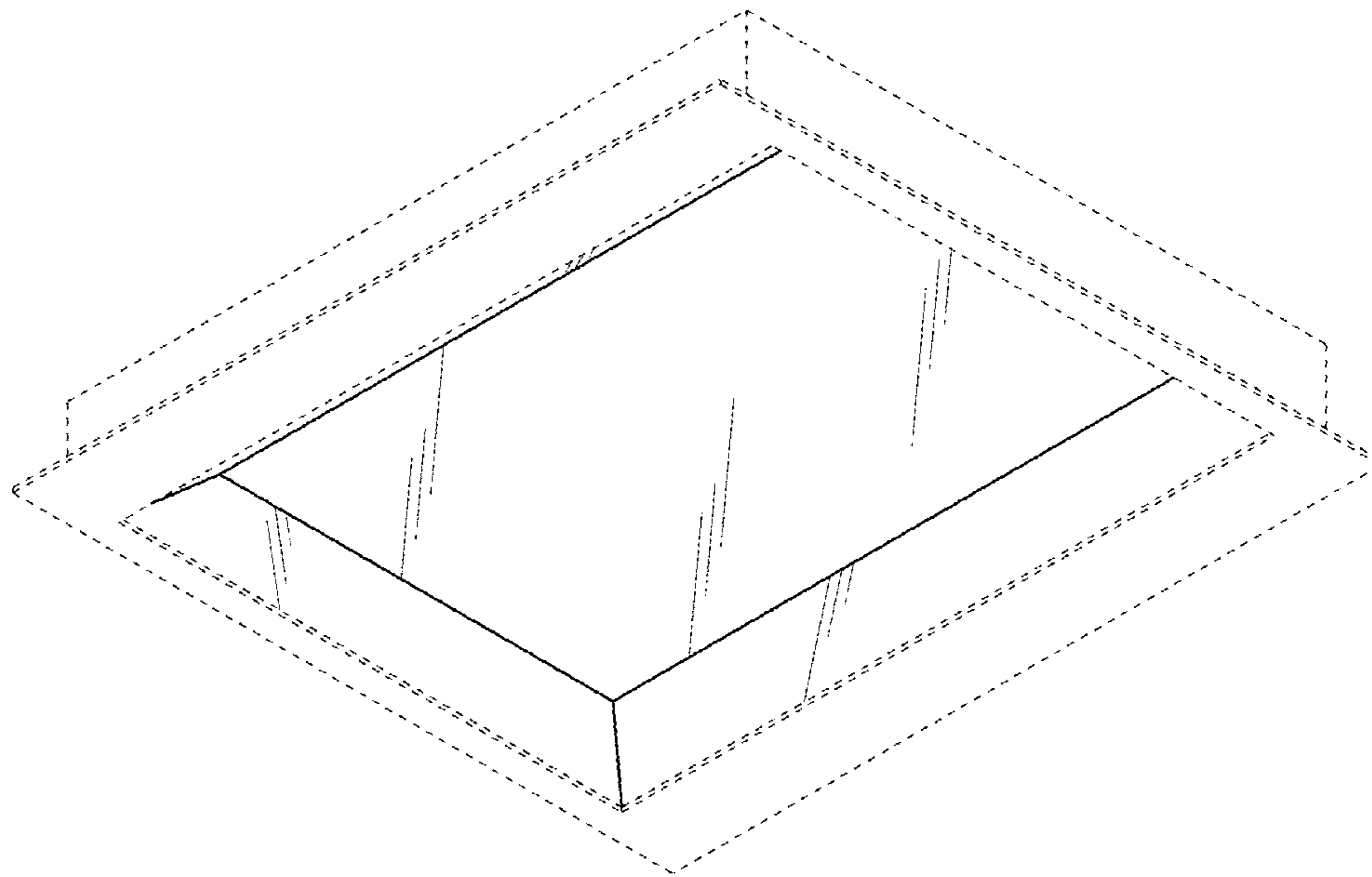


Fig.2

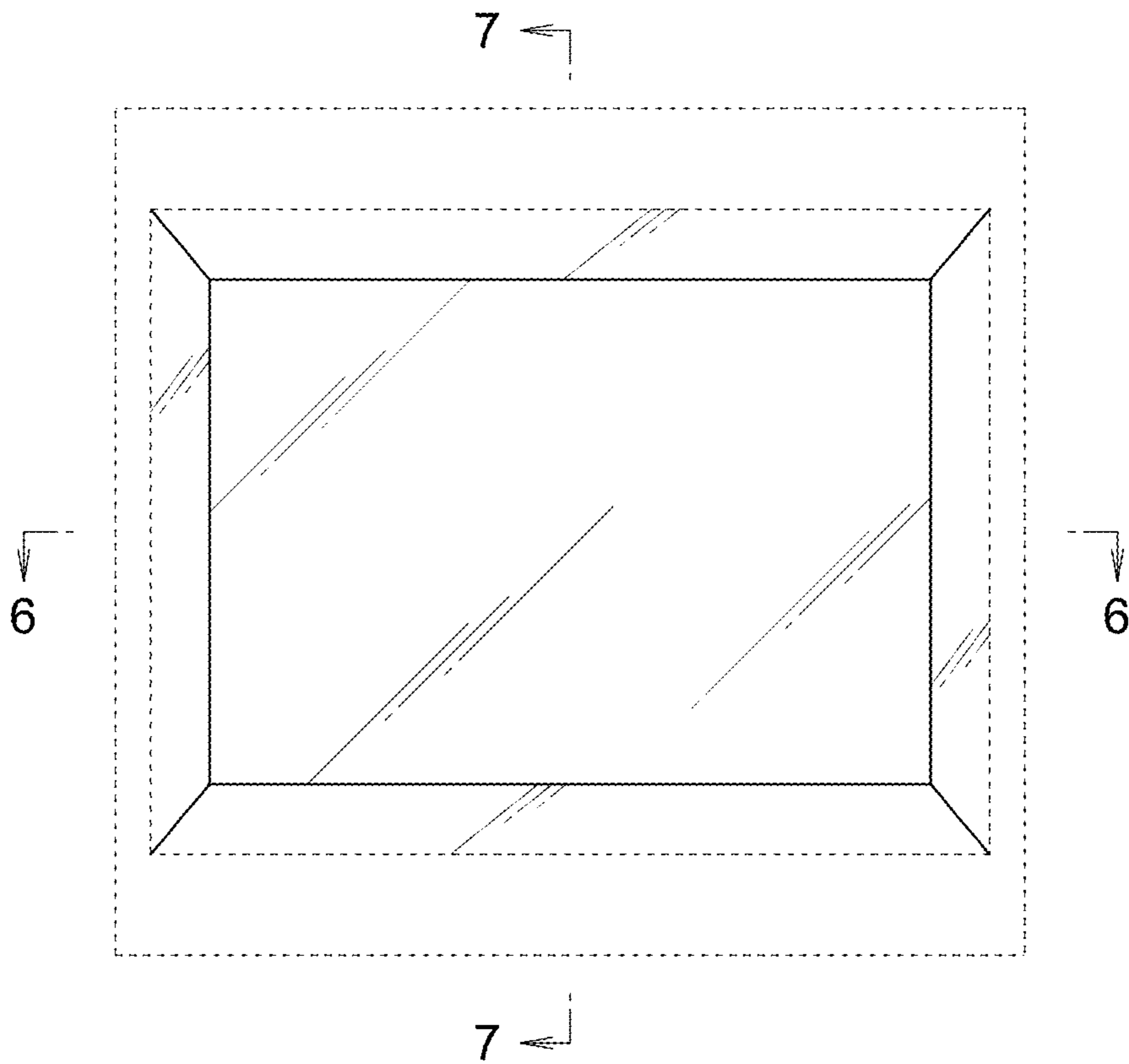


Fig.3

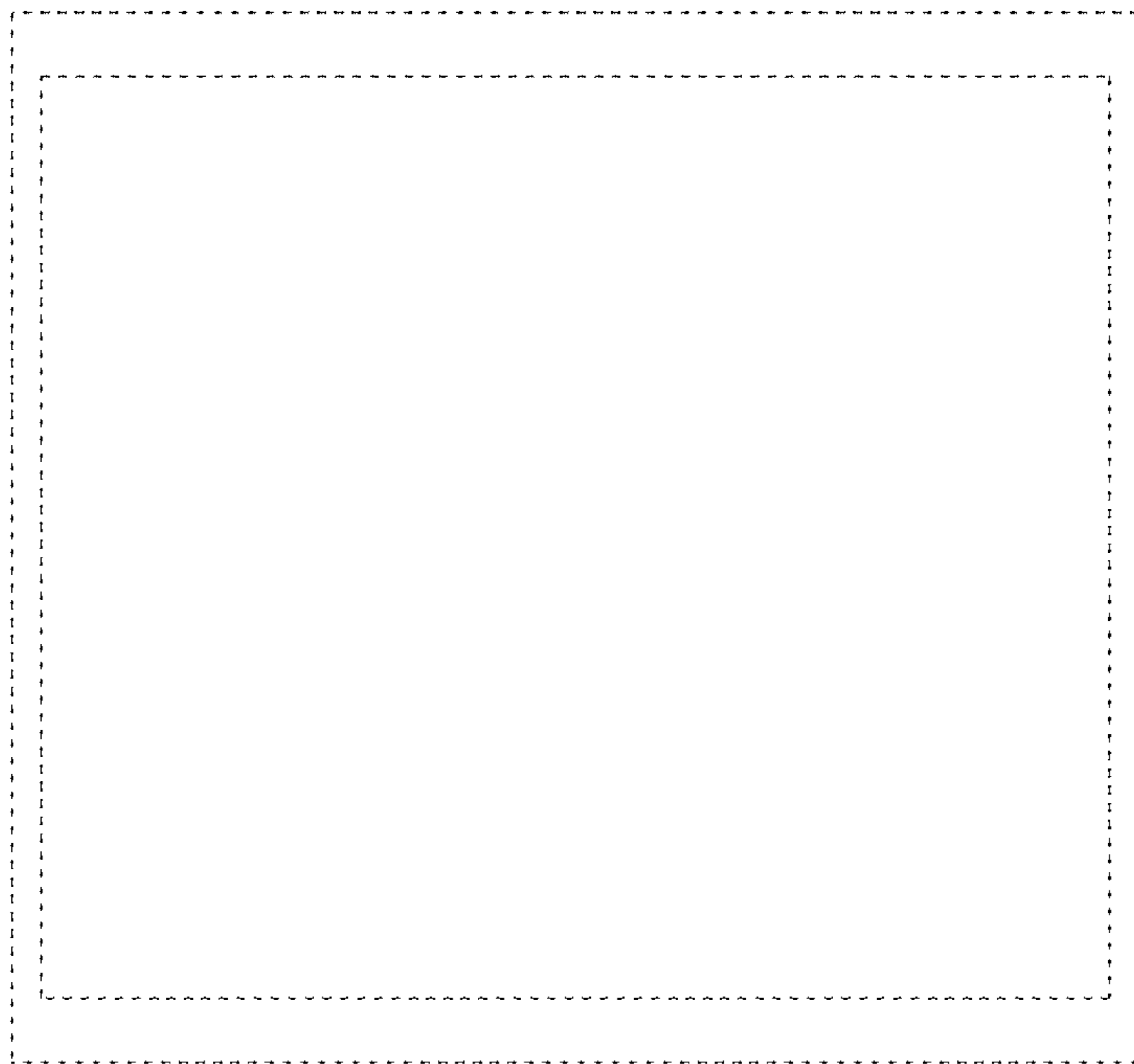


Fig.4



Fig.5

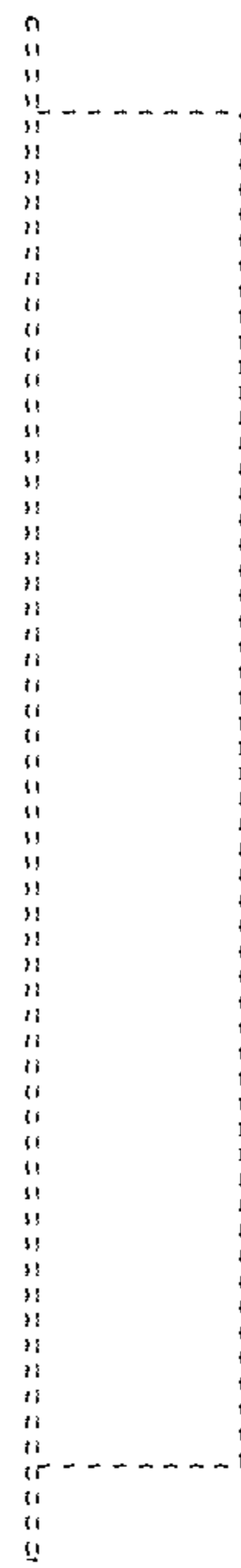


Fig.6

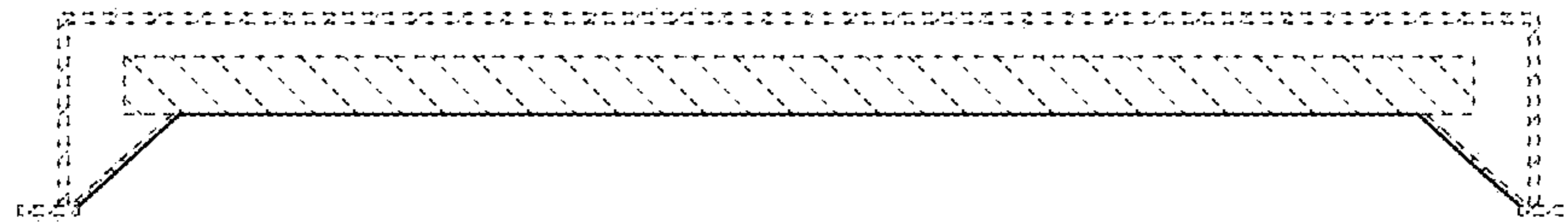


Fig. 7

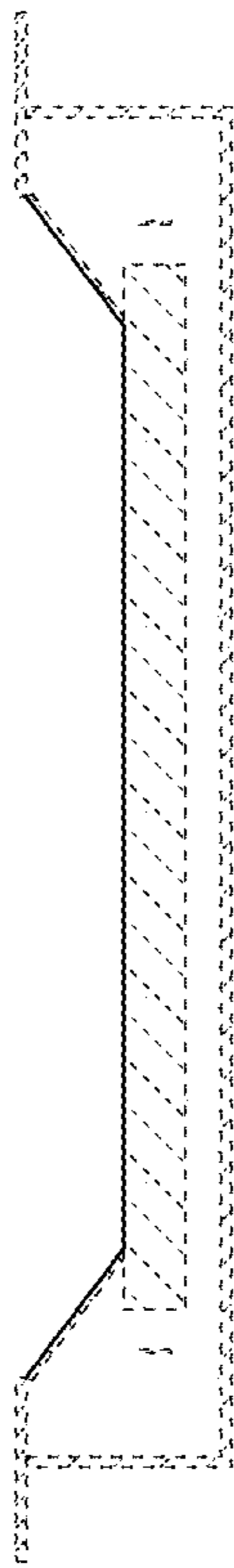


Fig.8

