



US00D929011S

(12) **United States Design Patent**
Yang

(10) **Patent No.:** **US D929,011 S**

(45) **Date of Patent:** **** Aug. 24, 2021**

(54) **SOLAR LED WALL LIGHT**

(71) Applicant: **LEAD OPTO-TECHNOLOGY CO., LIMITED**, Shenzhen (CN)

(72) Inventor: **Ming Yang**, Shenzhen (CN)

(73) Assignee: **LEAD OPTO-TECHNOLOGY CO., LIMITED**, Shenzhen (CN)

(**) Term: **15 Years**

(21) Appl. No.: **29/675,423**

(22) Filed: **Jan. 1, 2019**

(51) **LOC (13) Cl.** **26-05**

(52) **U.S. Cl.**
USPC **D26/72**

(58) **Field of Classification Search**
USPC D10/106.6, 106.8; D26/44, 51, 60, 72,
D26/78, 80, 81, 82, 85, 86, 88
CPC F21S 8/03; F21S 8/003; F21S 8/036; F21S
8/037; F21S 9/022; F21S 9/024; F21S
9/03; F21S 9/037; F21S 13/02; F21S
13/10; F21S 13/14; F21W 2131/107;
G08B 13/193

See application file for complete search history.

(56) **References Cited**

U.S. PATENT DOCUMENTS

D228,667 S *	10/1973	Anderson	D26/71
D279,871 S *	7/1985	Guscott	D10/106.6
4,939,359 A *	7/1990	Freeman	G01V 8/10 250/221
D339,079 S *	9/1993	Behlke	D10/106.6
D811,644 S *	2/2018	Hou	D26/85
D829,956 S *	10/2018	Liu	D26/85
D846,177 S *	4/2019	Wen	D26/85

OTHER PUBLICATIONS

Solar LED Wall Light (available online) Retrieved from the internet Apr. 30, 2020 from URL: <https://commercial-energy.en.made-in-china.com/product/WXOnJmFKCprS/China-Solar-LED-Wall-Light-Outdoor-Garden-Lamp.html>.*

LED Street Light Solar Powered Area Lighting (available online) Retrieved from the internet May 1, 2020 from URL: <https://greensolarled.com/products/solar-powered-led-wall-pack-1500-lumen-color-5700k>.*

* cited by examiner

Primary Examiner — Kevin K Rudzinski
Assistant Examiner — Richard Kearney
(74) *Attorney, Agent, or Firm* — Yong Chen

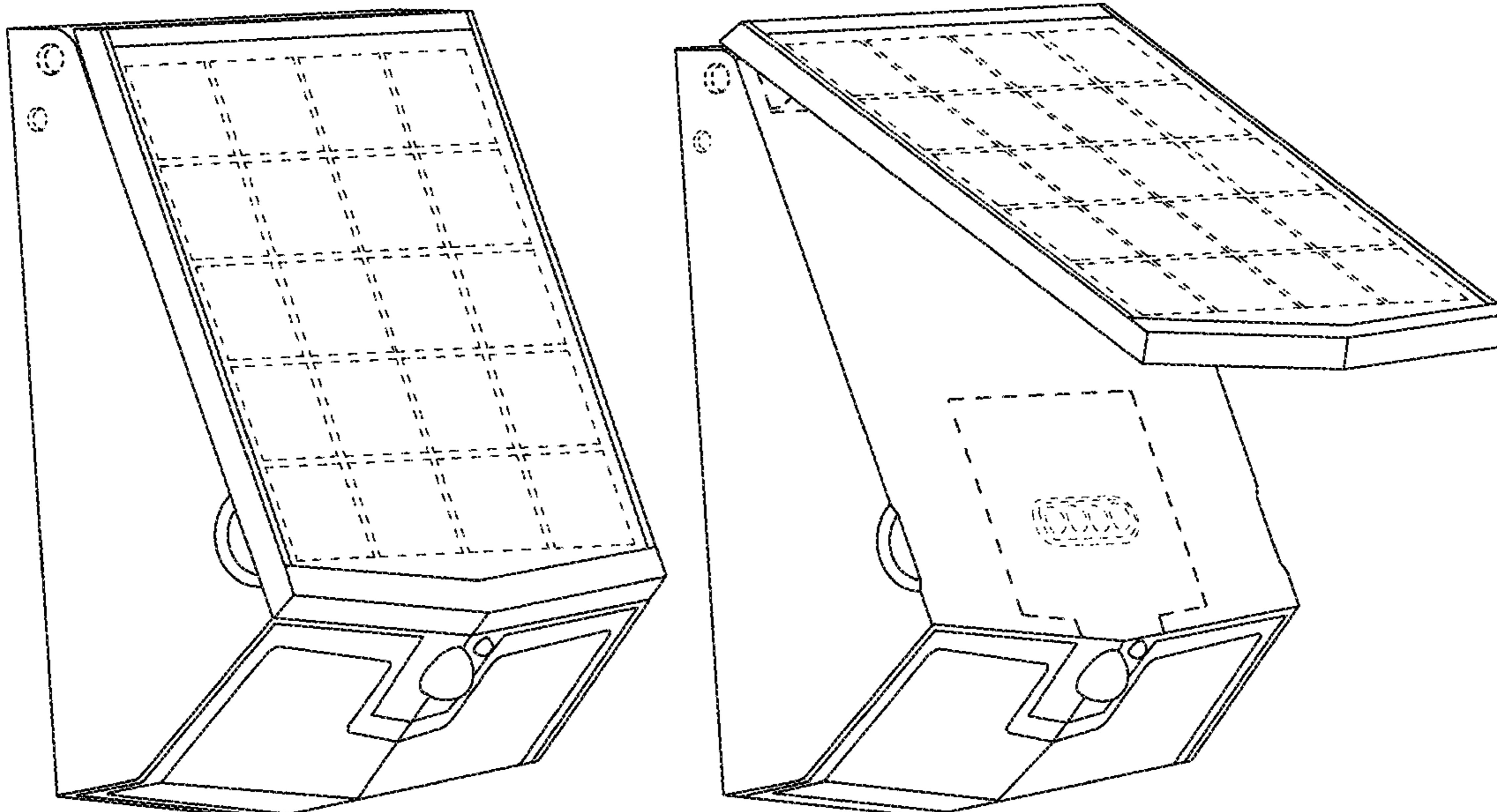
(57) **CLAIM**

The ornamental design for a solar LED wall light, as shown and described.

DESCRIPTION

FIG. 1 is a front view of a solar LED wall light of the present invention.
FIG. 2 is a back view thereof.
FIG. 3 is a left view thereof.
FIG. 4 is a right view thereof.
FIG. 5 is a top view thereof.
FIG. 6 is a bottom view thereof.
FIG. 7 is a perspective view thereof.
FIG. 8 is a second perspective view thereof.
FIG. 9 is a third perspective view thereof; and,
FIG. 10 is further perspective view of the solar LED wall light where an upper front portion of the solar LED wall light is in an open configuration.
The broken line showing of certain portions of the solar LED wall light is included for the purpose of illustration only and forms no part of the claimed design.

1 Claim, 10 Drawing Sheets



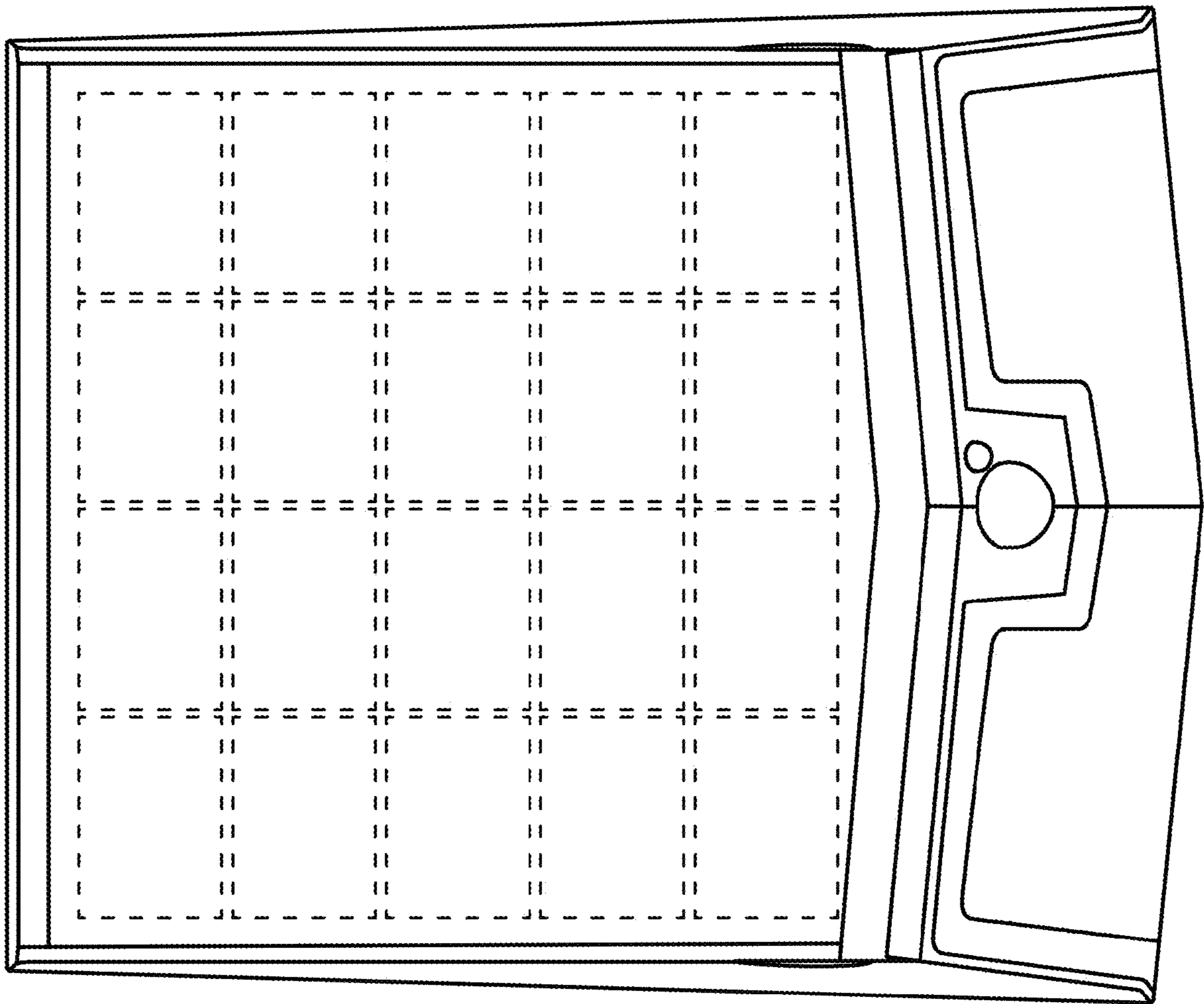


FIG. 1

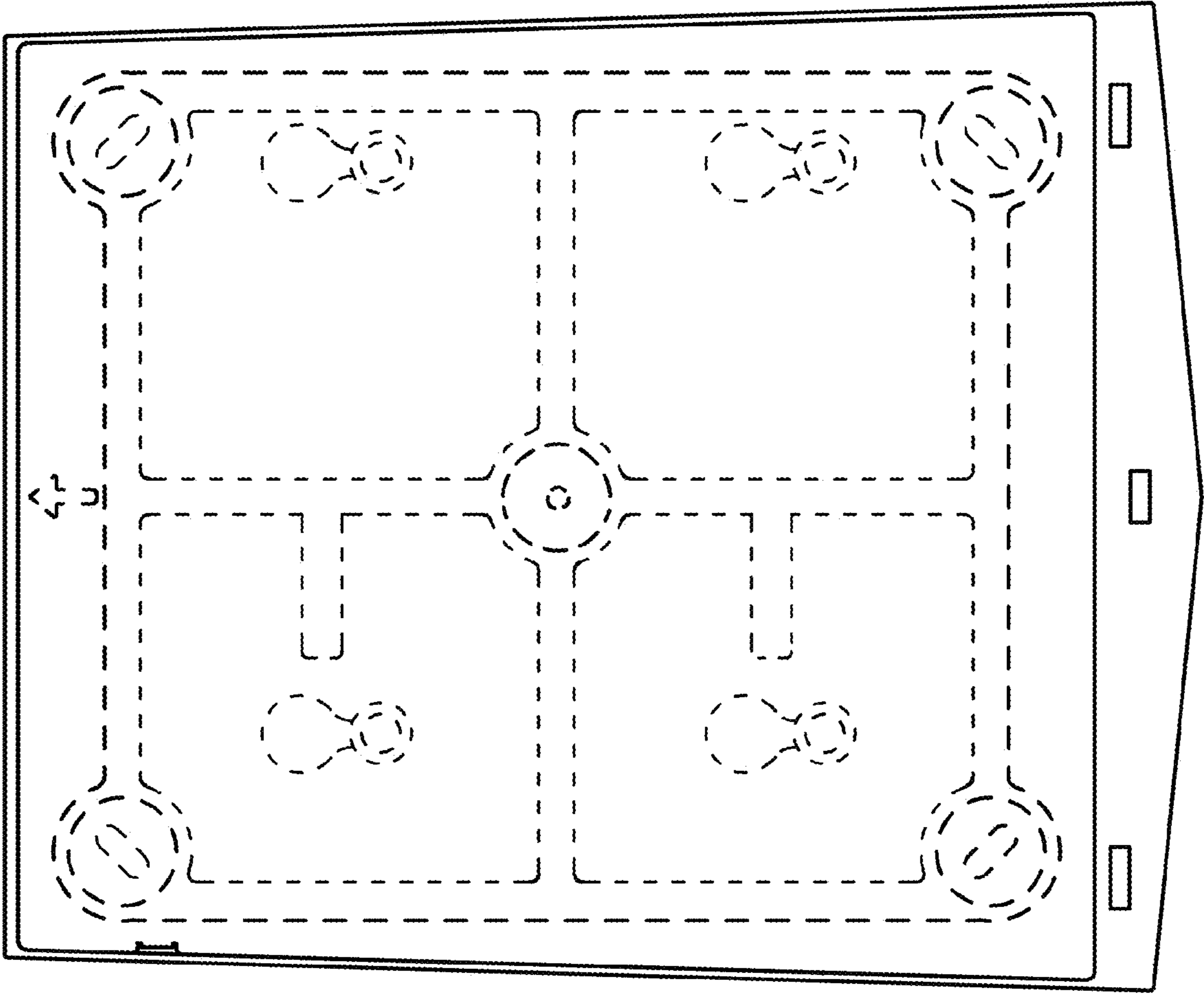


FIG. 2

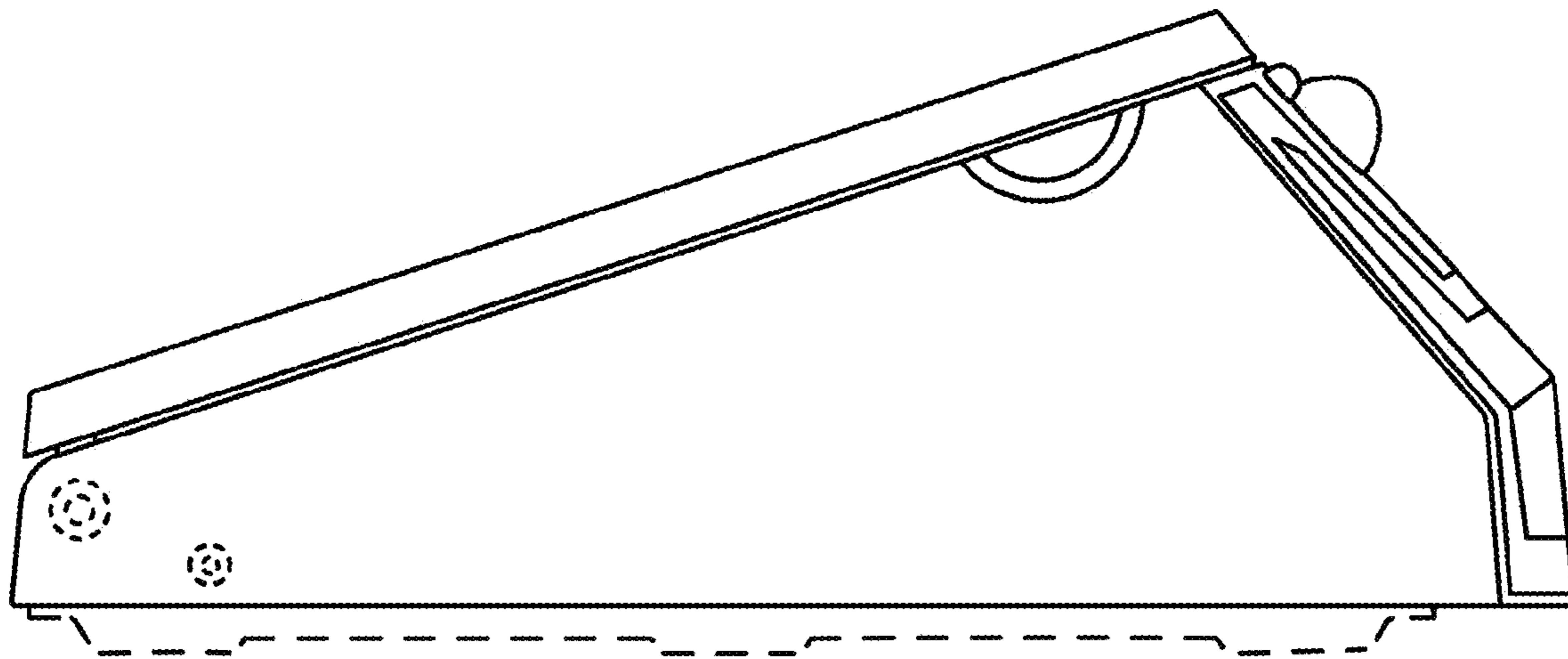
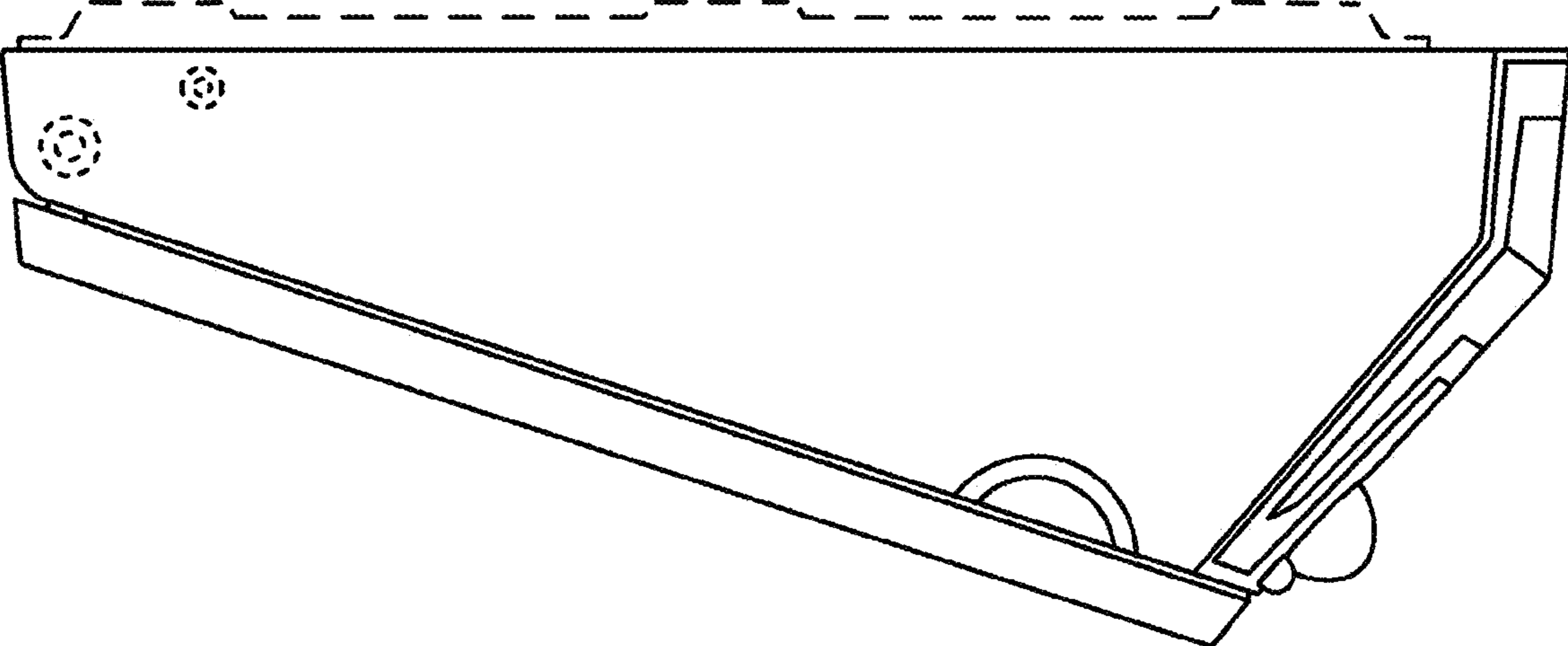


FIG. 3

FIG. 4



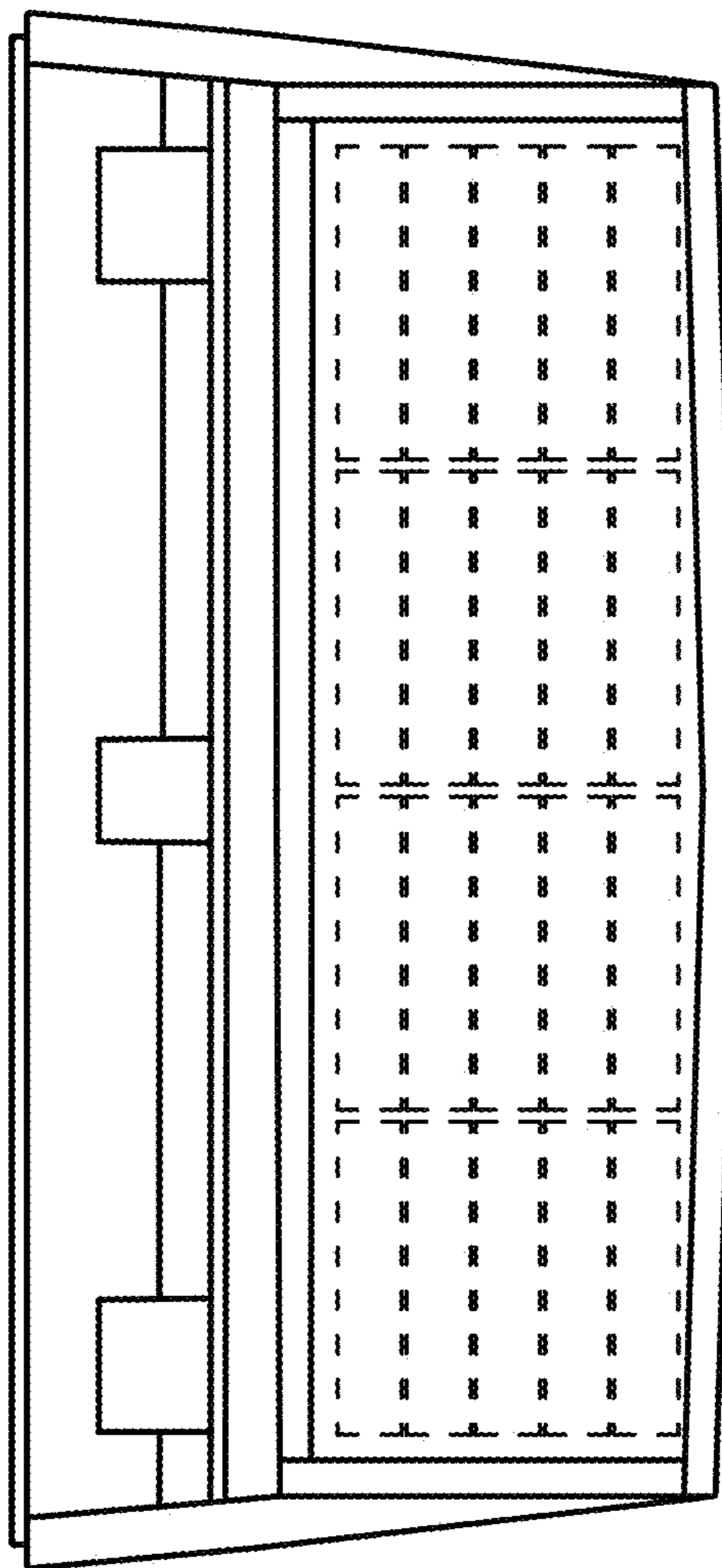


FIG. 5

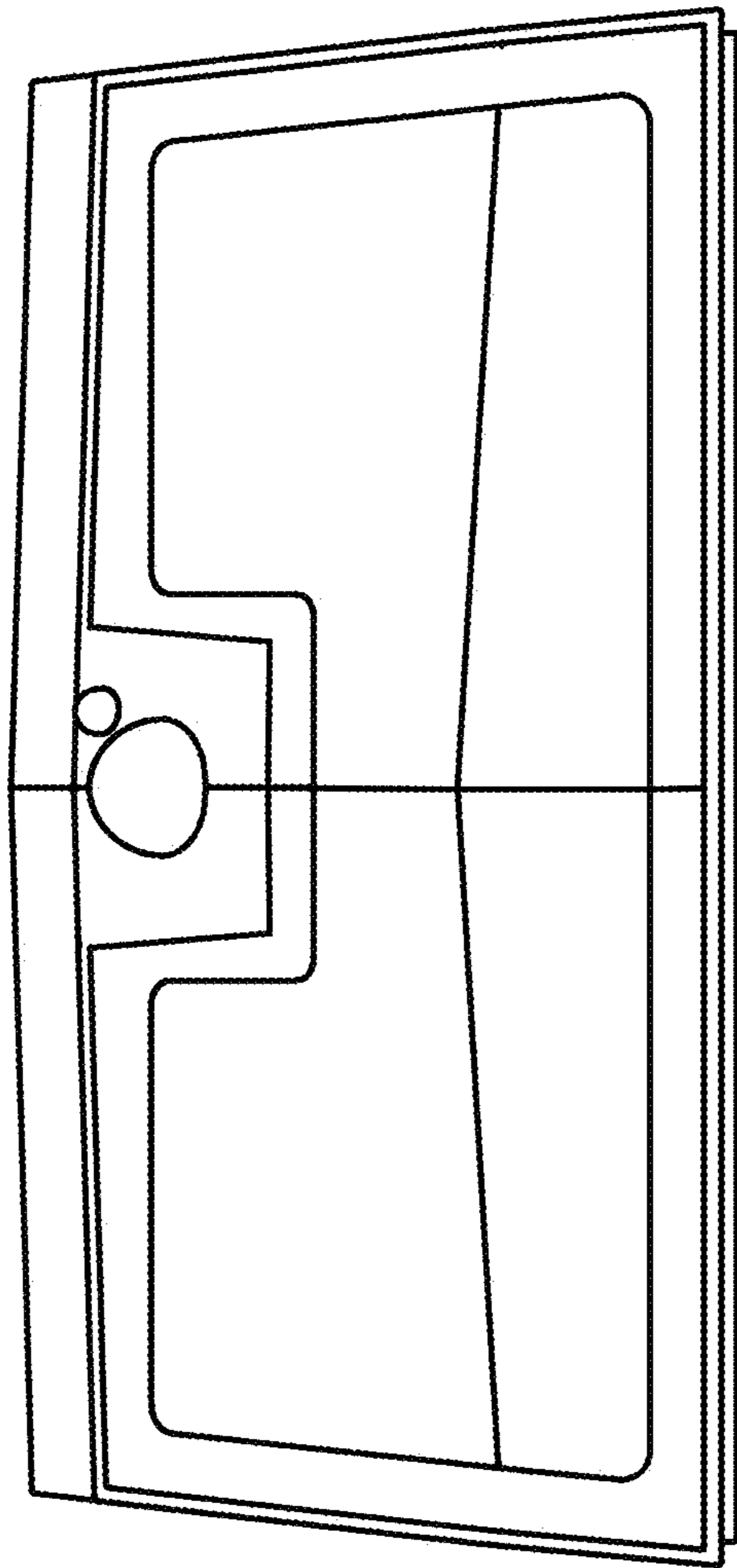


FIG. 6

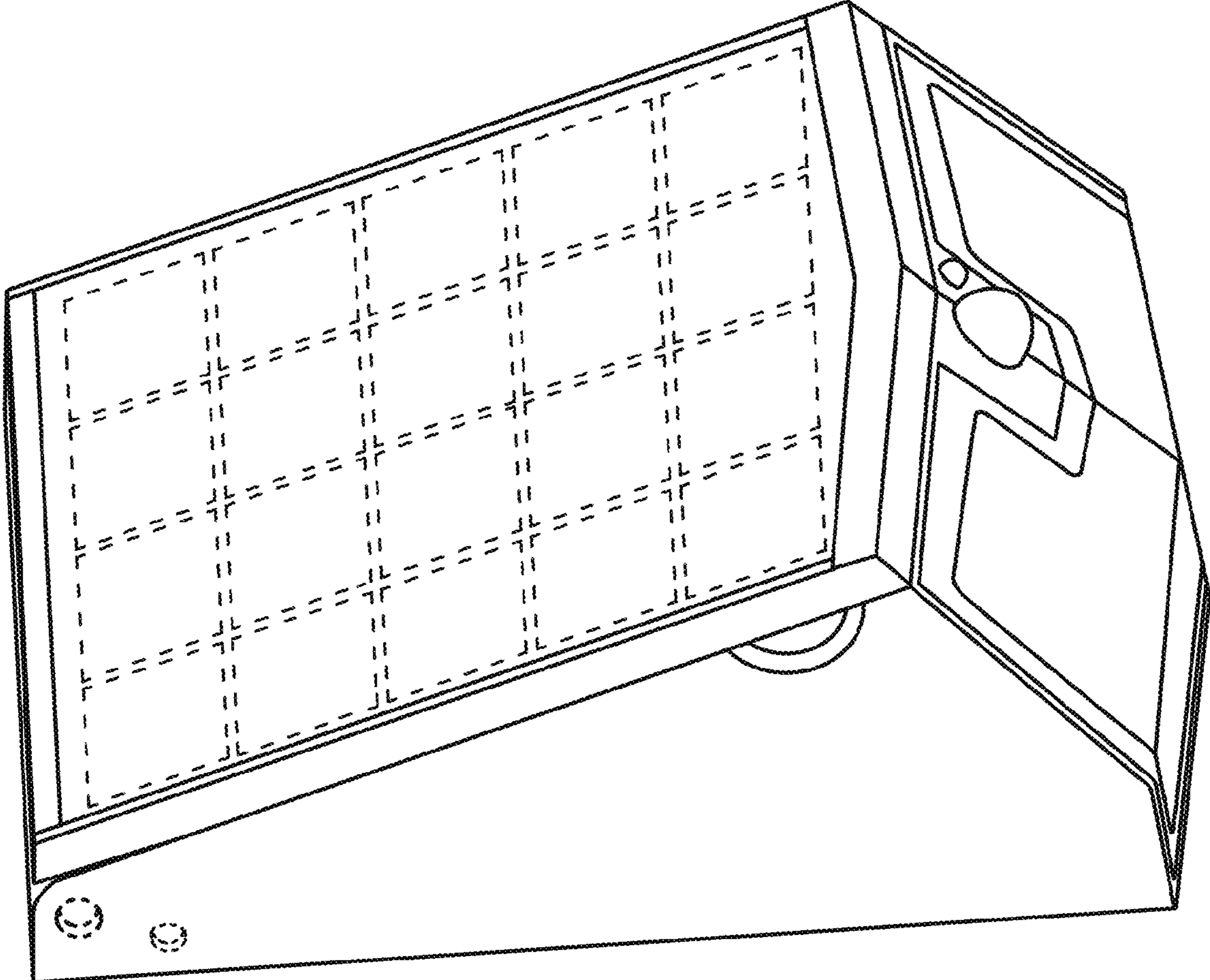


FIG. 7

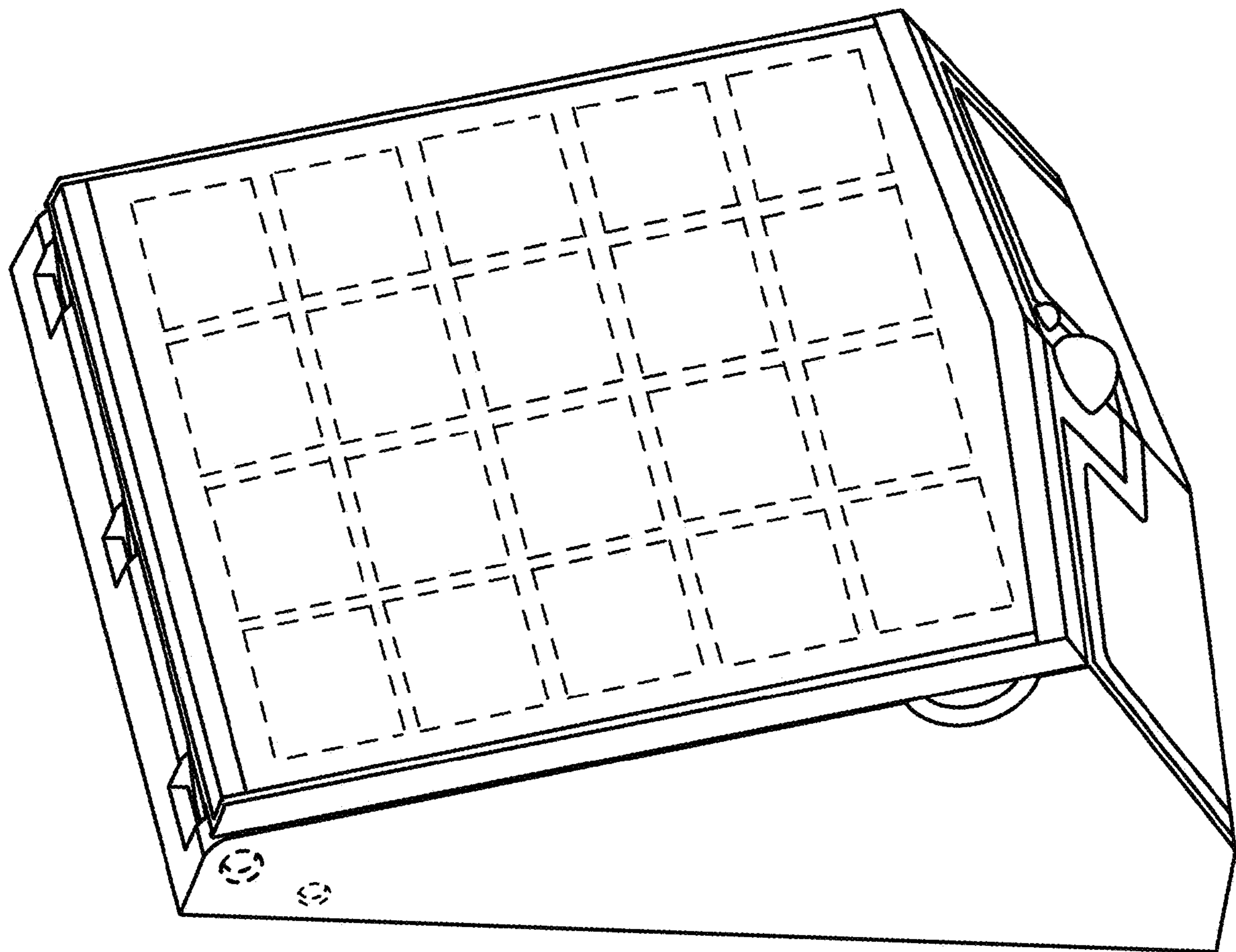
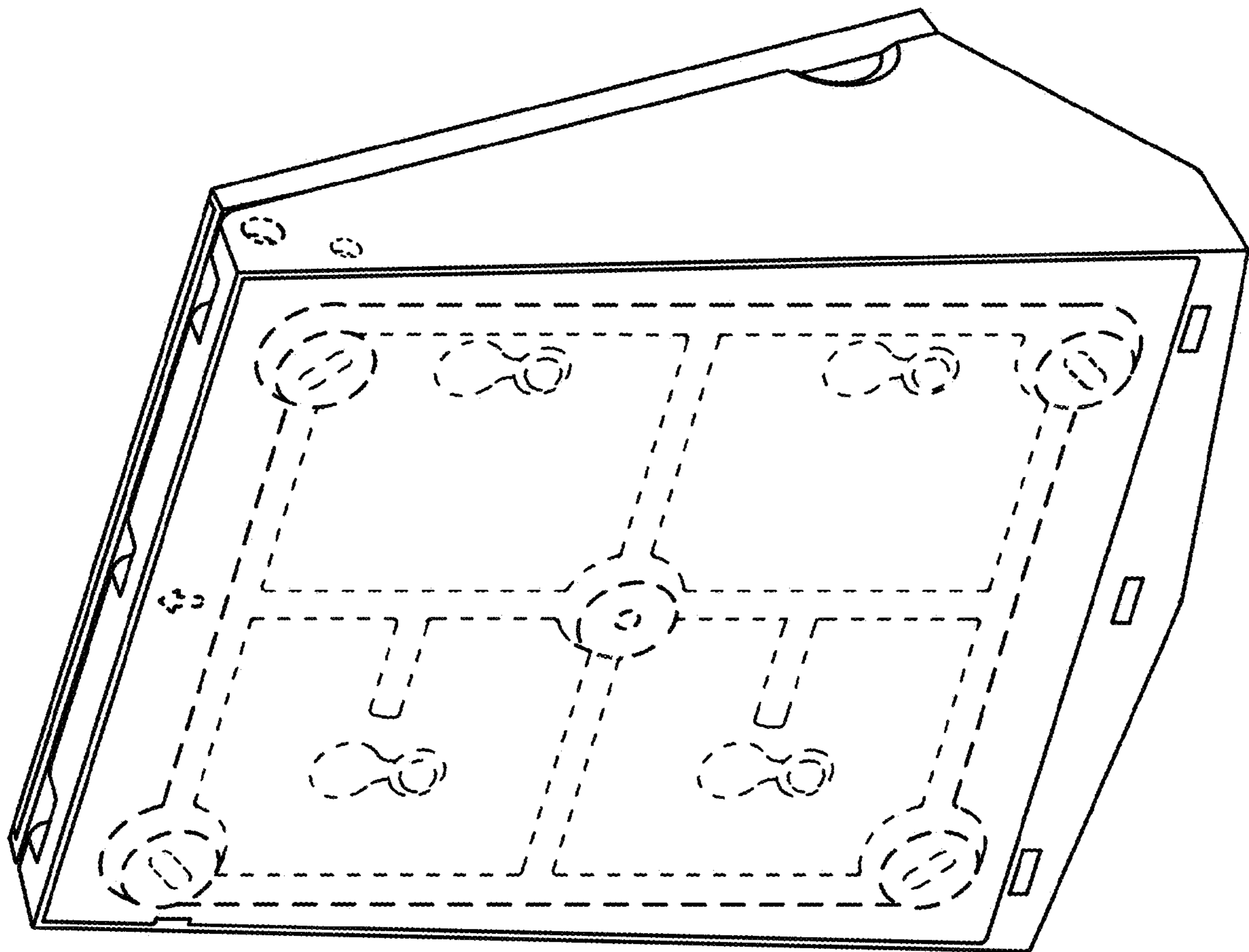


FIG. 8

FIG. 9



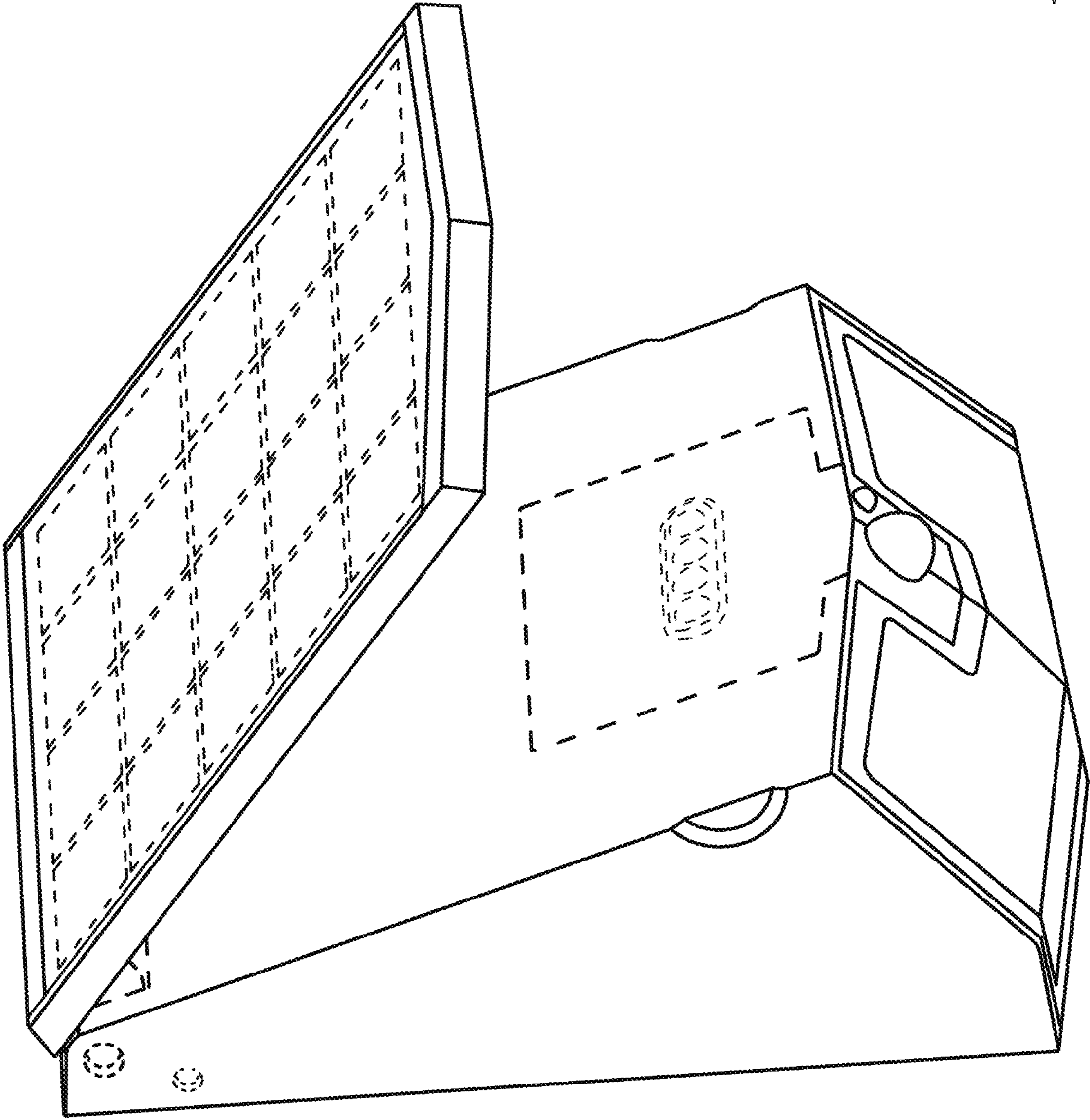


FIG. 10