

US00D929010S

(12) **United States Design Patent**
Zeng

(10) **Patent No.:** **US D929,010 S**

(45) **Date of Patent:** **** Aug. 24, 2021**

- (54) **LED HIGH BAY LIGHT**
- (71) Applicant: **SL LIGHT (HK) LIMITED**, Hong Kong (CN)
- (72) Inventor: **Miao Zeng**, Shenzhen (CN)
- (73) Assignee: **SL LIGHT (HK) LIMITED**, Kowloon (HK)
- (**) Term: **15 Years**
- (21) Appl. No.: **29/672,031**
- (22) Filed: **Dec. 2, 2018**
- (51) **LOC (13) Cl.** **26-05**
- (52) **U.S. Cl.**
USPC **D26/72**
- (58) **Field of Classification Search**
USPC D26/24, 63, 72, 74, 75-78, 80-92, 118, D26/120, 122, 142, 149; D13/134; D10/111-115
CPC F21V 23/003; F21V 23/023; F21V 29/71; F21V 29/713; F21V 29/717; F21V 29/73; F21V 29/74; F21V 29/745; F21V 29/75; F21V 29/76; F21V 5/00; F21V 1/02; F21V 15/01; F21Y 2115/10; F21S 8/002; F21S 8/04; F21S 8/026
See application file for complete search history.

- D803,453 S * 11/2017 Engle D26/72
- D812,805 S * 3/2018 Bendtsen F21S 8/00 D26/113
- D857,256 S * 8/2019 Li D26/24
- D868,334 S * 11/2019 Li D26/72
- D868,336 S * 11/2019 Li D26/72
- D869,726 S * 12/2019 Deng D26/72
- 2014/0268730 A1 * 9/2014 Lui F21V 23/008 362/227

FOREIGN PATENT DOCUMENTS

CN RGN-304242451 * 8/2017

* cited by examiner

Primary Examiner — Kevin K Rudzinski

Assistant Examiner — Richard Kearney

(74) *Attorney, Agent, or Firm* — Yong Chen

(57) **CLAIM**

The ornamental design for an LED high bay light, as shown and described.

DESCRIPTION

FIG. 1 is a front view of an LED high bay light of the present invention.

FIG. 2 is a back view thereof.

FIG. 3 is a left view thereof.

FIG. 4 is a right view thereof.

FIG. 5 is a top view thereof.

FIG. 6 is a bottom view thereof.

FIG. 7 is a first perspective view thereof.

FIG. 8 is a second perspective view thereof; and,

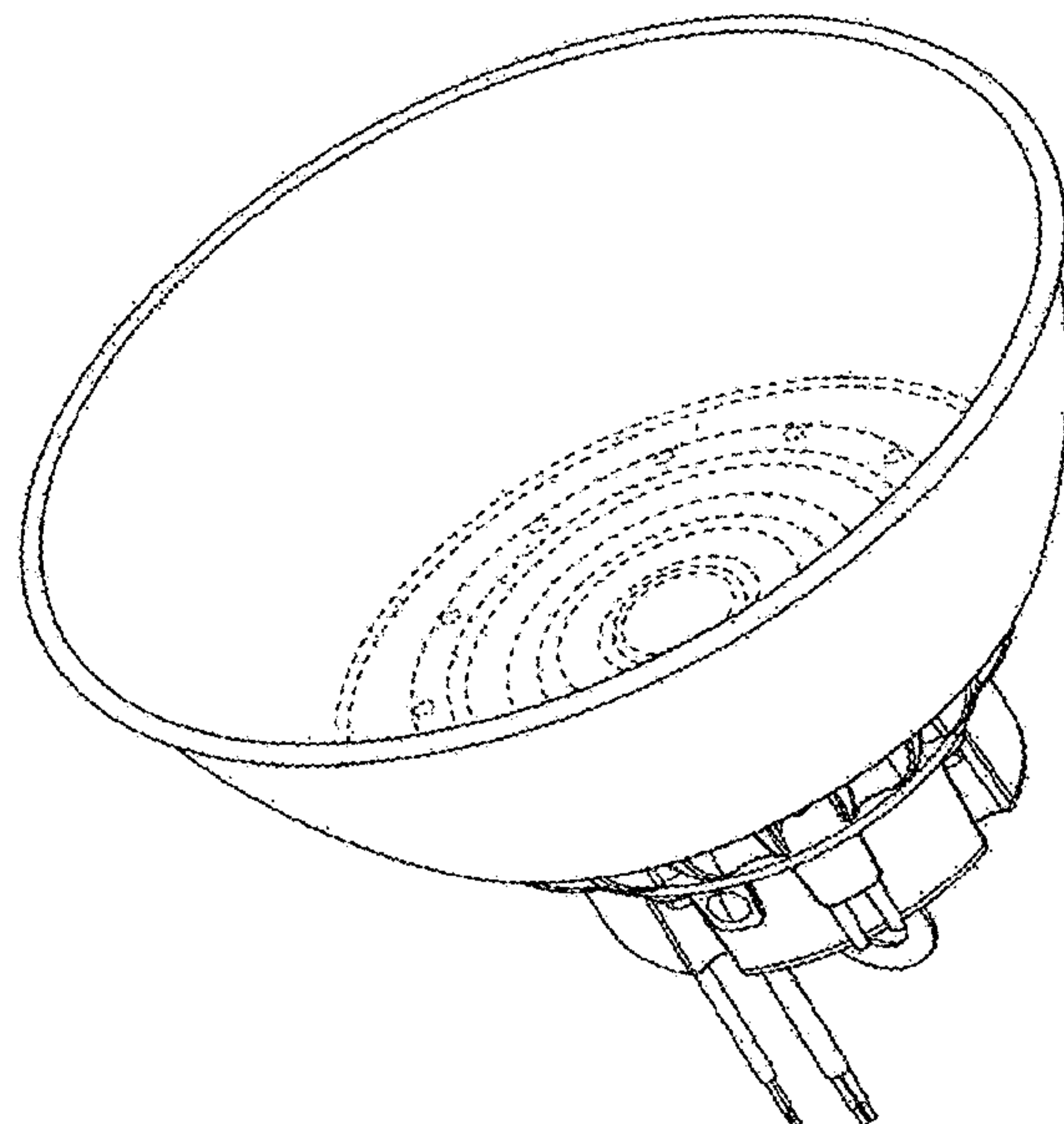
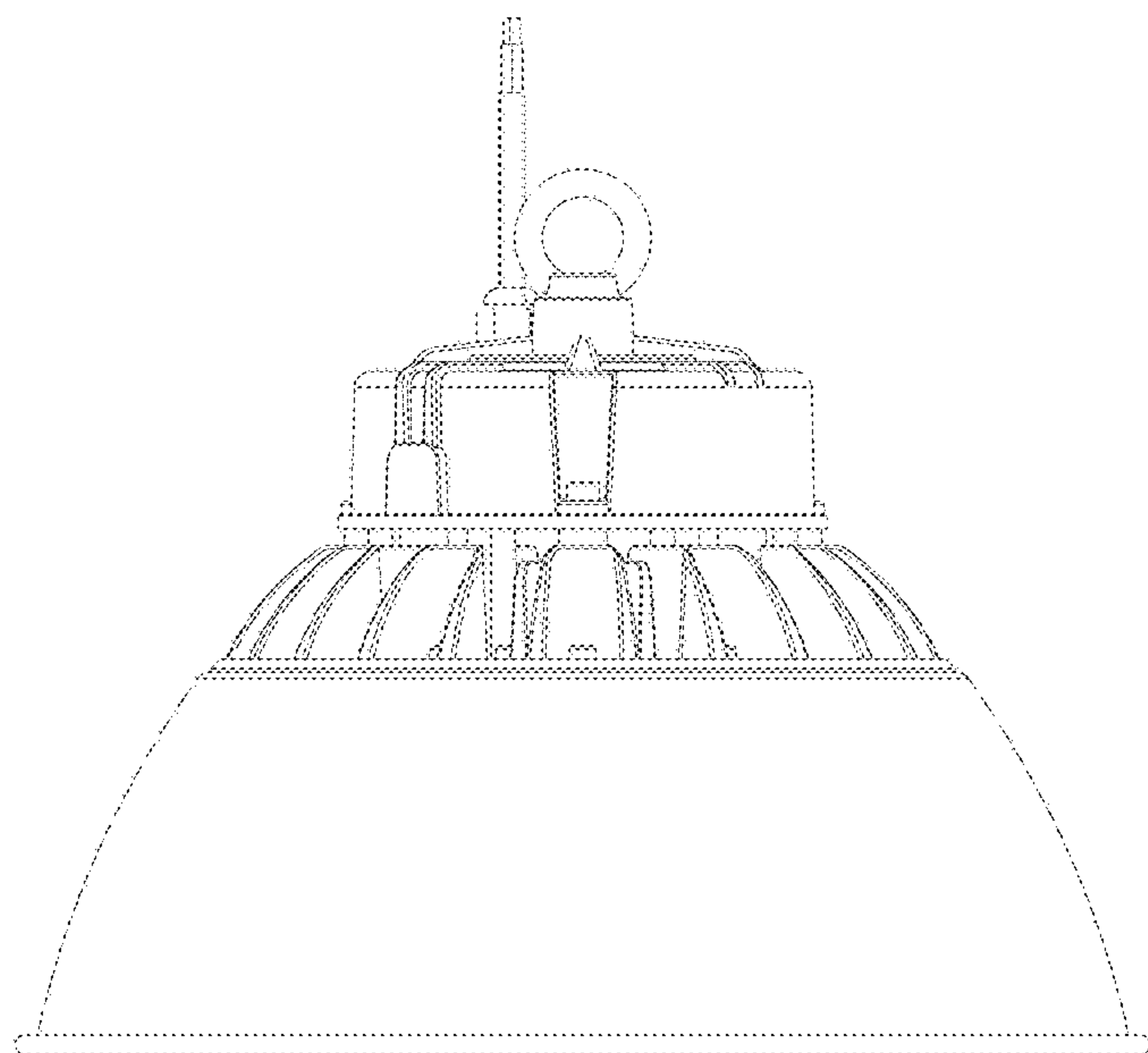
FIG. 9 is a third perspective view thereof.

The broken lines represent portions of the LED high bay light and form no part of the claimed design.

1 Claim, 9 Drawing Sheets

(56) **References Cited**
U.S. PATENT DOCUMENTS

- 7,097,332 B2 * 8/2006 Vamberi F21V 15/01 362/405
- D544,127 S * 6/2007 Posey D26/72
- D583,980 S * 12/2008 Guercio D26/88
- D687,585 S * 8/2013 Kim D26/72
- D750,317 S * 2/2016 Lui D26/138



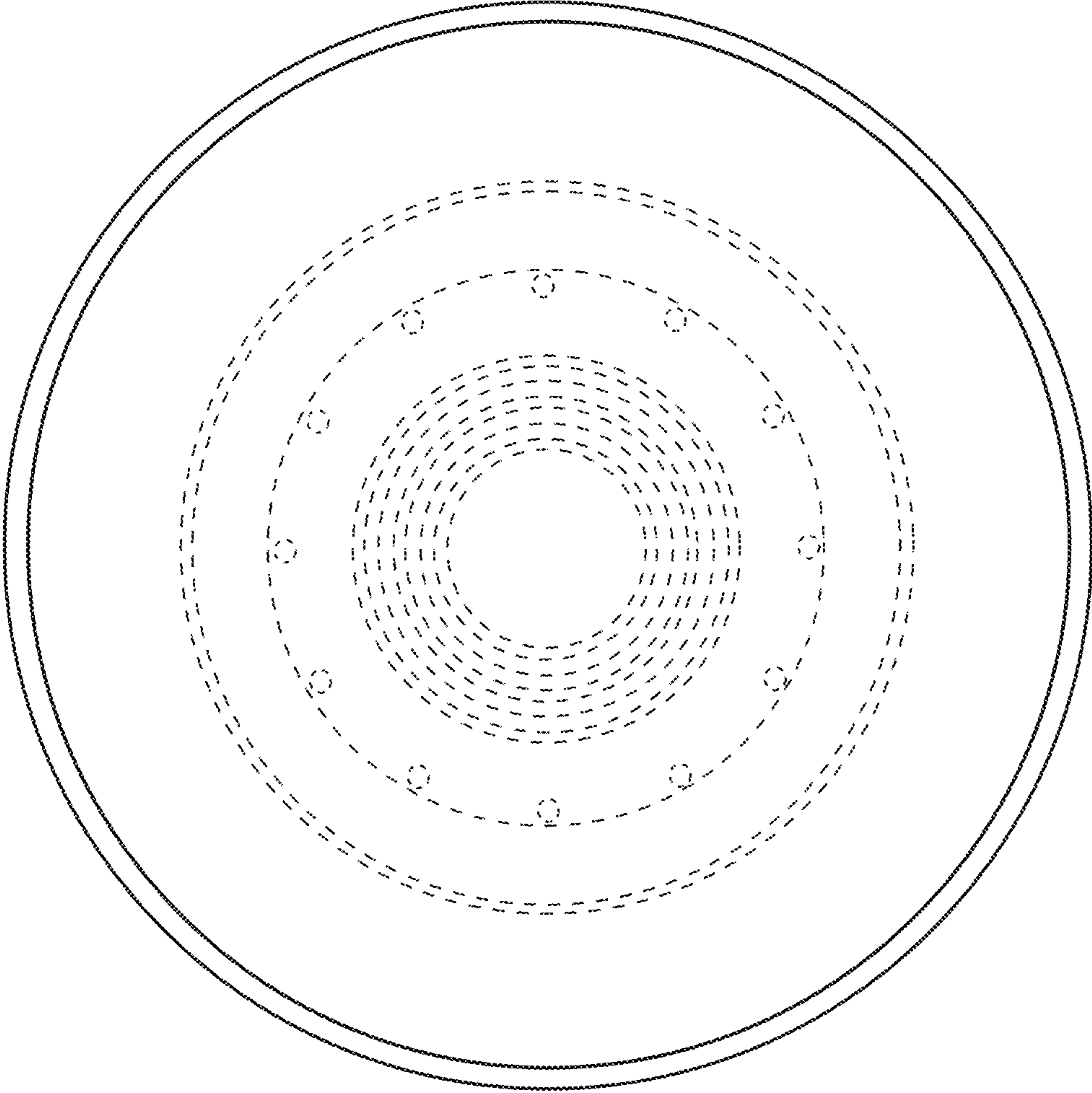


FIG. 1

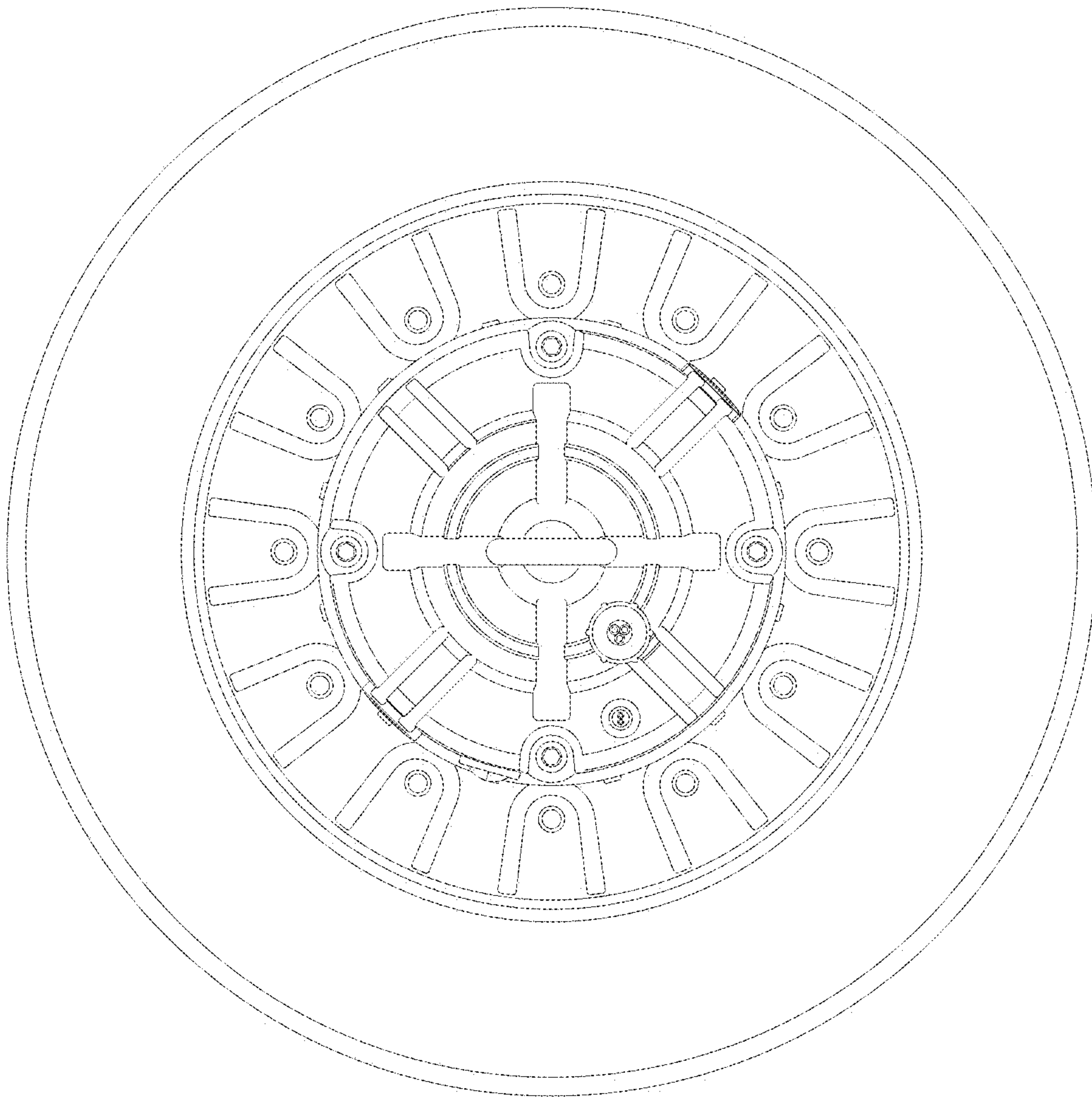


FIG. 2

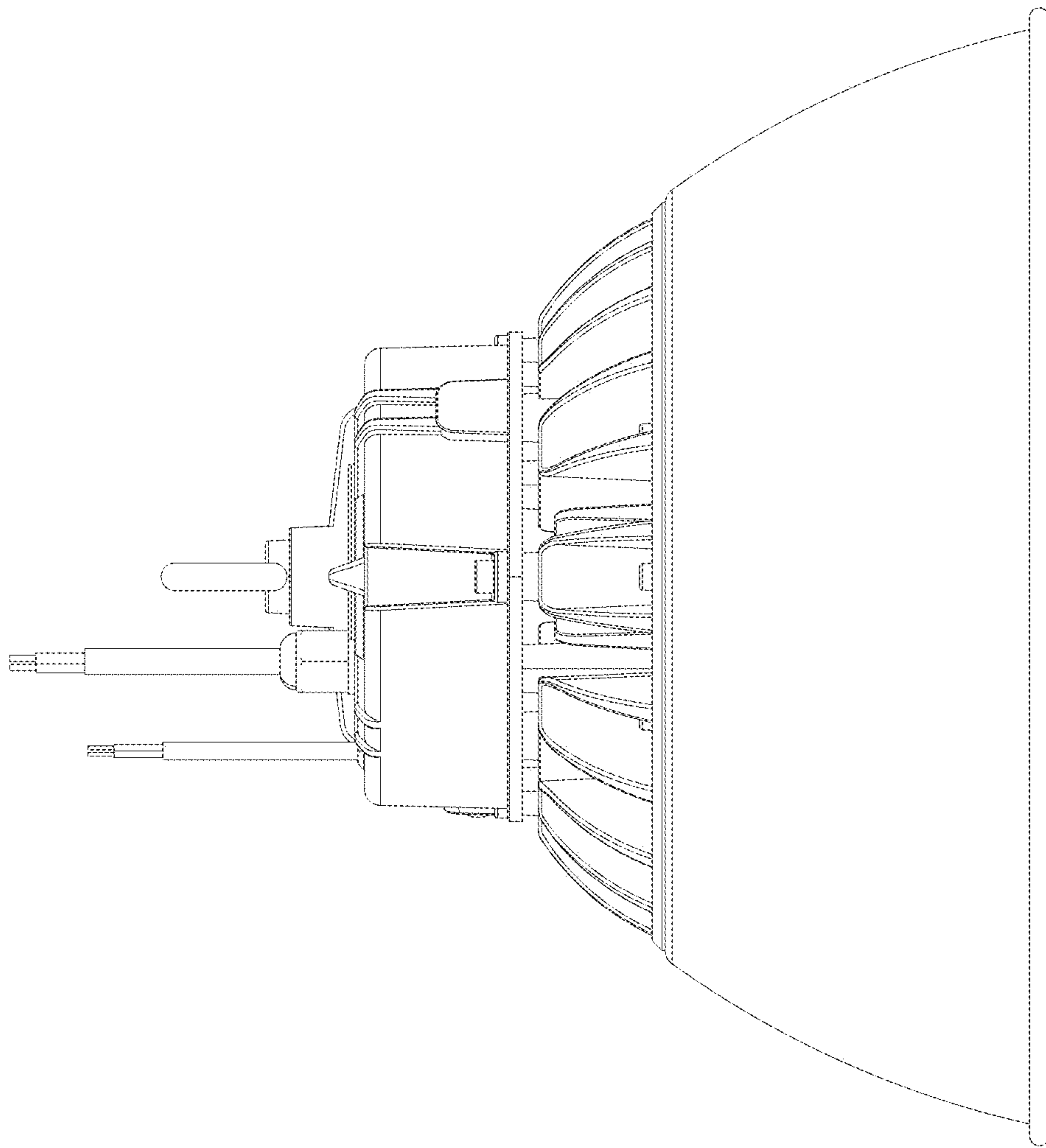


FIG. 3

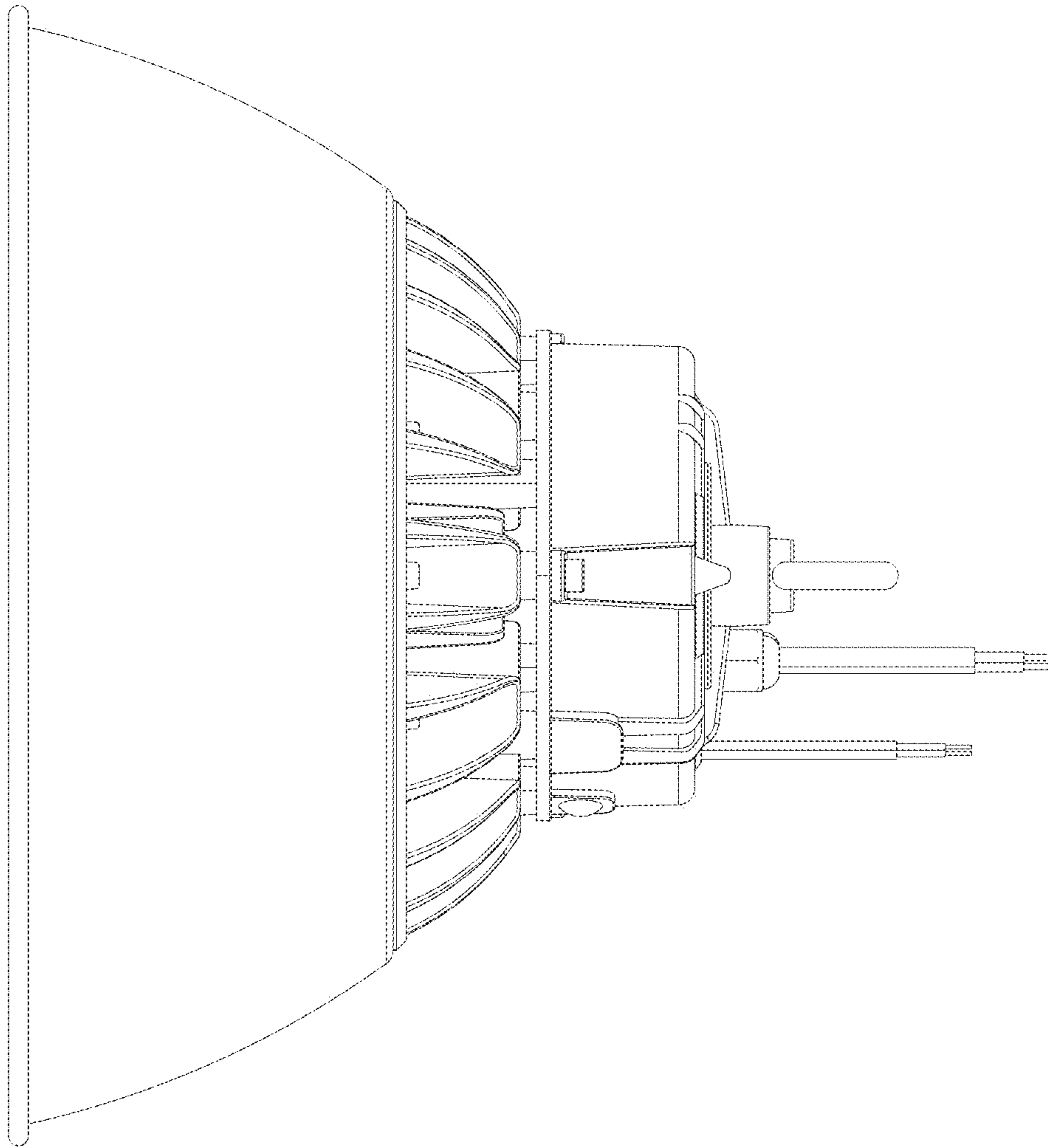


FIG. 4

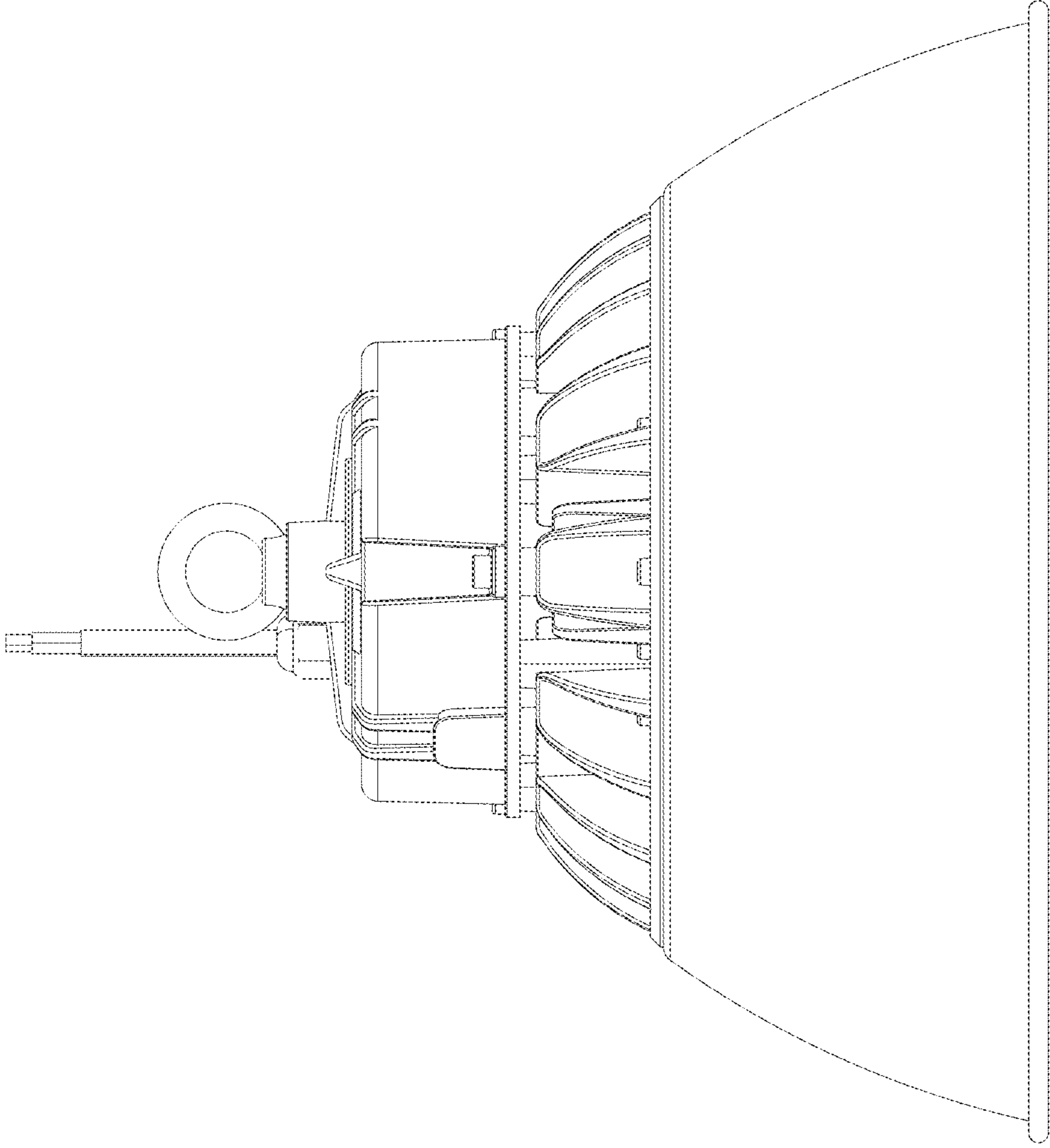


FIG. 5

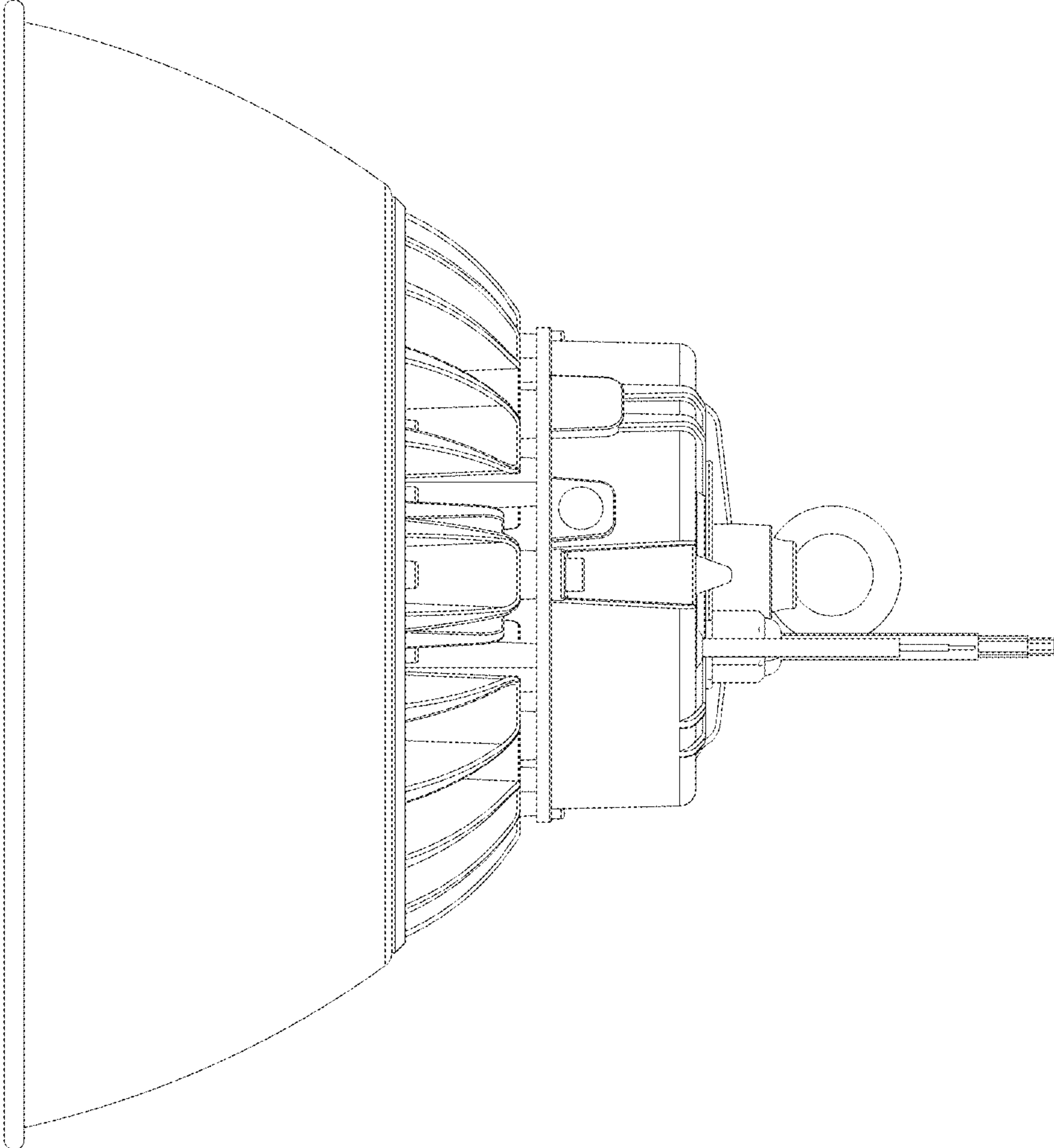


FIG. 6

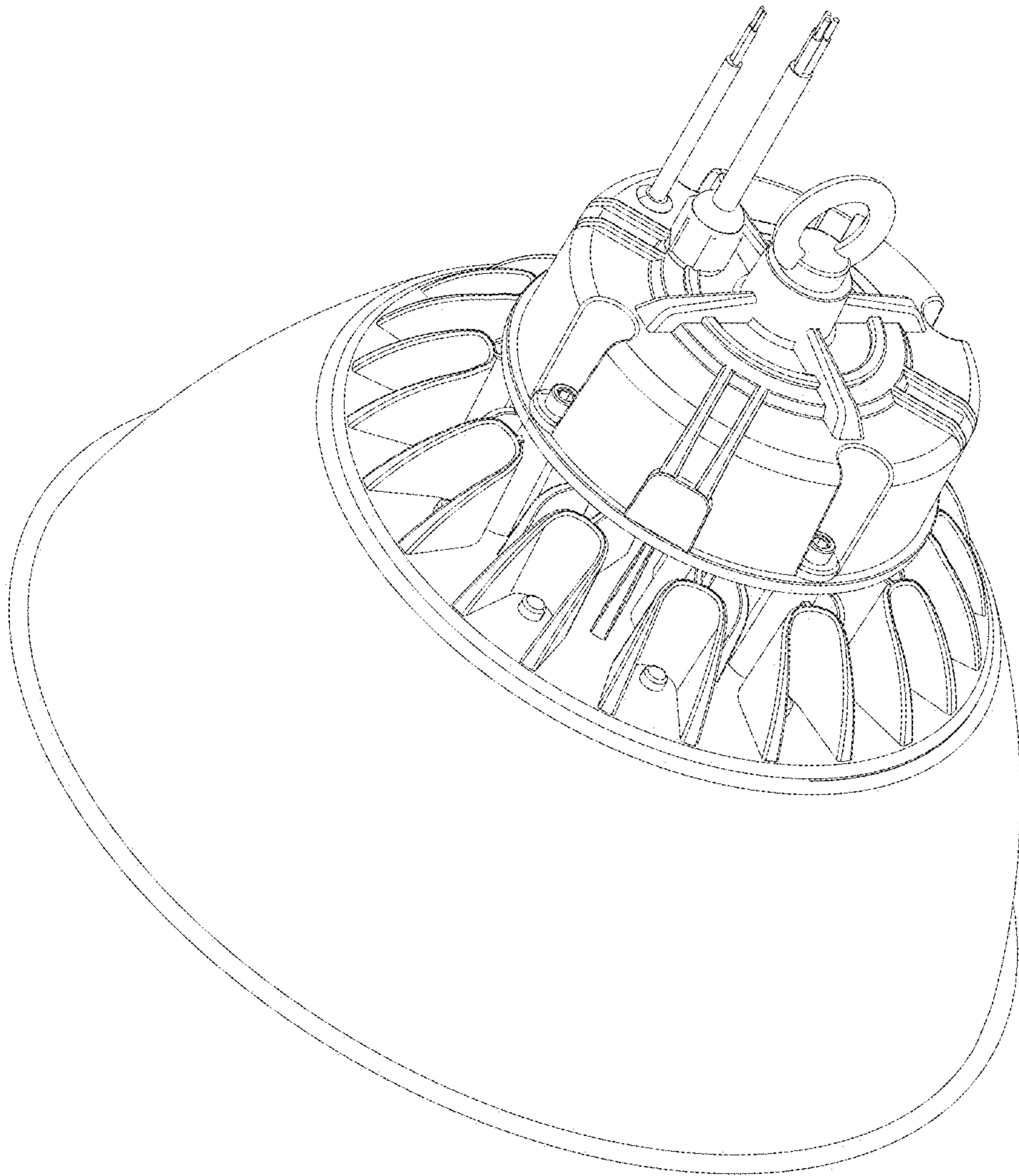


FIG. 7

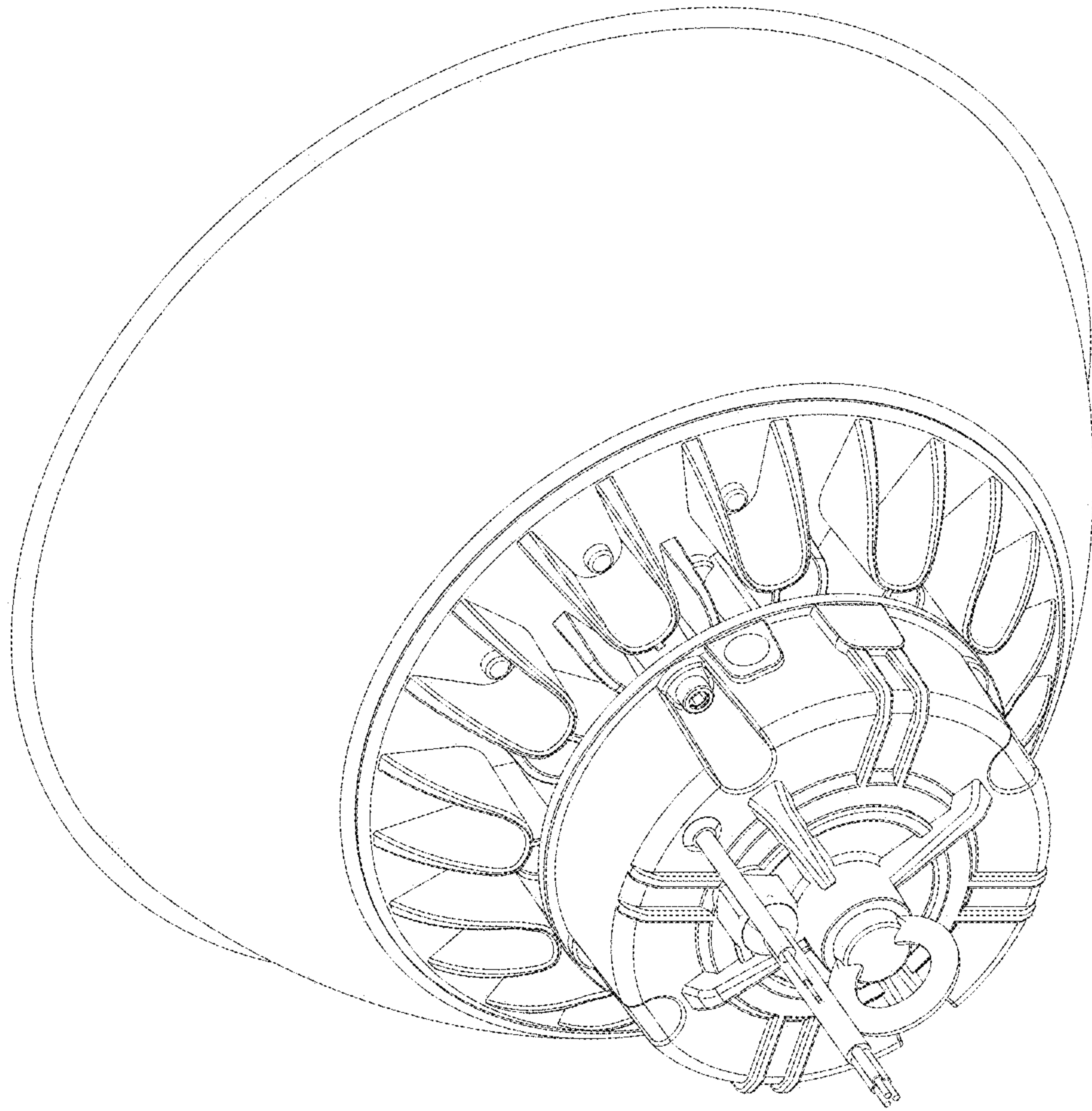


FIG. 8

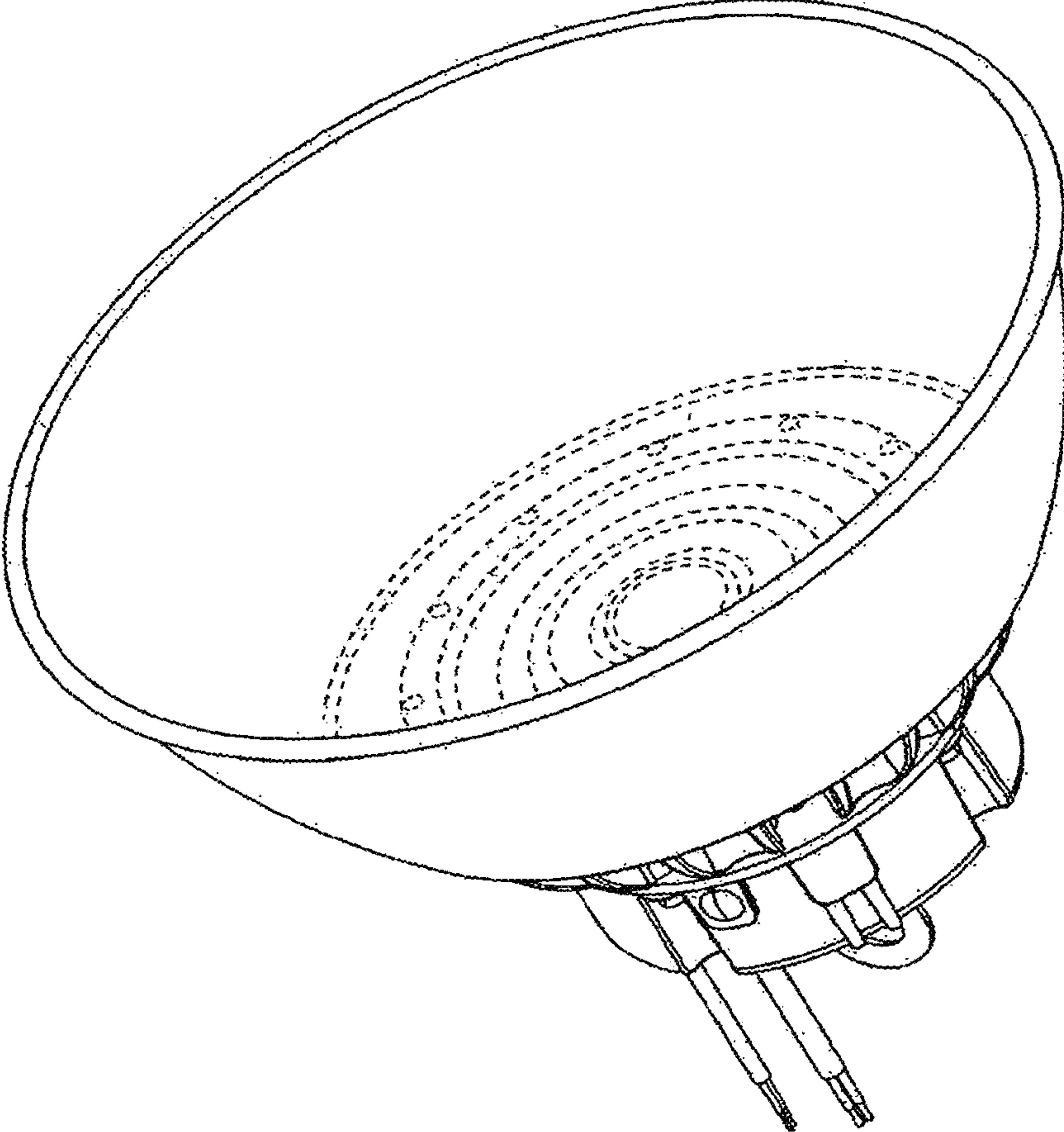


FIG. 9