



US00D929009S

(12) **United States Design Patent**
Siminoff et al.

(10) **Patent No.:** **US D929,009 S**

(45) **Date of Patent:** **** Aug. 24, 2021**

(54) **FLOOD LIGHT**

(71) Applicant: **Amazon Technologies, Inc.**, Seattle,
WA (US)

(72) Inventors: **Mark Siminoff**, Mountain View, CA
(US); **Alexsandra M. Bowers**,
Mayfield, OH (US); **Ryan D. Hruska**,
North Royalton, OH (US); **Christopher**
Loew, Palo Alto, CA (US); **James**
Siminoff, Pacific Palisades, CA (US)

(73) Assignee: **Amazon Technologies, Inc.**, Seattle,
WA (US)

(**) Term: **15 Years**

(21) Appl. No.: **29/735,247**

(22) Filed: **May 19, 2020**

Related U.S. Application Data

(62) Division of application No. 29/684,393, filed on Mar.
20, 2019, now Pat. No. Des. 888,309.

(51) **LOC (13) Cl.** **26-03**

(52) **U.S. Cl.**
USPC **D26/63**

(58) **Field of Classification Search**
USPC D26/24, 51, 61, 63, 65, 72, 80
CPC F21S 8/04; F21S 8/00; F21V 21/00; F21V
17/02; F21V 14/02; F21V 21/30; F21V
21/14; F21V 21/26; F21W 2131/10
See application file for complete search history.

(56) **References Cited**

U.S. PATENT DOCUMENTS

- 5,258,899 A * 11/1993 Chen F21V 17/02
362/394
- 5,649,761 A * 7/1997 Sandell F21V 17/02
362/276
- D392,406 S * 3/1998 Morrow D26/65

- D713,578 S * 9/2014 Chen D26/63
- D713,581 S * 9/2014 Chen D26/63
- D742,053 S * 10/2015 Sussman D26/63
- D745,201 S * 12/2015 Lee D26/63

(Continued)

FOREIGN PATENT DOCUMENTS

- JP D1385931 4/2010
- TW 098792 4/1988

(Continued)

OTHER PUBLICATIONS

Taiwanese Office Action dated Apr. 24, 2020 for Taiwanese Patent
Application No. 108305724, a counterpart of U.S. Appl. No.
29/684,393, 3 pages.

(Continued)

Primary Examiner — Brian N. Vinson

(74) *Attorney, Agent, or Firm* — Lee & Hayes, P.C.

(57)

CLAIM

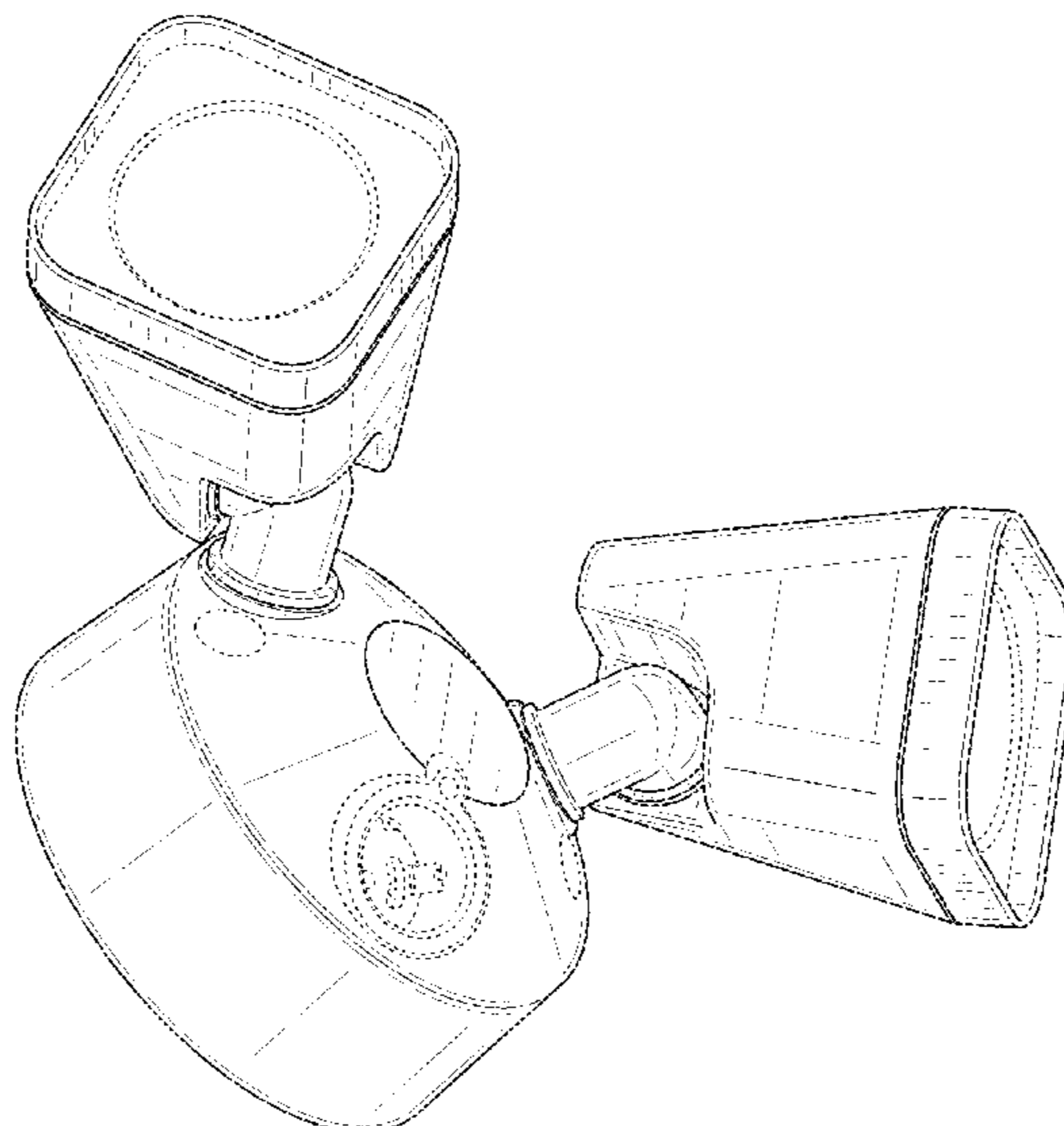
The ornamental design for a flood light, as shown and
described.

DESCRIPTION

FIG. 1 is a front, left, bottom perspective view of a flood
light according to the present design;
FIG. 2 is a back, right, top perspective view thereof;
FIG. 3 is a front, right, top perspective view thereof;
FIG. 4 is a back, left, bottom perspective view thereof;
FIG. 5 is a front elevation view thereof;
FIG. 6 is a back elevation view thereof;
FIG. 7 is a left-side elevation view thereof;
FIG. 8 is a right-side elevation view thereof;
FIG. 9 is a top plan view thereof; and,
FIG. 10 is a bottom plan view thereof.

The dashed lines depict portions of the flood light that form
no part of the claimed design.

1 Claim, 10 Drawing Sheets



(56)

References Cited

U.S. PATENT DOCUMENTS

D769,499 S 10/2016 Gough
D782,094 S 3/2017 Fletcher et al.
D810,982 S * 2/2018 Liang D26/63
D869,038 S * 12/2019 Recker D26/63

FOREIGN PATENT DOCUMENTS

TW D188095 1/2018
TW D198513 7/2019

OTHER PUBLICATIONS

Taiwanese Office Action dated Apr. 24, 2020 for Taiwanese Patent Application No. 108305722, a counterpart of U.S. Appl. No. 29/684,393, 3 pages.

Taiwanese Office Action dated Apr. 24, 2020 for Taiwanese Patent Application No. 108305725, a counterpart of U.S. Appl. No. 29/684,393, 3 pages.

Taiwanese Office Action dated Apr. 24, 2020 for Taiwanese Patent Application No. 108305723, a counterpart of U.S. Appl. No. 29/684,393, 3 pages.

* cited by examiner

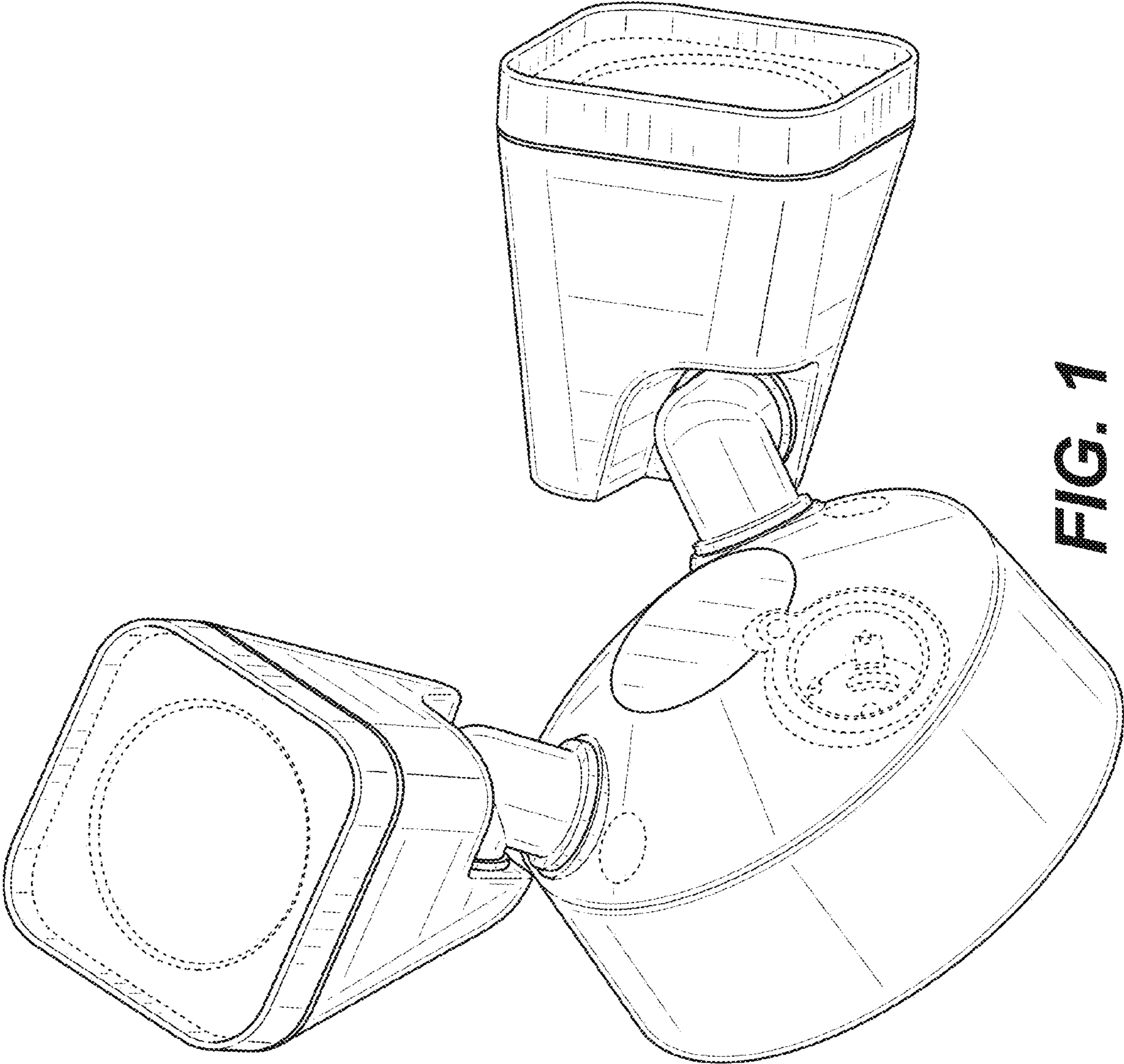


FIG. 1

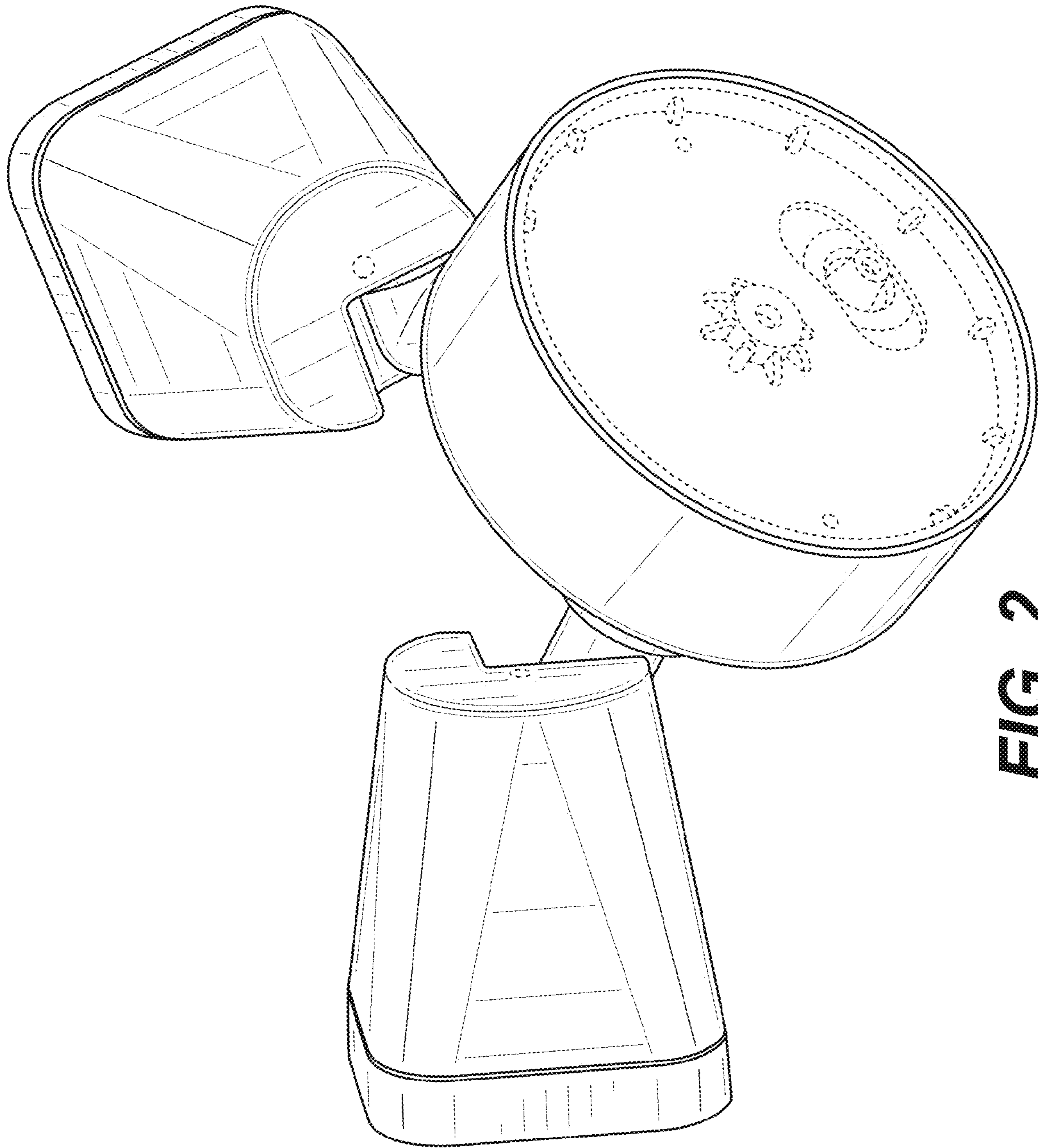


FIG. 2

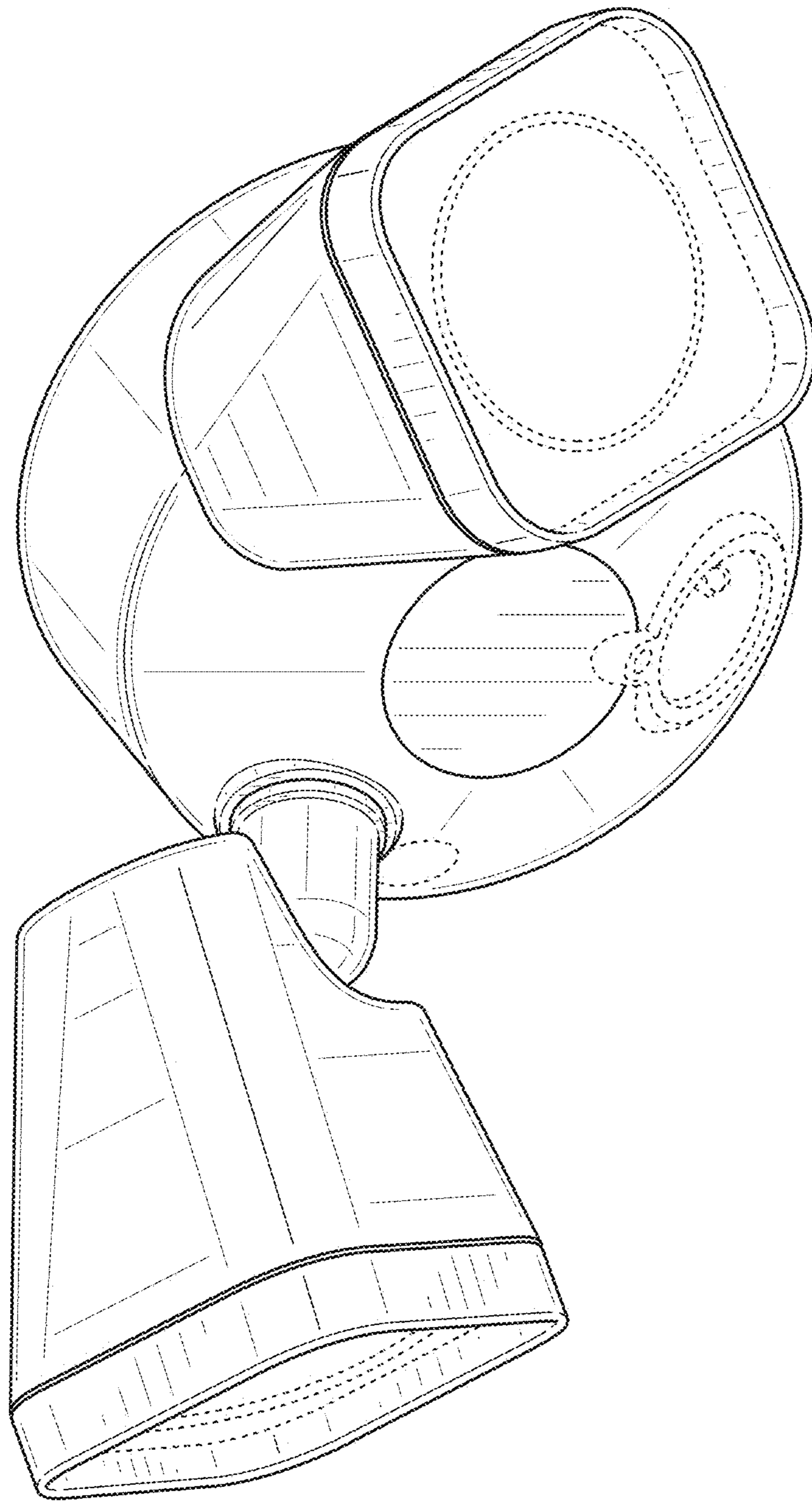


FIG. 3

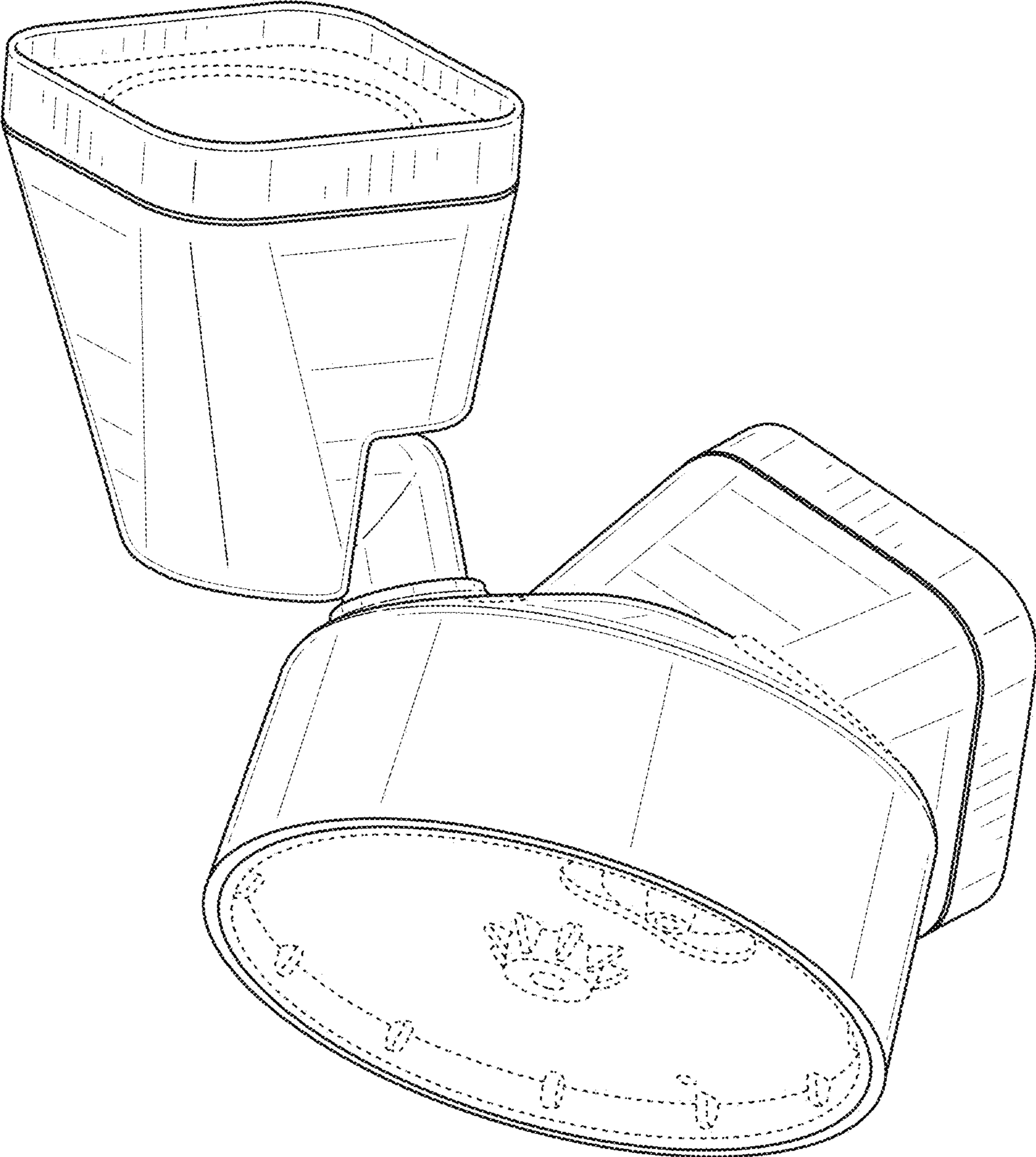


FIG. 4

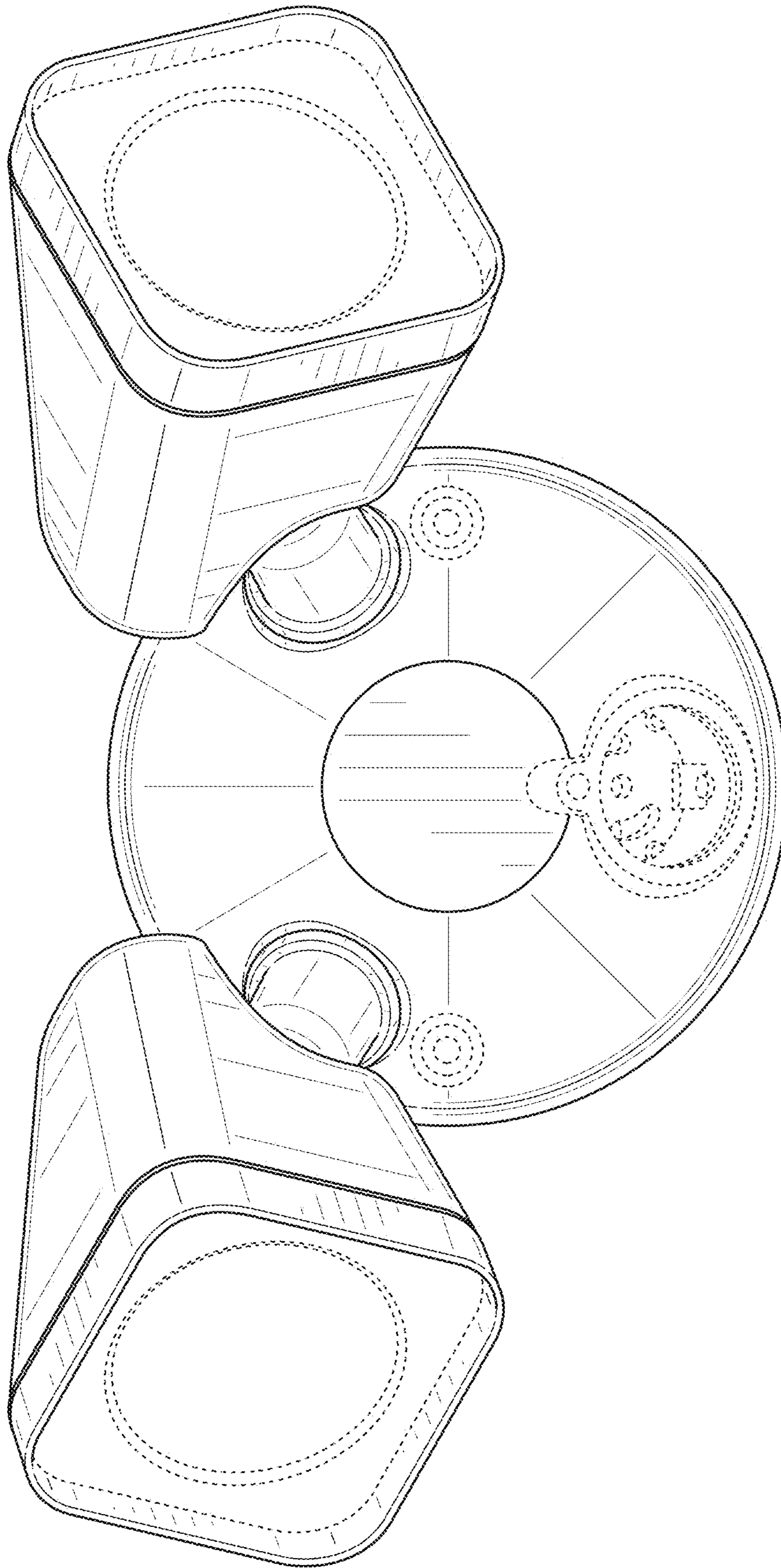


FIG. 5

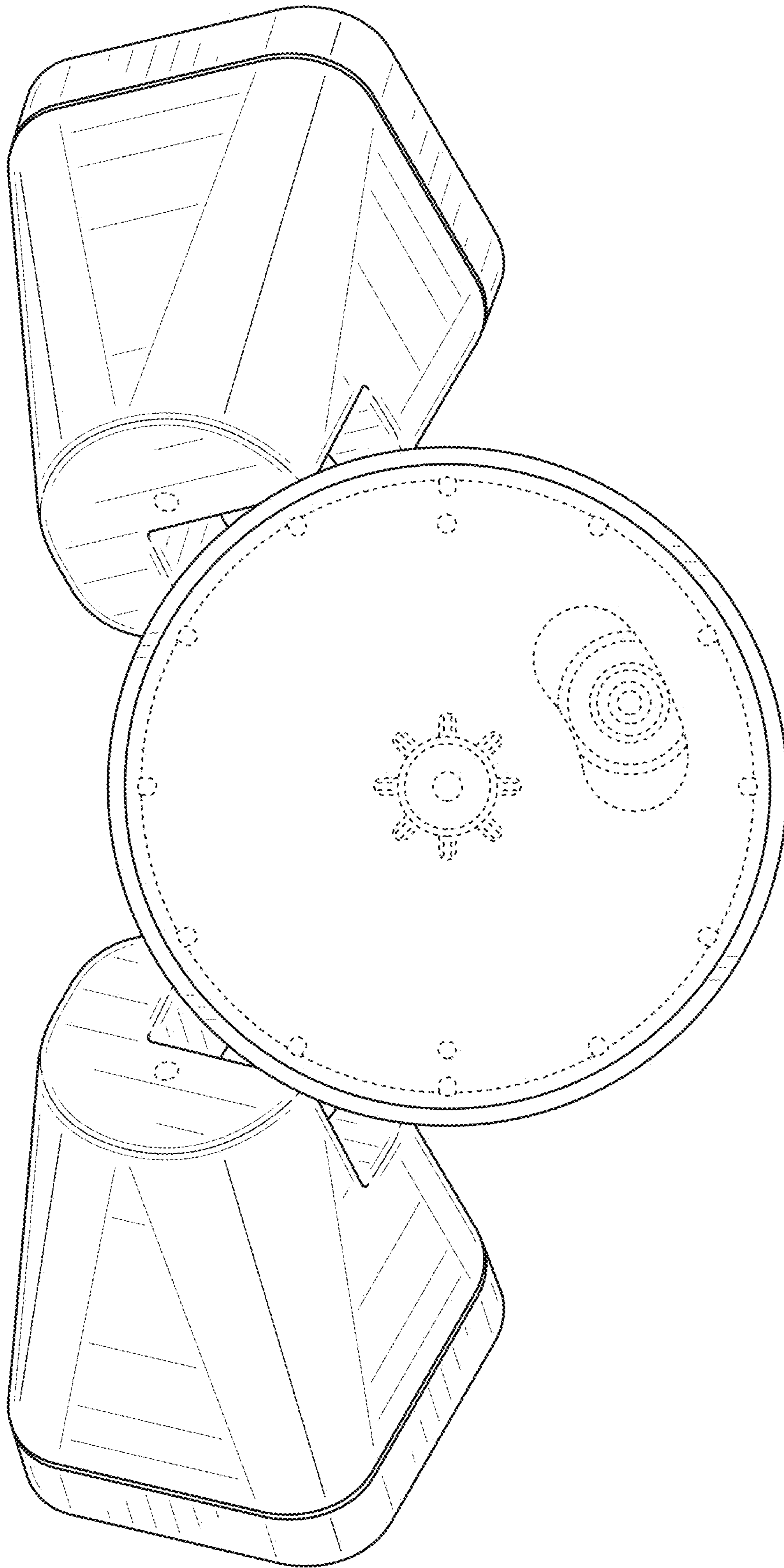


FIG. 6

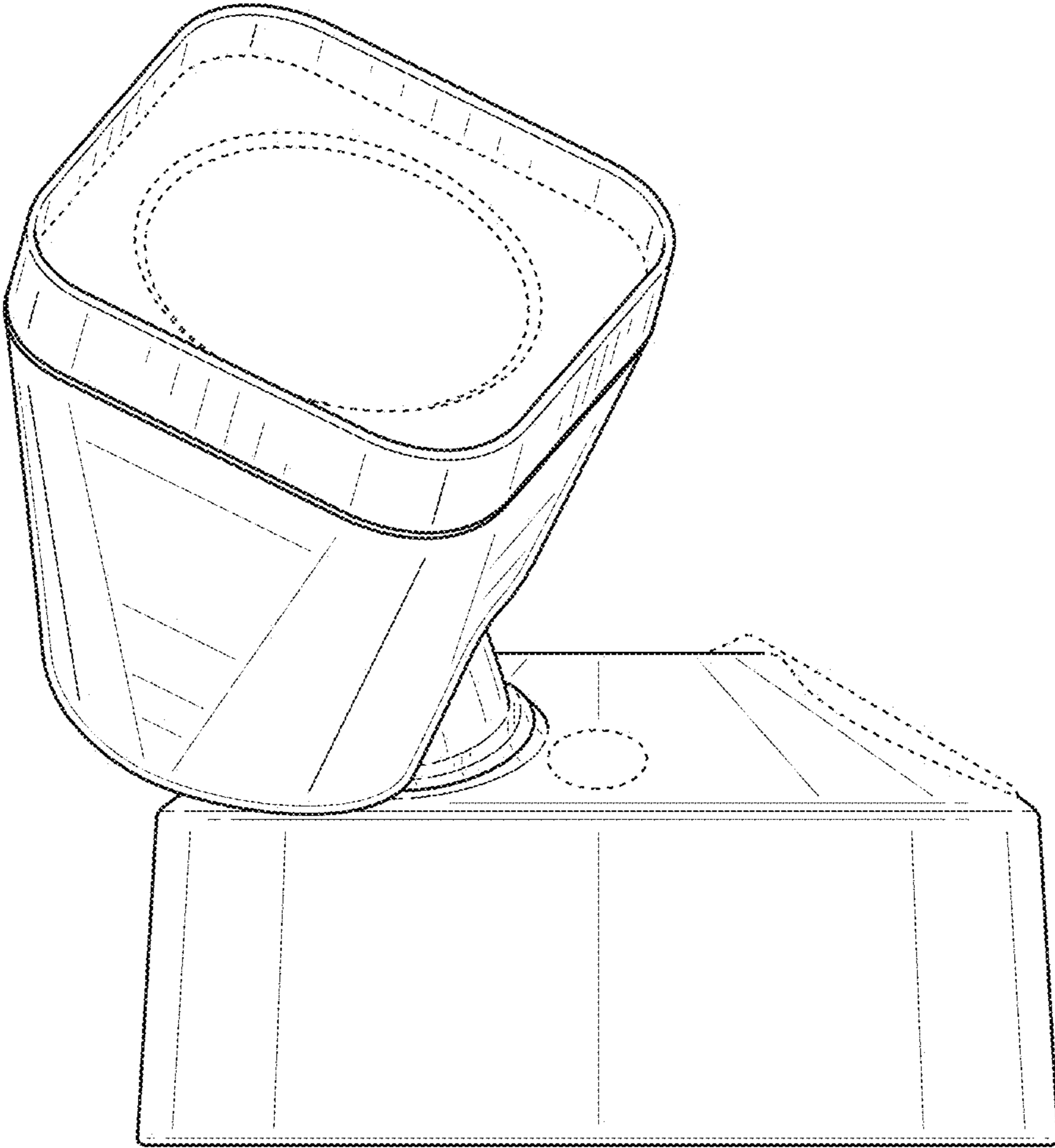


FIG. 7

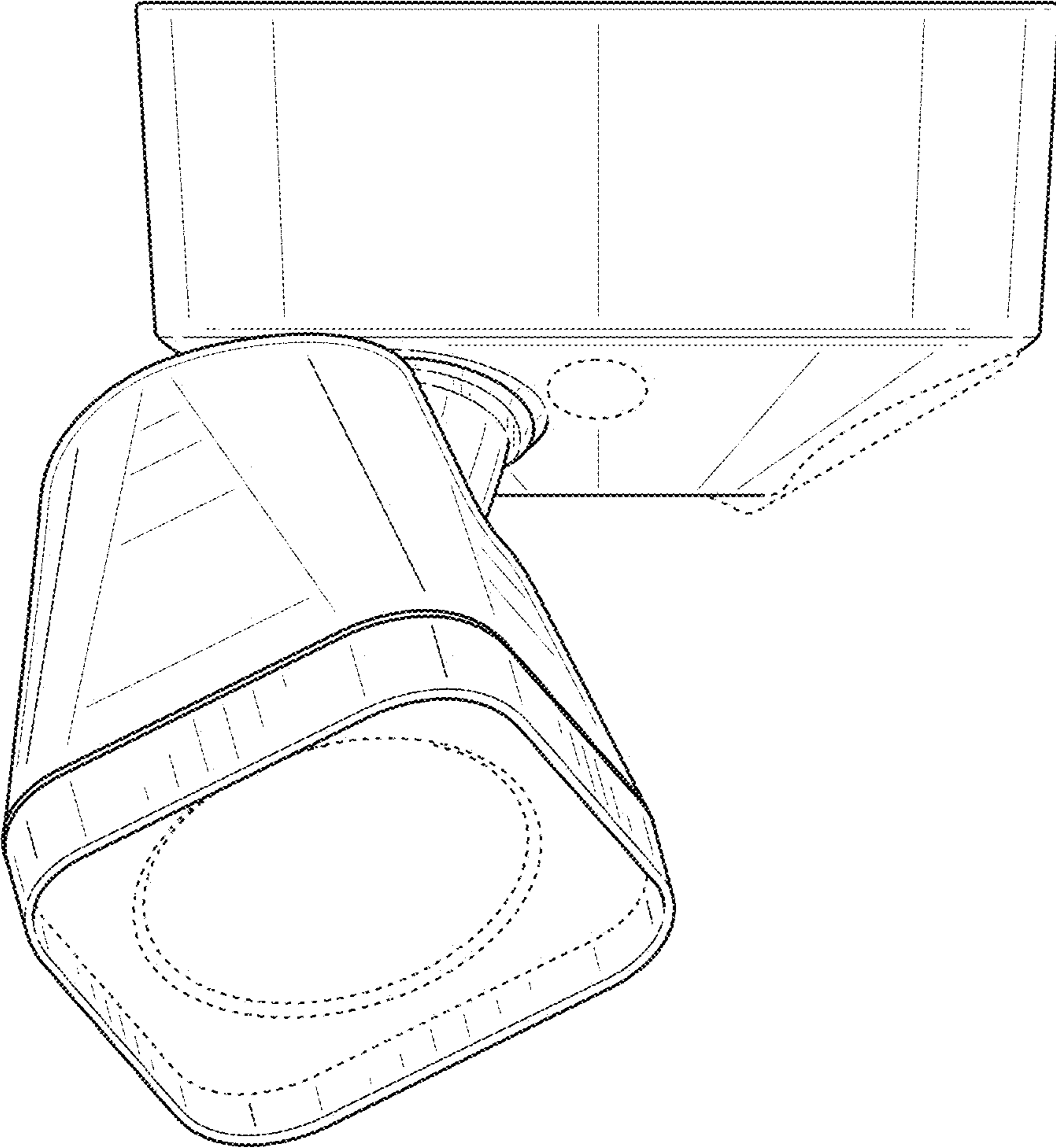


FIG. 8

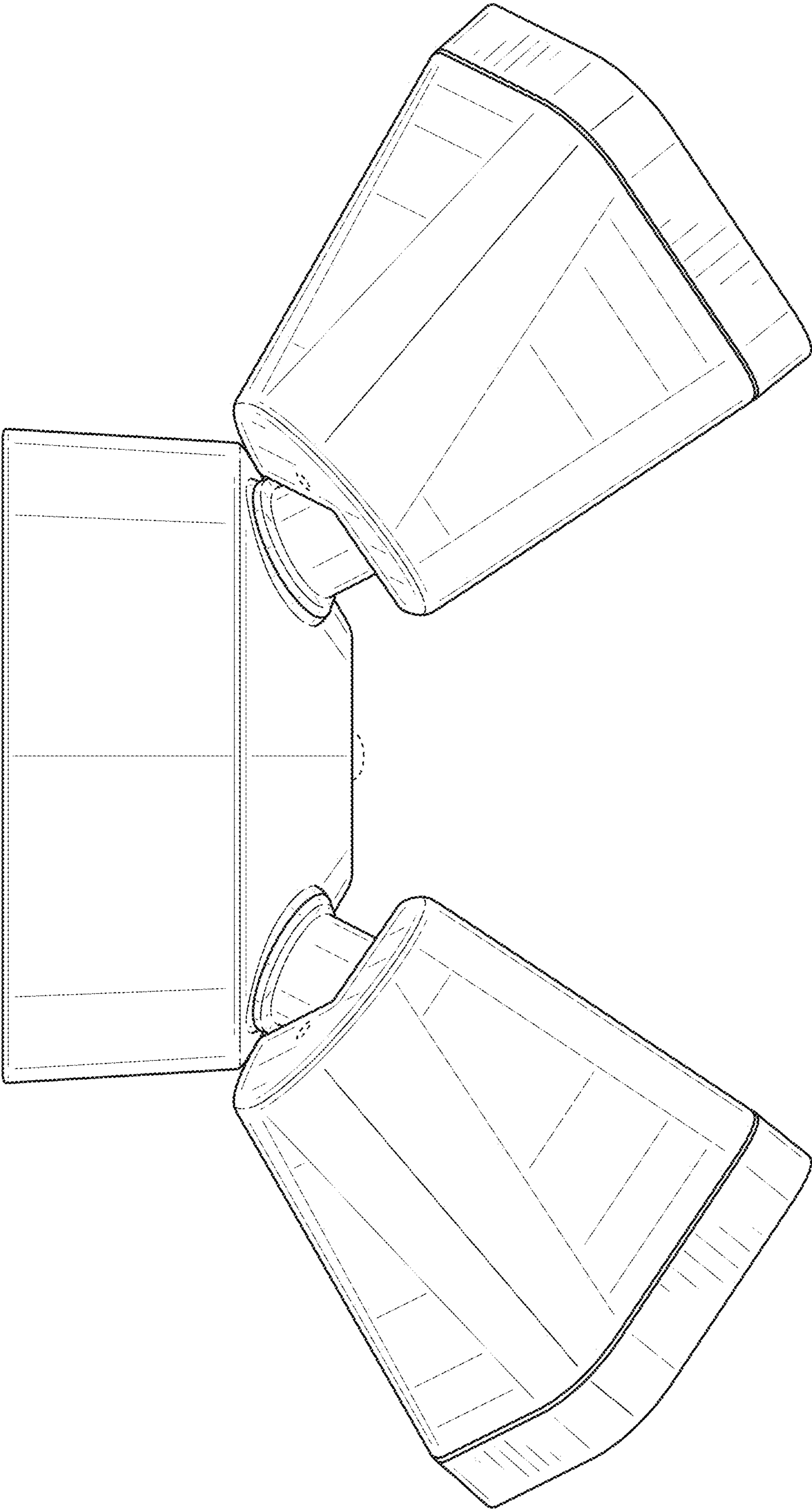


FIG. 9

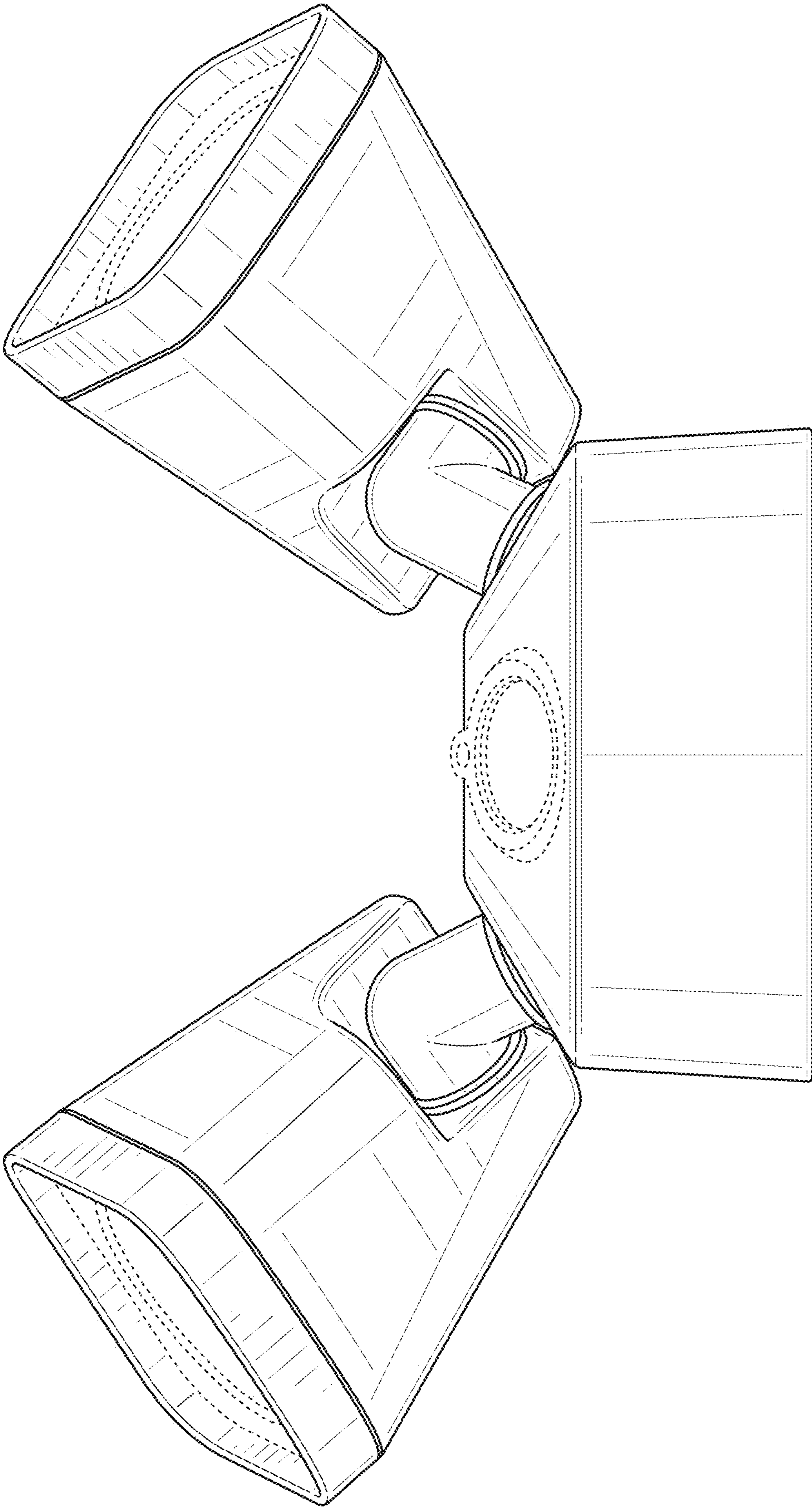


FIG. 10