



US00D929008S

(12) **United States Design Patent**
Singh et al.

(10) **Patent No.:** **US D929,008 S**

(45) **Date of Patent:** **** Aug. 24, 2021**

(54) **MOTION ACTIVATED LIGHT**

10,145,548 B2 * 12/2018 Chen F21V 21/30
D866,036 S * 11/2019 Tan D26/63
D908,262 S * 1/2021 Dai D26/63

(71) Applicant: **Fresh Source International Inc.**,
Elmhurst, IL (US)

* cited by examiner

(72) Inventors: **Ajay Singh**, Hoffman Estates, IL (US);
Manish Singh, Elmhurst, IL (US)

Primary Examiner — Brian N. Vinson
(74) *Attorney, Agent, or Firm* — The Webb Law Firm

(73) Assignee: **Fresh Source International Inc.**,
Elmhurst, IL (US)

(57) **CLAIM**

The ornamental design for a motion activated light, as shown and described.

(**) Term: **15 Years**

DESCRIPTION

(21) Appl. No.: **29/730,419**

FIG. 1 is a perspective view of a motion activated light, in accordance with an embodiment of the present invention.

(22) Filed: **Apr. 3, 2020**

FIG. 2 is another perspective view of the motion activated light of FIG. 1.

(51) **LOC (13) Cl.** **26-03**

FIG. 3 is another perspective view of the motion activated light of FIG. 1.

(52) **U.S. Cl.**

FIG. 4 is another perspective view of the motion activated light of FIG. 1.

USPC **D26/63**

(58) **Field of Classification Search**

FIG. 5 is a front view of the motion activated light of FIG. 1.

USPC D26/61, 63, 64, 118, 120

CPC F21V 17/02; F21V 21/08; F21V 21/26;

F21V 21/06; F21V 21/00; F21W 2131/30;

F21W 2131/10; F21S 8/04; F21S 6/003;

F21S 8/003; F21S 8/00; F21F 6/00

See application file for complete search history.

FIG. 6 is a top view of the motion activated light of FIG. 1.

FIG. 7 is a left side view of the motion activated light of FIG. 1.

FIG. 8 is a right side view of the motion activated light of FIG. 1.

FIG. 9 is a rear view of the motion activated light of FIG. 1; and,

FIG. 10 is a bottom view of the motion activated light of FIG. 1.

The broken lines representing coupling members, shown in FIGS. 7, 8 and 10, represent disclaimed subject matter and form no part of the claimed design.

(56) **References Cited**

U.S. PATENT DOCUMENTS

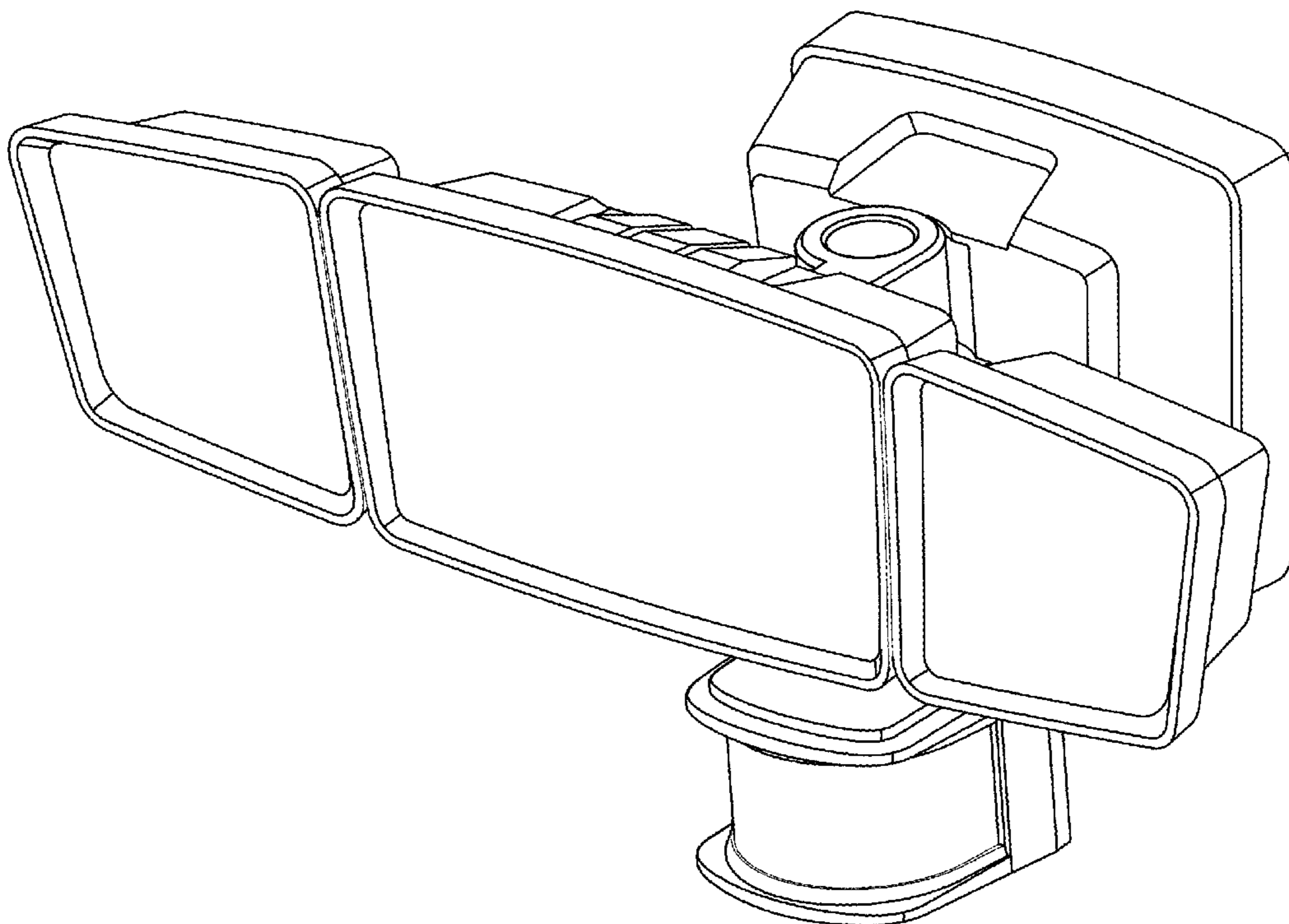
D735,927 S * 8/2015 Lee D26/120

D764,700 S * 8/2016 Chen D26/118

D835,335 S * 12/2018 Paredes F21V 21/29

D26/120

1 Claim, 10 Drawing Sheets



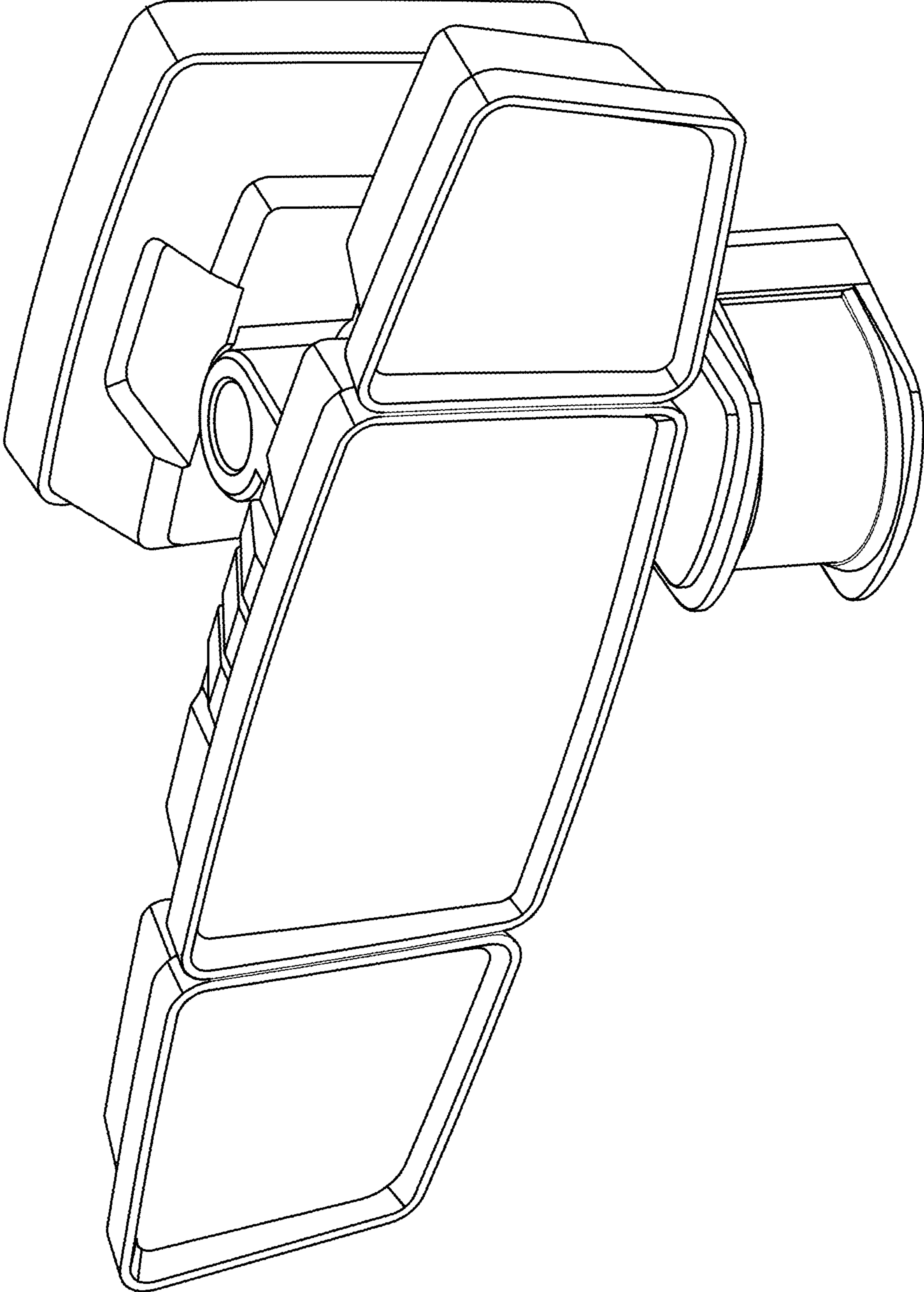


FIG.1

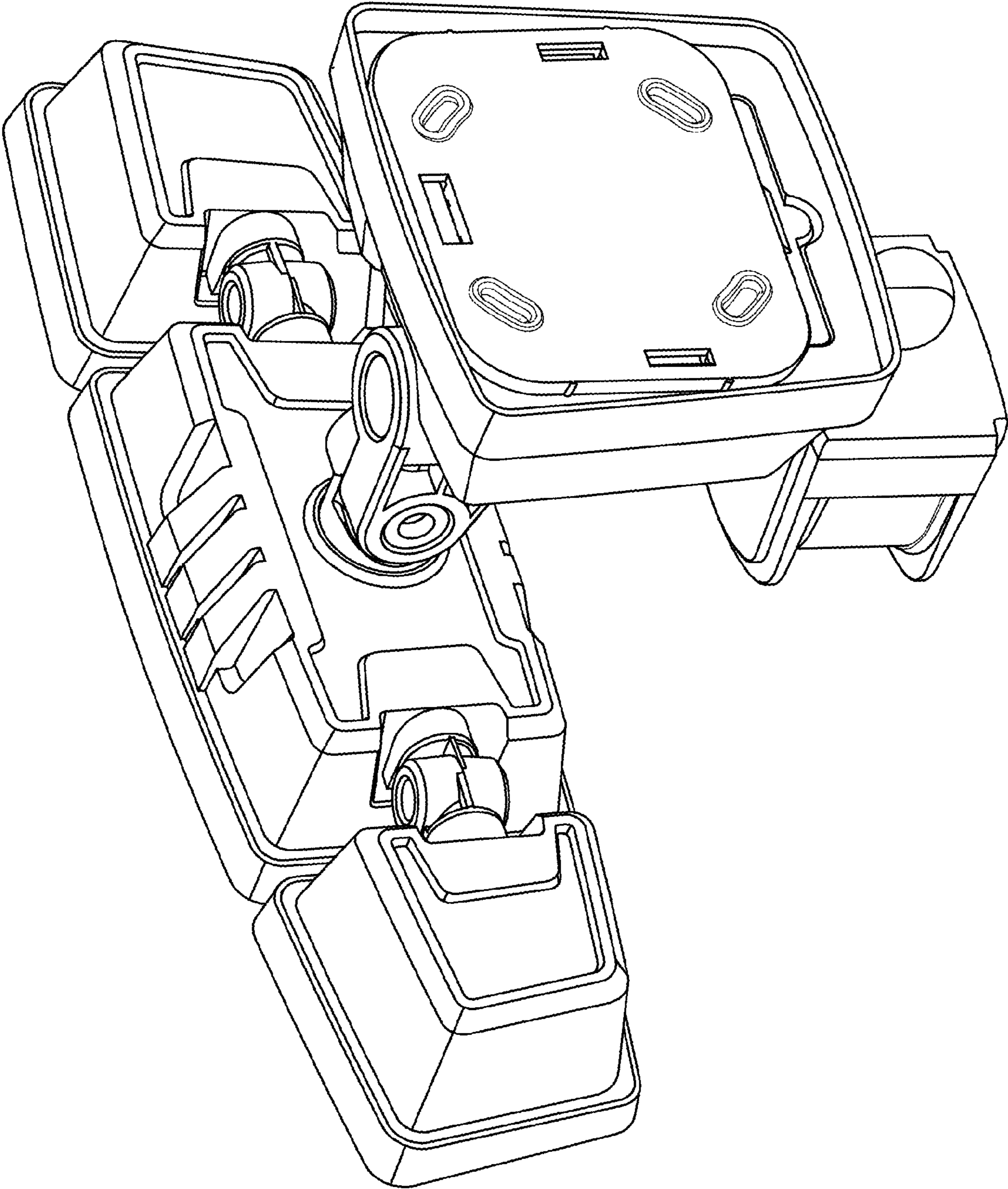


FIG.2

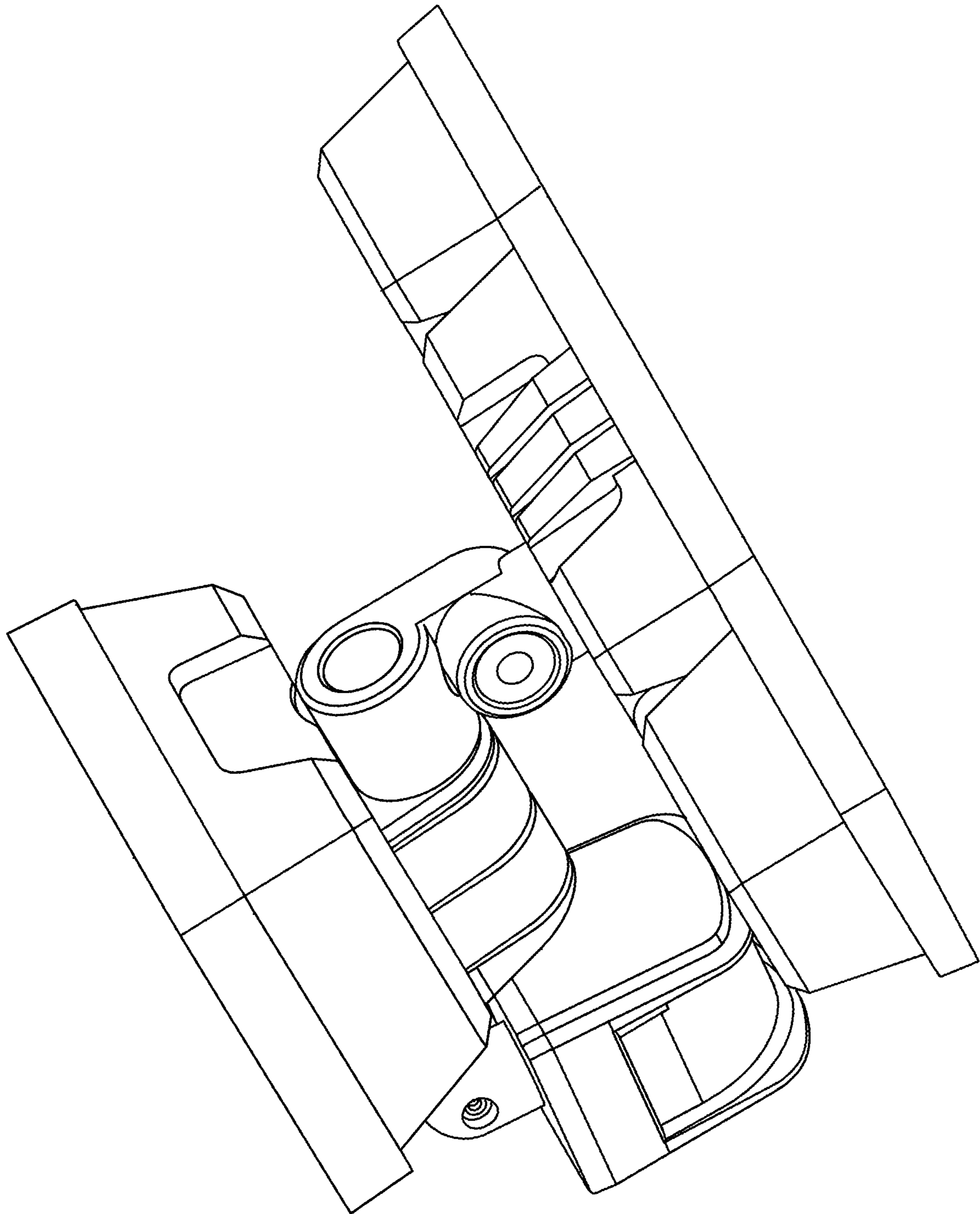


FIG. 3

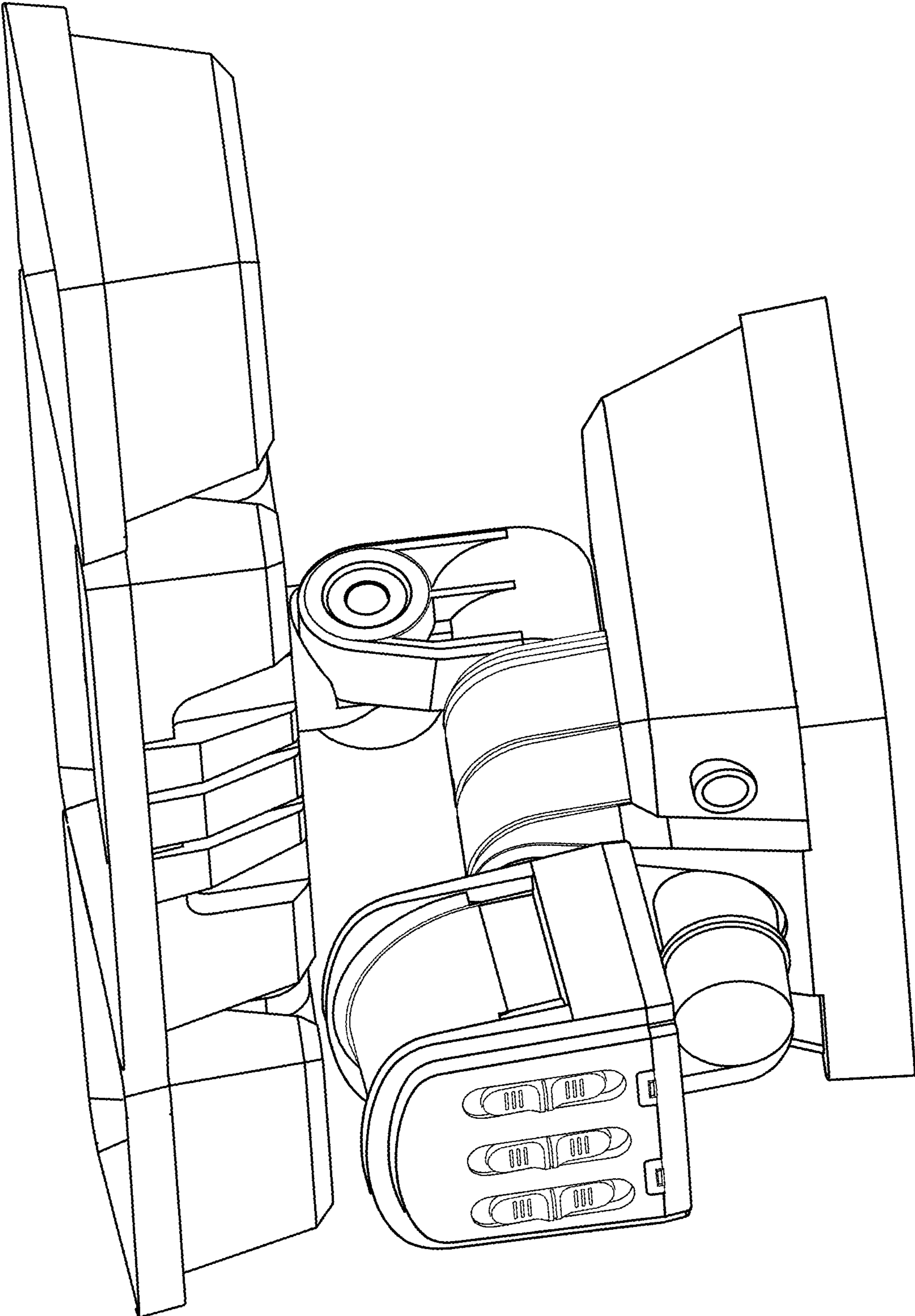


FIG.4

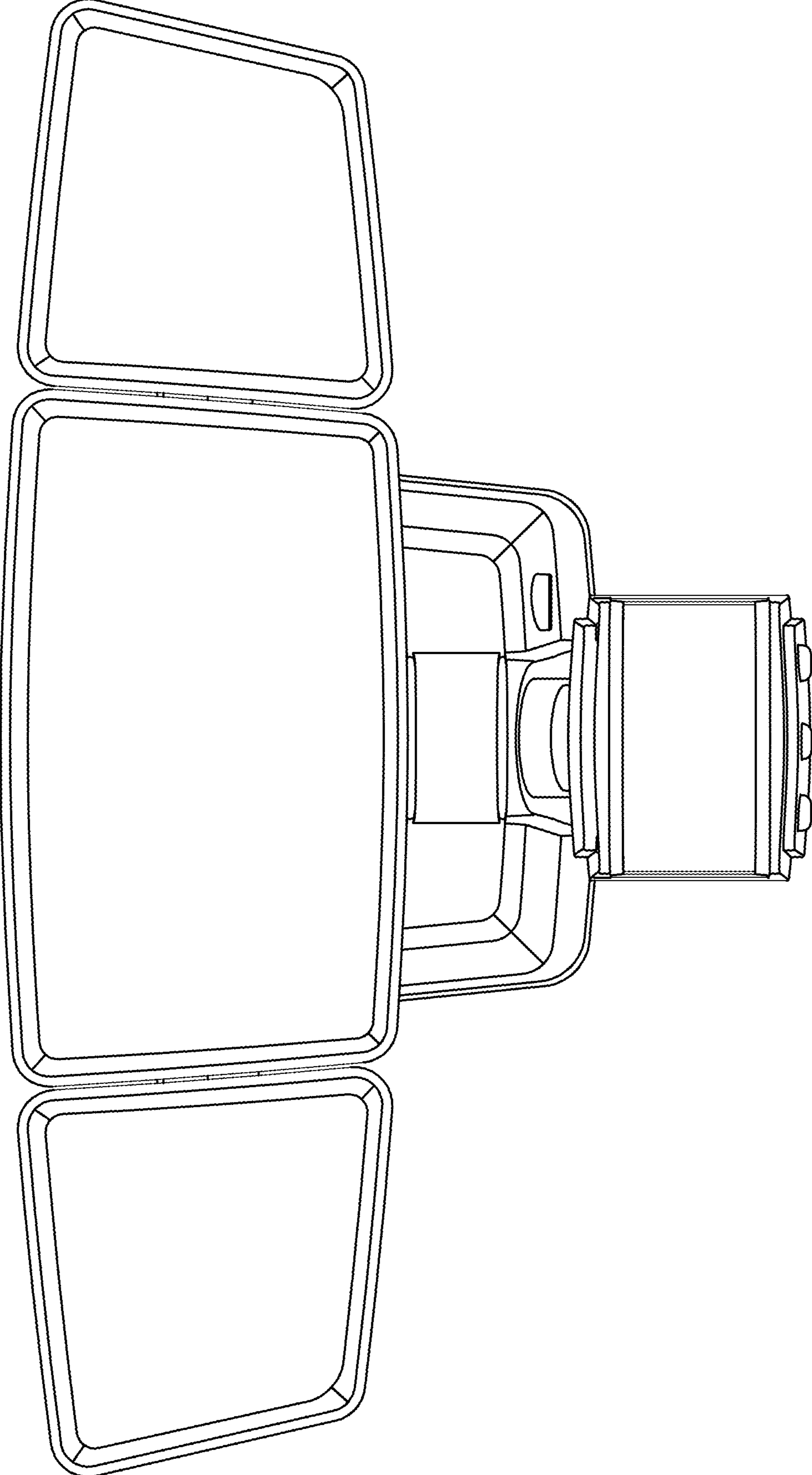


FIG.5

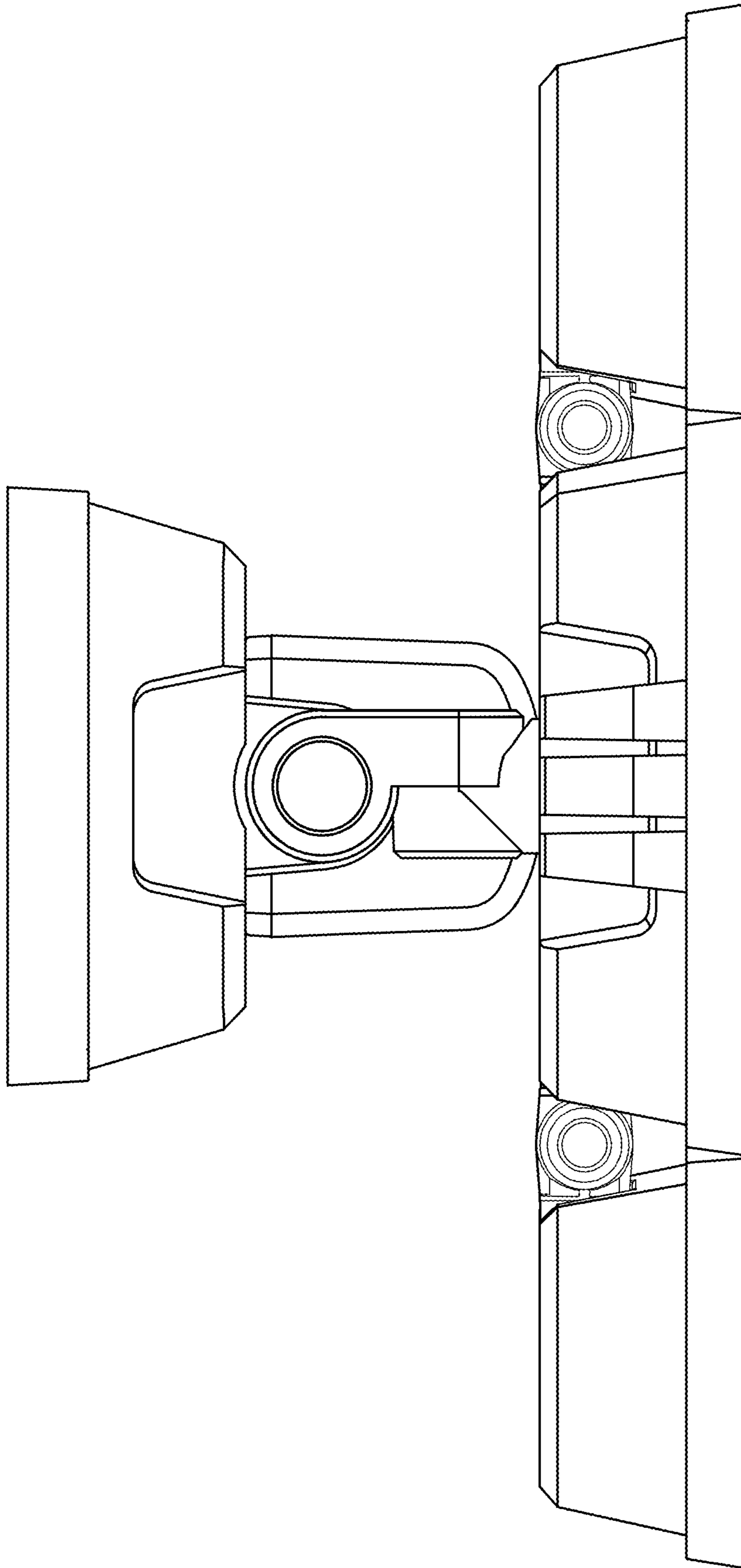


FIG.6

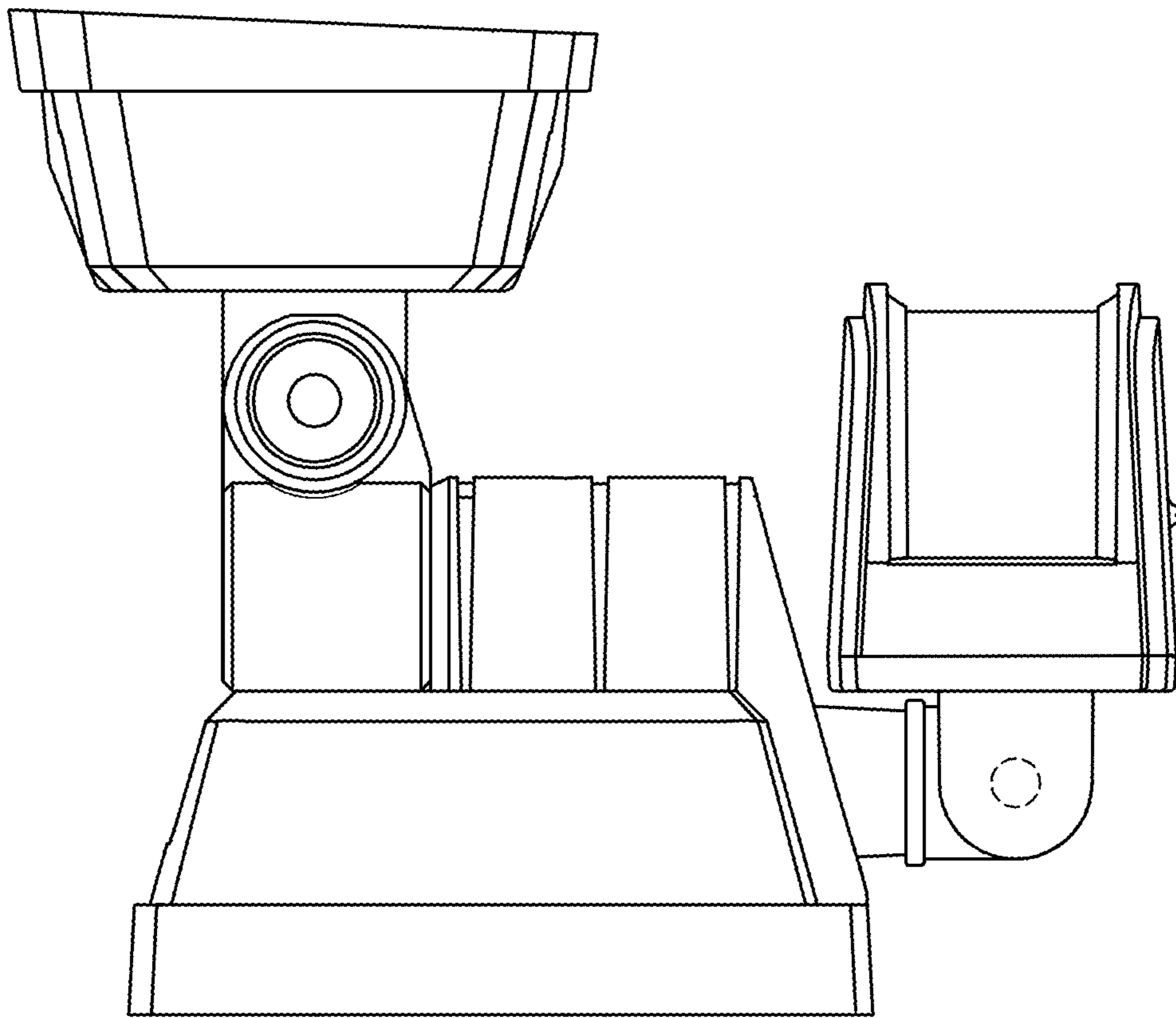


FIG. 7

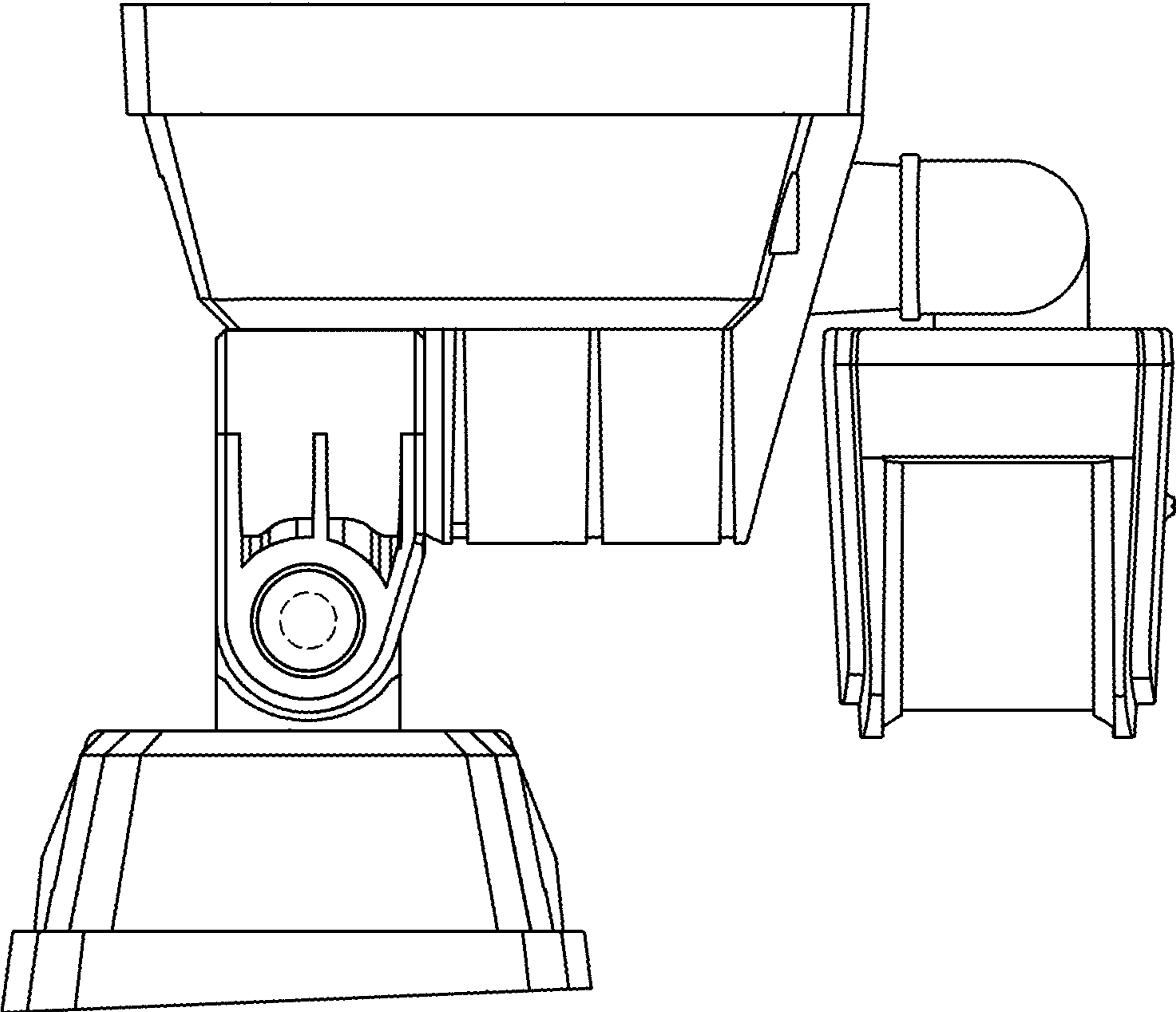


FIG. 8

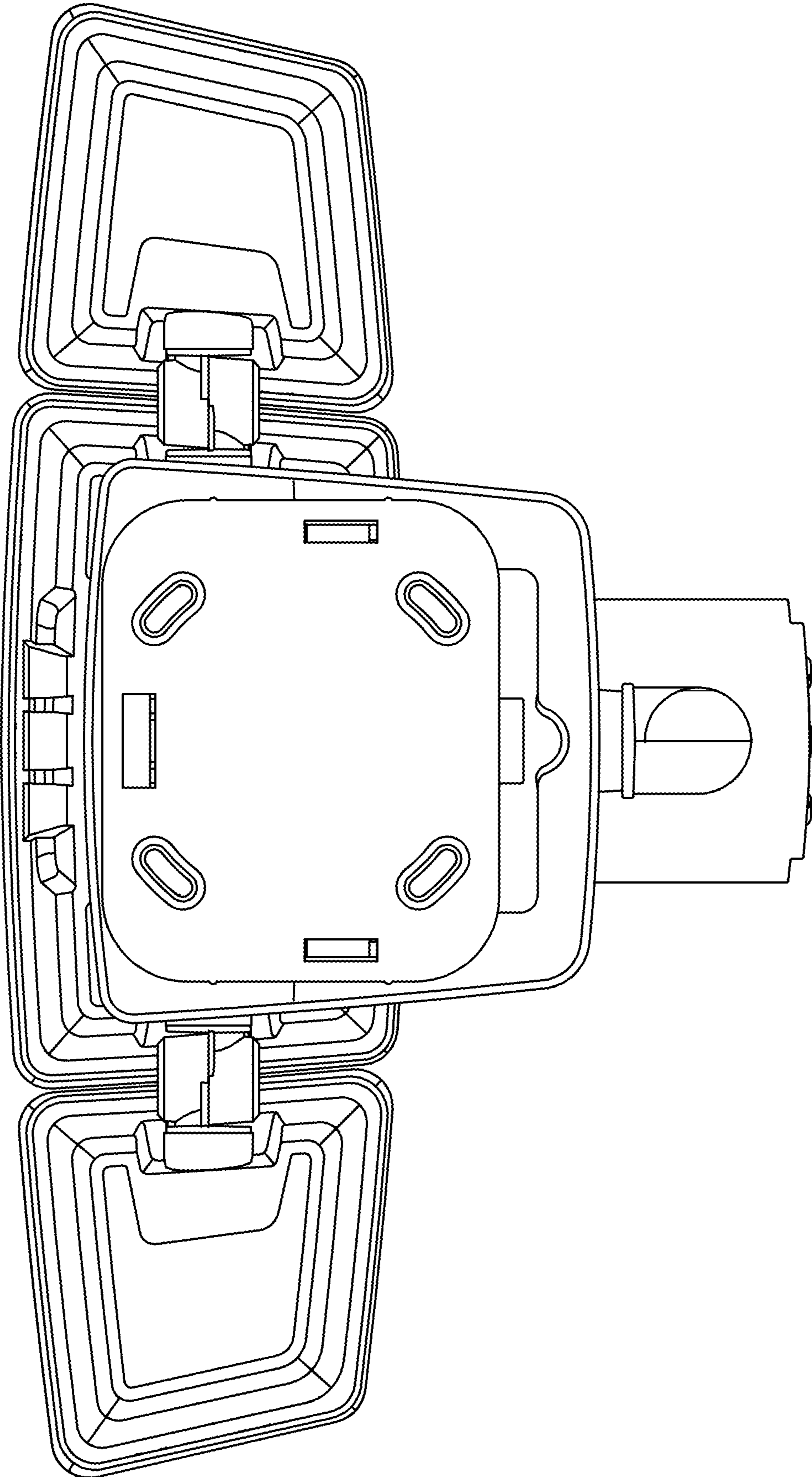


FIG. 9

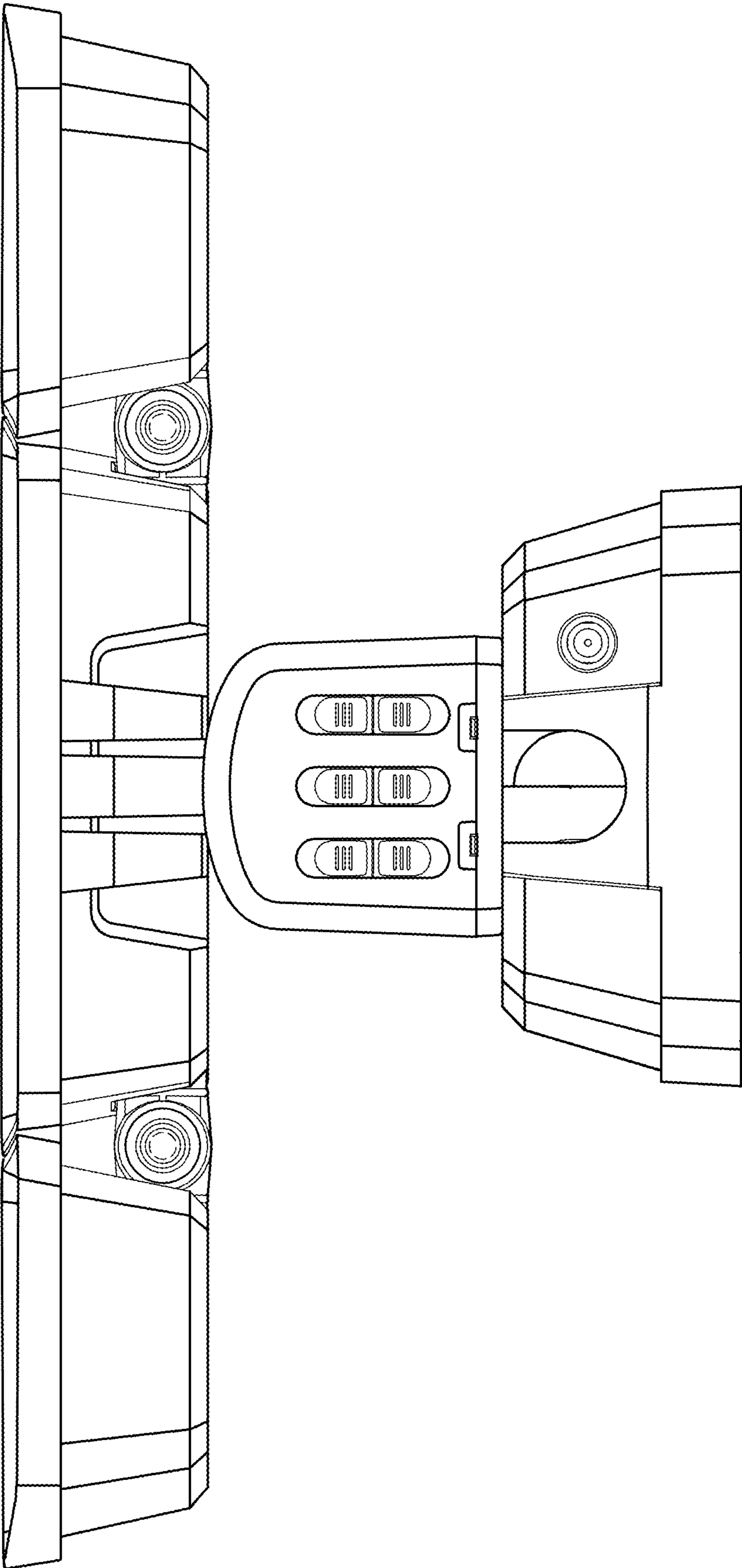


FIG.10