



US00D929007S

(12) **United States Design Patent** (10) **Patent No.:** **US D929,007 S**
Ke et al. (45) **Date of Patent:** **** Aug. 24, 2021**

(54) **RING LIGHT FOR PHONE**
(71) Applicant: **SHENZHEN NEEWER TECHNOLOGY CO. LTD**, Shenzhen (CN)
(72) Inventors: **Yan Ke**, Shenzhen (CN); **Zhaohong Zhu**, Shenzhen (CN)
(73) Assignee: **SHENZHEN NEEWER TECHNOLOGY CO. LTD**, Shenzhen (CN)
(**) Term: **15 Years**

(21) Appl. No.: **29/763,567**
(22) Filed: **Dec. 23, 2020**
(51) **LOC (13) Cl.** **26-05**
(52) **U.S. Cl.**
USPC **D26/60**
(58) **Field of Classification Search**
USPC D26/49, 60, 63, 72, 79, 85, 89, 92, 93, D26/104, 106, 111, 118, 123, 124, 138; D16/136, 237, 239, 244, 245, 250; D28/9, 15, 16, 17, 99; D14/253; D8/71, D8/72
CPC F21V 21/00; F21V 21/14; F21V 21/30; F21V 21/096; F21V 1/00; F21V 1/12; F21V 17/06; F21V 15/01; F21V 14/00; F21V 14/02; G03B 2215/0575; G03B 2215/0539; G03B 2215/0592; G03B 2215/0589; G03B 15/03; G03B 15/05; A45F 2200/0508-0533; F21K 5/00; F21K 5/02; F21S 8/003; F21S 8/043
See application file for complete search history.

(56) **References Cited**
U.S. PATENT DOCUMENTS
D250,968 S * 1/1979 Combest D26/152
D364,241 S * 11/1995 Jaynes D26/106

D580,580 S * 11/2008 Lodhie D26/67
D611,178 S * 3/2010 Waring D26/34
D617,035 S * 6/2010 Sabernig D26/89
D636,513 S * 4/2011 Furtsch D26/51
D666,764 S * 9/2012 Gilad D26/87
D712,073 S * 8/2014 Hirabayashi D26/2
D827,180 S * 8/2018 Mou D26/72
D854,227 S * 7/2019 Yu D26/106
D855,242 S * 7/2019 Chen D26/106
D860,485 S * 9/2019 Yu D26/24
D872,348 S * 1/2020 Liu D26/106
D873,328 S 1/2020 Shen
D877,392 S 3/2020 Yu
D879,358 S 3/2020 Du
D880,045 S 3/2020 Clarkson et al.
D880,048 S 3/2020 Zhu
D882,843 S 4/2020 Kaiser
D886,360 S 6/2020 Xu

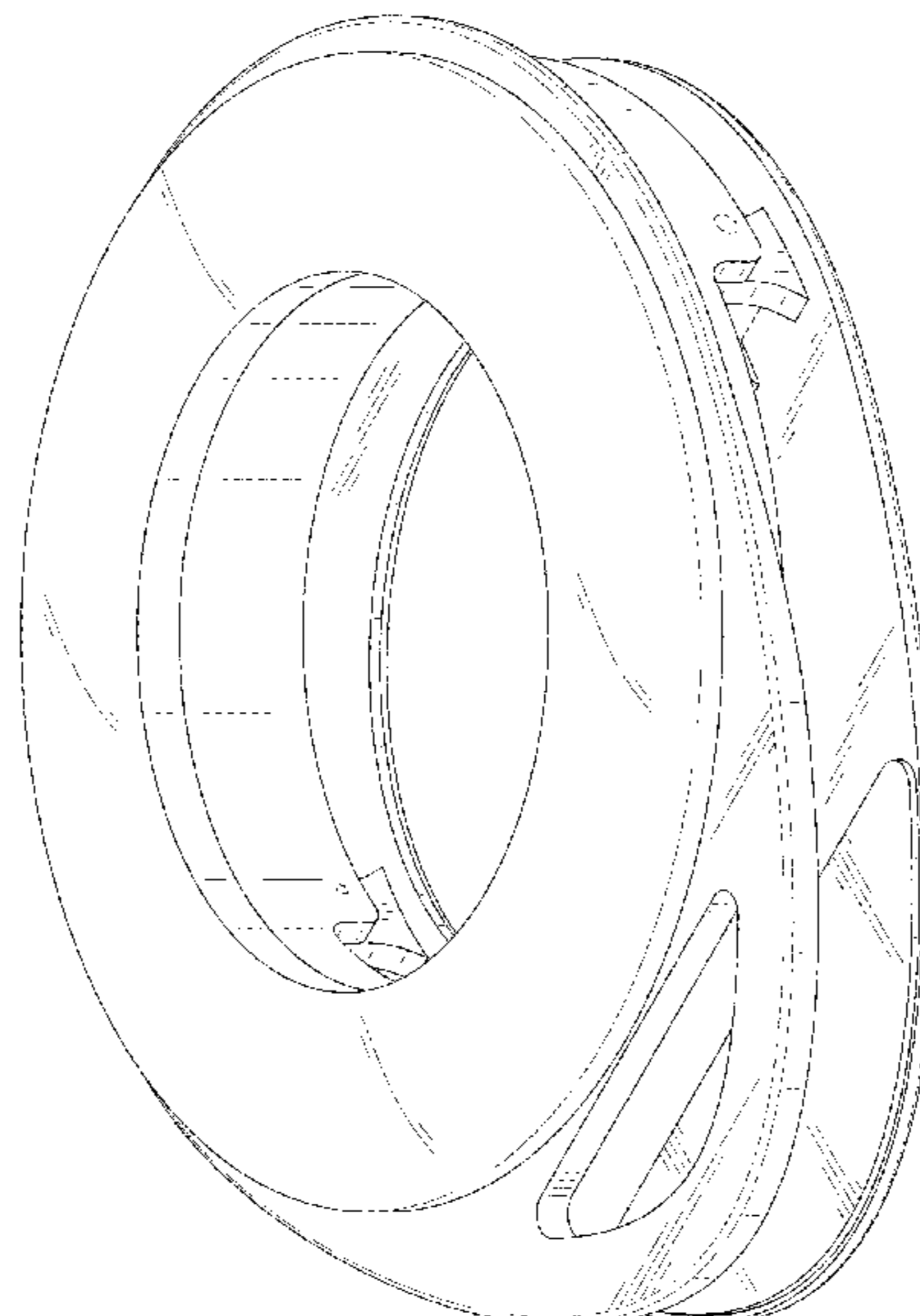
(Continued)

Primary Examiner — Wan Laymon
Assistant Examiner — Clint A Samuel
(74) *Attorney, Agent, or Firm* — Westbridge IP LLC

(57) **CLAIM**
The ornamental design for a ring light for phone, as shown and described.

DESCRIPTION
FIG. 1 is a front perspective view of a ring light for phone showing our new design;
FIG. 2 is a rear perspective view thereof;
FIG. 3 is a front elevational view thereof;
FIG. 4 is a rear elevational view thereof;
FIG. 5 is a left side elevational view thereof;
FIG. 6 is a right side elevational view thereof;
FIG. 7 is a top plan view thereof; and,
FIG. 8 is a bottom plan view thereof.
The broken lines in the drawings illustrate the portions of the ring light for phone which form no part of the claimed design.

1 Claim, 8 Drawing Sheets



(56)

References Cited

U.S. PATENT DOCUMENTS

D887,590	S	6/2020	Ke	
D895,877	S *	9/2020	Kaiser	D26/72
D903,185	S	11/2020	Li	
D907,836	S *	1/2021	Zhou	D26/106
D909,649	S *	2/2021	Chu	D26/63
D910,220	S *	2/2021	Wang	D26/63
D910,221	S *	2/2021	Wang	D26/63
D924,454	S *	7/2021	Xiong	D26/51
2016/0069548	A1 *	3/2016	Wessel	F21S 9/02 362/183
2017/0118385	A1 *	4/2017	Vargas	G03B 17/561
2019/0003699	A1 *	1/2019	Mondora	F21V 33/004
2020/0281054	A1 *	9/2020	Li	H05B 45/10
2021/0180783	A1 *	6/2021	Frydenger	F21V 23/003

* cited by examiner

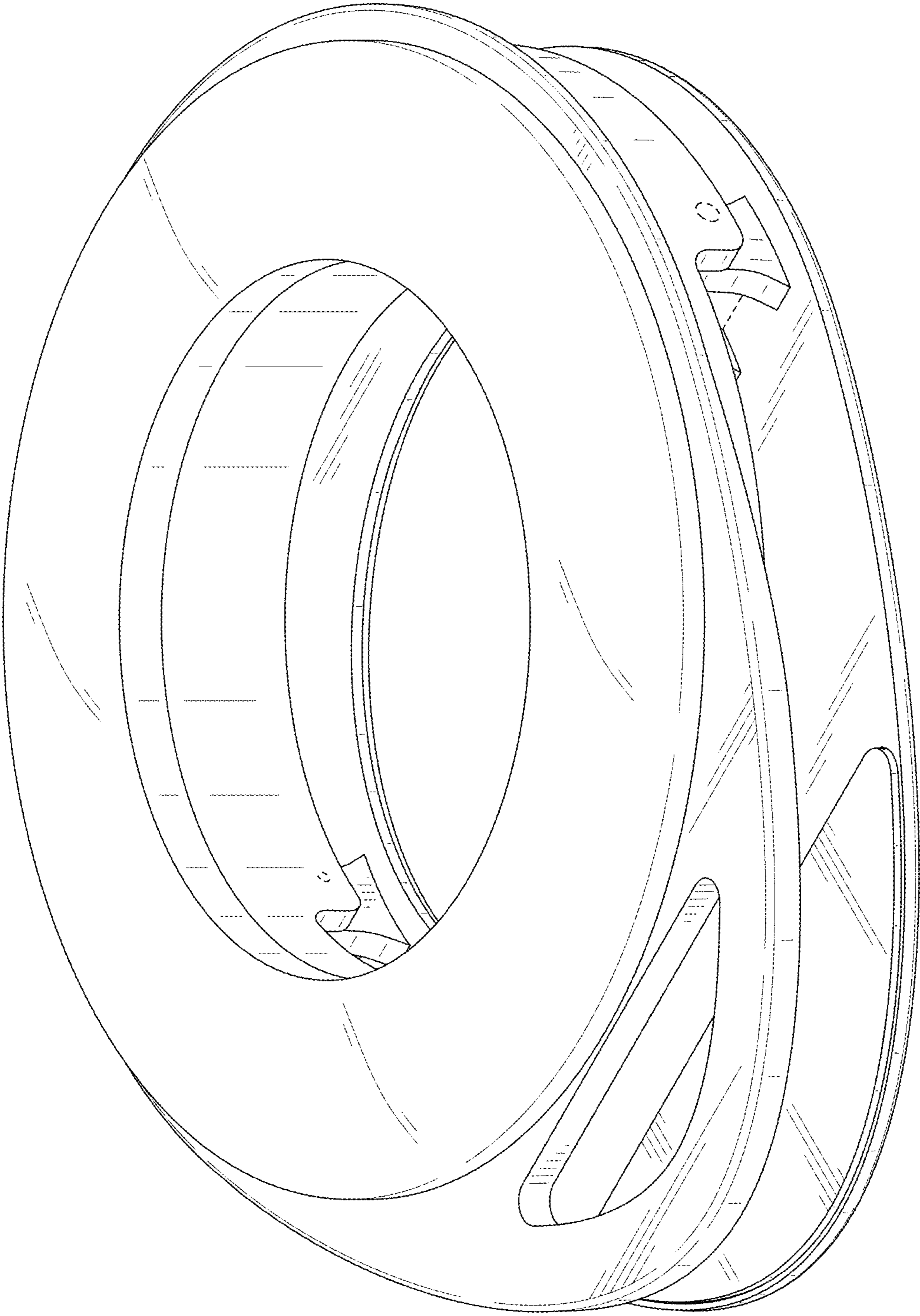


FIG. 1

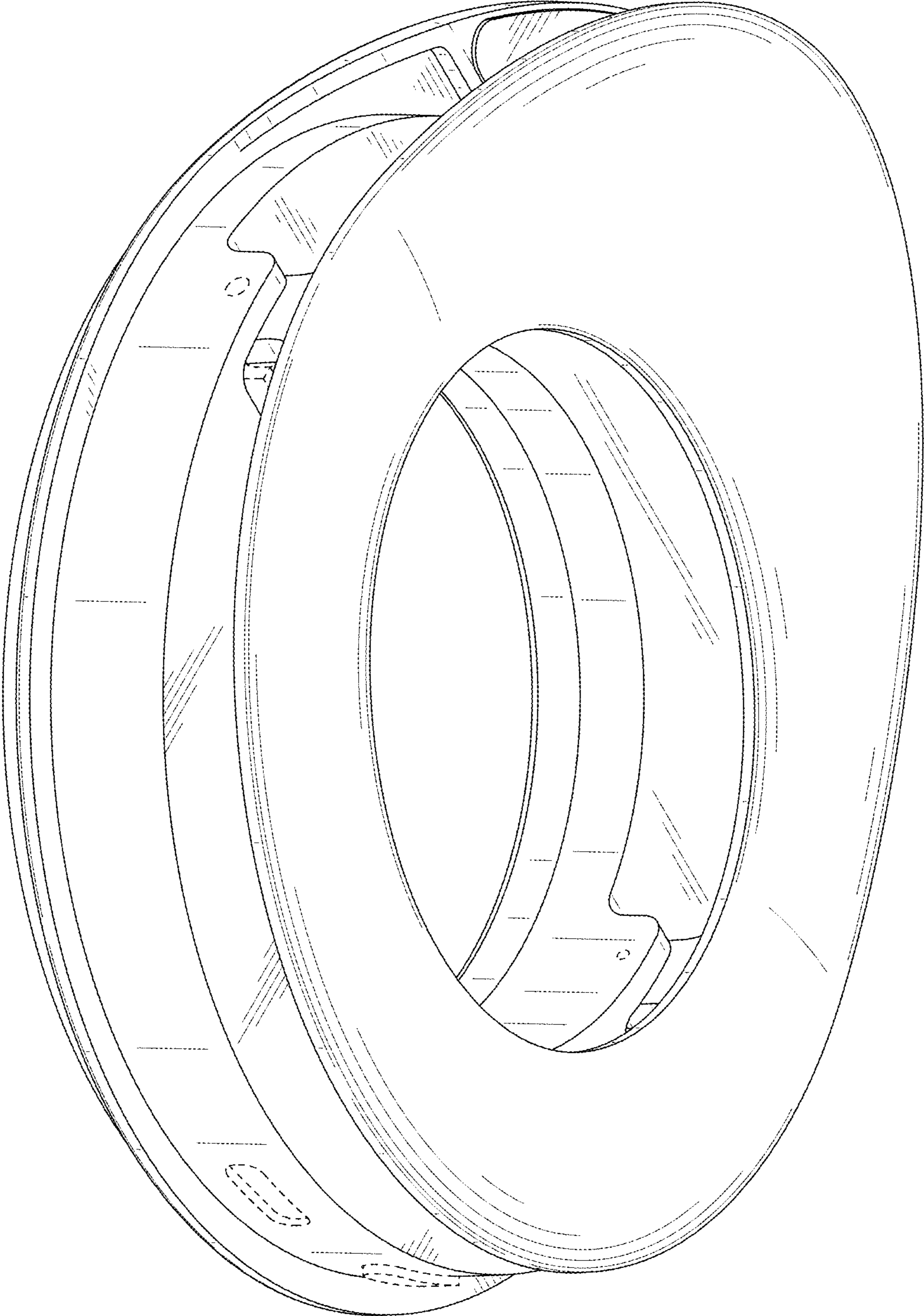


FIG. 2

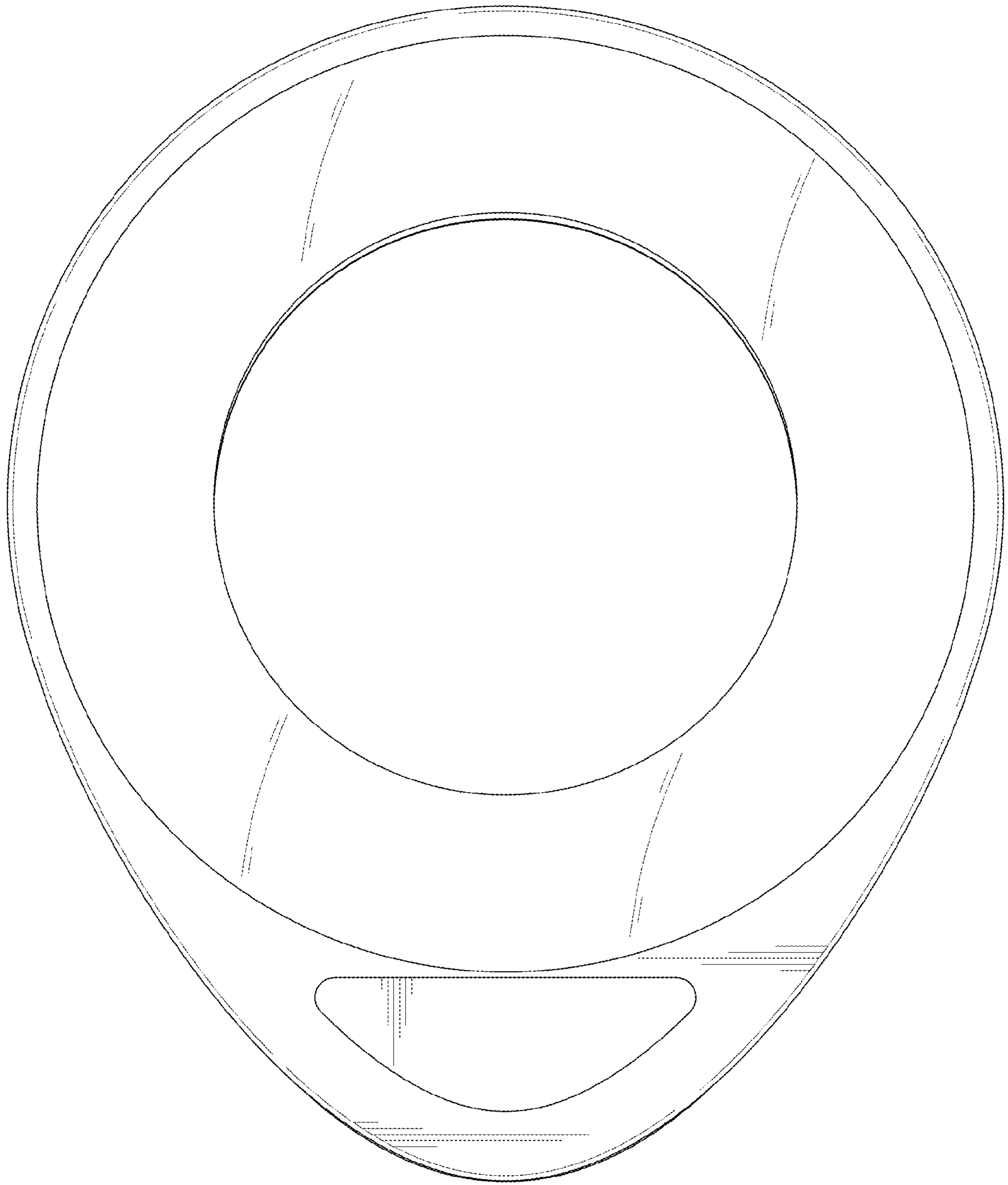


FIG. 3

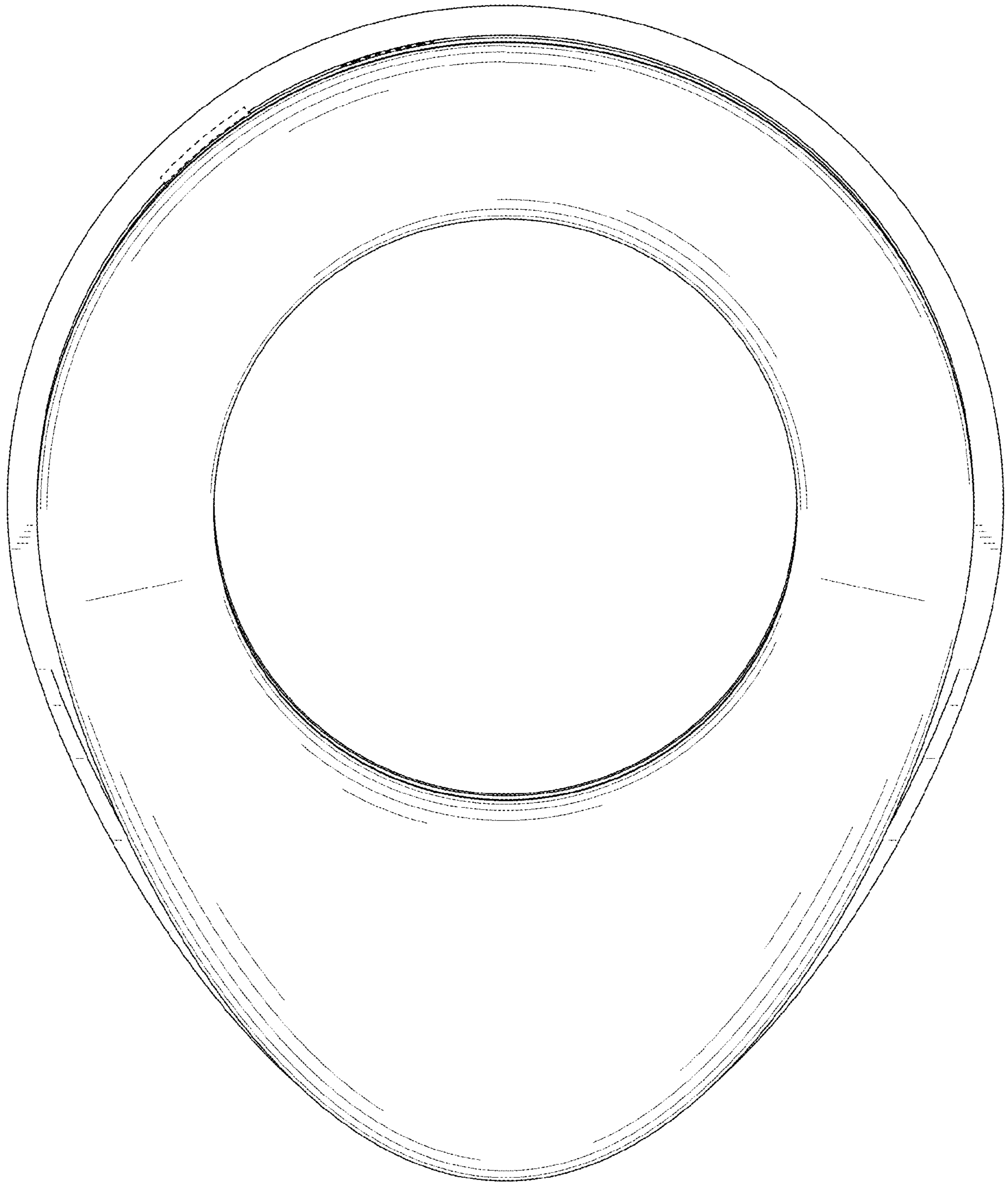


FIG. 4

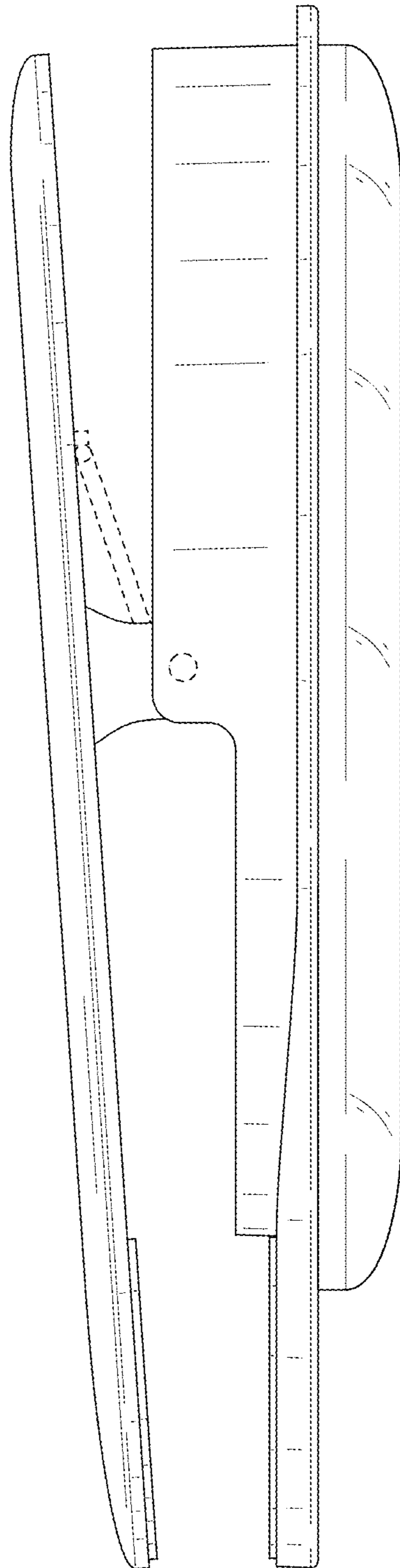


FIG. 5

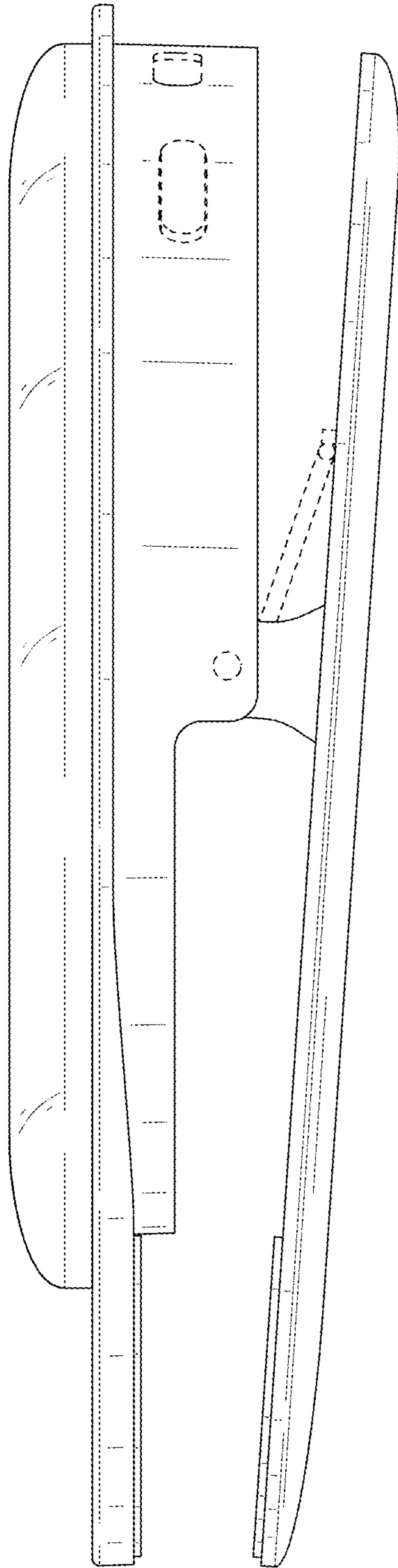


FIG. 6

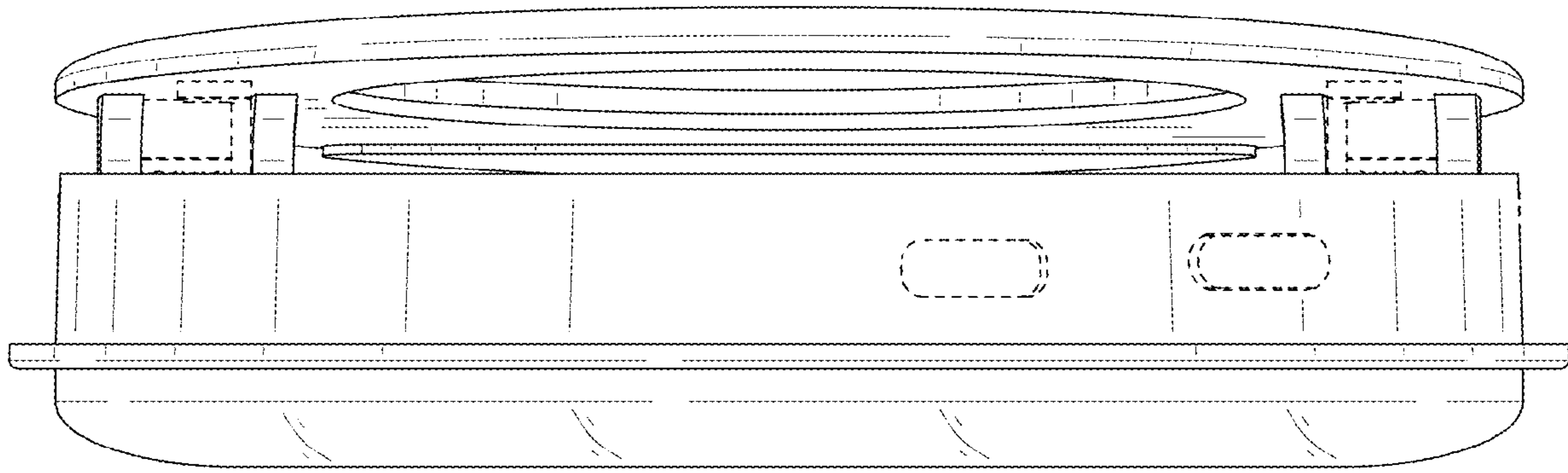


FIG. 7

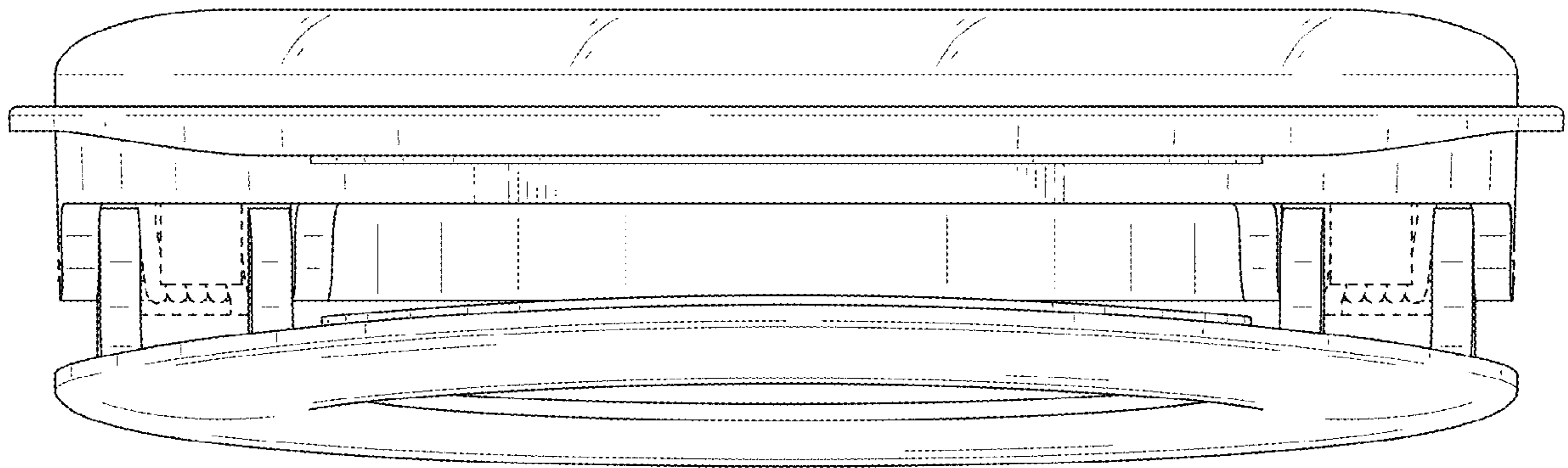


FIG. 8