



US00D929006S

(12) **United States Design Patent** (10) **Patent No.:** **US D929,006 S**  
**Yan** (45) **Date of Patent:** **\*\* Aug. 24, 2021**

(54) **LAMP FOR HEAD**

FOREIGN PATENT DOCUMENTS

(71) Applicant: **Jialin Yan**, Ankang (CN)

CN 304033976 \* 2/2017

(72) Inventor: **Jialin Yan**, Ankang (CN)

CN 304843294 \* 10/2018

CN 305282120 \* 7/2019

CN 305454761 \* 11/2019

(73) Assignee: **Ningbo Explore Beauty Lighting Technology Co., Ltd.**, Ningbo (CN)

OTHER PUBLICATIONS

(\*\*) Term: **15 Years**

“Black Diamond Icon Polar,” Nov. 26, 2012, trailspace.com, site visited Jan. 21, 2021, URL: <https://www.trailspace.com/gear/black-diamond/icon-polar/> (Year: 2012).\*

(21) Appl. No.: **29/693,729**

“Nitecore NU32 550 Lumen LED,” May 3, 2018, amazon.com, site visited Jan. 21, 2021, URL: [https://www.amazon.com/Nitecore-NU32-Lumen-Rechargeable-Headlamp/dp/B07K1XQ8M2/ref=sr\\_1\\_128?crd=R53NFXSIRA49&dchild=1&keywords=black+diamond+headlamp&qid=1611069367&sprefix=black+diamond%2018](https://www.amazon.com/Nitecore-NU32-Lumen-Rechargeable-Headlamp/dp/B07K1XQ8M2/ref=sr_1_128?crd=R53NFXSIRA49&dchild=1&keywords=black+diamond+headlamp&qid=1611069367&sprefix=black+diamond%2018) (Year: 2018).\*

(22) Filed: **Jun. 5, 2019**

(51) **LOC (13) Cl.** ..... **26-02**

(52) **U.S. Cl.**

USPC ..... **D26/39**

(58) **Field of Classification Search**

USPC ..... D26/37–51, 60, 61, 85, 102, 110, 113, D26/138–140; 362/157, 158, 171–174, 362/183–208

CPC ..... F21L 2003/00; F21L 4/00; F21L 4/005; F21L 4/02; F21L 4/025; F21L 4/027; F21L 4/05; F21L 4/08; F21L 2005/00; F21L 7/00; F21L 11/00; F21L 13/00; F21L 13/04; F21L 13/08; F21L 14/02; F21L 17/00; F21L 19/00; F21L 25/00; F21L 4/04; F21V 21/084; H05B 47/10

See application file for complete search history.

“EverBrite Headlamp,” Dec. 3, 2018, amazon.com, site visited Jan. 19, 2021, URL: [https://www.amazon.com/EverBrite-Headlamp-Headlight-Adjustable-Batteries/dp/B07L3LMJCM/ref=sr\\_1\\_188?crd=R53NFXSIRA49&dchild=1&keywords=black+diamond+headlamp&qid=1611070274&sprefix=black+diamond%20Caps%20189&sr=8-1](https://www.amazon.com/EverBrite-Headlamp-Headlight-Adjustable-Batteries/dp/B07L3LMJCM/ref=sr_1_188?crd=R53NFXSIRA49&dchild=1&keywords=black+diamond+headlamp&qid=1611070274&sprefix=black+diamond%20Caps%20189&sr=8-1) (Year: 2018).\*

\* cited by examiner

*Primary Examiner* — Eric L Goodman

*Assistant Examiner* — Sarah L Smith

(57) **CLAIM**

The ornamental design for a lamp for head, as shown and described.

(56) **References Cited**

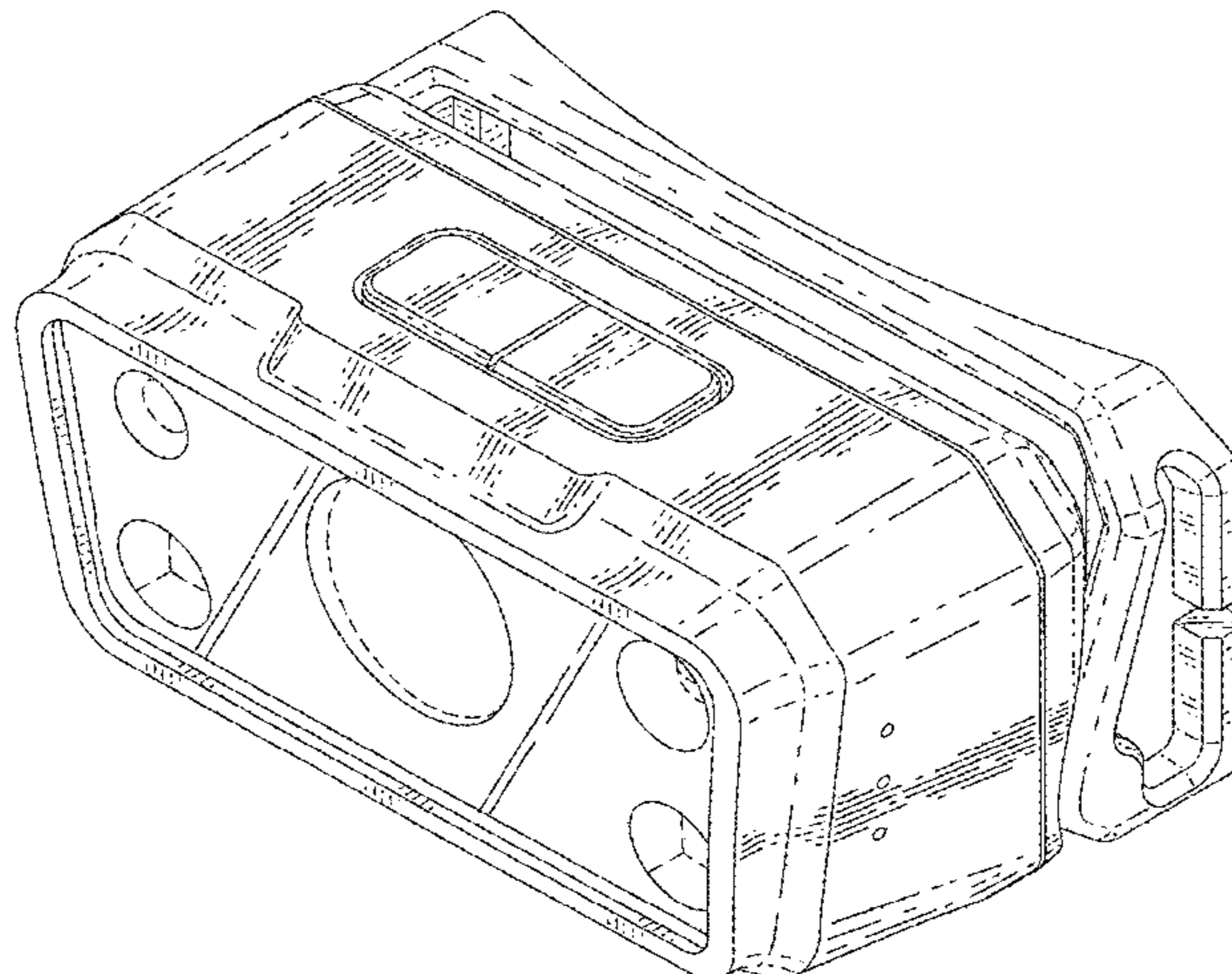
**DESCRIPTION**

U.S. PATENT DOCUMENTS

D326,924 S *	6/1992	Carroll	.....	D26/35
D566,310 S *	4/2008	Alessio	.....	D26/39
D624,221 S *	9/2010	DeBrunner	.....	D26/39
D742,050 S *	10/2015	Inskeep	.....	D26/39
D812,793 S *	3/2018	Huang	.....	D26/39
D851,307 S *	6/2019	Sharrah	.....	D26/39
D857,958 S *	8/2019	Willows	.....	D26/38
D876,695 S *	2/2020	Hine	.....	D26/39
D882,136 S *	4/2020	Huang	.....	D26/39

FIG. 1 is a perspective view of a lamp for head showing my new design;  
FIG. 2 is a front elevation view thereof;  
FIG. 3 is a rear elevation view thereof;  
FIG. 4 is a left side elevation view thereof;  
FIG. 5 is a right side elevation view thereof;  
FIG. 6 is a top plan view thereof; and,  
FIG. 7 is a bottom plan view thereof.

(Continued)



The broken lines in the drawings illustrate portions of the lamp for head that form no part of the claimed design.

**1 Claim, 7 Drawing Sheets**

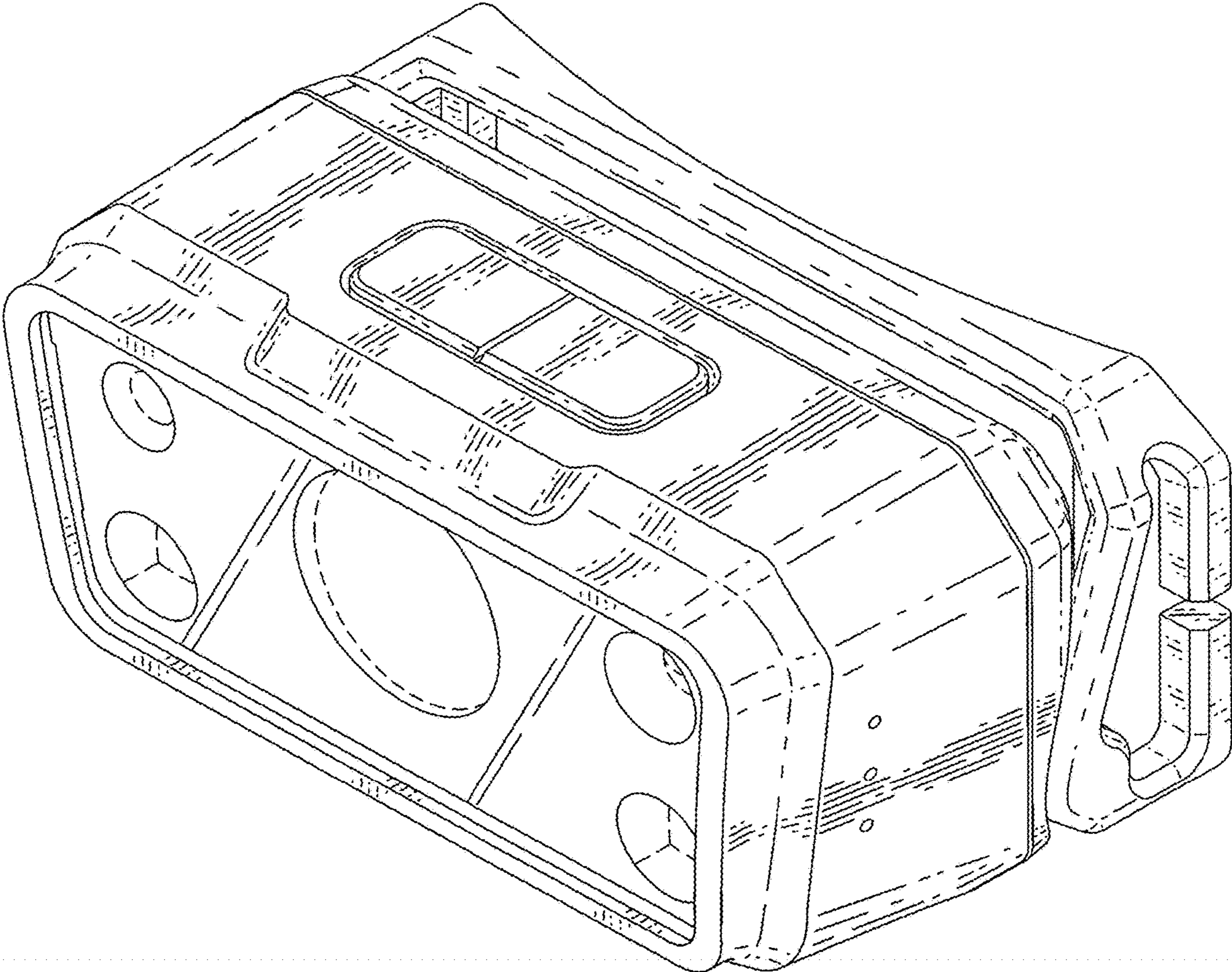


FIG. 1

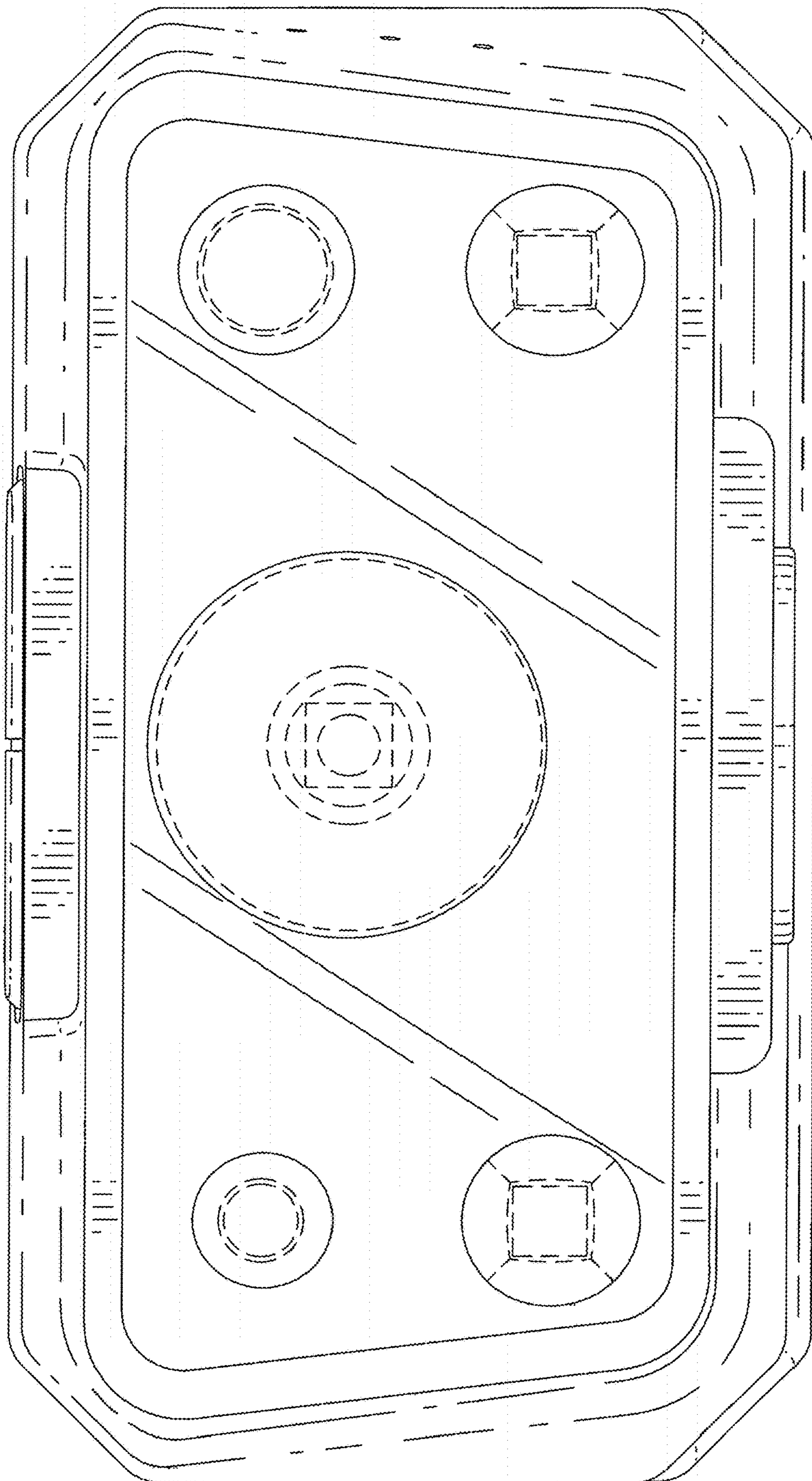


FIG. 2

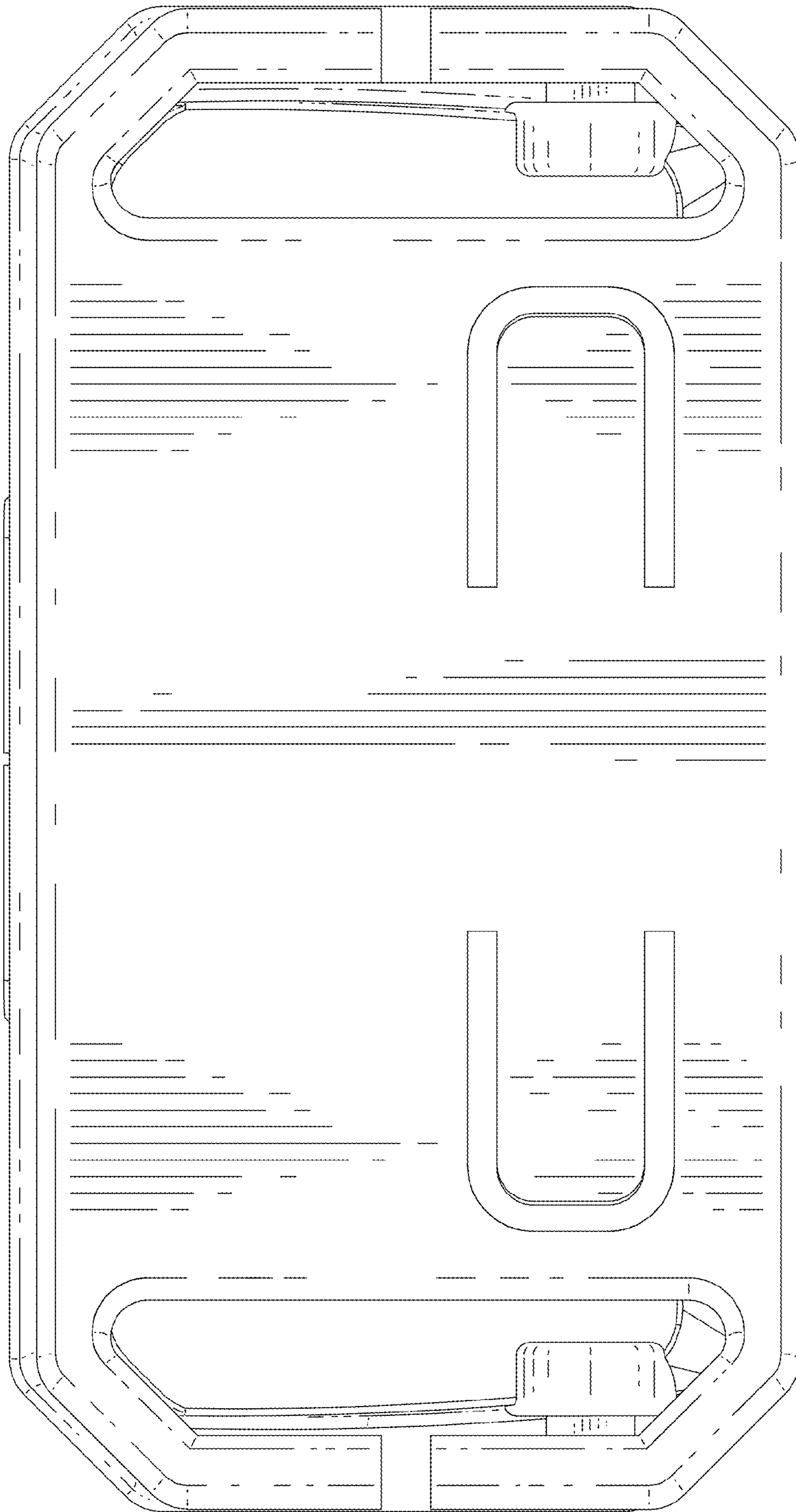


FIG. 3

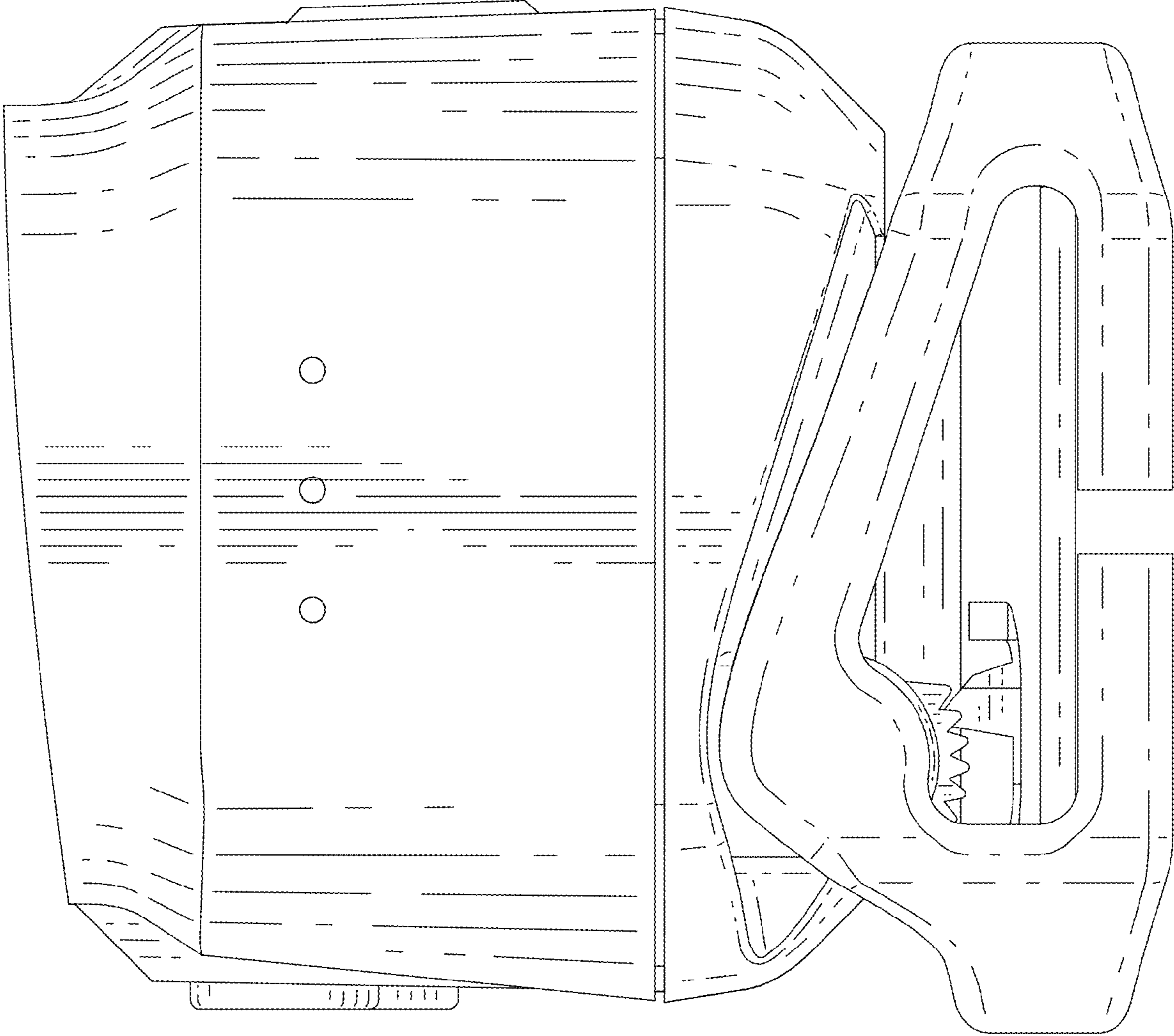


FIG. 4

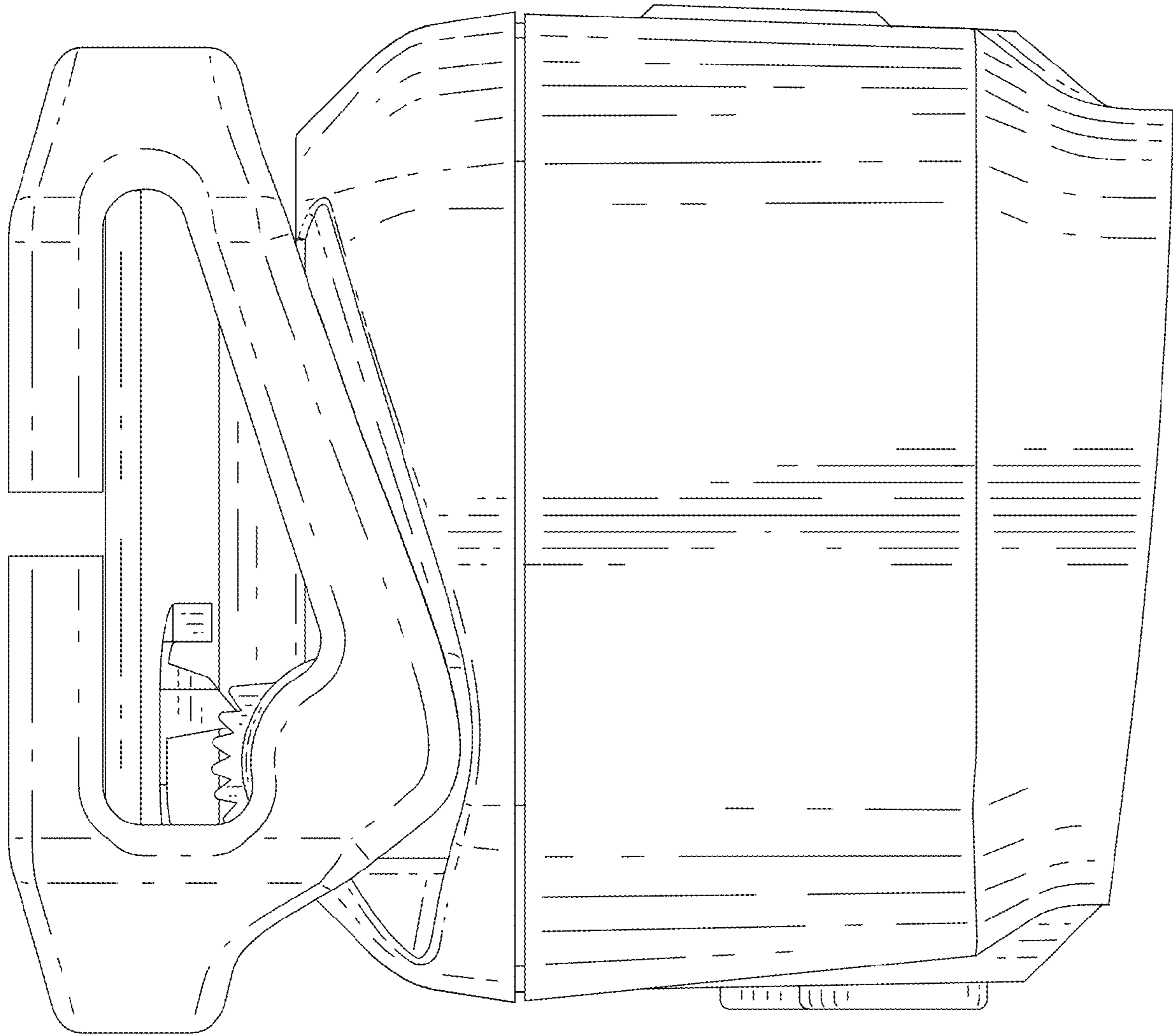


FIG. 5

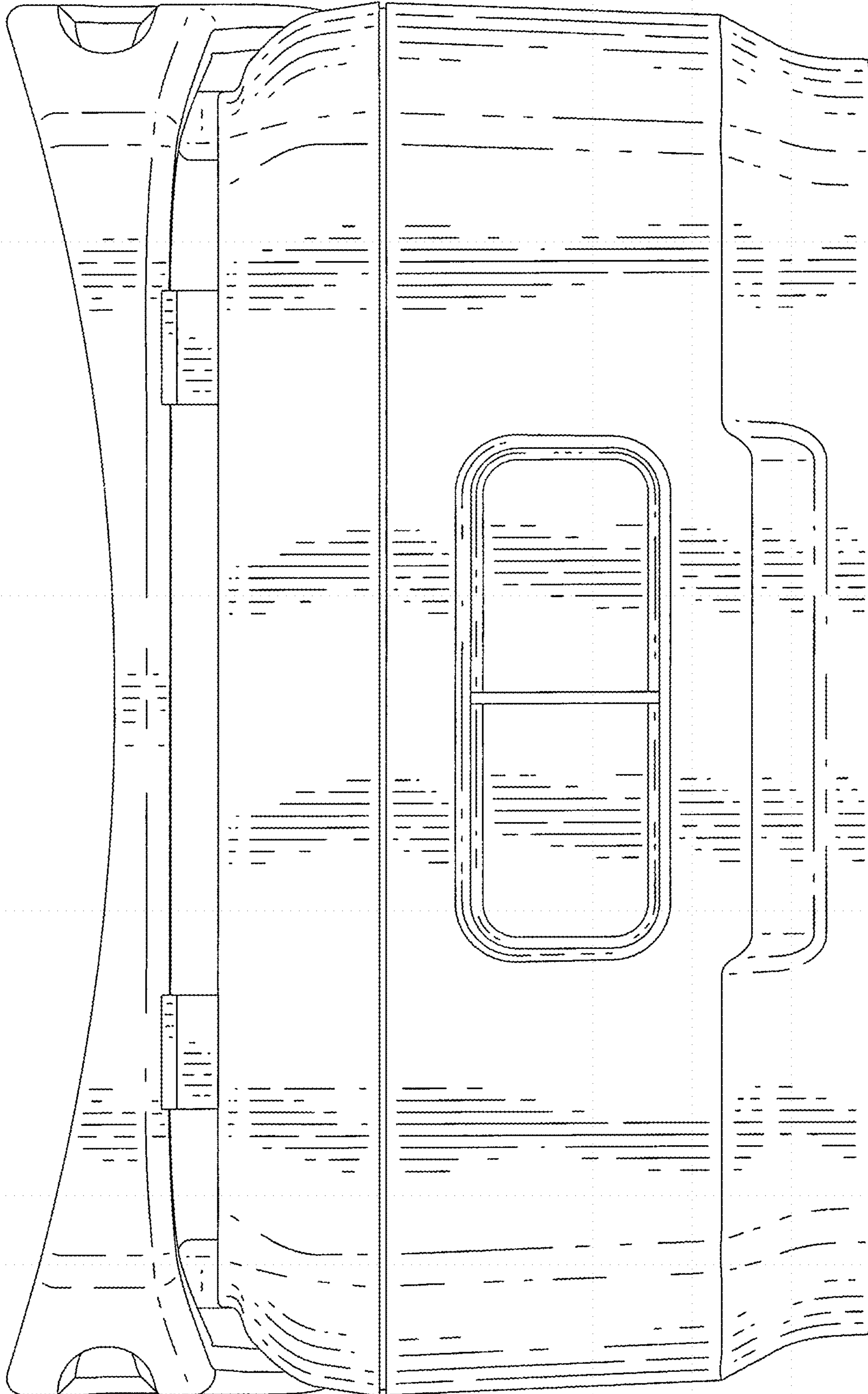


FIG. 6



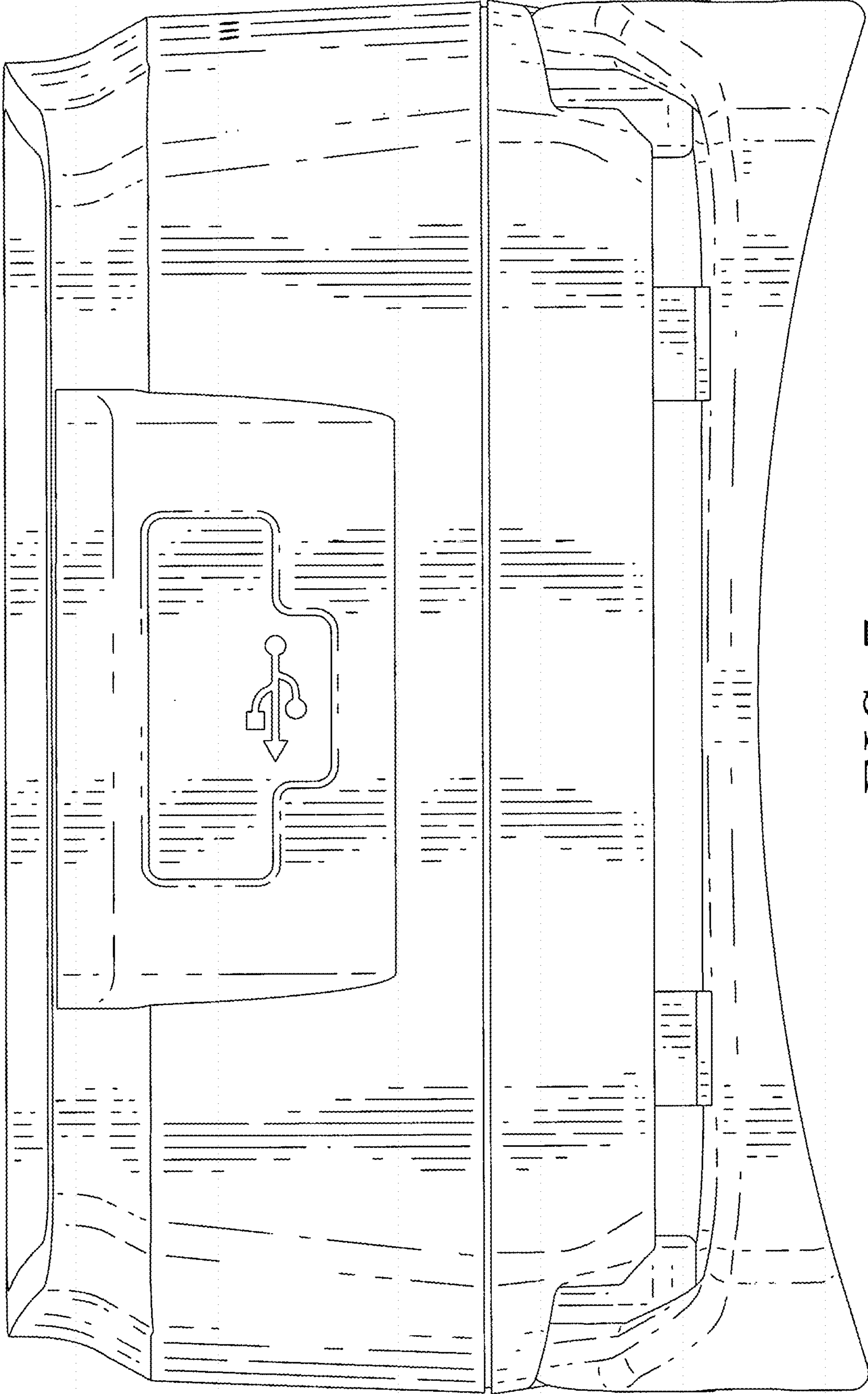


FIG. 7