



US00D929004S

(12) **United States Design Patent**
Qiu

(10) **Patent No.:** **US D929,004 S**

(45) **Date of Patent:** **** Aug. 24, 2021**

(54) **WORK LIGHT**

(71) Applicant: **NINGBO HONGFU ALUMINIUM & PLASTIC ELECTRIC APPLIANCE CO., LTD.,** Ningbo (CN)

(72) Inventor: **Enyuan Qiu,** Ningbo (CN)

(73) Assignee: **NINGBO HONGFU ALUMINIUM & PLASTIC ELECTRIC APPLIANCE CO., LTD.,** Ningbo (CN)

(**) Term: **15 Years**

(21) Appl. No.: **29/666,044**

(22) Filed: **Oct. 9, 2018**

(30) **Foreign Application Priority Data**

May 2, 2018 (CN) 201830191555.8

(51) **LOC (13) Cl.** **26-02**

(52) **U.S. Cl.**
USPC **D26/37**

(58) **Field of Classification Search**
USPC D26/37-51
CPC F21L 2003/00; F21L 4/00; F21L 4/005;
F21L 4/02; F21L 4/025; F21L 4/027;
F21L 4/04; F21L 4/08; F21L 2005/00;
F21L 7/00; F21L 11/00; F21L 13/00;
F21L 13/04; F21L 13/08; F21L 14/02;
F21L 17/00; F21L 19/00; F21L 25/00
See application file for complete search history.

(56) **References Cited**

U.S. PATENT DOCUMENTS

D593,236 S * 5/2009 Ng D26/37
D702,863 S * 4/2014 Kotsis D26/37
D703,354 S * 4/2014 Kotsis D26/37
D703,355 S * 4/2014 Kotsis D26/37
D703,356 S * 4/2014 Grandadam D26/44

D805,667 S * 12/2017 Green D26/39
D828,938 S * 9/2018 Hou D26/38
D830,601 S * 10/2018 Petzl D26/39
D835,315 S * 12/2018 Zhu D26/44
D838,395 S * 1/2019 Nguyen D26/46
D840,072 S * 2/2019 Yuan D26/37
D848,042 S * 5/2019 Feng D26/39
D849,975 S * 5/2019 Huang D26/37
D857,958 S * 8/2019 Willows D26/38

* cited by examiner

Primary Examiner — Michelle E. Wilson

(74) *Attorney, Agent, or Firm* — AEON Law, PLLC;
Adam L. K. Philipp; Shan Liao

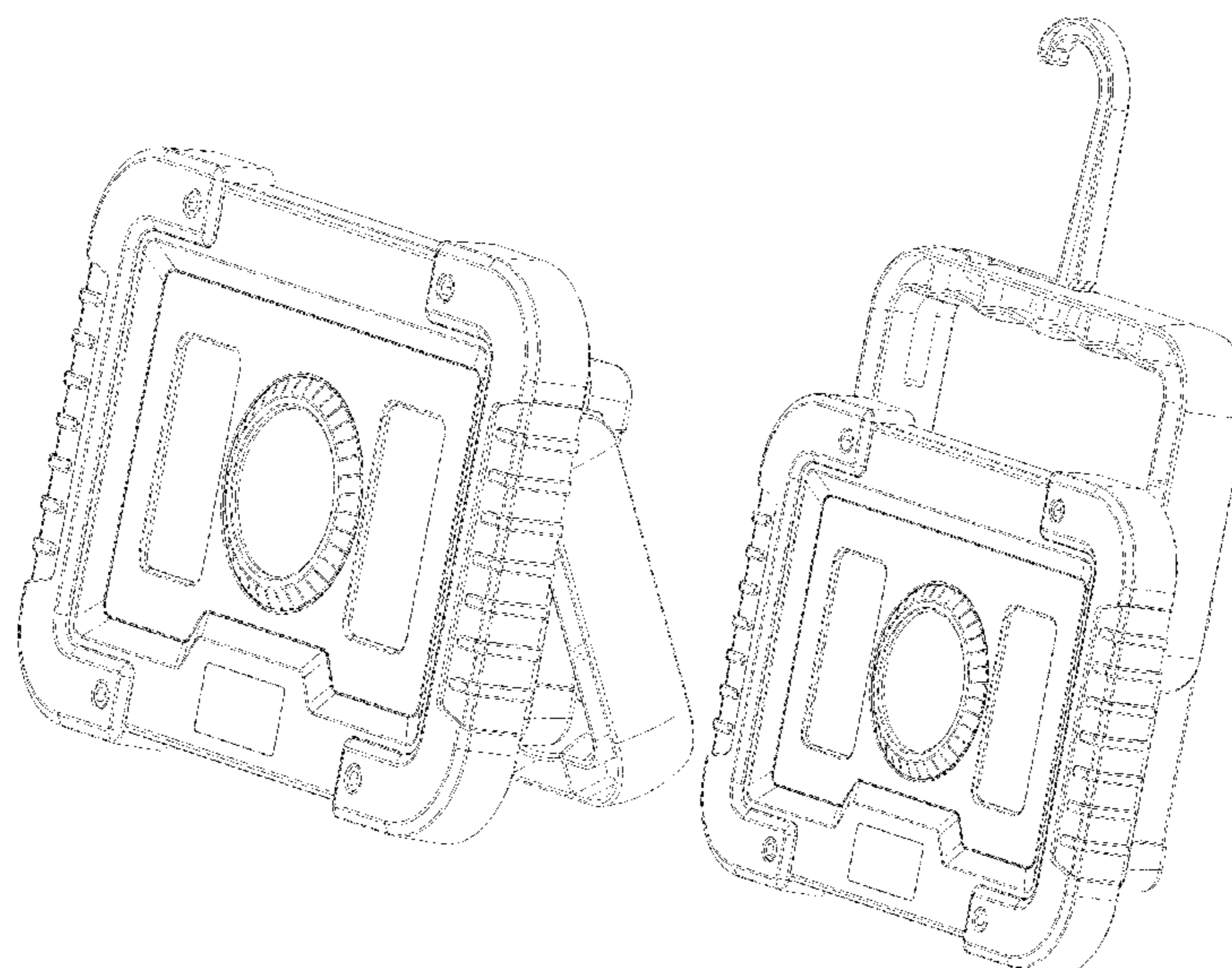
(57) **CLAIM**

The ornamental design for a work light, as shown and described.

DESCRIPTION

FIG. 1 is a front view of a work light showing my new design;
FIG. 2 is a rear view thereof;
FIG. 3 is a left side view thereof;
FIG. 4 is a right side view thereof;
FIG. 5 is a top view thereof;
FIG. 6 is a bottom view thereof;
FIG. 7 is a front perspective view thereof;
FIG. 8 is a rear perspective view thereof;
FIG. 9 is a front perspective view thereof, in use;
FIG. 10 is a front perspective view of the work light shown in a second alternate position;
FIG. 11 is a rear perspective view of the work light shown in a second alternate position;
FIG. 12 is a front perspective view of the work light shown in a third alternate position; and,
FIG. 13 is a rear perspective view of the work light shown in a third alternate position.
The broken lines in the drawings illustrate portions of the work light that form no part of the claimed design.

1 Claim, 13 Drawing Sheets



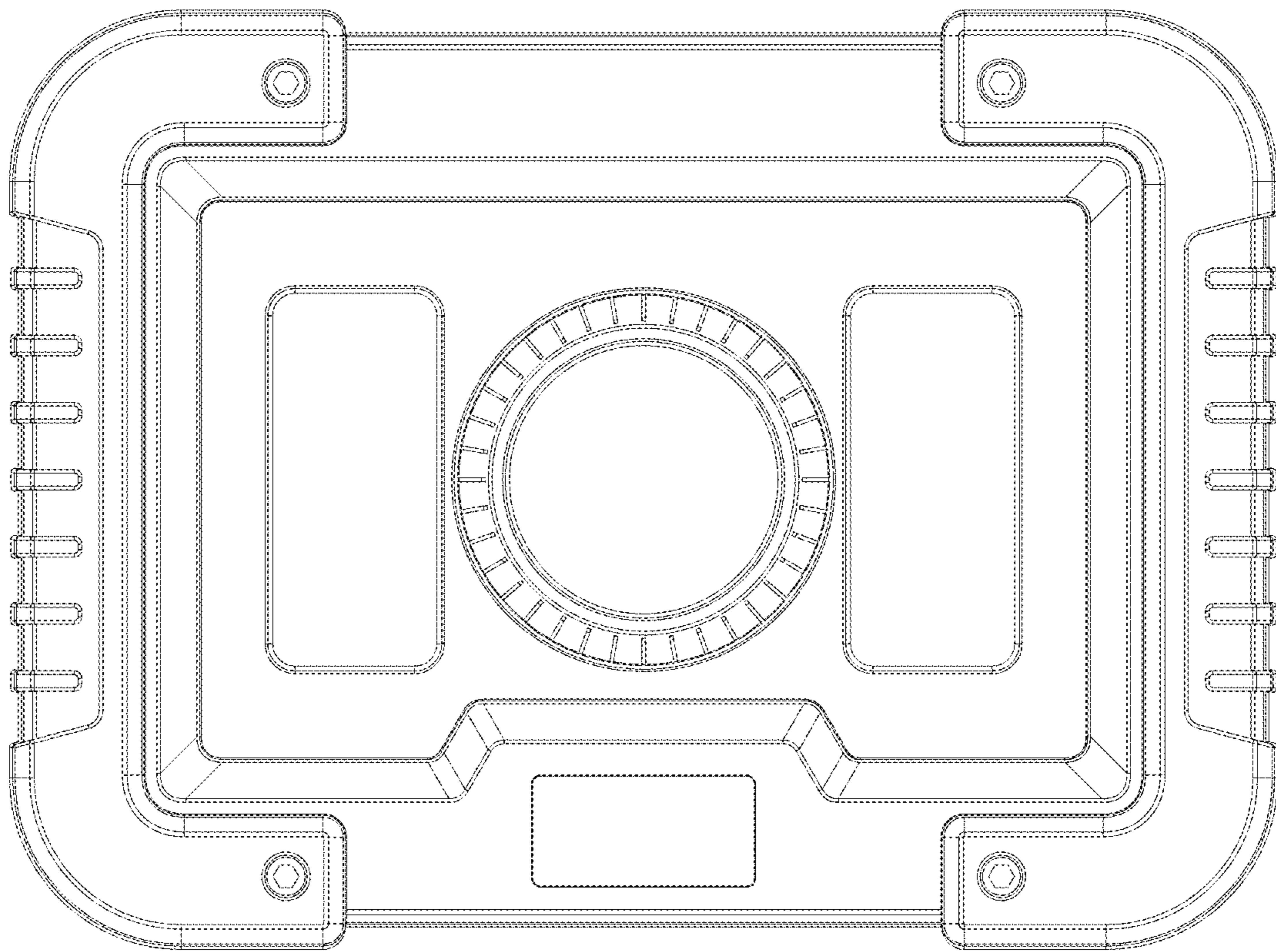


FIG. 1

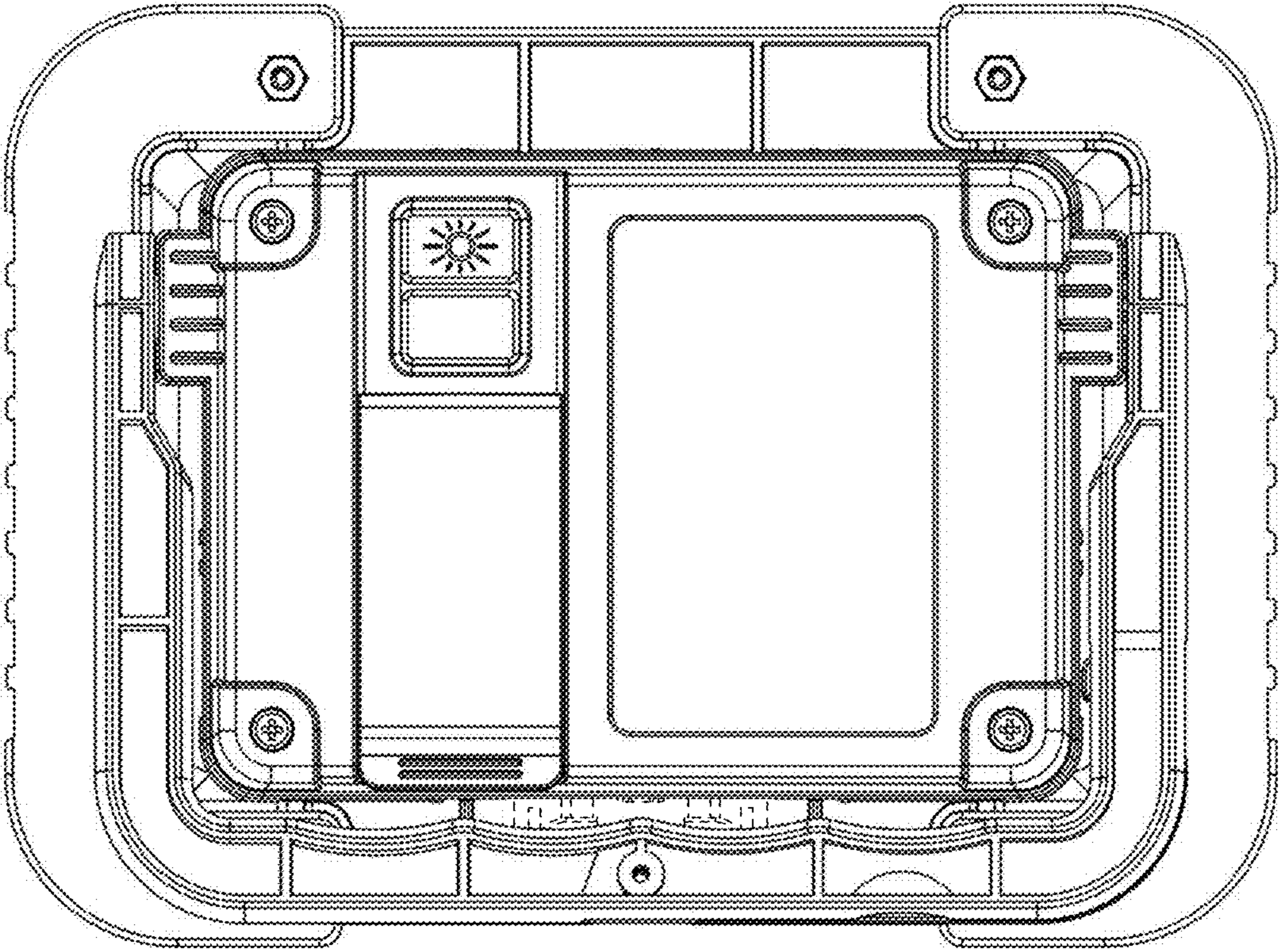


FIG. 2

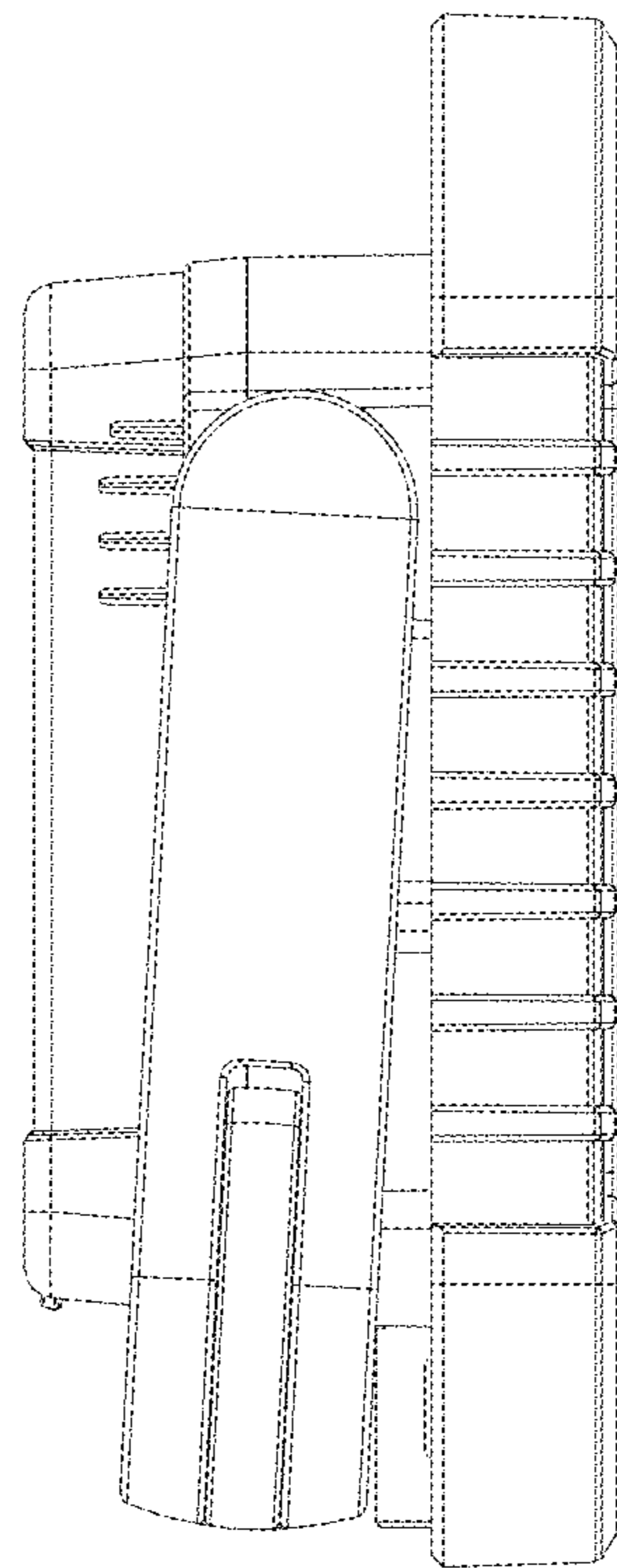


FIG. 3

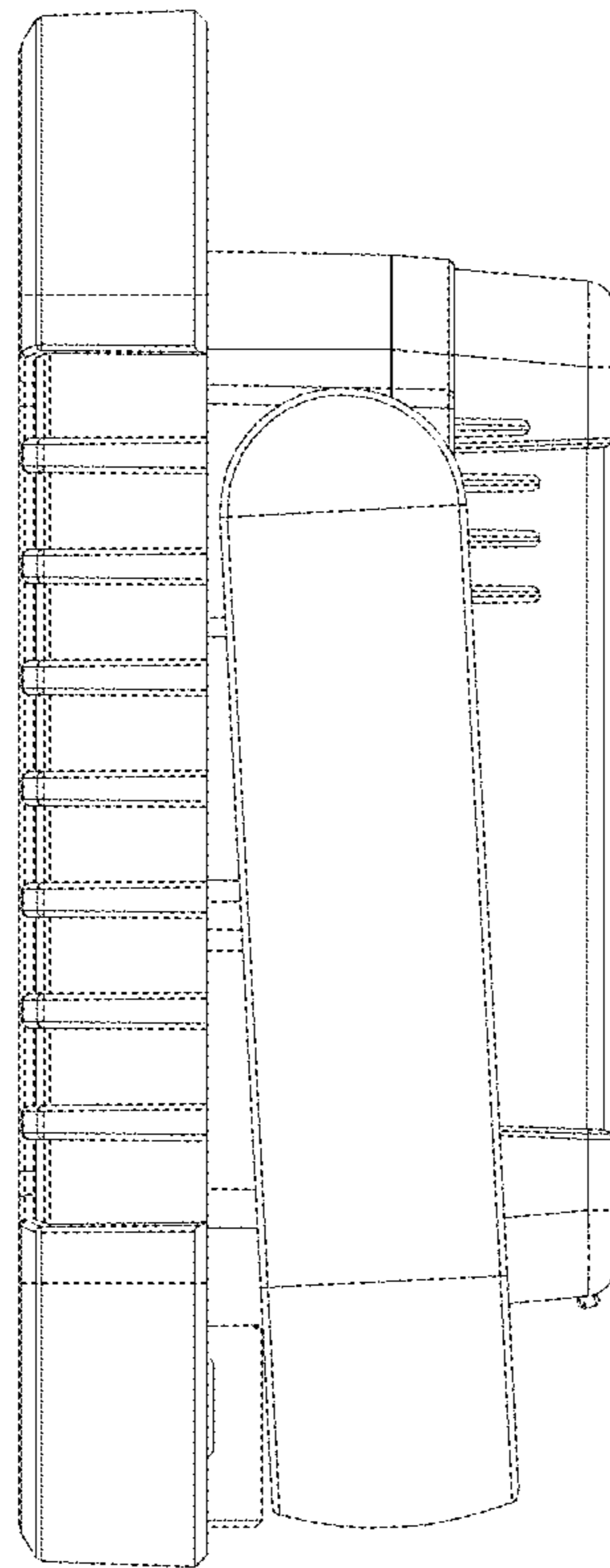


FIG. 4

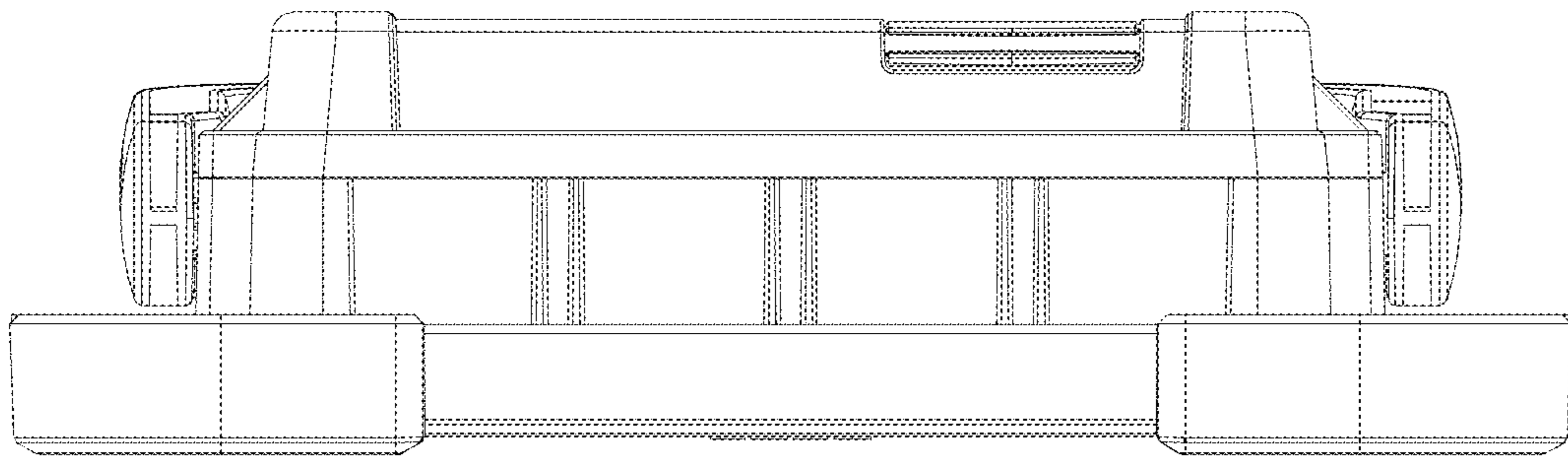


FIG. 5

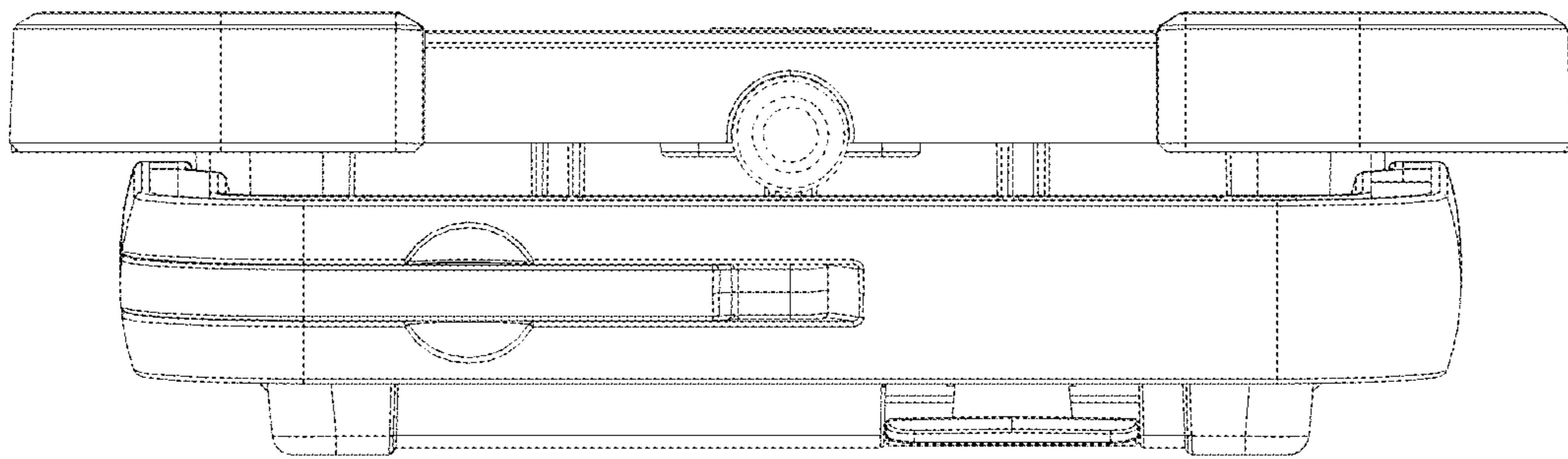


FIG. 6

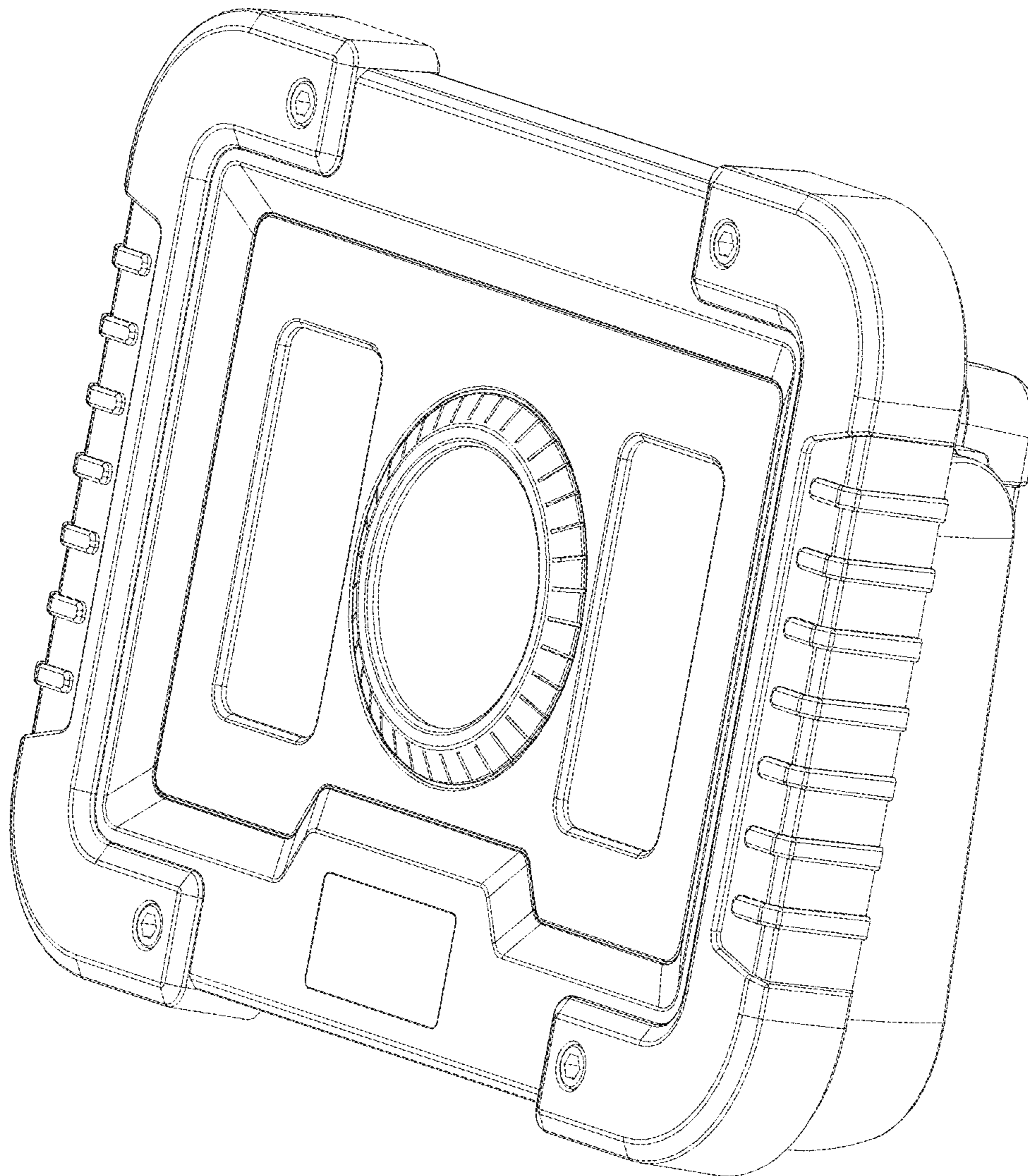


FIG. 7

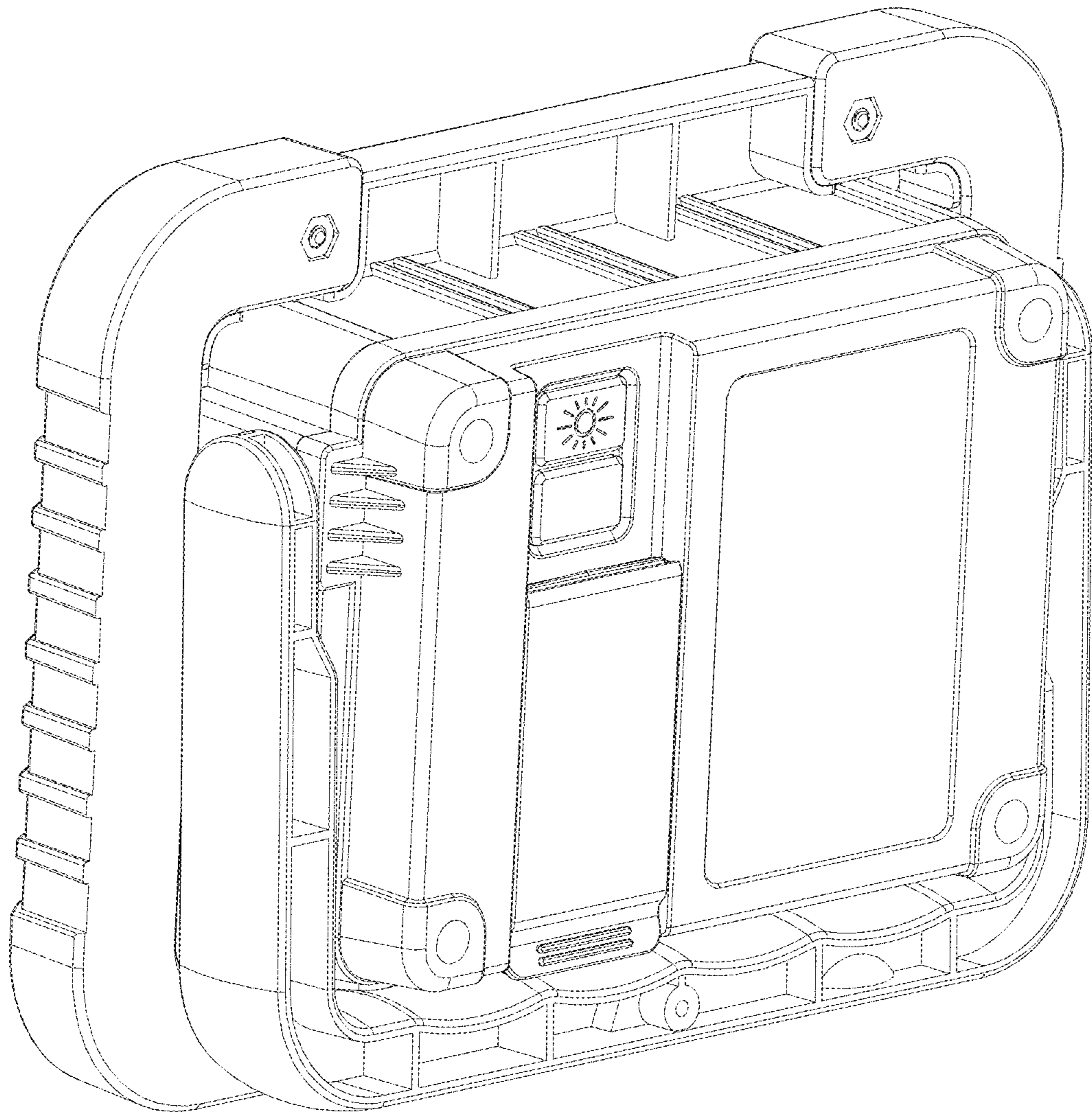


FIG. 8

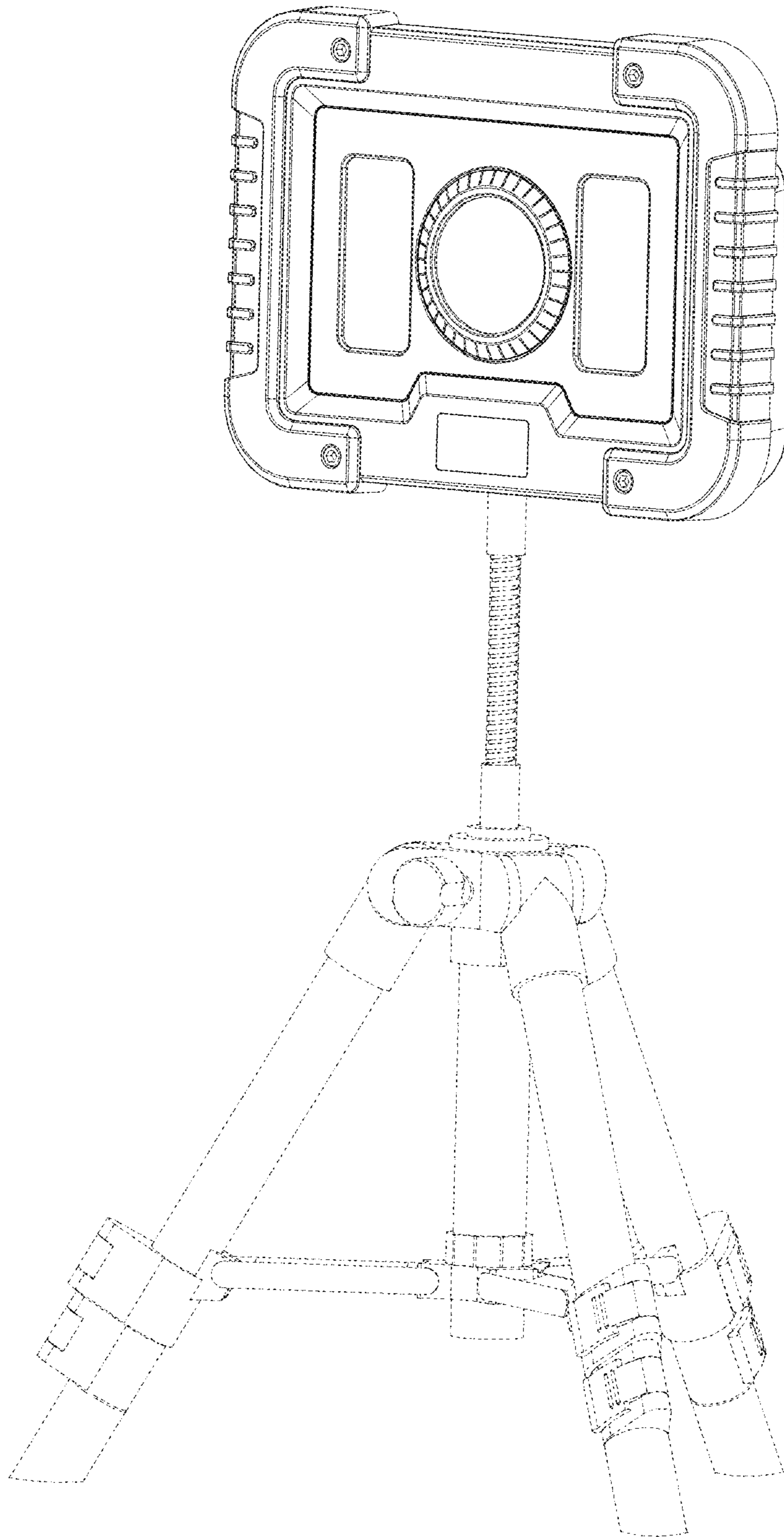


FIG. 9

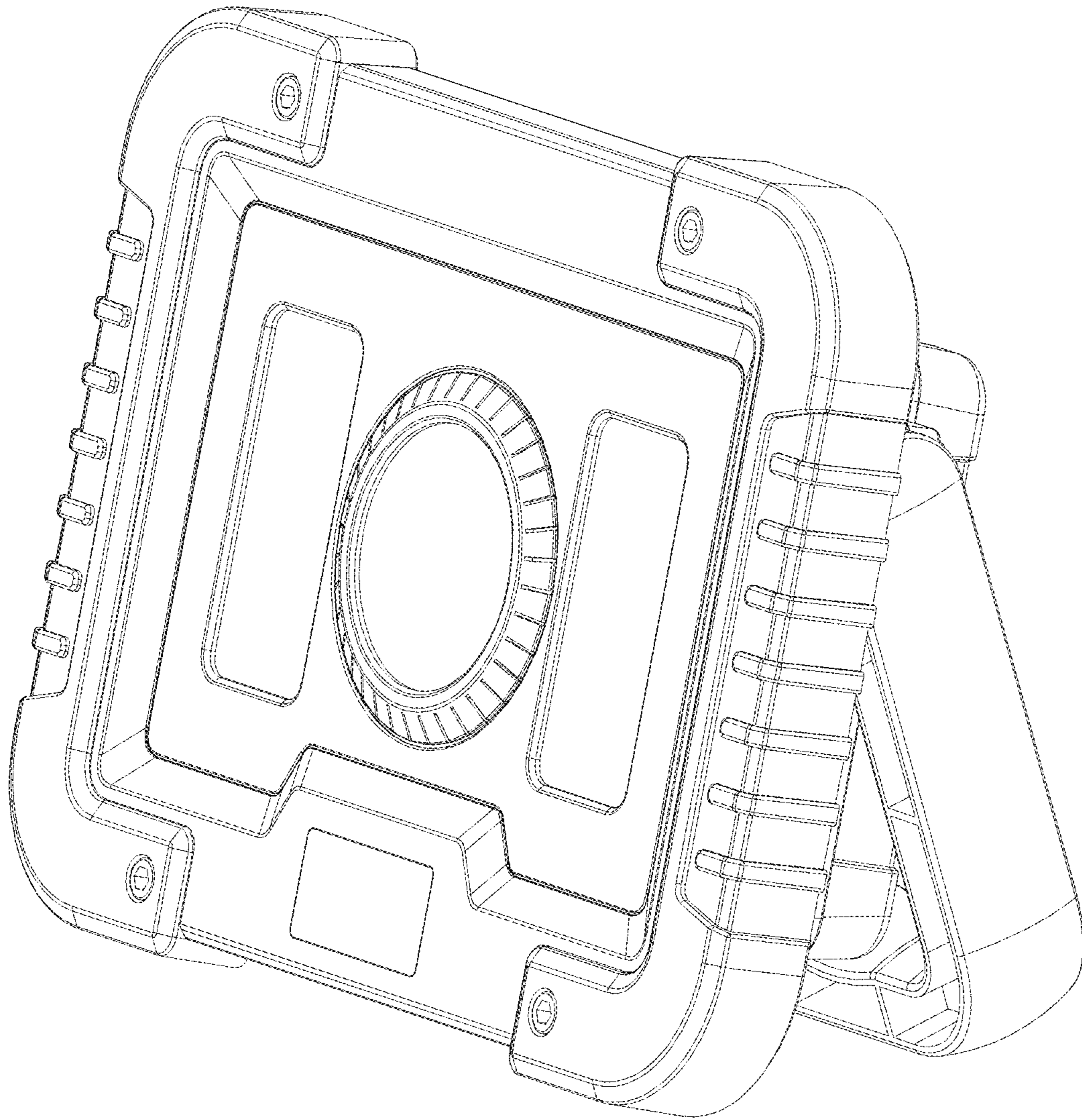


FIG. 10

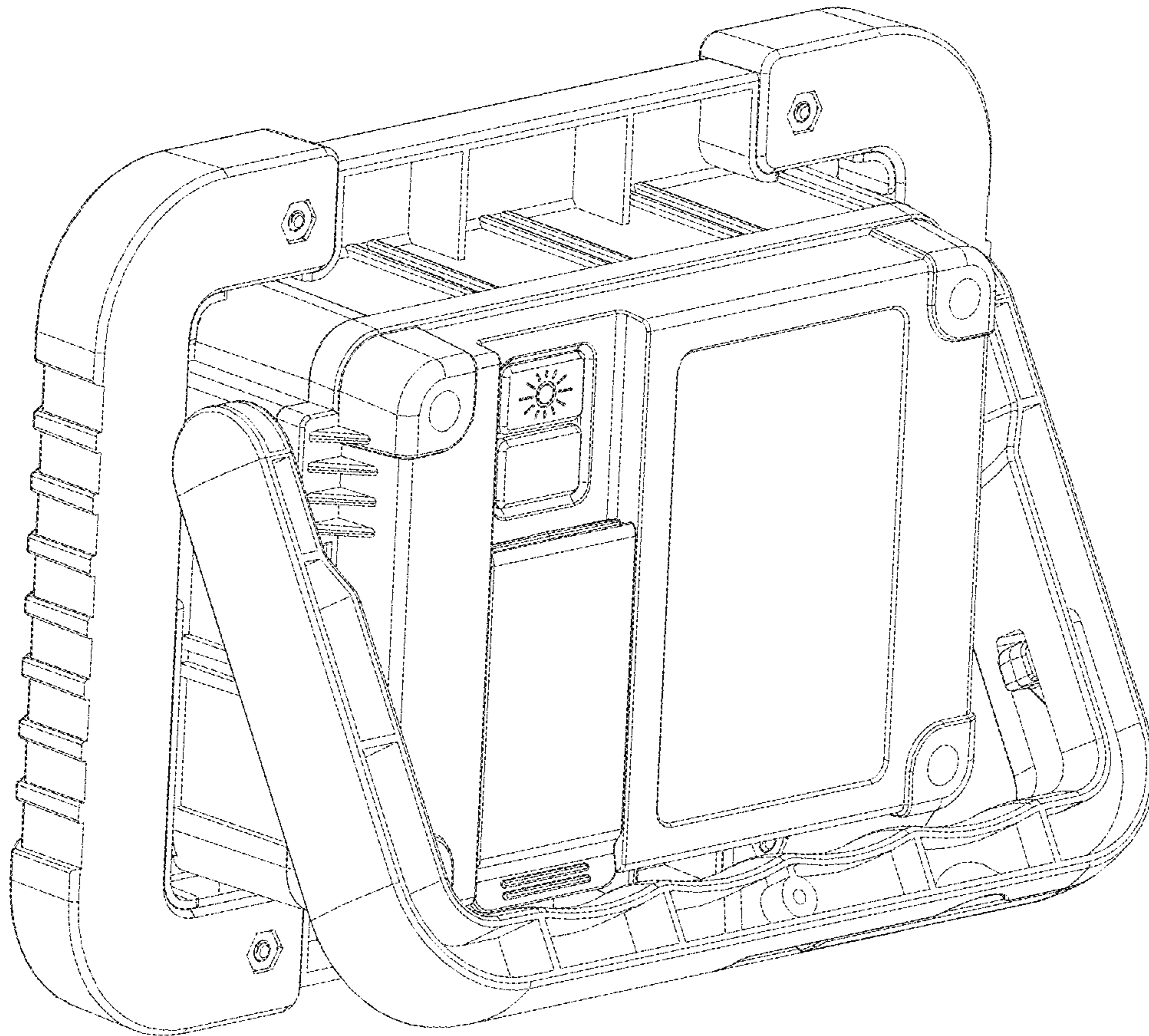


FIG. 11

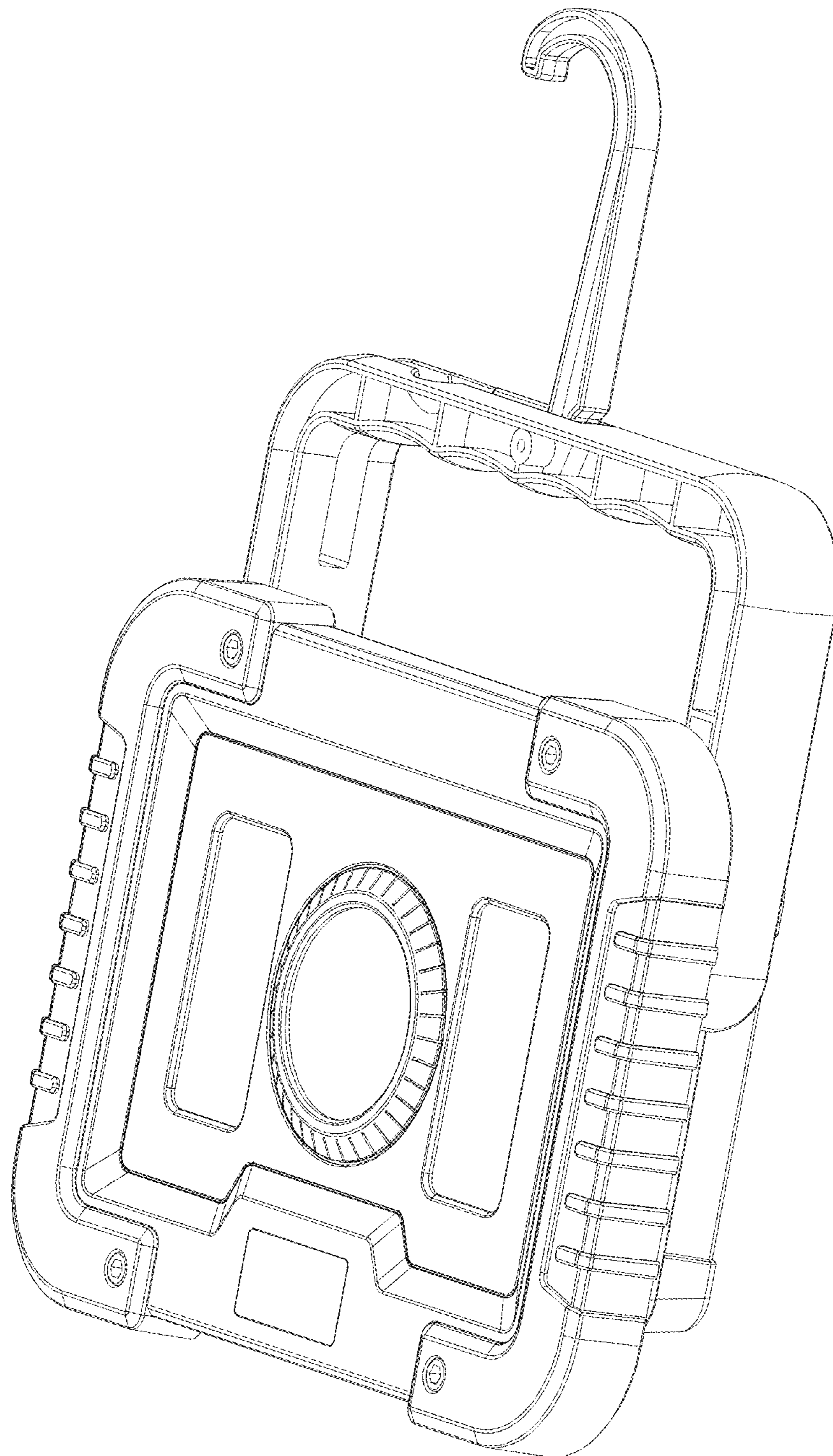


FIG. 12

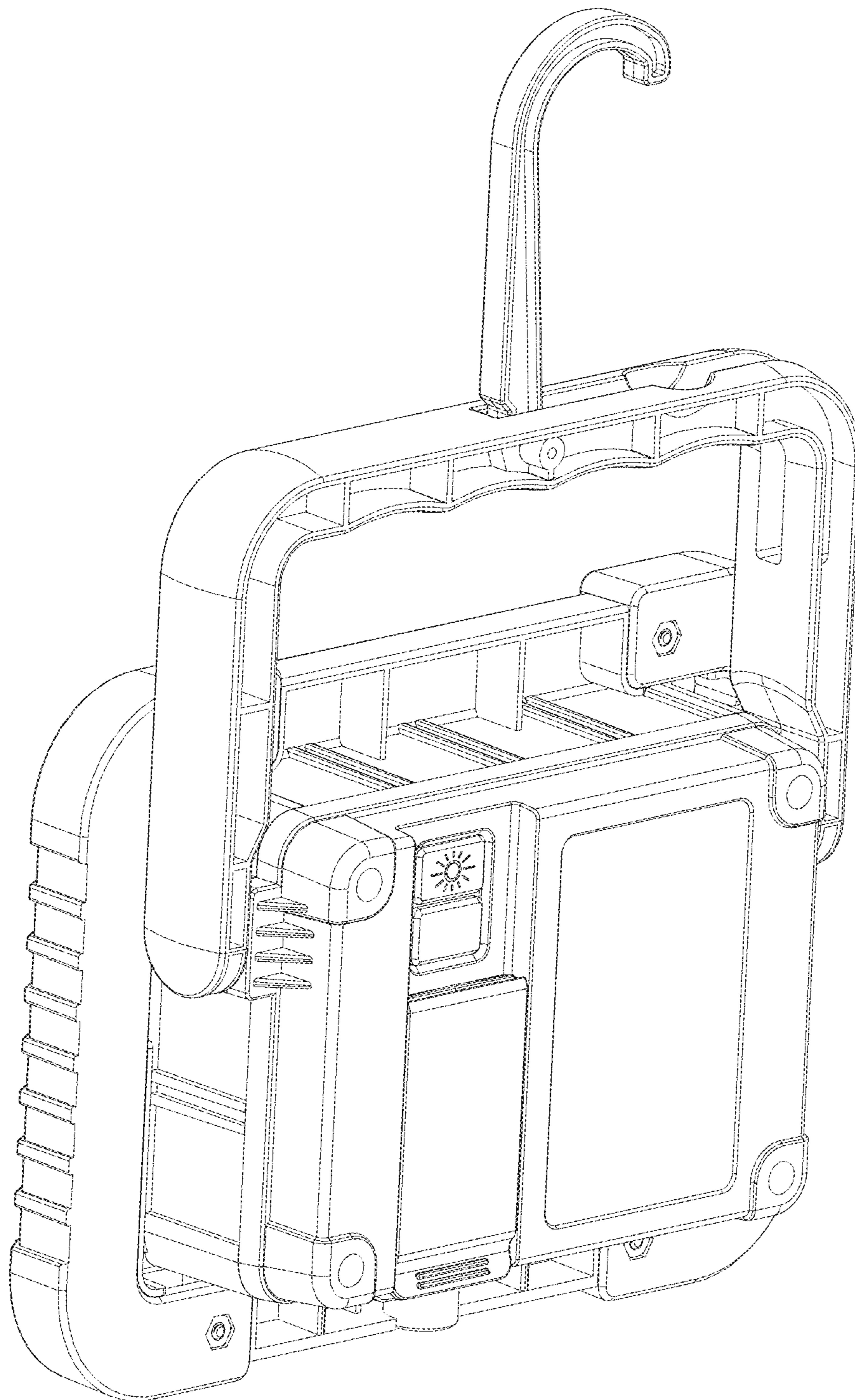


FIG. 13