



US00D929001S

(12) **United States Design Patent**
Zhang

(10) **Patent No.:** **US D929,001 S**

(45) **Date of Patent:** **** Aug. 24, 2021**

(54) **HEADLIGHT**

(71) Applicant: **Enping Shilan Lighting Electronics Co., Ltd.**, Enping (CN)

(72) Inventor: **Jianlong Zhang**, Enping (CN)

(73) Assignee: **Enping Shilan Lighting Electronics Co., Ltd.**, Guangdong (CN)

(**) Term: **15 Years**

(21) Appl. No.: **29/731,122**

(22) Filed: **Apr. 13, 2020**

(51) **LOC (13) Cl.** **26-06**

(52) **U.S. Cl.**
USPC **D26/28**

(58) **Field of Classification Search**
USPC D26/28-36, 139
CPC F21S 48/00; F21S 48/10; F21S 48/115;
F21S 48/225; F21S 48/1233; F21S
48/1266; F21S 48/1388; F21S 48/2268;
F21S 29/004; F21V 21/04; B60Q 9/13;
B60Q 9/135; B60Q 9/1375
See application file for complete search history.

(56) **References Cited**

U.S. PATENT DOCUMENTS

D710,042 S * 7/2014 Georgitsis D26/28
D713,570 S * 9/2014 Yoshida D26/28

D765,288 S * 8/2016 Ueda D26/28
D769,490 S * 10/2016 Ma D26/28
D772,446 S * 11/2016 Largent D26/28
D777,961 S * 1/2017 Wu D26/28
D841,205 S * 2/2019 Dai D26/28
D846,775 S * 4/2019 Yan D26/28

* cited by examiner

Primary Examiner — Marcus A Jackson

(74) *Attorney, Agent, or Firm* — Cooper Legal Group, LLC

(57) **CLAIM**

The ornamental design for a headlight, as shown and described.

DESCRIPTION

The patent or application file contains at least one drawing executed in color. Copies of this patent or patent application publication with color drawing(s) will be provided by the Office upon request and payment of the necessary fee.

FIG. 1 is a front view of a headlight, showing my new design;

FIG. 2 is a top plan view thereof;

FIG. 3 is a bottom plan view thereof;

FIG. 4 is a rear plan view thereof;

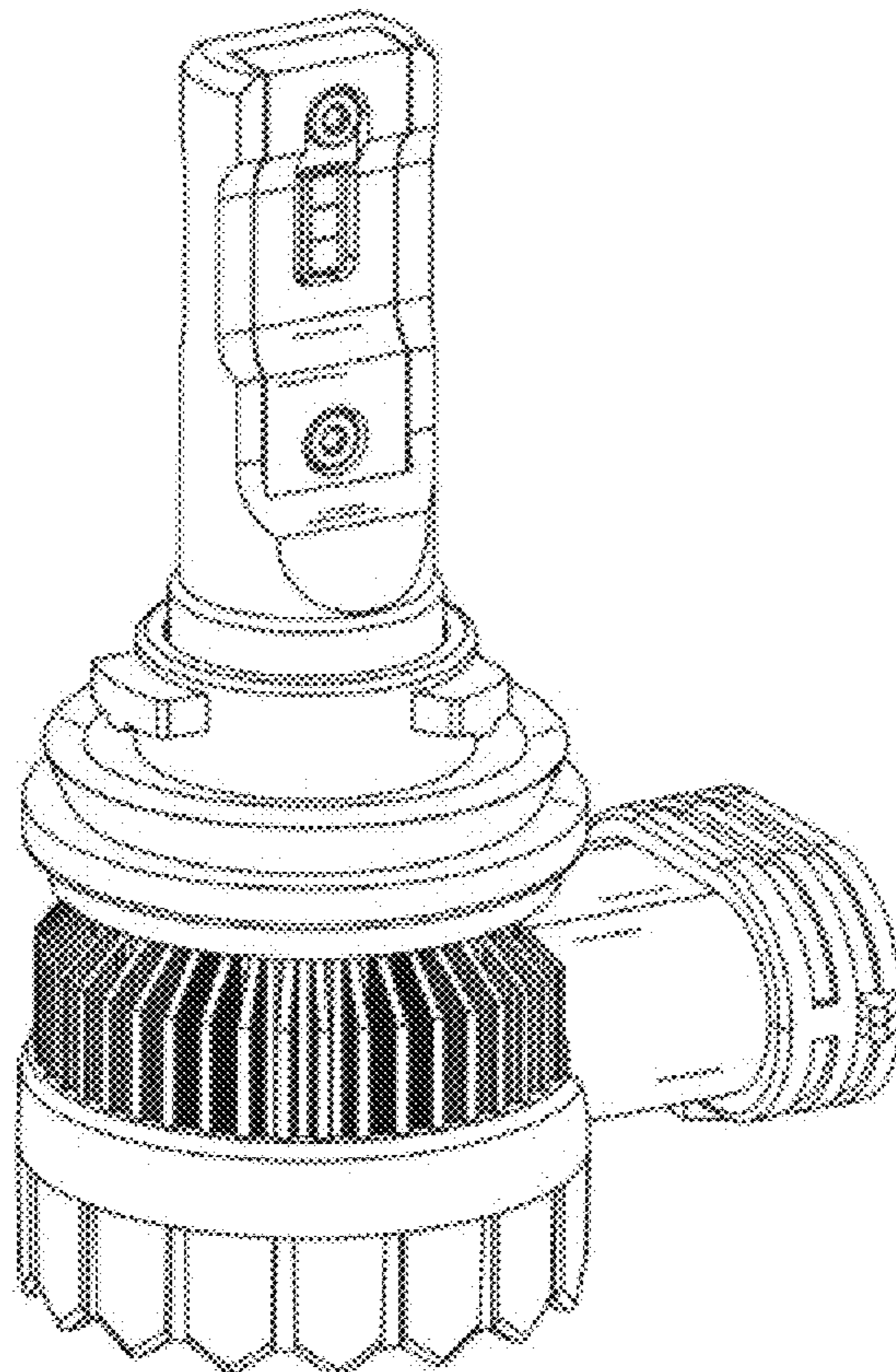
FIG. 5 is a left plan view thereof; and

FIG. 6 is a right plan view thereof; and,

FIG. 7 is a perspective view thereof.

1 Claim, 7 Drawing Sheets

(6 of 7 Drawing Sheet(s) Filed in Color)



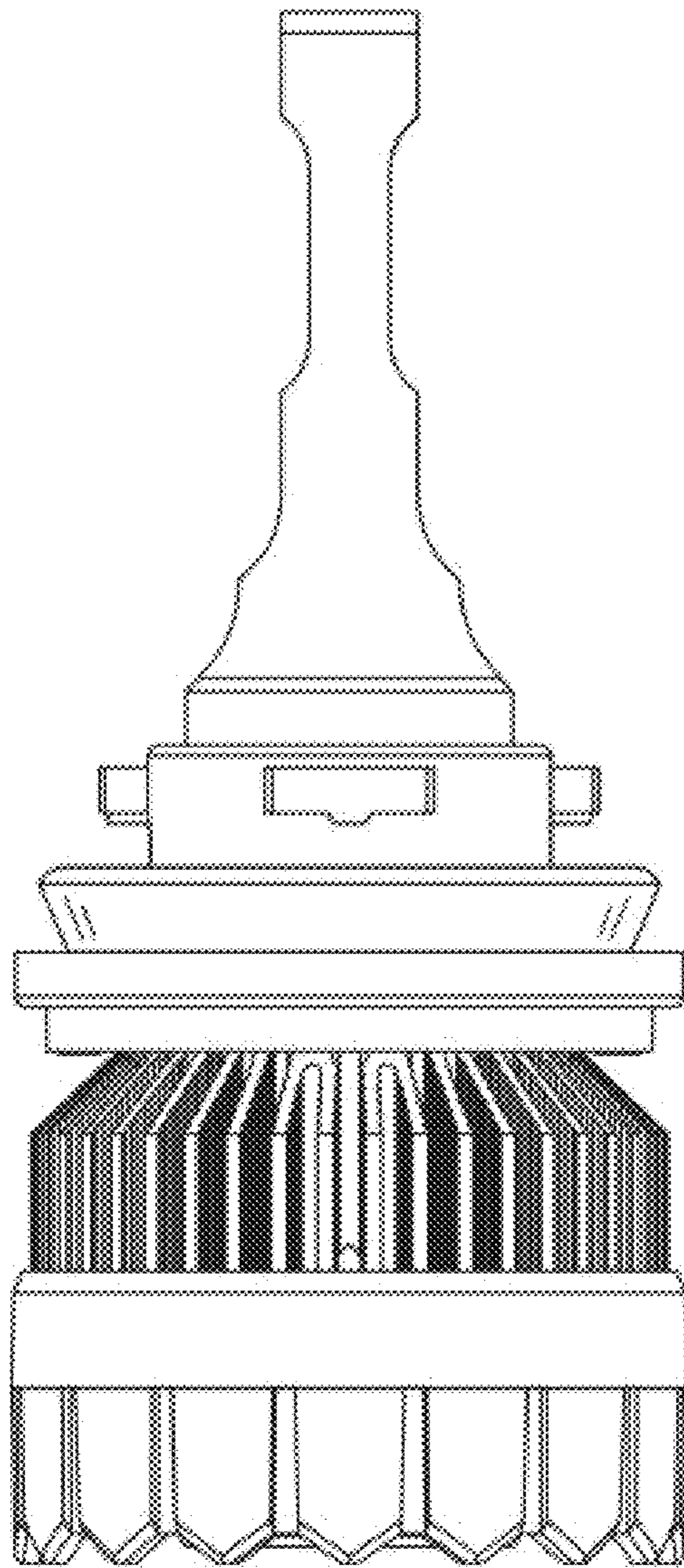


FIG.1

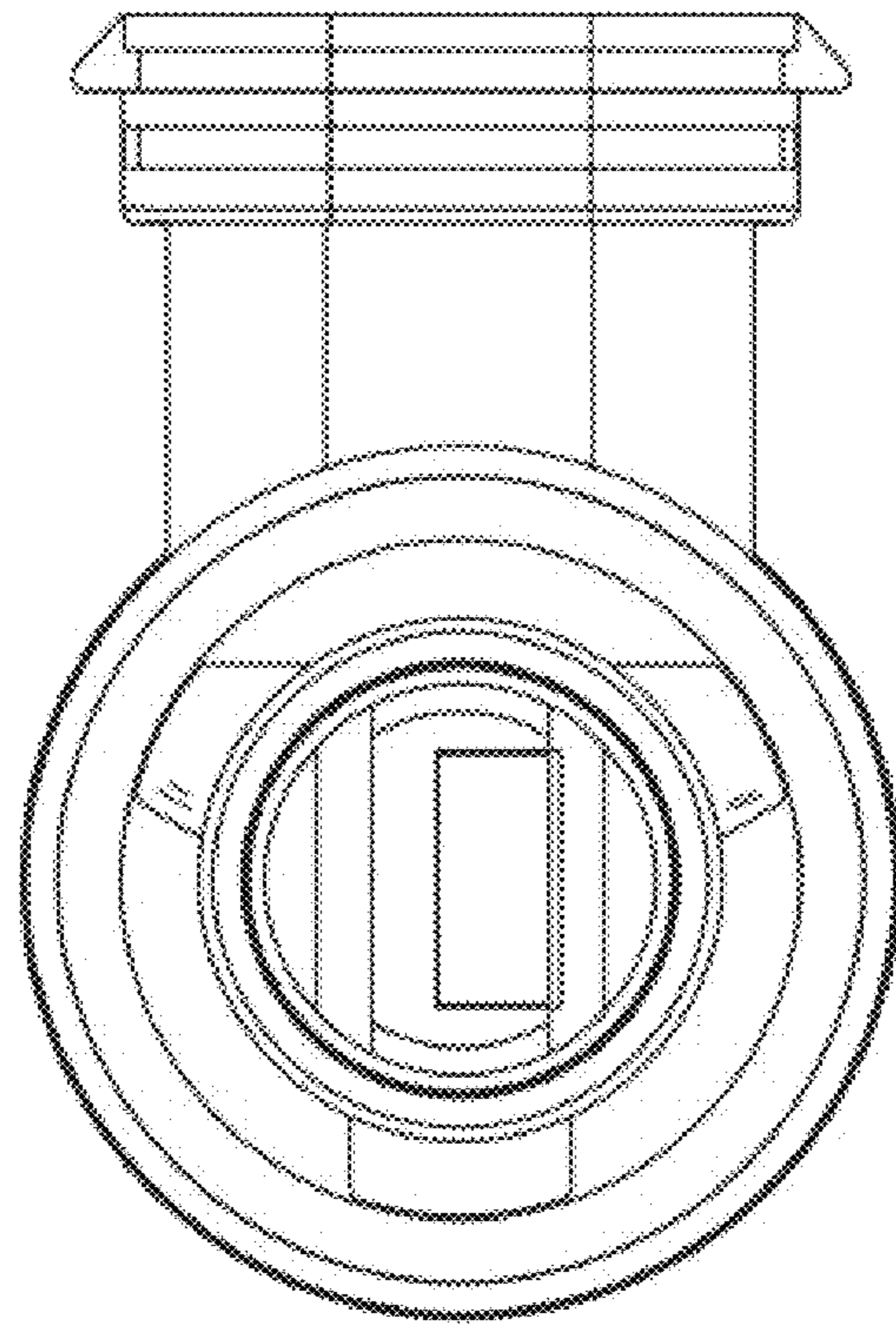


FIG.2

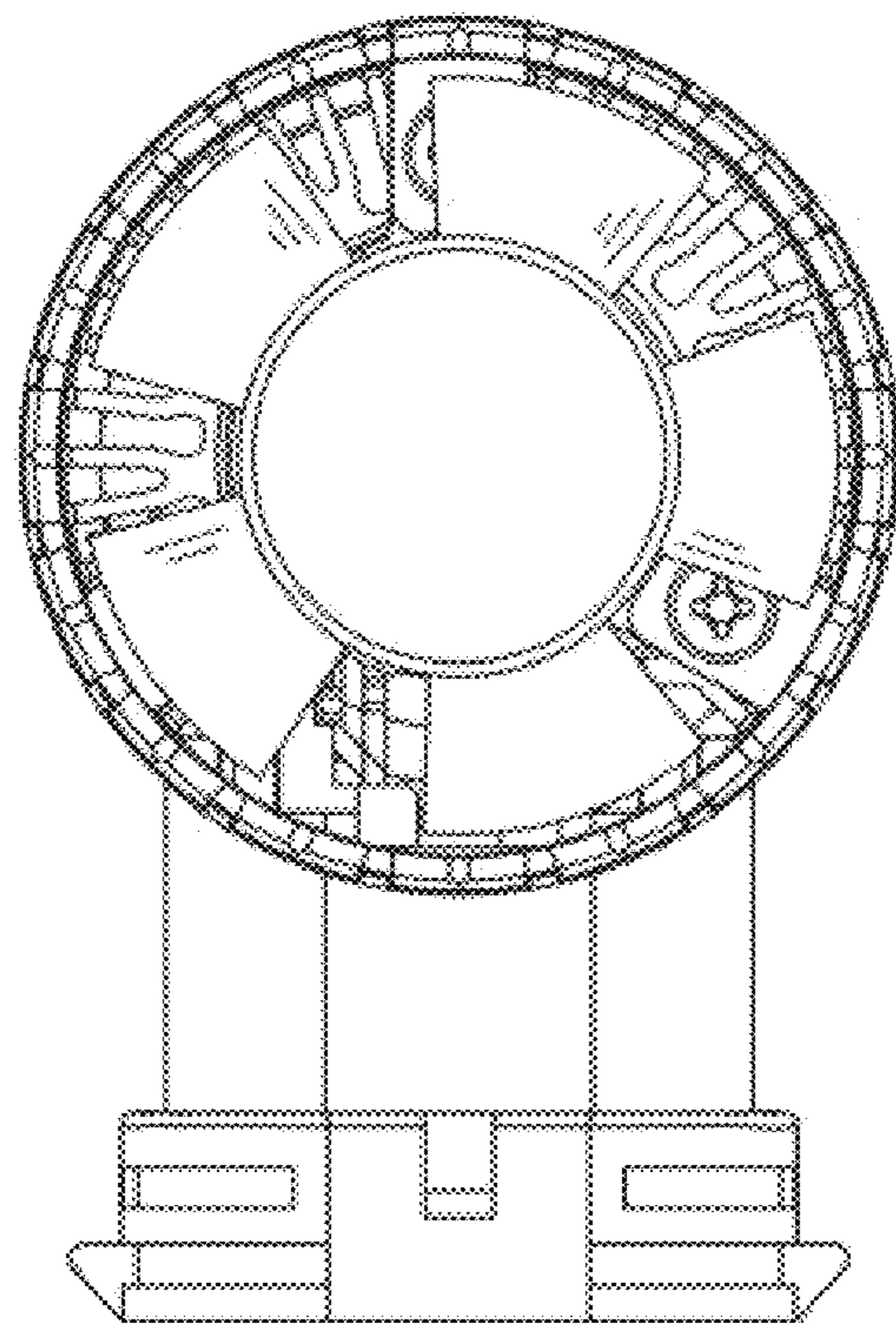


FIG.3

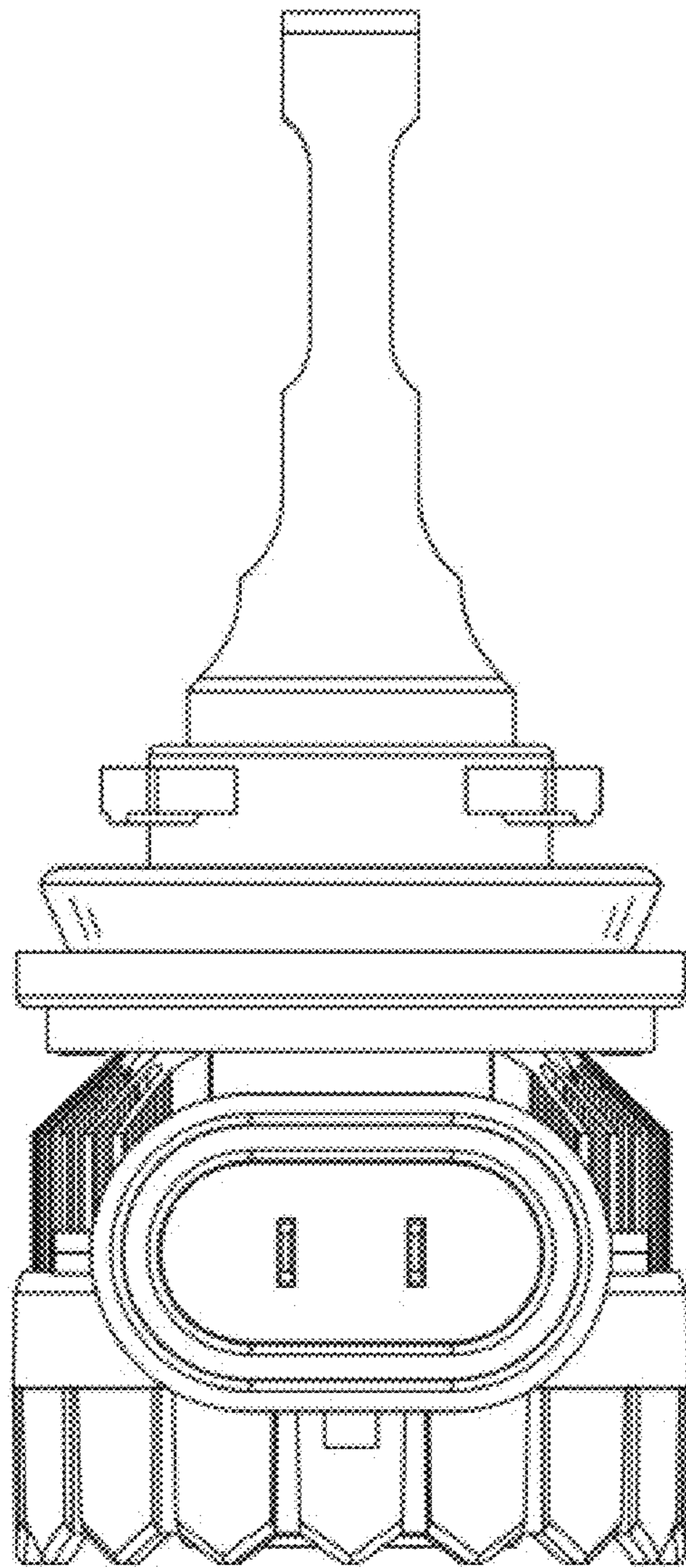


FIG.4

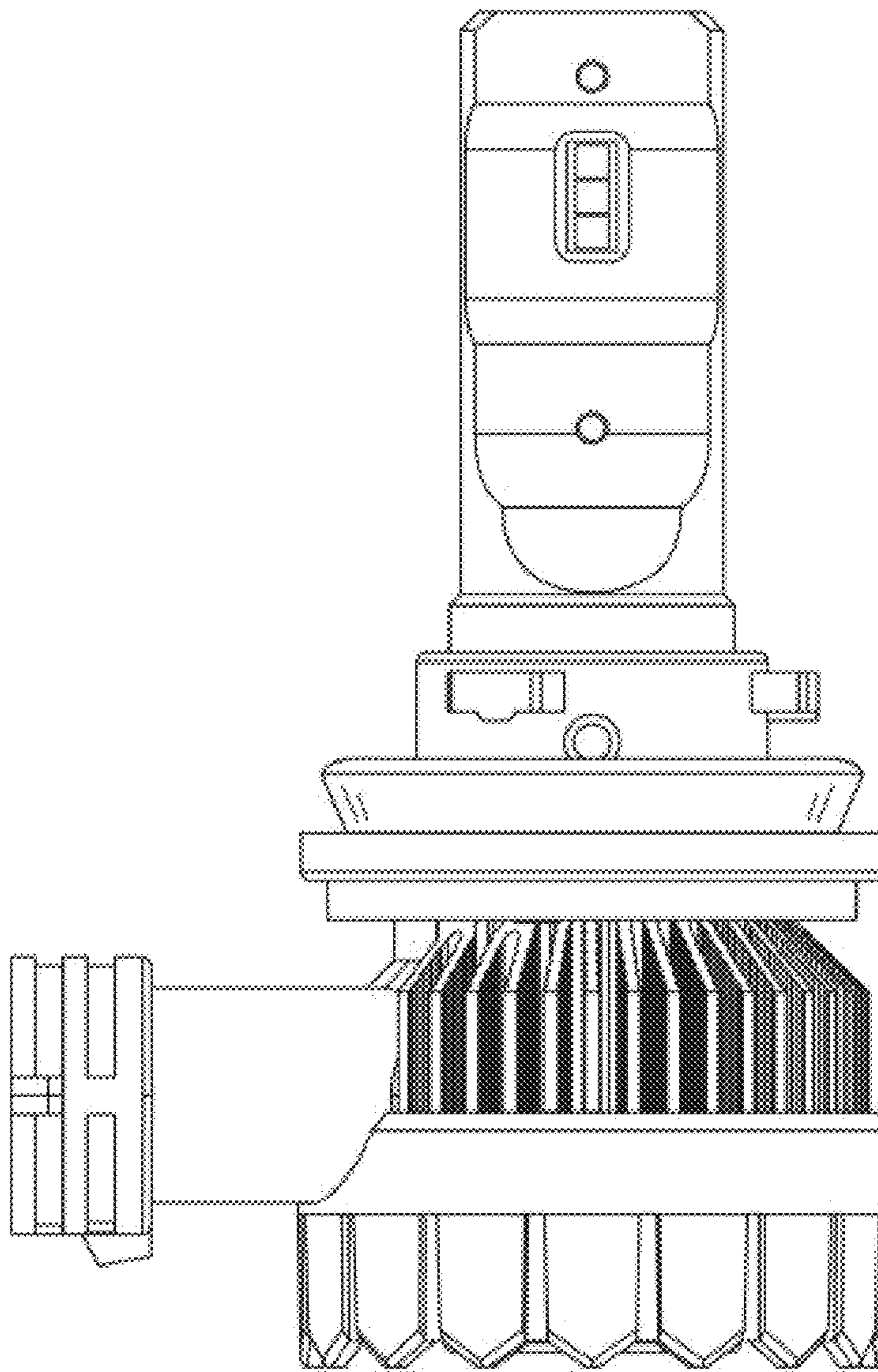


FIG.5

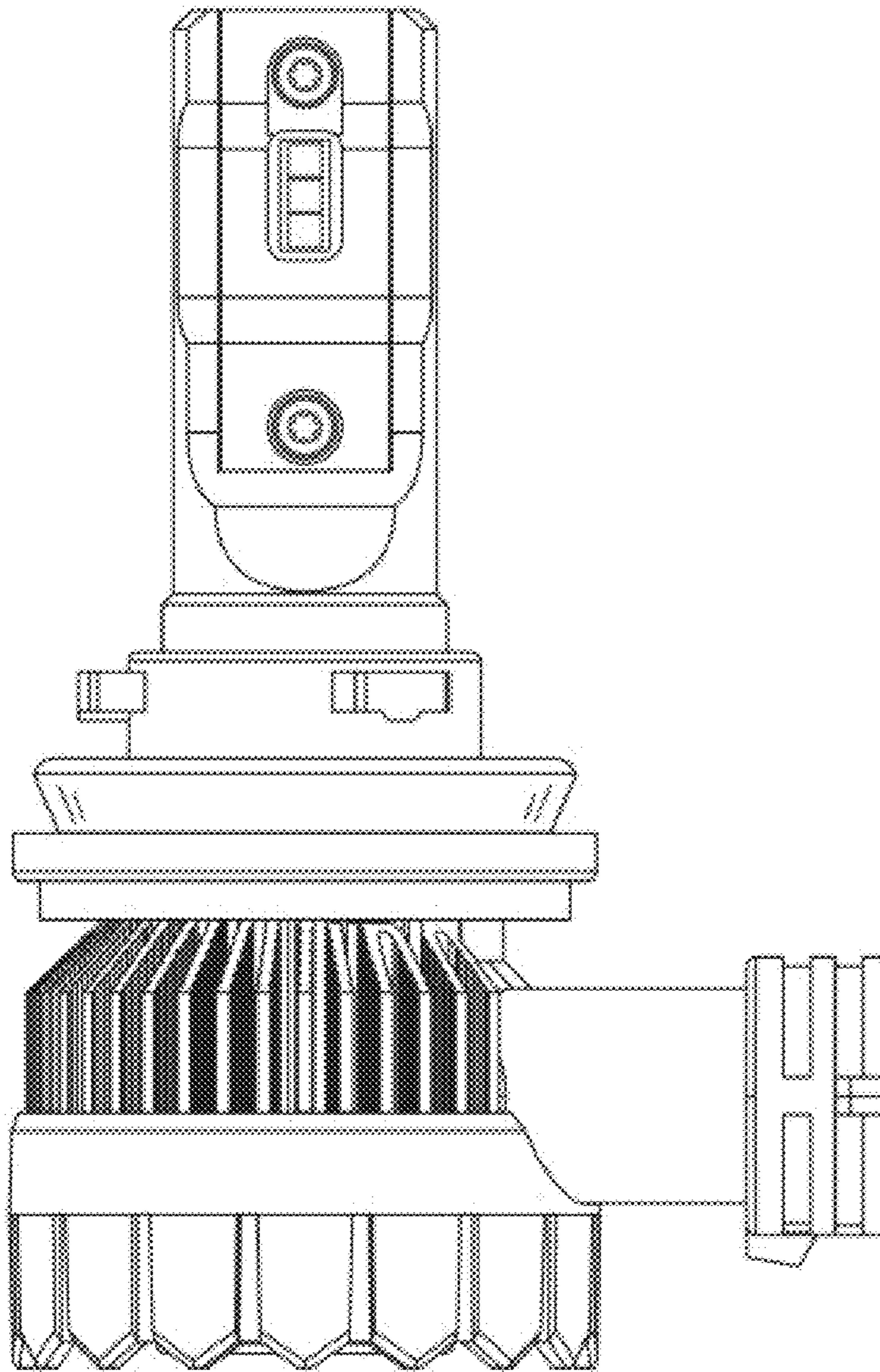


FIG.6

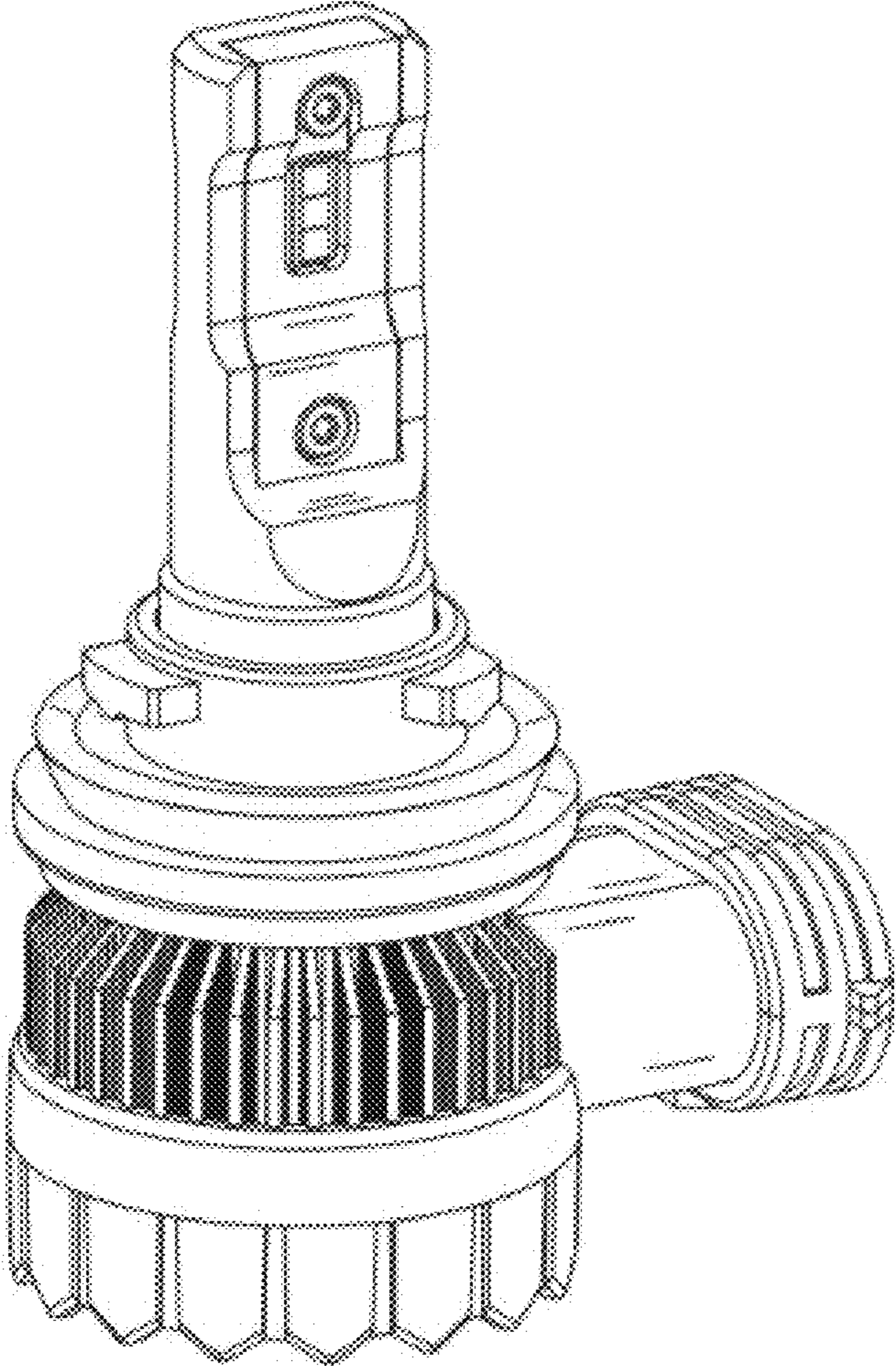


FIG.7