



US00D928997S

(12) **United States Design Patent**
Korpi

(10) **Patent No.:** **US D928,997 S**

(45) **Date of Patent:** **** Aug. 24, 2021**

(54) **WORKING LIGHT**

(71) Applicant: **Nordic Lights Oy**, Jakobstad (FI)

(72) Inventor: **Jari Korpi**, Pietarsaari (FI)

(73) Assignee: **Nordic Lights Oy**, Jakobstad (FI)

(**) Term: **15 Years**

(21) Appl. No.: **29/725,565**

(22) Filed: **Feb. 26, 2020**

(30) **Foreign Application Priority Data**

Aug. 28, 2019 (EM) 006776845-0001

(51) **LOC (13) Cl.** **26-06**

(52) **U.S. Cl.**

USPC **D26/28; D26/24**

(58) **Field of Classification Search**

USPC ... D26/1, 24, 28, 34, 35, 36, 60, 61, 63, 72,
D26/74, 76, 82, 83, 123, 124, 139;
D10/104.1, 114.2, 114.3, 114.4

CPC ... B60Q 1/00; B60Q 1/18; B60Q 1/20; B60Q
1/24; B60Q 1/26; B60Q 1/0483; B60Q
1/2619; F21S 43/00; F21S 43/14; F21S
43/242-251; F21S 8/02; F21S 8/003;
F21S 41/00; F21S 41/26; F21S 41/162;
F21S 41/173; F21V 29/00; F21V 29/74;
F21V 29/76; F21V 29/763; F21V 15/00;
F21V 15/01; F21V 15/04; F21V 15/012
See application file for complete search history.

(56) **References Cited**

U.S. PATENT DOCUMENTS

D600,836 S * 9/2009 Hanley D26/1
D638,963 S * 5/2011 Huang D26/28

D639,468 S * 6/2011 Huang D26/28
D714,987 S * 10/2014 Saville D26/74
D789,571 S * 6/2017 Sauzay D26/28
9,897,272 B2 * 2/2018 Shibata F21S 41/25
D861,202 S * 9/2019 Renvall D26/28
D882,833 S * 4/2020 Wu D26/28
D882,834 S * 4/2020 Wu D26/28
D883,530 S * 5/2020 Huang D26/28
D886,340 S * 6/2020 Wu D26/28
D886,341 S * 6/2020 Wu D26/28
D897,572 S * 9/2020 Wu D26/28
D913,538 S * 3/2021 Zhang D26/28
2016/0047519 A1 * 2/2016 Shibata F21S 41/255
362/512

* cited by examiner

Primary Examiner — Wan Laymon

Assistant Examiner — Clint A Samuel

(74) *Attorney, Agent, or Firm* — Merchant & Gould P.C.

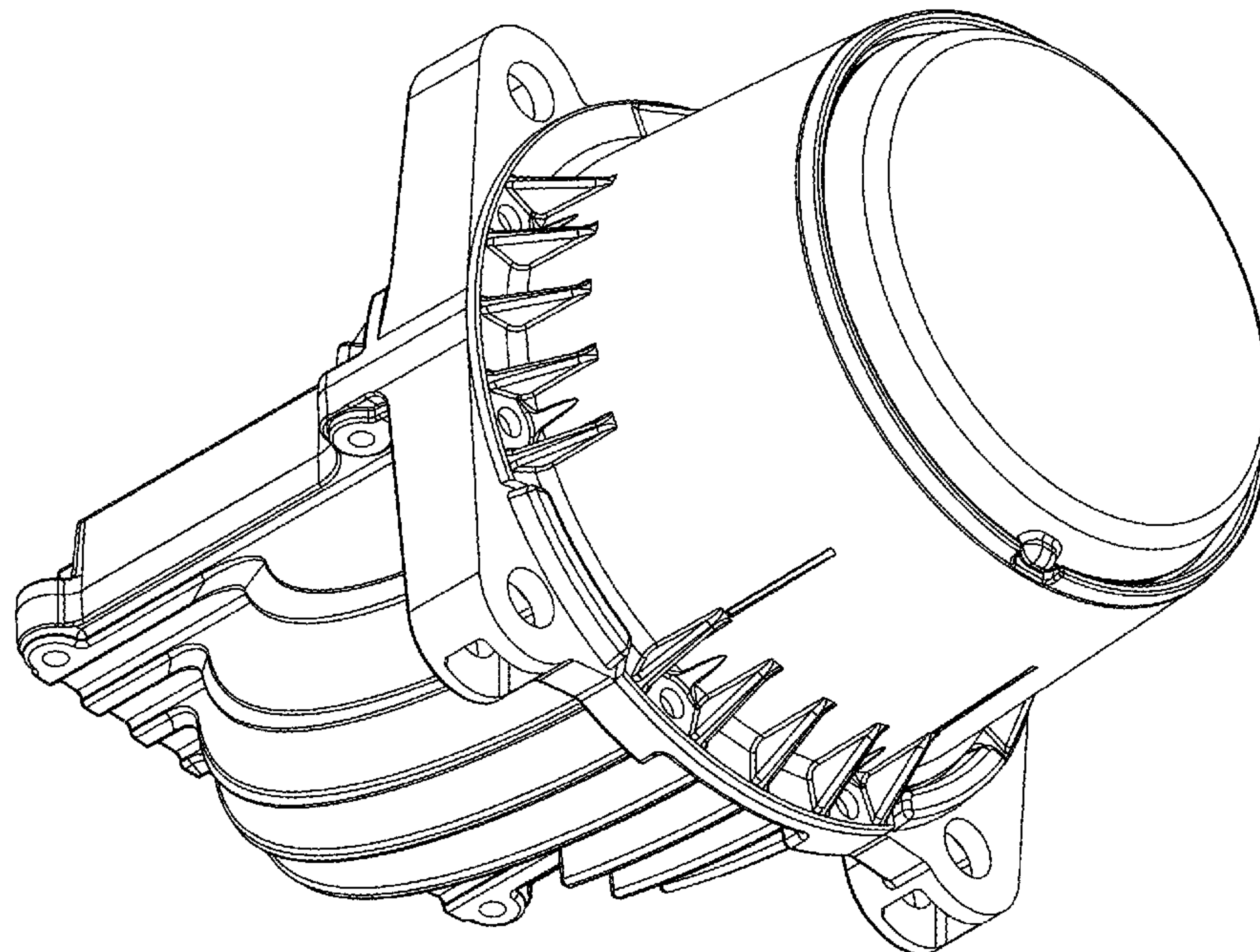
(57) **CLAIM**

The ornamental design for a working light, as shown and described.

DESCRIPTION

FIG. 1 is a perspective view of the working light, showing my new design;
FIG. 2 is a different perspective view thereof;
FIG. 3 is a front view thereof;
FIG. 4 is a rear view thereof;
FIG. 5 is a left side view thereof;
FIG. 6 is a top plan view thereof;
FIG. 7 is a bottom plan view thereof; and,
FIG. 8 is a right side view thereof.

1 Claim, 8 Drawing Sheets



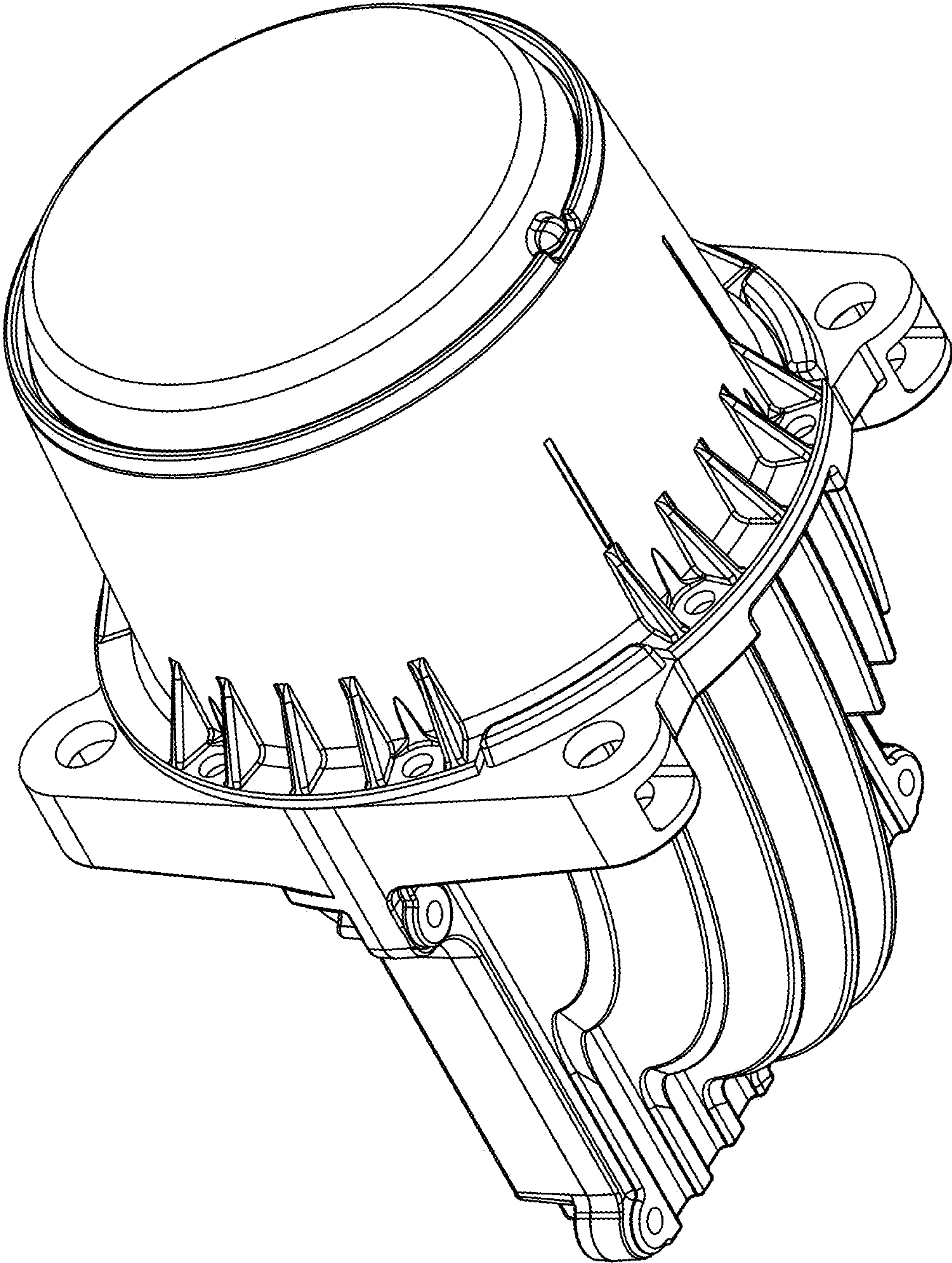


FIG. 1

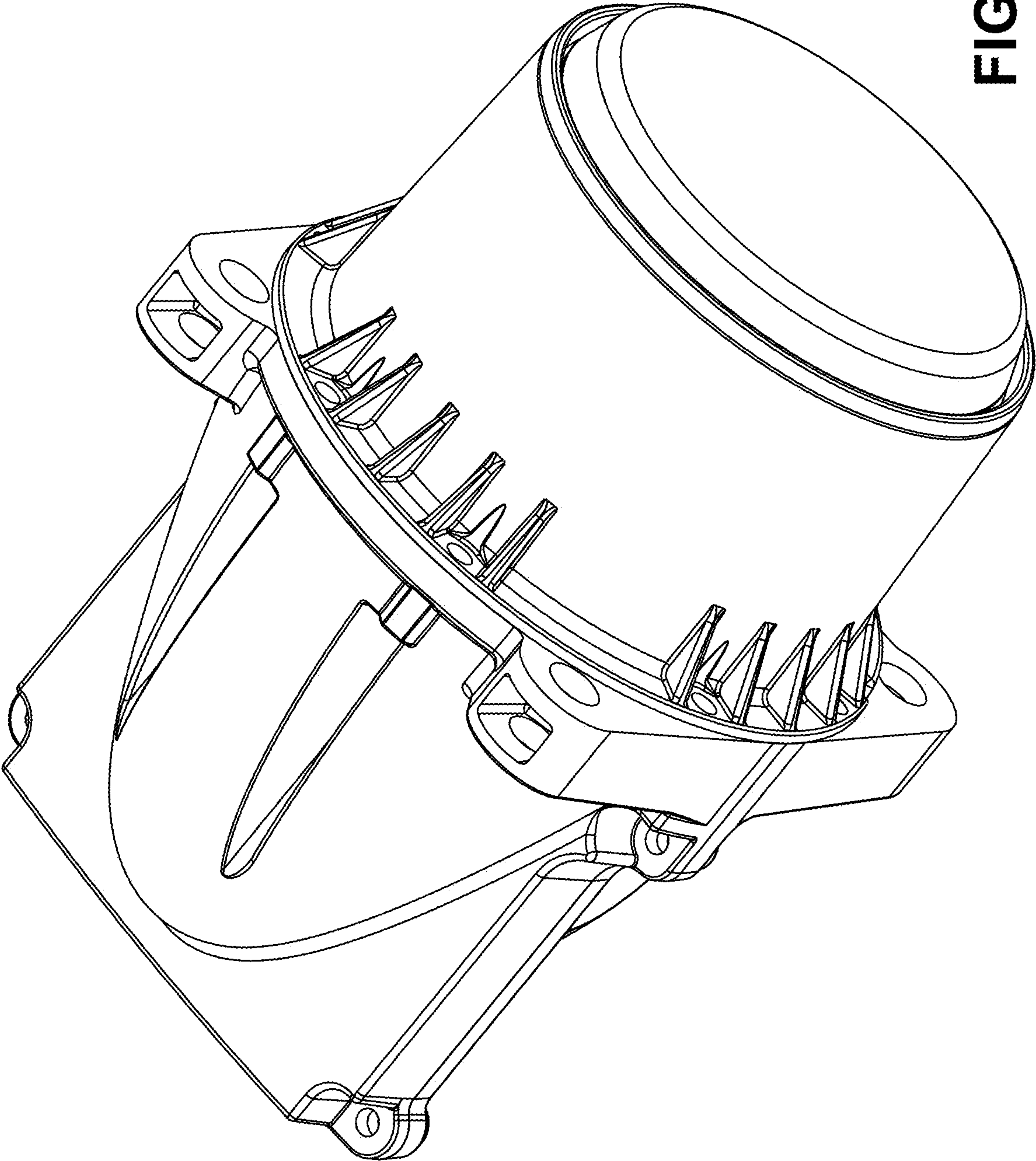


FIG. 2

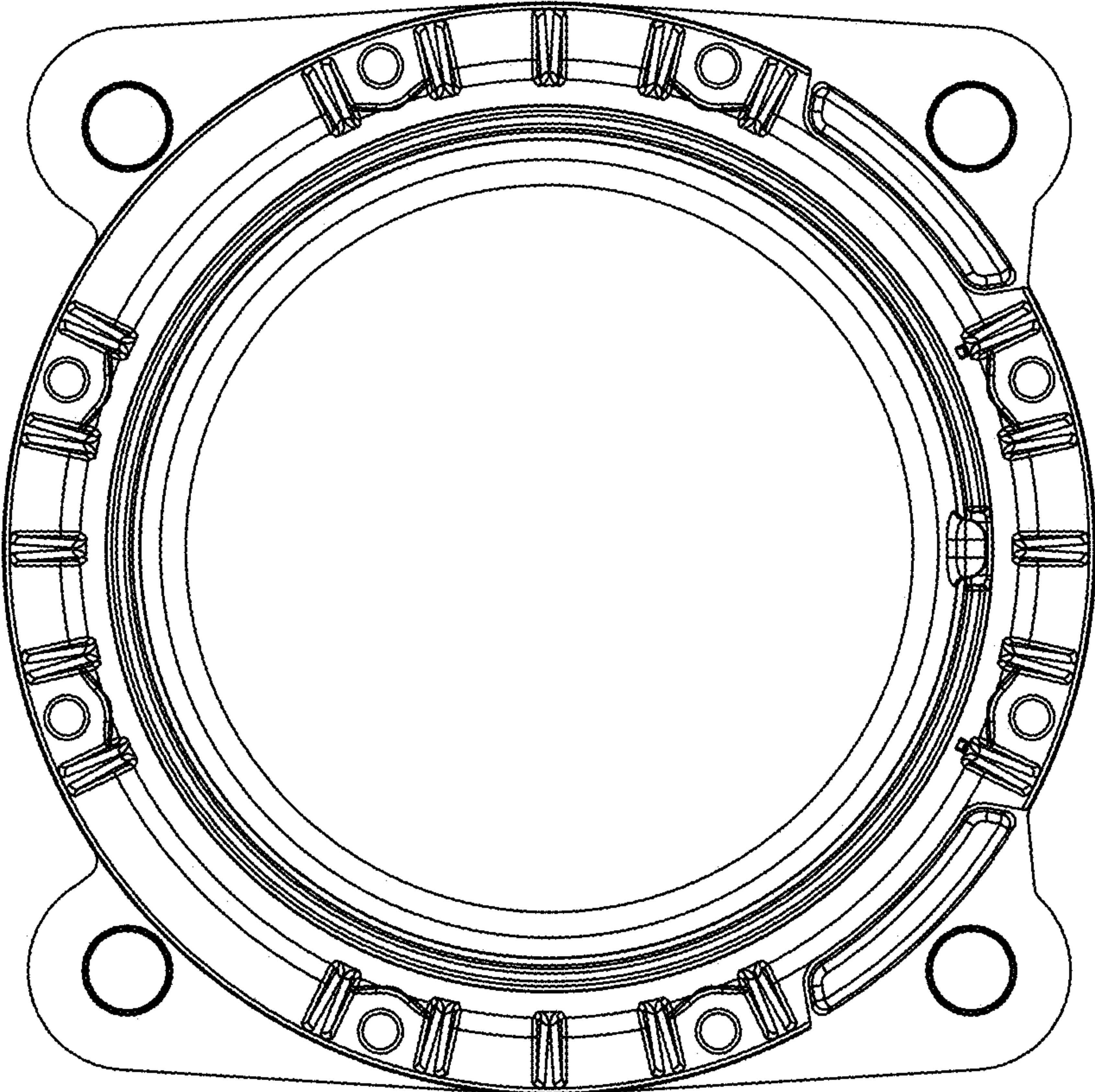


FIG. 3

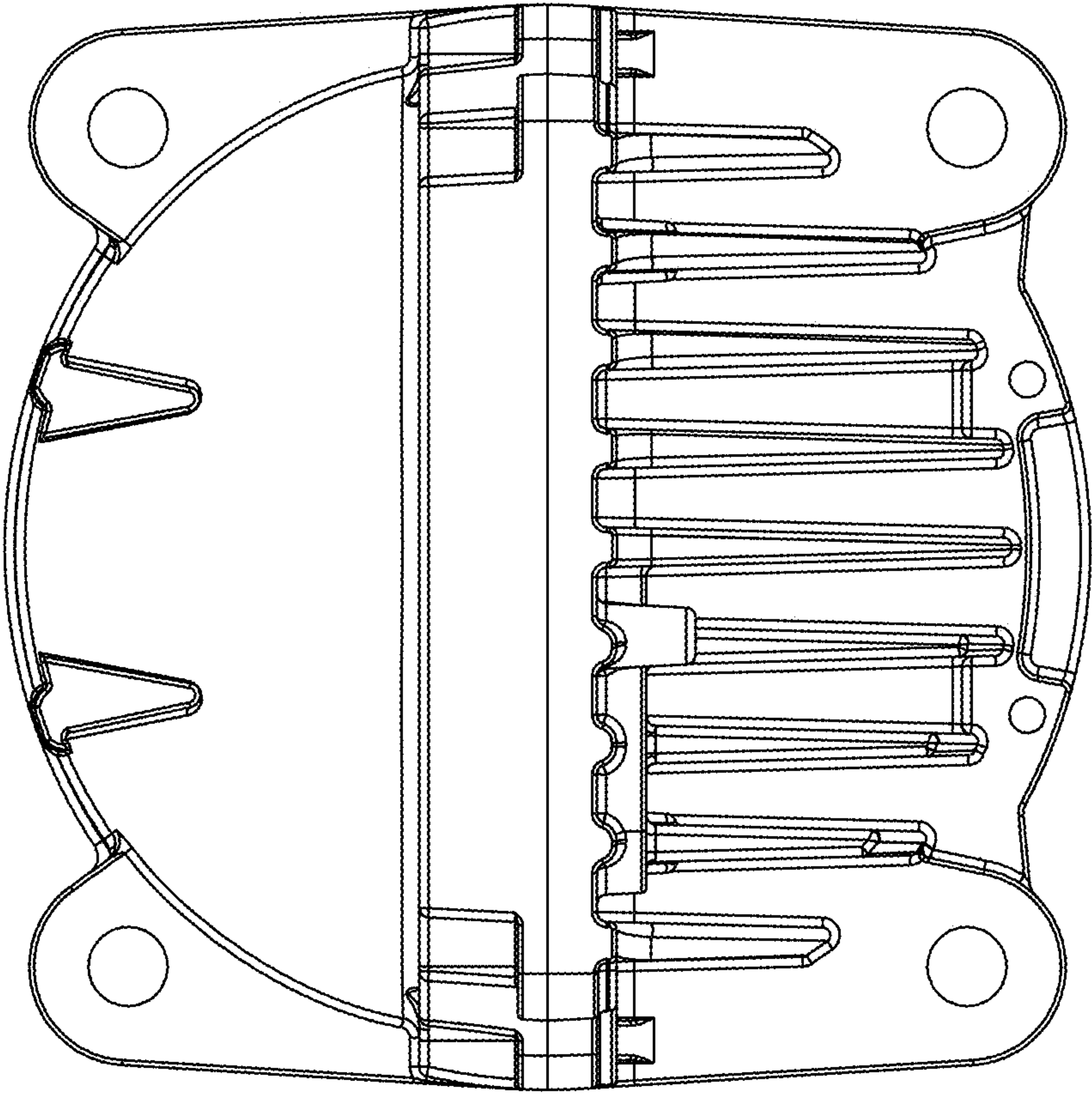


FIG. 4

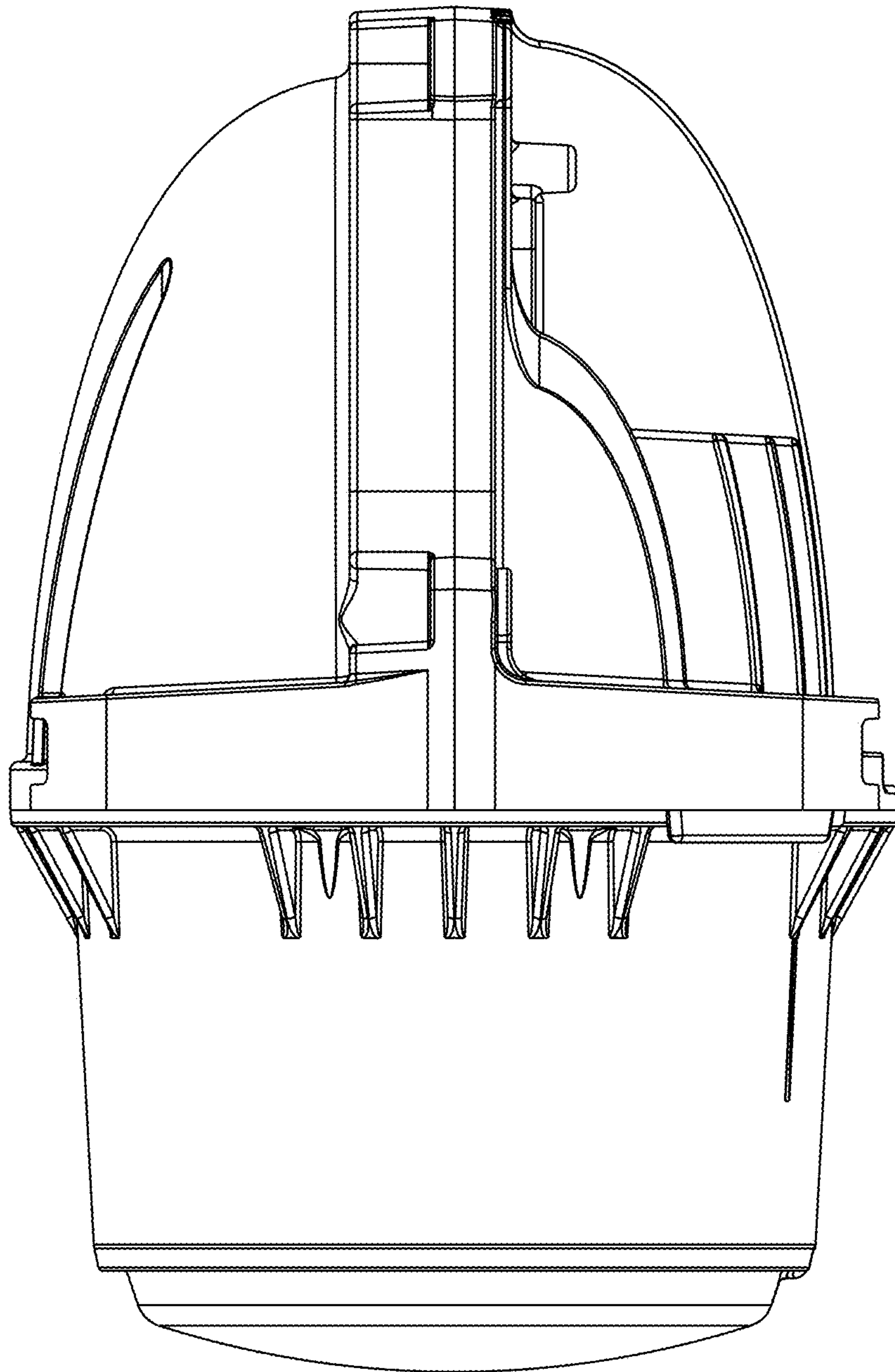


FIG. 5

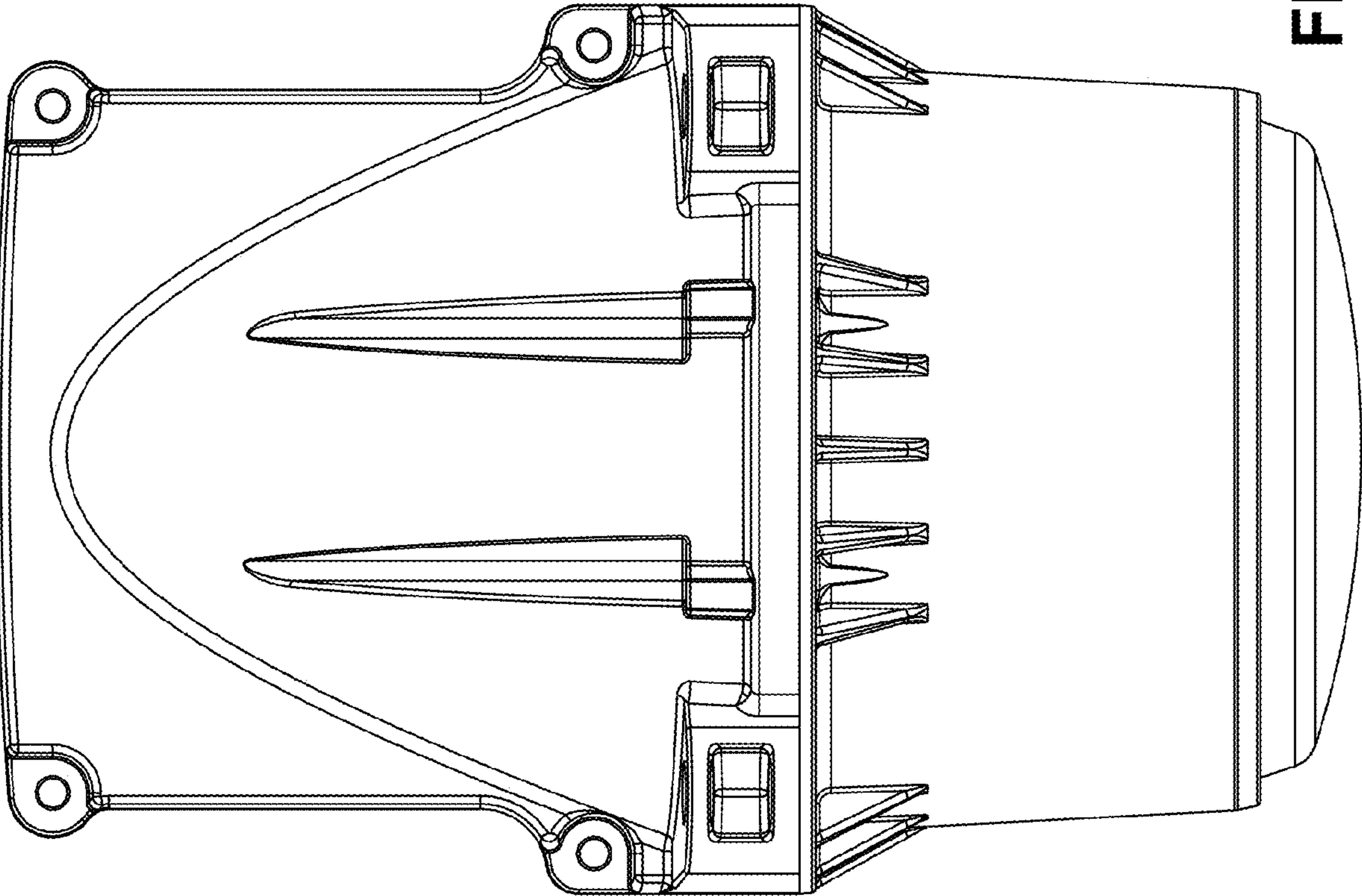


FIG. 6

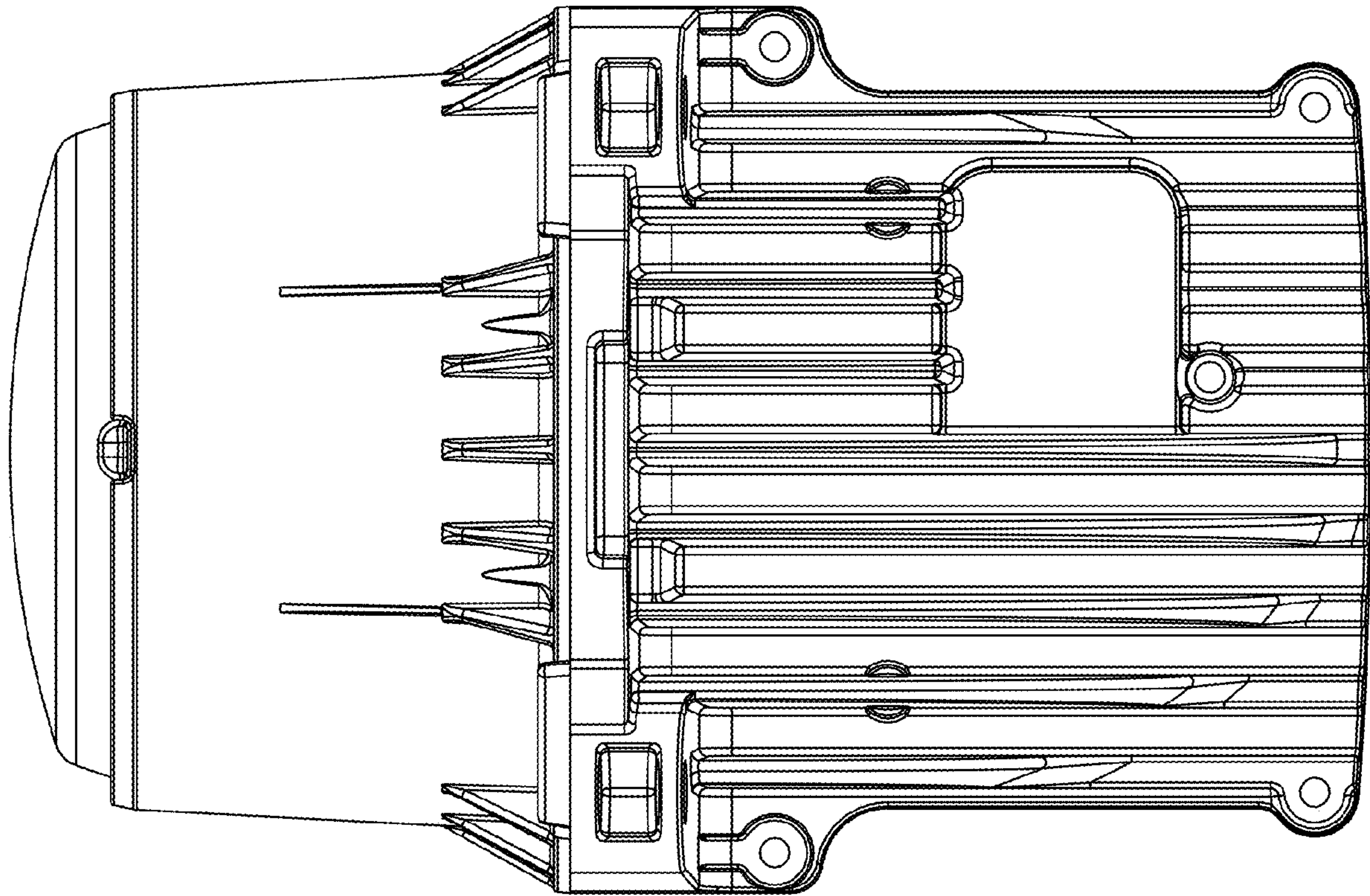


FIG. 7

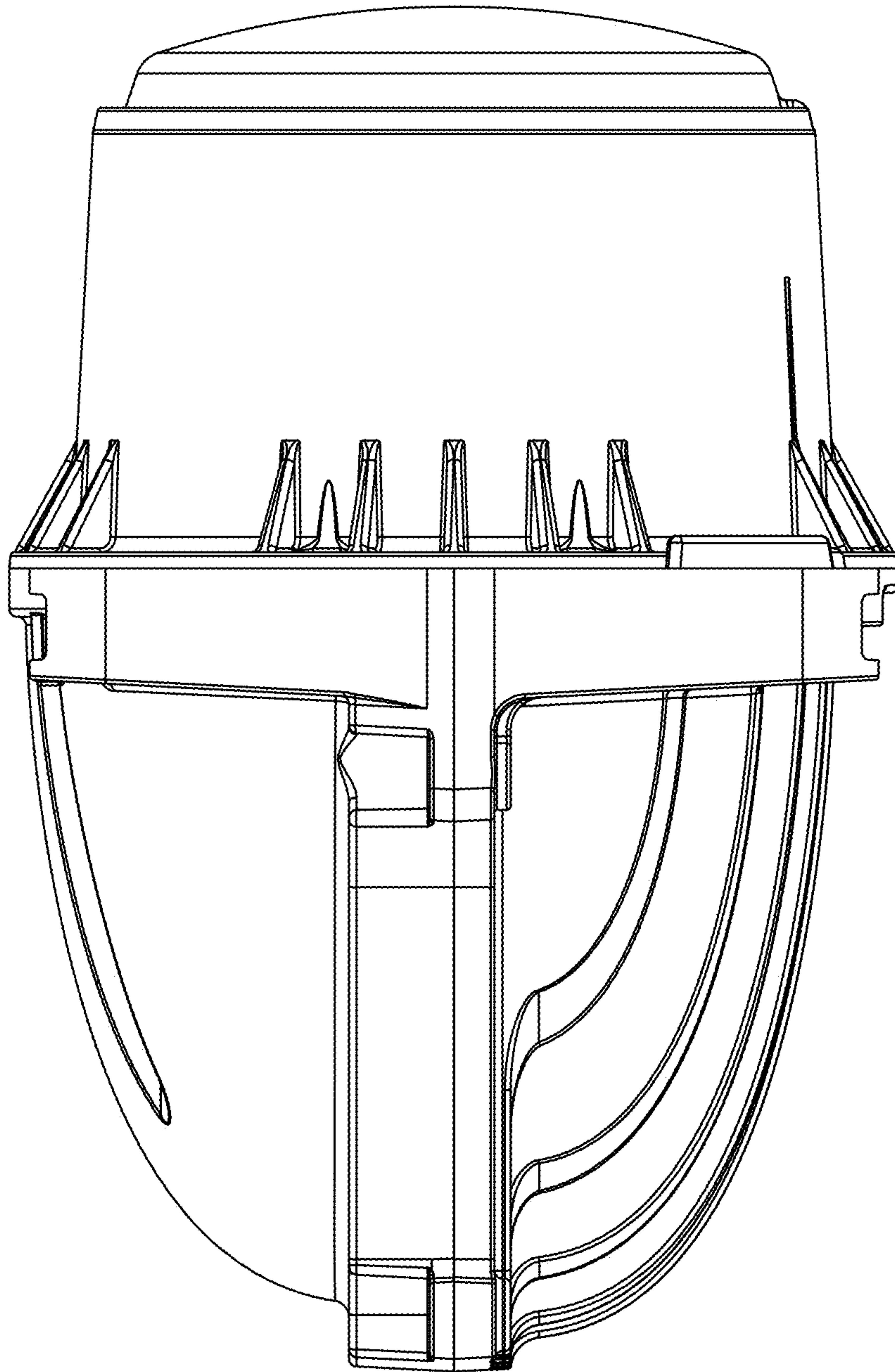


FIG. 8