



US00D928996S

(12) **United States Design Patent**
Chen

(10) **Patent No.:** **US D928,996 S**

(45) **Date of Patent:** **** Aug. 24, 2021**

(54) **HEADLAMP**

(71) Applicant: **MOTO MOTINI S.R.L.**, Trivolzio (IT)

(72) Inventor: **Huaneng Chen**, Trivolzio (IT)

(73) Assignee: **MOTO MOTINI S.R.L.**, Trivolzio (IT)

(**) Term: **15 Years**

(21) Appl. No.: **29/718,522**

(22) Filed: **Dec. 26, 2019**

(51) **LOC (13) Cl.** **26-06**

(52) **U.S. Cl.**
USPC **D26/28**

(58) **Field of Classification Search**
USPC D26/28-36, 139
CPC F21S 48/00; F21S 48/10; F21S 48/115;
F21S 48/225; F21S 48/1233; F21S
48/1266; F21S 48/1388; F21S 48/2268;
F21V 5/00; F21V 21/04; F21V 29/004;
B60Q 9/13; B60Q 9/135; B60Q 9/1375
See application file for complete search history.

(56) **References Cited**

U.S. PATENT DOCUMENTS

D528,685 S * 9/2006 Yoshida D26/28
D544,114 S * 6/2007 Ohta D26/28

D554,280 S * 10/2007 Chen D26/35
D708,366 S * 7/2014 Minamisawa D26/28
D726,353 S * 4/2015 Yagihashi D26/28
D745,723 S * 12/2015 Yoshida D26/28
D782,711 S * 3/2017 Dunshee D26/28
D797,327 S * 9/2017 Deyaf D26/28
D799,728 S * 10/2017 Whitla D26/28
D821,619 S * 6/2018 Amemiya D26/28
D825,799 S * 8/2018 Haizuka D26/28

* cited by examiner

Primary Examiner — Marcus A Jackson

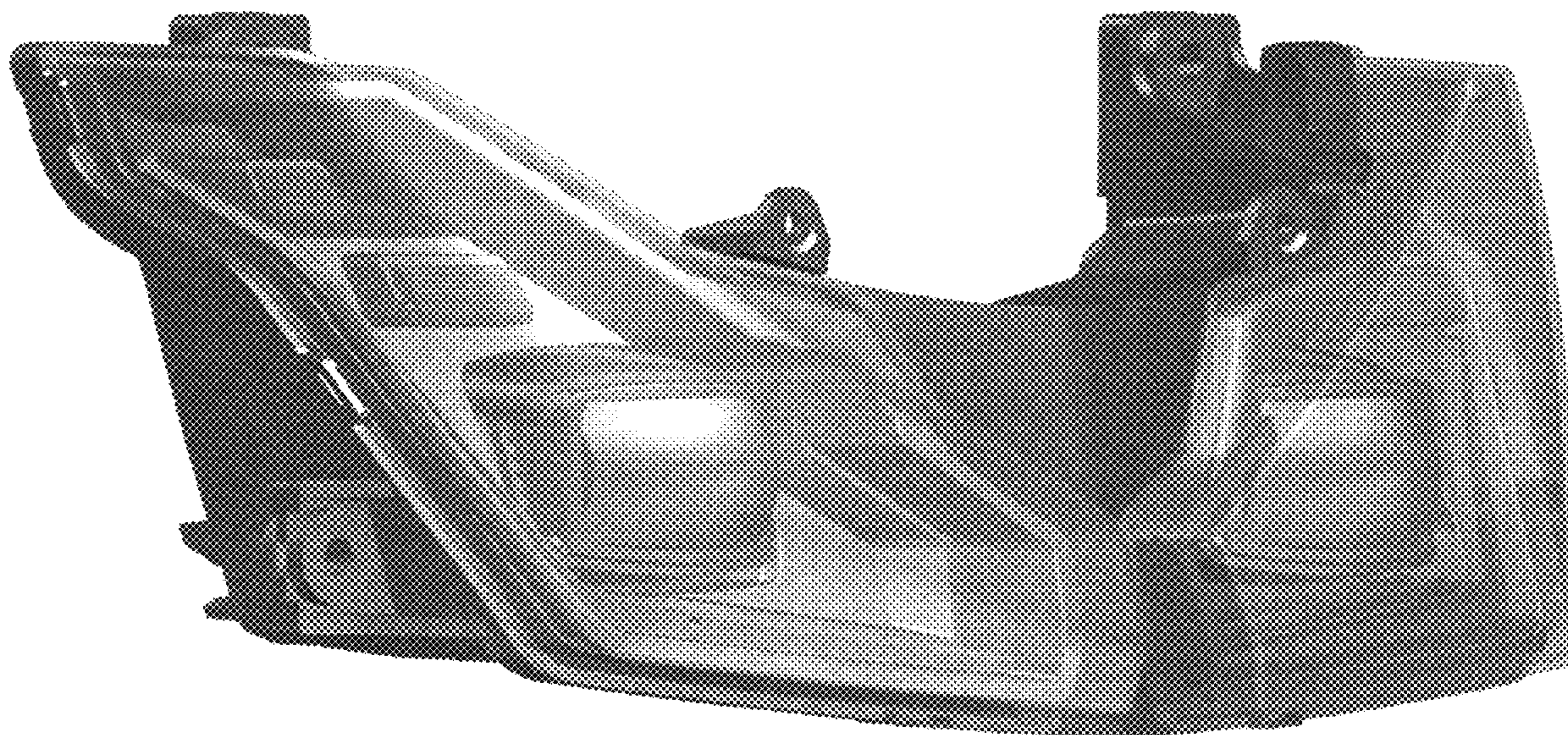
(57) **CLAIM**

The ornamental design for a headlamp, as shown and described.

DESCRIPTION

FIG. 1 is a perspective view of a headlamp showing my new design;
FIG. 2 is a front elevational view thereof;
FIG. 3 is a rear elevational view thereof;
FIG. 4 is a left side elevational view thereof;
FIG. 5 is a right side elevational view thereof;
FIG. 6 is a top plan view thereof; and,
FIG. 7 is a bottom plan view thereof.

1 Claim, 7 Drawing Sheets



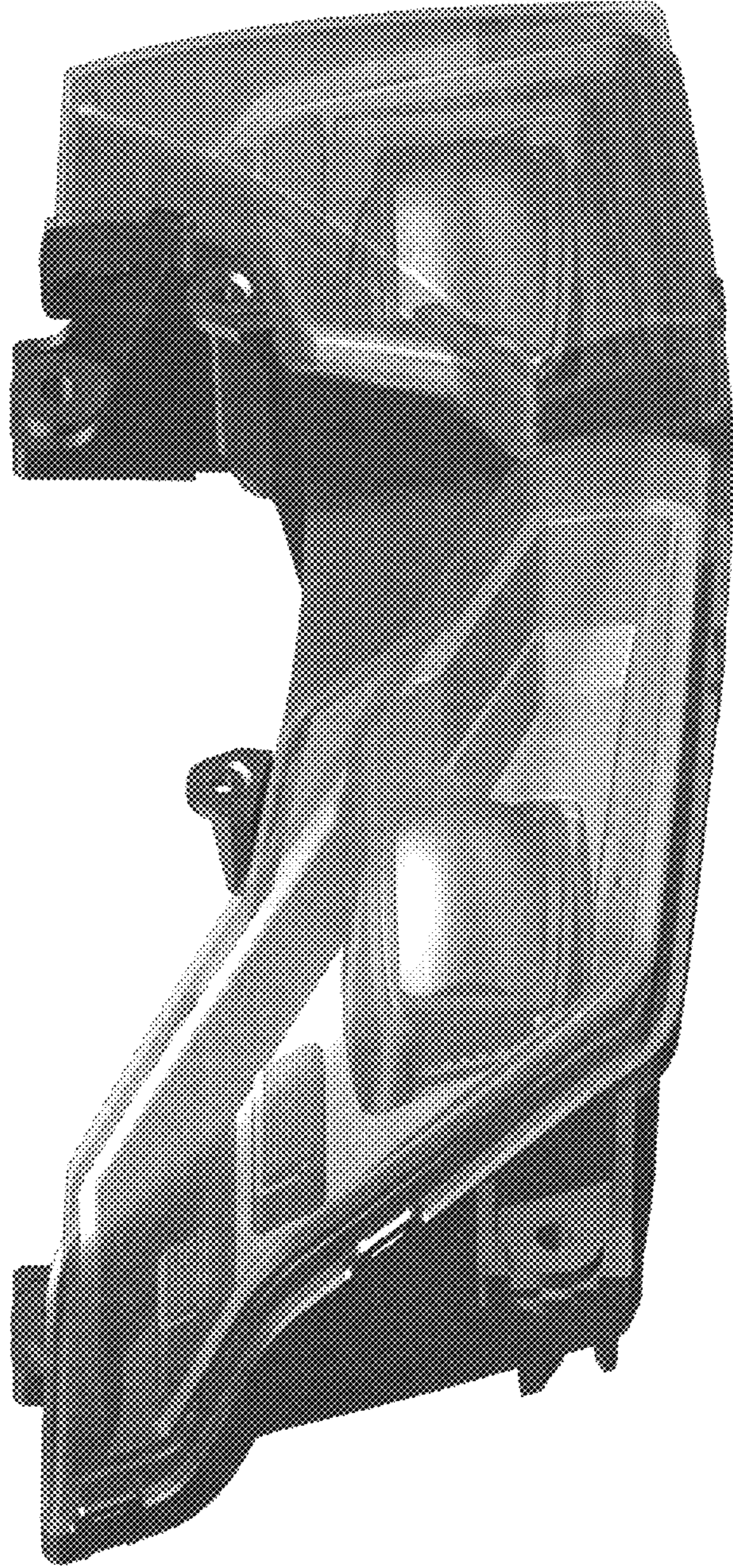


FIG. 1

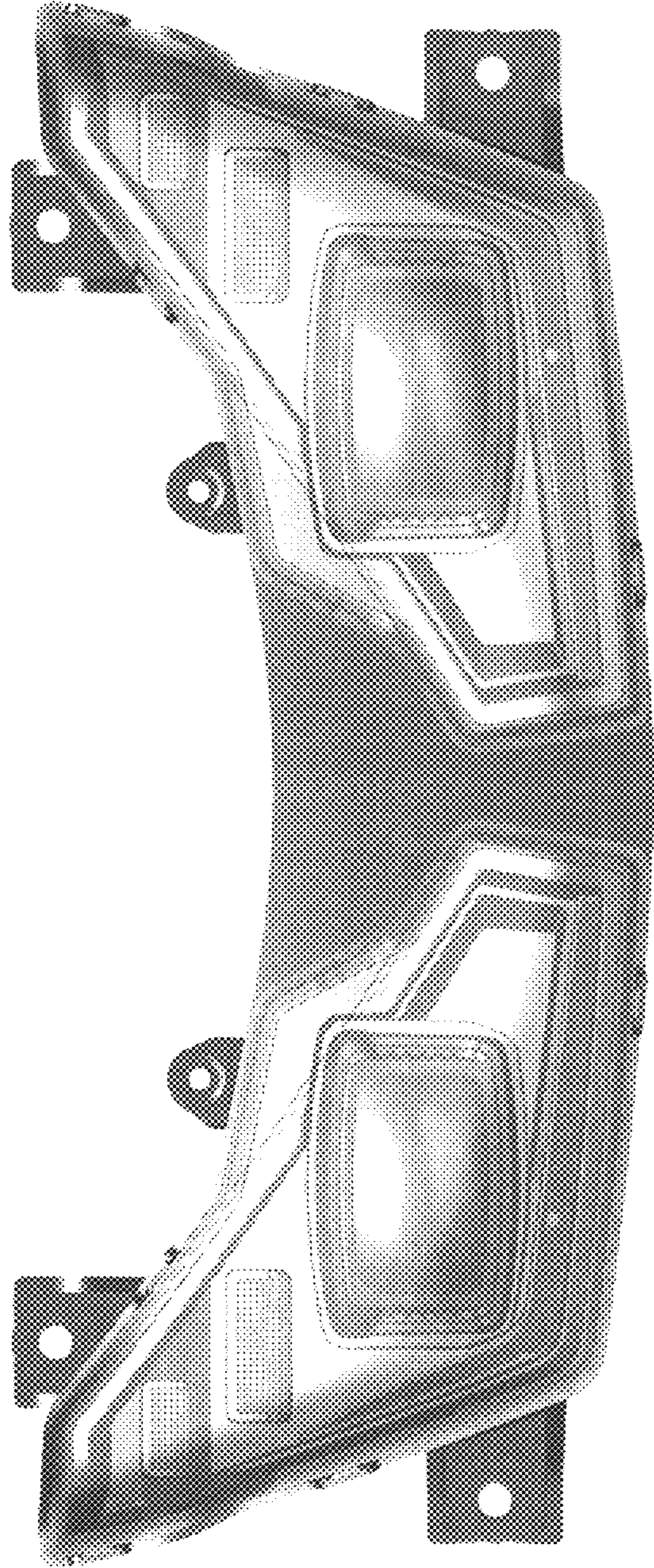


FIG. 2

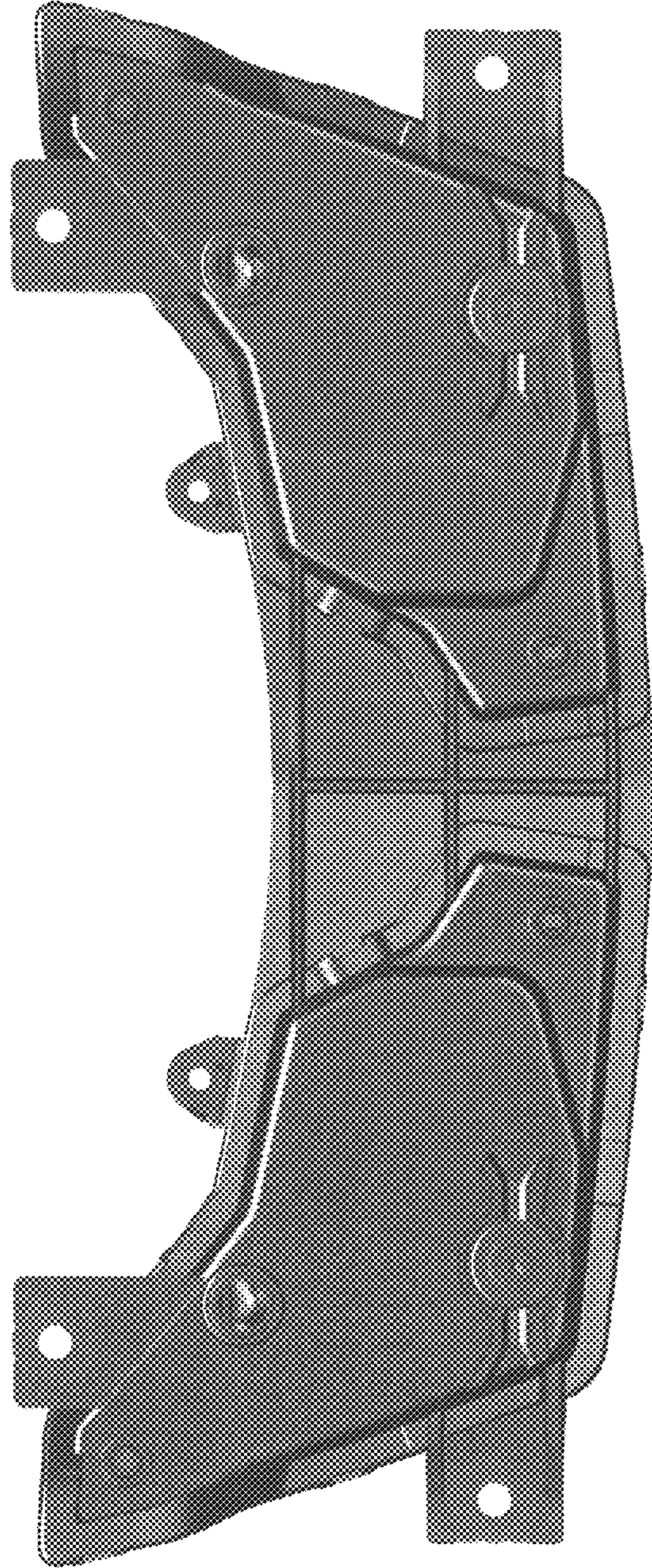


FIG. 3

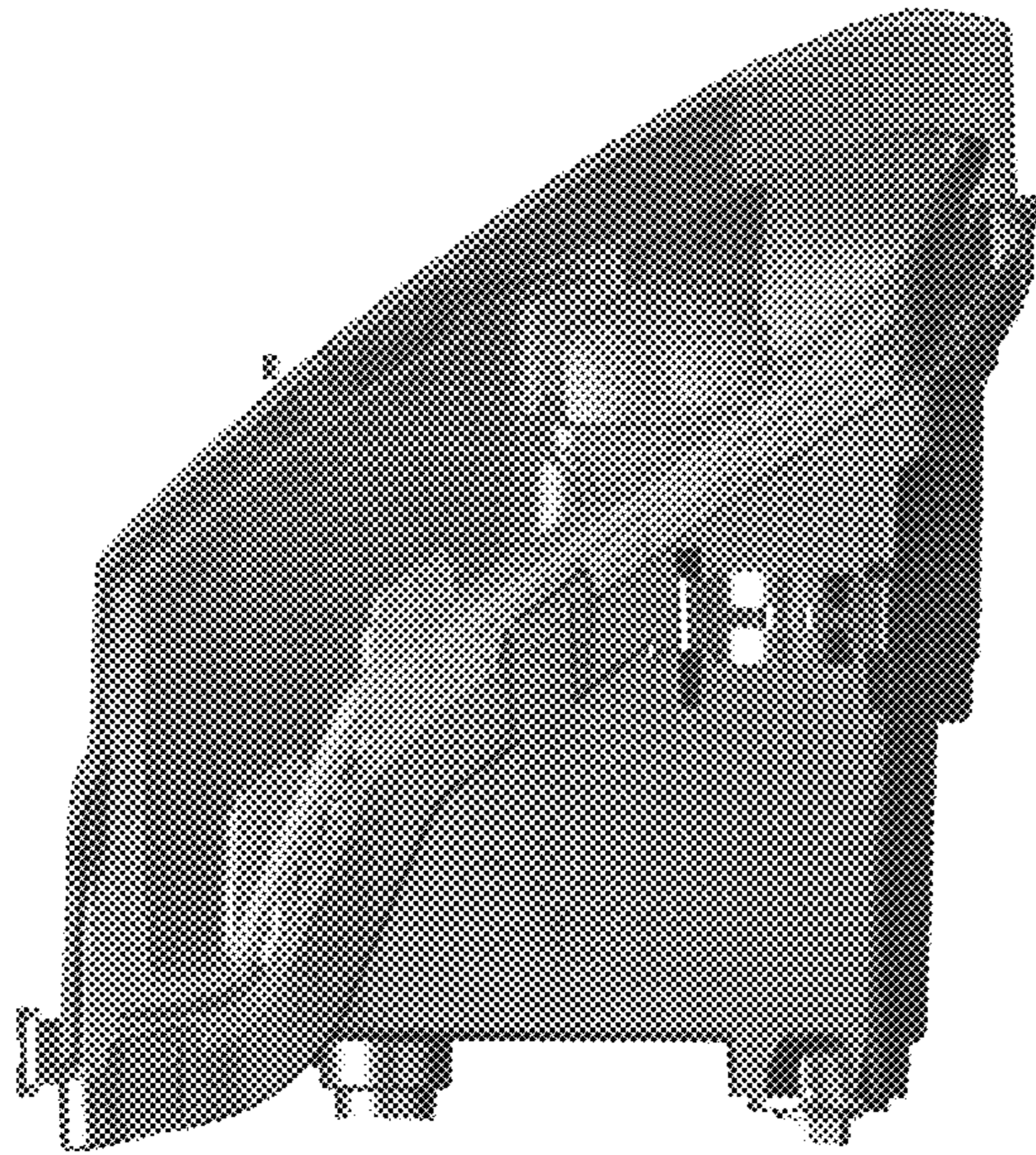


FIG. 4

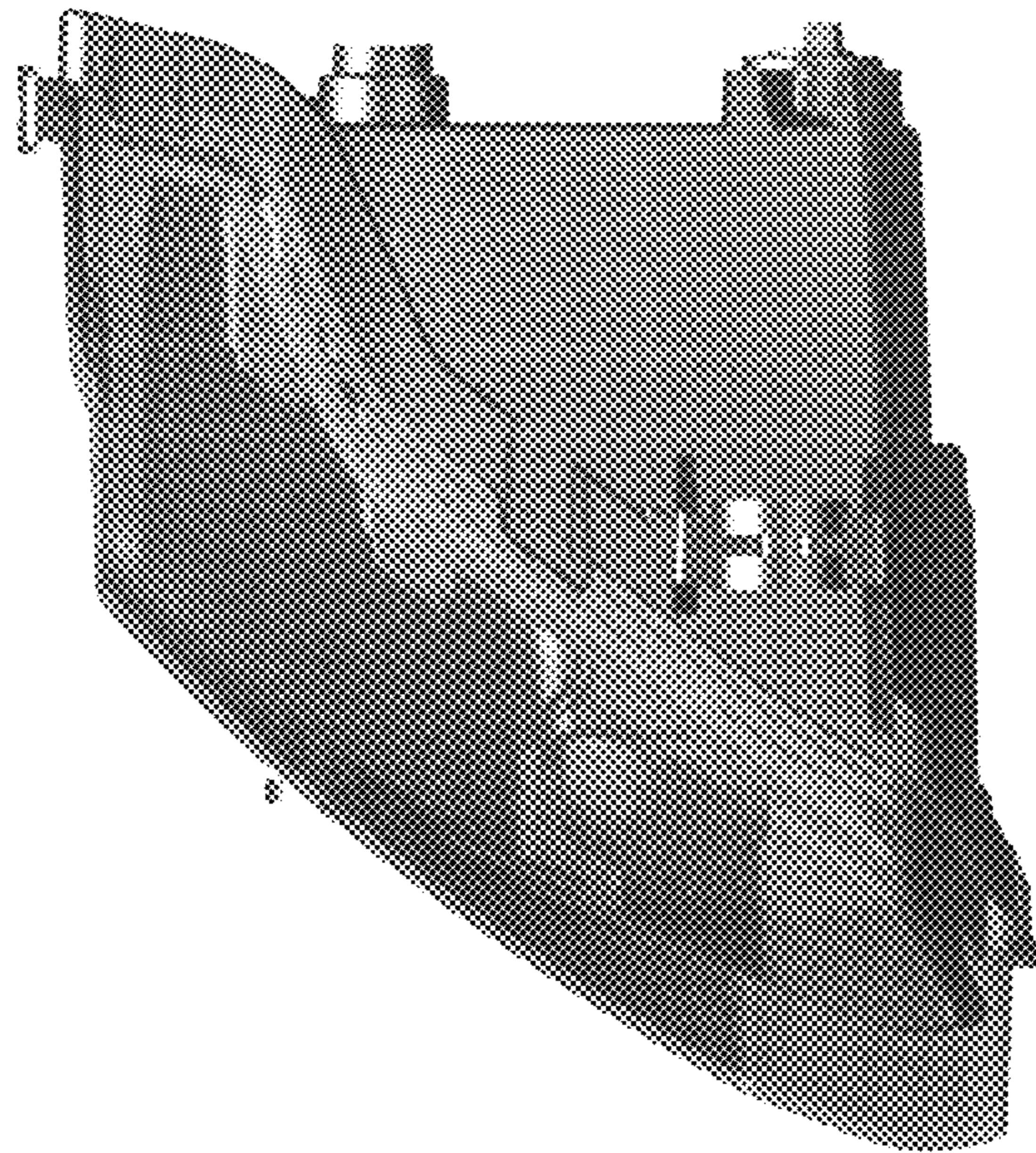


FIG. 5

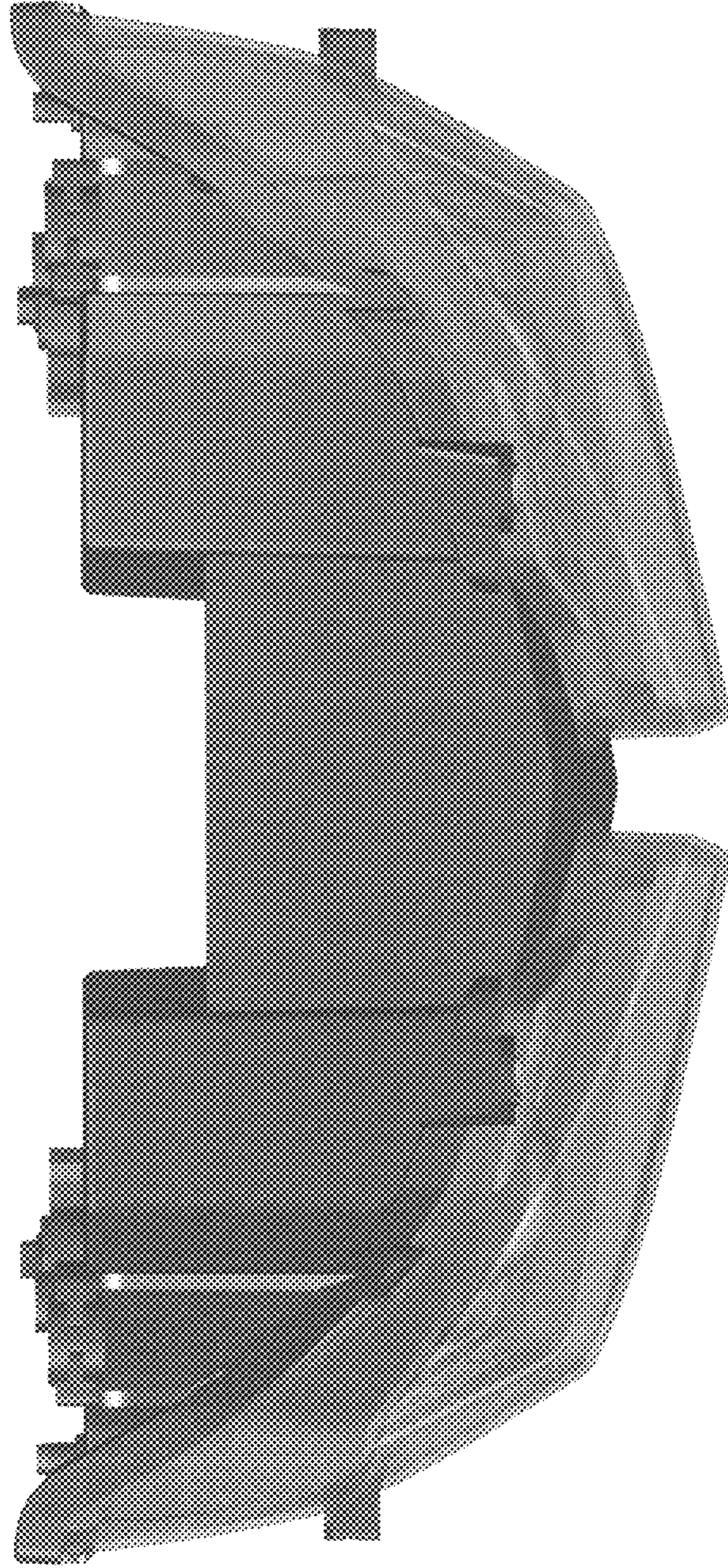


FIG. 6

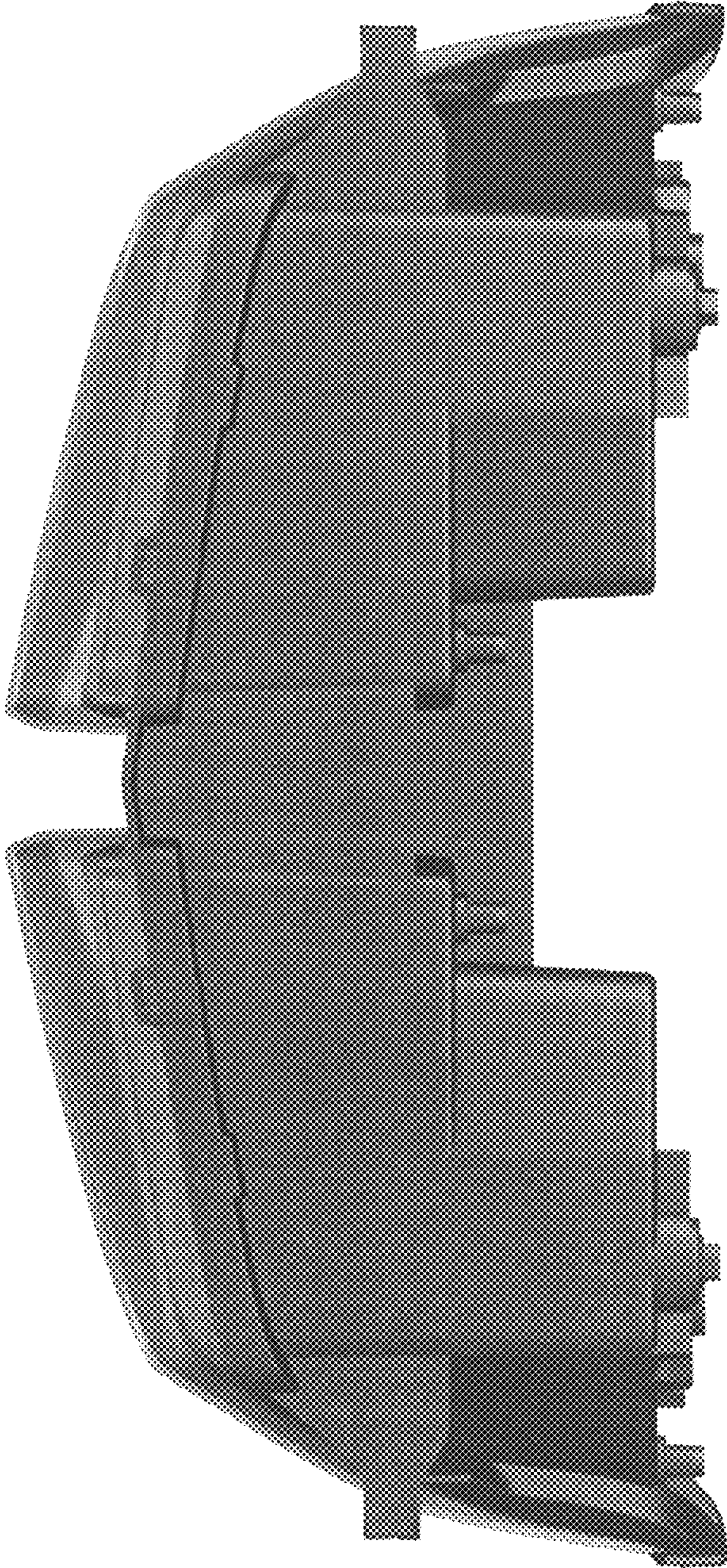


FIG. 7