



US00D928994S

(12) **United States Design Patent** (10) **Patent No.:** **US D928,994 S**
Chen et al. (45) **Date of Patent:** **** Aug. 24, 2021**

- (54) **STREET LIGHT**
- (71) Applicant: **XIAMEN ECO LIGHTING CO., LTD.**, Fujian (CN)
- (72) Inventors: **Huaye Chen**, Fujian (CN); **Lirong Chen**, Fujian (CN)
- (73) Assignee: **XIAMEN ECO LIGHTING CO., LTD.**, Fujian (CN)
- (**) Term: **15 Years**
- (21) Appl. No.: **29/701,486**
- (22) Filed: **Aug. 12, 2019**
- (51) **LOC (13) Cl.** **26-04**
- (52) **U.S. Cl.**
USPC **D26/2; D26/71**
- (58) **Field of Classification Search**
USPC D26/63, 71, 72, 92, 118, 2, 26
CPC .. F21S 9/037; F21S 8/033; F21S 8/036; F21S 8/085; F21S 8/086; F21W 2131/103; F21W 2131/107; F21V 29/745; F21V 29/76; F21V 29/763; F21V 29/767; F21V 29/77; F21V 29/777; F21V 29/773
See application file for complete search history.

D862,746 S *	10/2019	Cai	D26/2
D892,362 S *	8/2020	Chen	D26/2
2015/0362172 A1 *	12/2015	Gabriel	F21V 11/16 348/151
2018/0238505 A1 *	8/2018	Cartmill	F21K 9/69
2018/0306414 A1 *	10/2018	Chuang	F21V 3/049
2020/0260562 A1 *	8/2020	Vendetti	H05B 47/19
2021/0140621 A1 *	5/2021	Wang	F21V 23/009

OTHER PUBLICATIONS

Rugged Grade 14,900 Lumen LED Bulb—115watt—E39 4000K—Replacement for 400watt Metal Halide Bulb, ASIN: B01N9GZ5IS, available at amazon.com Dec. 12, 2016. (Year: 2016).*

* cited by examiner

Primary Examiner — Clare E Heflin
(74) *Attorney, Agent, or Firm* — Casimir Jones, SC;
Robert A. Goetz

(57) **CLAIM**

The ornamental design for a street light, as shown and described.

DESCRIPTION

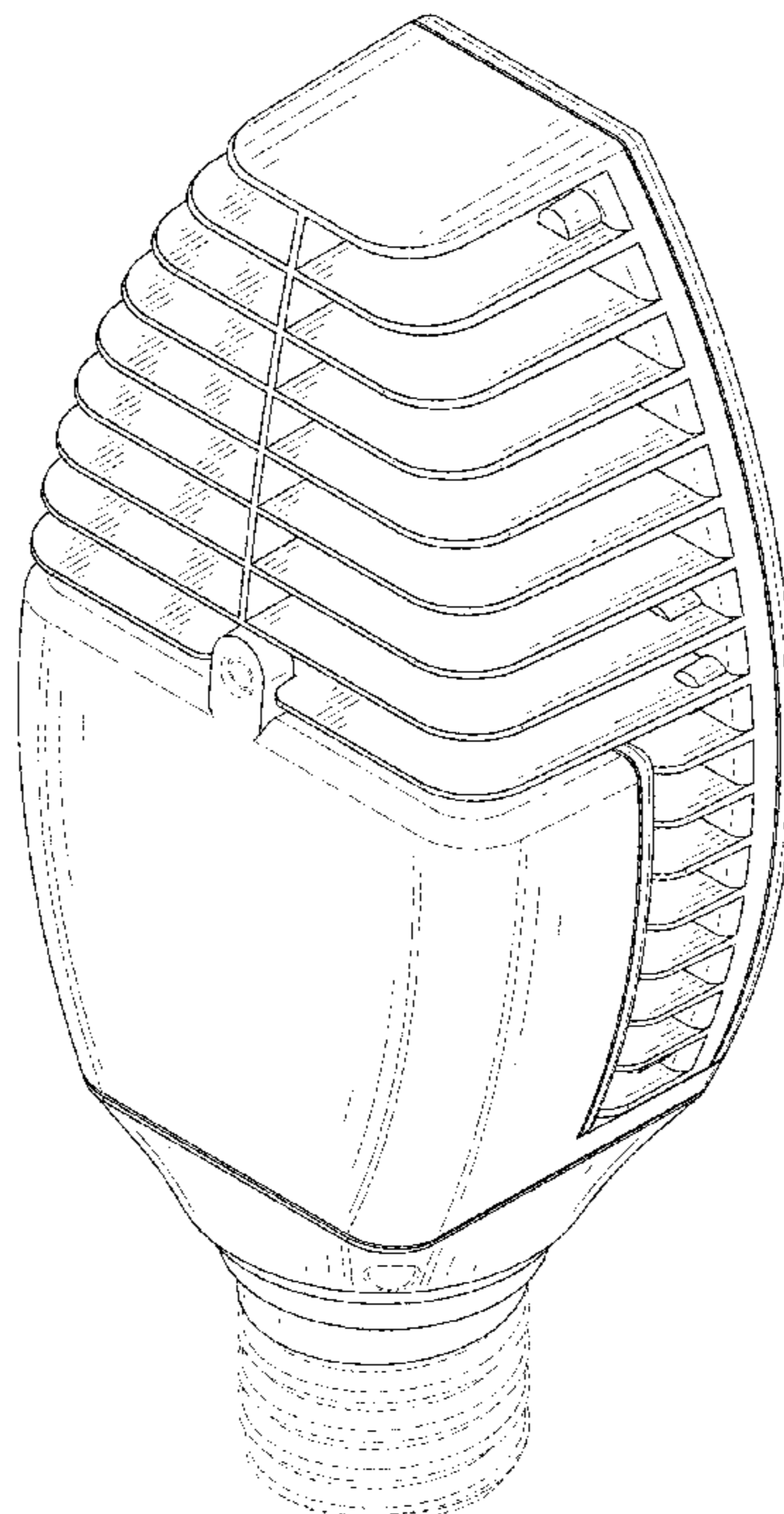
FIG. 1 is a front perspective view showing a street light, FIG. 2 is a rear perspective view thereof, FIG. 3 is a front elevational view thereof, FIG. 4 is a rear elevational view thereof, FIG. 5 is a right-side elevational view thereof, FIG. 6 is a left-side elevational view thereof, FIG. 7 is a top plan view thereof; and, FIG. 8 is a bottom plan view thereof. The broken lines shown on the drawings depict portions of the street light that form no part of the claimed design.

1 Claim, 8 Drawing Sheets

(56) **References Cited**

U.S. PATENT DOCUMENTS

D600,846 S *	9/2009	Hsu	D26/71
D622,433 S *	8/2010	Waters	D26/71
D636,518 S *	4/2011	Nevins	D26/71
D665,940 S *	8/2012	Lane	D26/71
D713,583 S *	9/2014	Yu	D26/71
D753,862 S *	4/2016	Blomqvist	D26/71



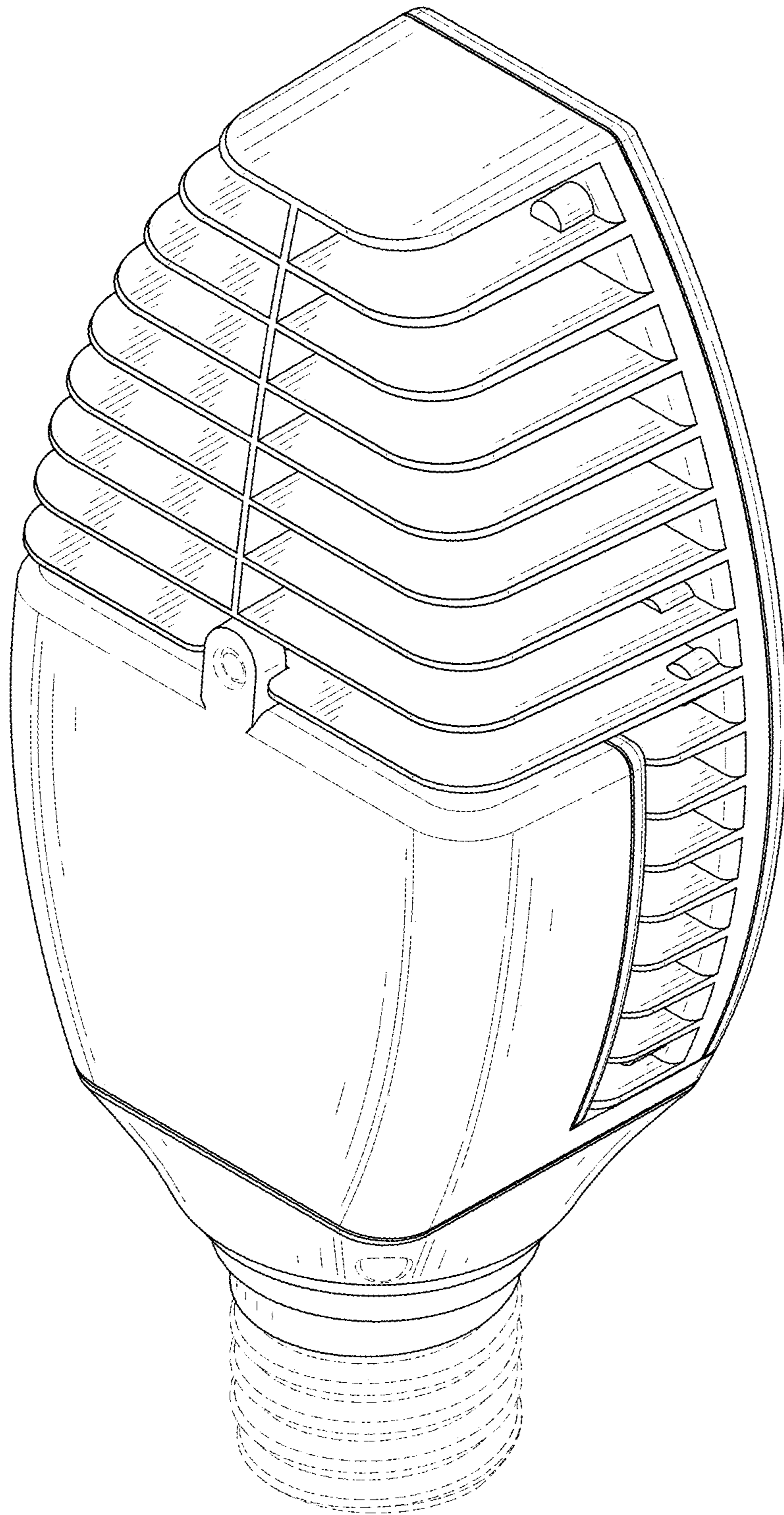


FIG. 1

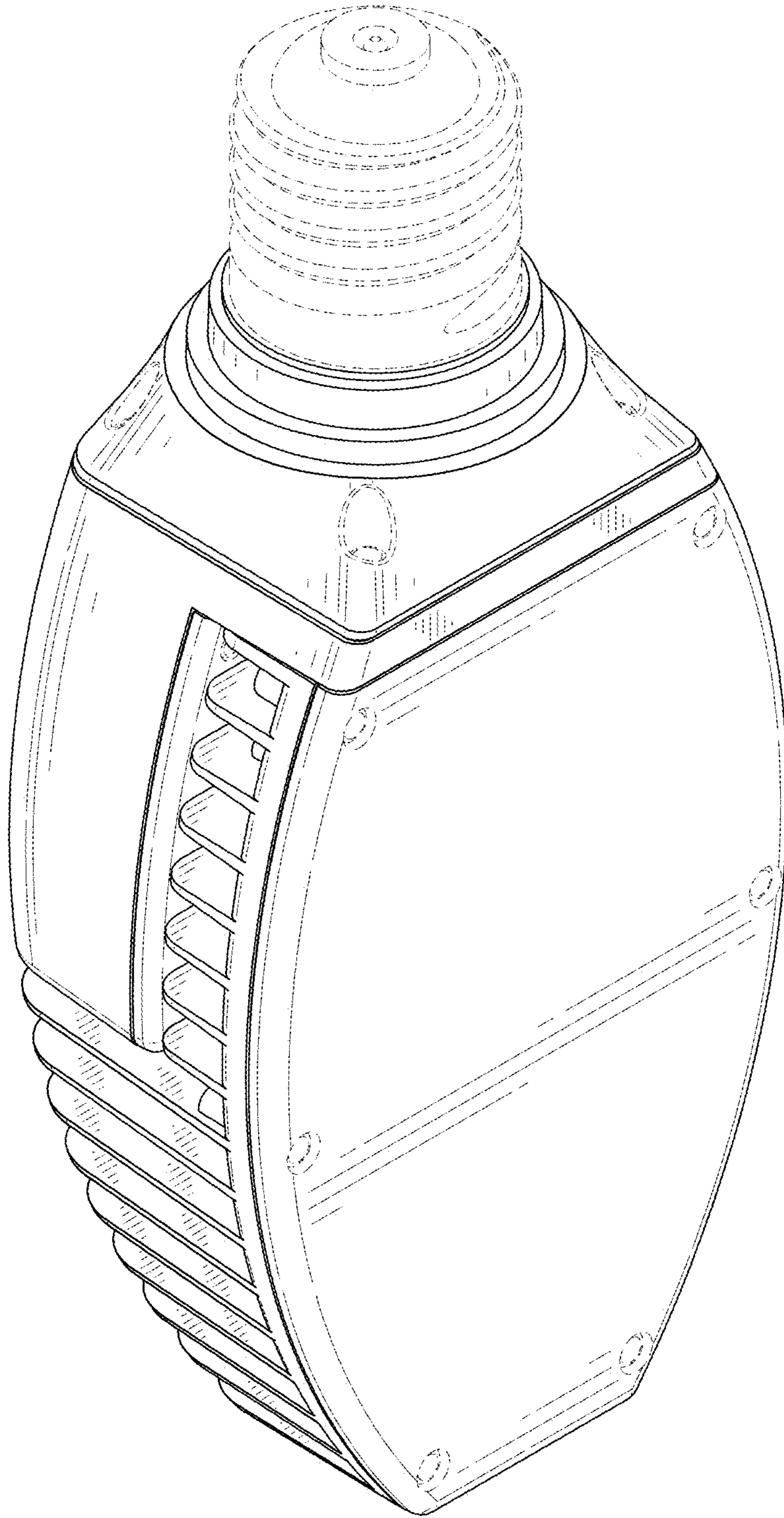


FIG. 2

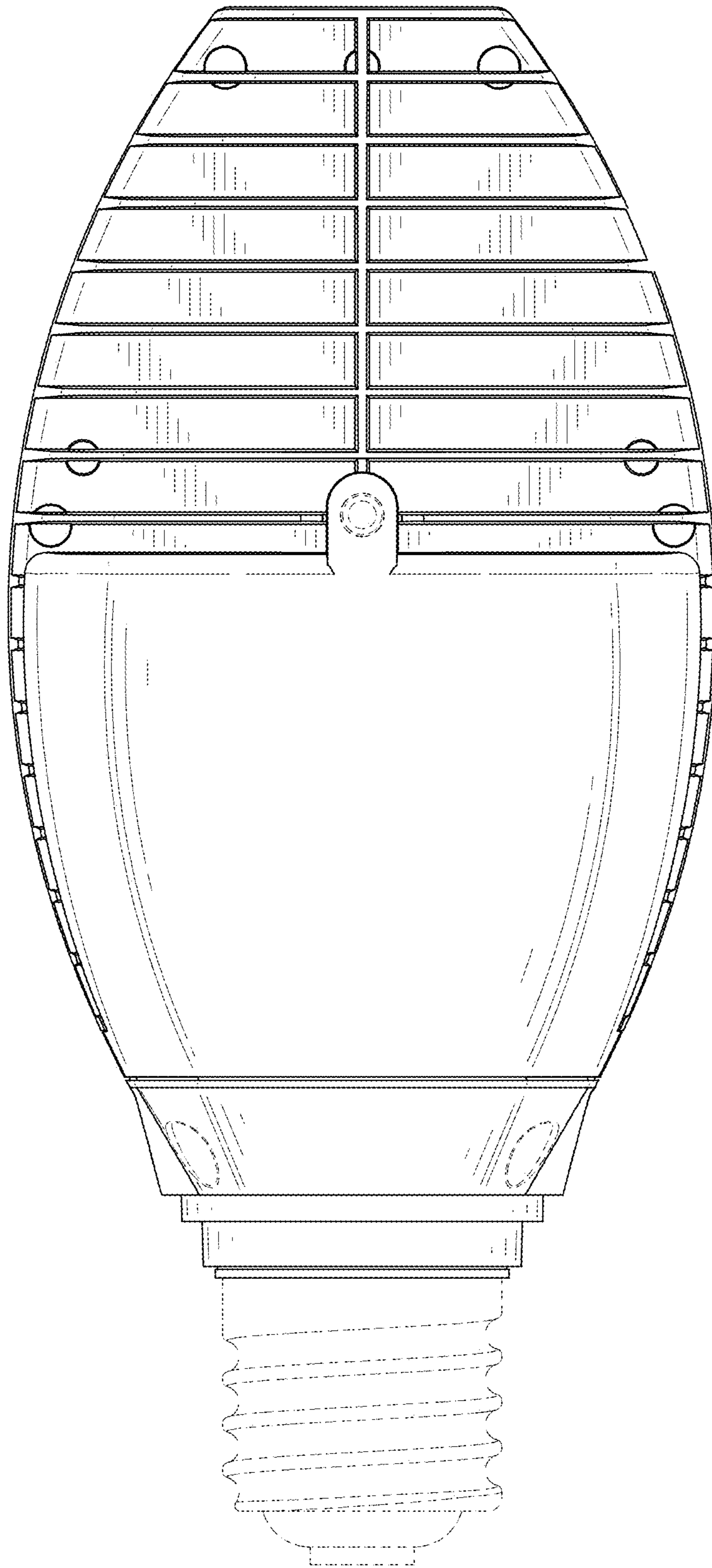


FIG. 3

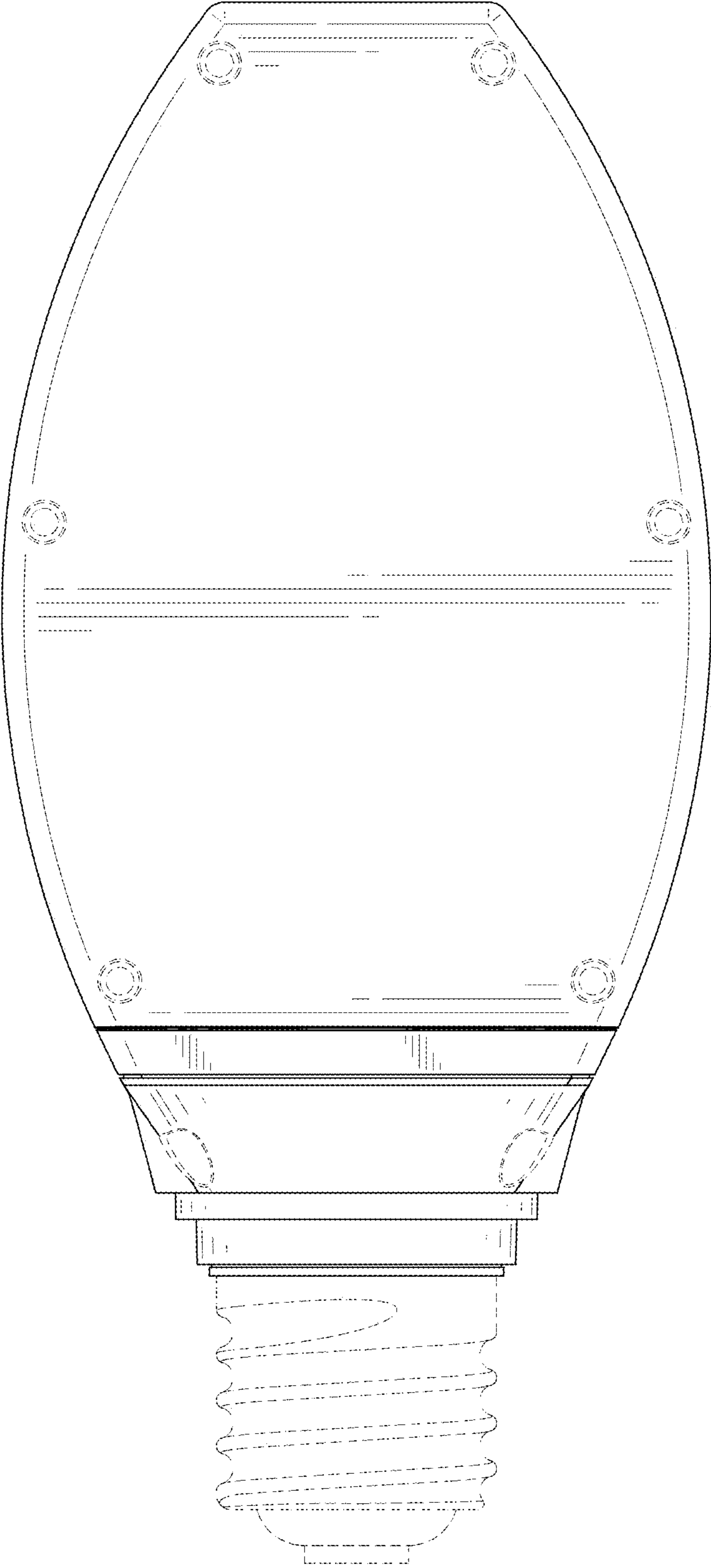


FIG. 4

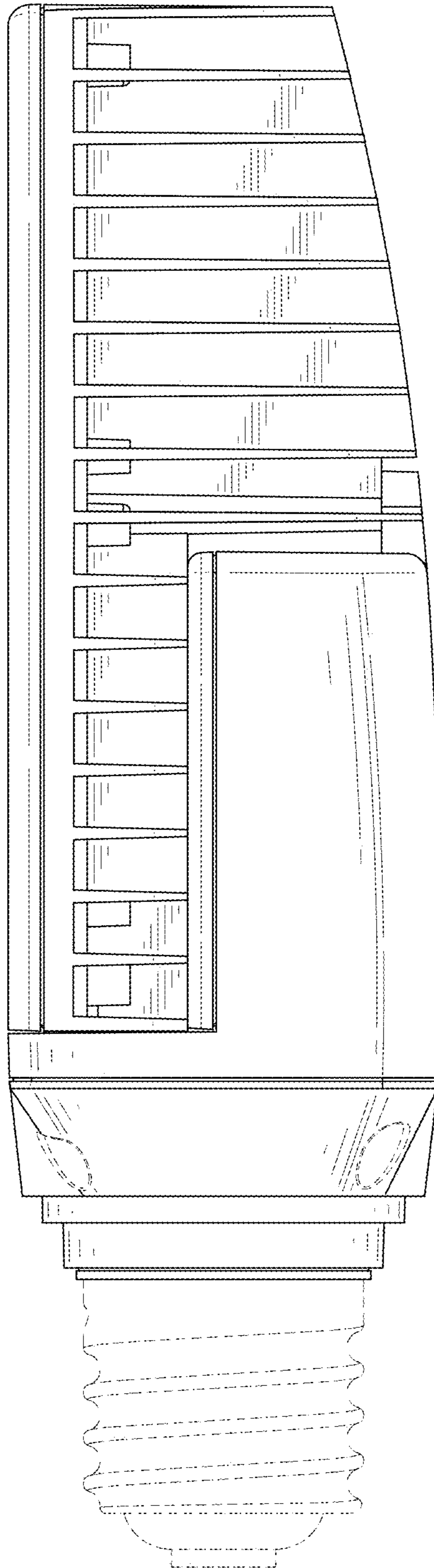


FIG. 5

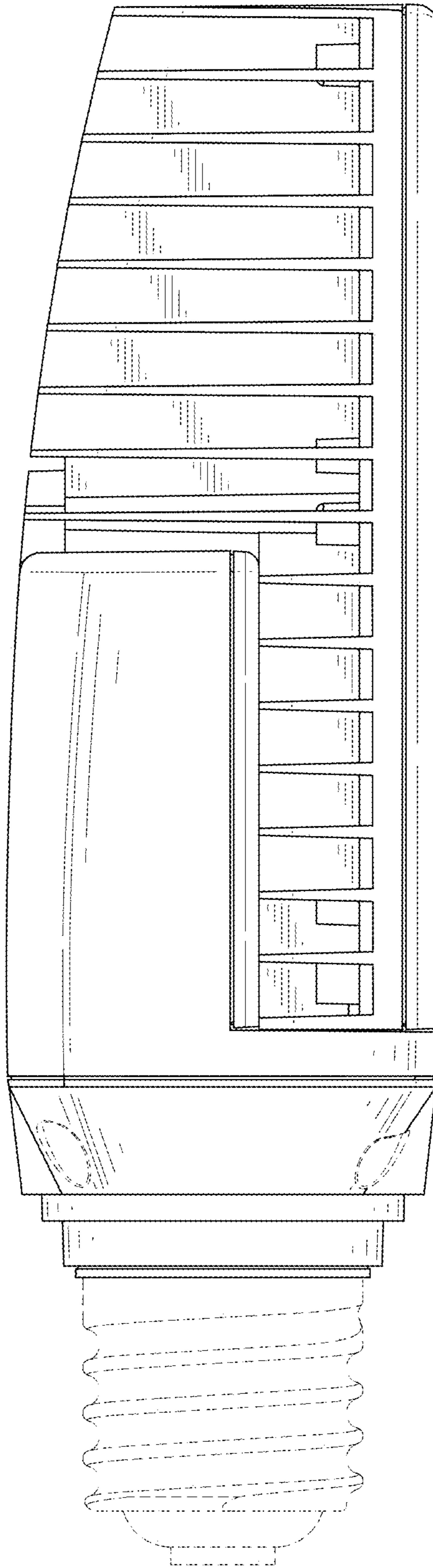


FIG. 6

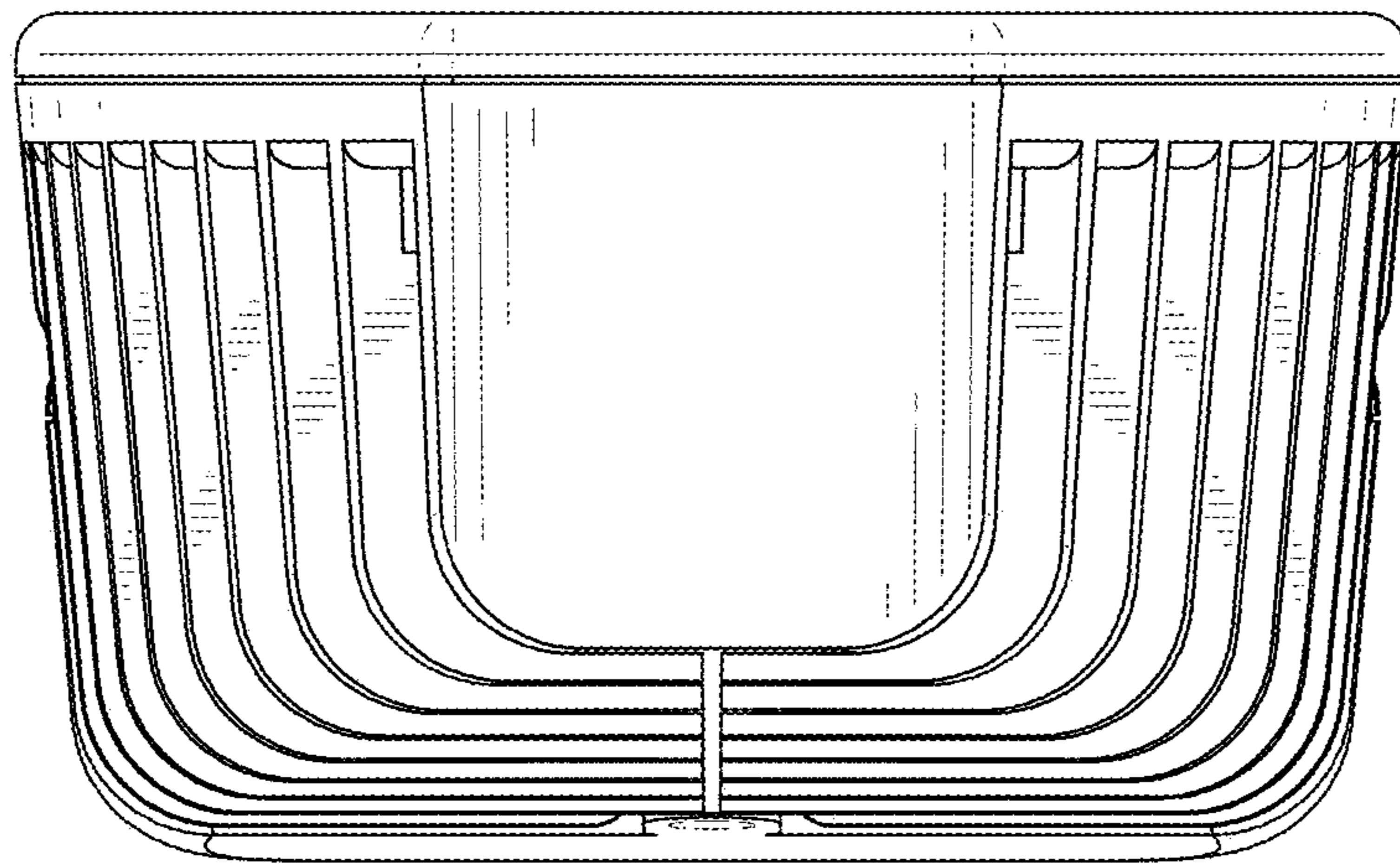


FIG. 7

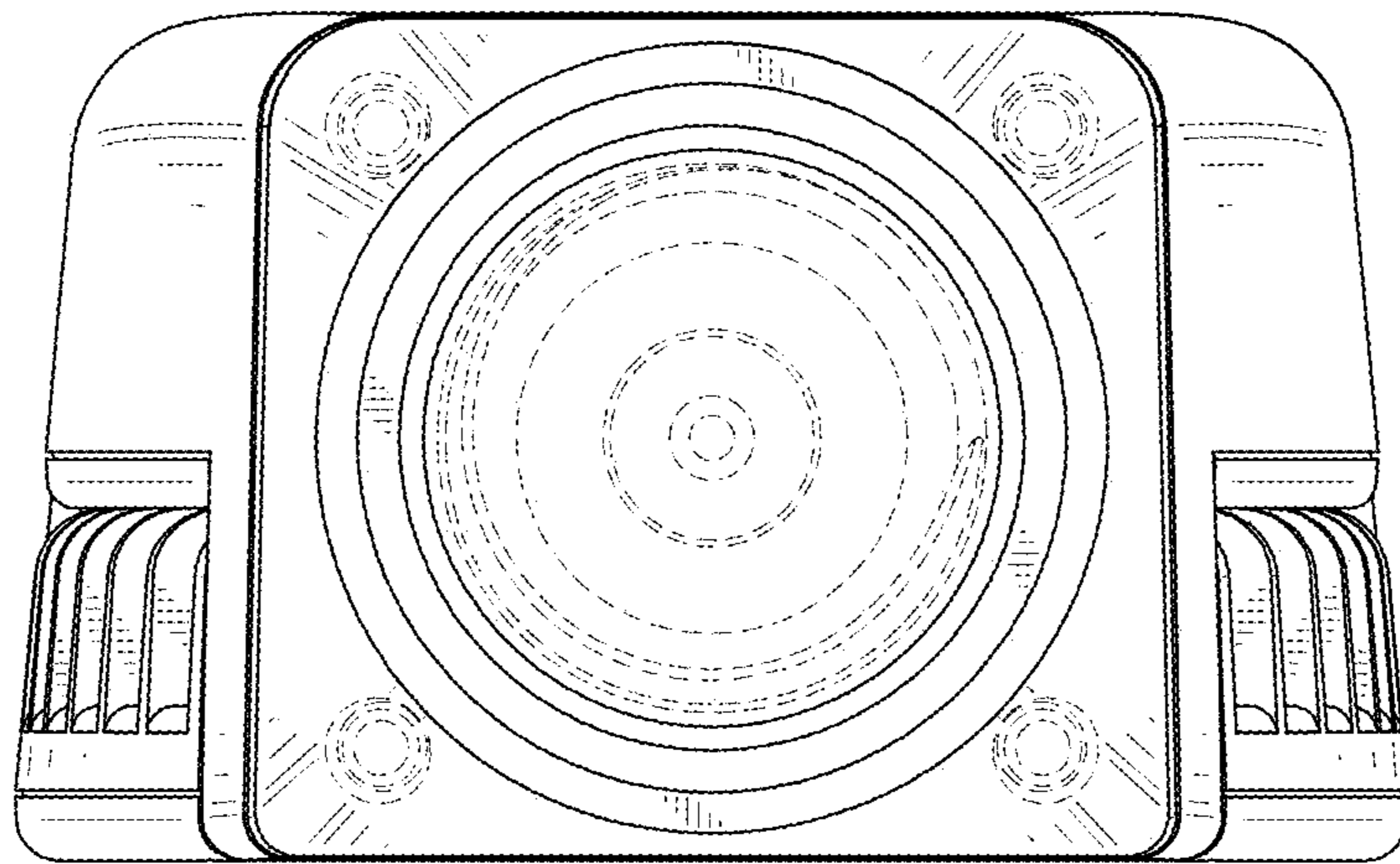


FIG. 8