



US00D928993S

(12) **United States Design Patent**  
**Jones et al.**

(10) **Patent No.:** **US D928,993 S**  
(45) **Date of Patent:** **\*\* Aug. 24, 2021**

- (54) **MODULAR FLOORING DEVICE**
- (71) Applicant: **Signature Systems Group, LLC**,  
Flower Mound, TX (US)
- (72) Inventors: **Chad H Jones**, Frisco, TX (US);  
**Andrew Sneeringer**, St. Cloud, FL  
(US); **Andrew Wolff**, Livonia, MI  
(US); **Daniel Himes**, Shelby, MI (US);  
**Bart Berghuis**, Rockledge, FL (US)
- (73) Assignee: **Signature Systems Group, LLC**,  
Flower Mound, TX (US)
- (\*\*) Term: **15 Years**
- (21) Appl. No.: **29/663,830**
- (22) Filed: **Sep. 19, 2018**

3,964,221 A	6/1976	Berquist
4,198,795 A	4/1980	Barnidge
4,436,779 A	3/1984	Menconi et al.
4,468,910 A	9/1984	Morrison
4,629,358 A	12/1986	Springston
4,840,825 A	6/1989	Aristodimou
4,988,131 A	1/1991	Wilson et al.
5,364,204 A	11/1994	MacLeod
5,403,063 A	4/1995	Sjostedt et al.
5,630,304 A	5/1997	Austin
5,653,551 A	8/1997	Seaux
5,833,386 A	11/1998	Rosan et al.
5,992,106 A	11/1999	Carling et al.
6,032,428 A	3/2000	Rosan et al.
6,098,354 A	8/2000	Skandis
6,220,785 B1	4/2001	Kennedy et al.
6,282,858 B1	9/2001	Swick
D456,533 S	4/2002	Moller, Jr.
6,455,127 B1	9/2002	Valtanen
6,511,257 B1	1/2003	Seaux et al.
6,564,522 B1	5/2003	Chiu-Ying
6,649,110 B1	11/2003	Seaux et al.
6,662,508 B1	12/2003	Else
6,684,582 B2	2/2004	Peart et al.
6,685,388 B2	2/2004	Webster et al.
6,695,527 B2	2/2004	Seaux
D498,307 S	11/2004	Zimmerle
6,900,547 B2	5/2005	Polk, Jr.
D515,223 S	2/2006	Geffe
7,299,592 B2	11/2007	Moller, Jr.
7,303,800 B2	12/2007	Rogers
7,401,441 B2	7/2008	Zimmerle
7,413,374 B2	8/2008	Rogers et al.
7,487,622 B2	2/2009	Wang
7,607,265 B2	10/2009	Curry et al.
7,621,092 B2	11/2009	Groeke et al.
7,779,595 B2	8/2010	Polk, Jr.
7,914,228 B2	3/2011	Rapaz
7,923,095 B2	4/2011	Polk, Jr.
8,070,471 B2	12/2011	Polk, Sr.
D667,144 S	9/2012	Else
8,414,217 B2	4/2013	Rosan
8,936,374 B1	1/2015	Royse
D727,884 S	4/2015	Fathollahi
9,010,060 B2	4/2015	Rapaz
9,212,746 B2	12/2015	McDowell
9,249,570 B2	2/2016	Jean
9,506,255 B1	11/2016	Jones
9,637,871 B2 *	5/2017	Bordelon ..... B29D 99/0057
D794,225 S *	8/2017	Jean ..... D25/163
9,879,385 B2 *	1/2018	Tabibnia ..... F24D 3/127
D821,001 S *	6/2018	Reddick ..... D25/138
10,024,075 B2 *	7/2018	McDowell ..... F16B 7/182

**Related U.S. Application Data**

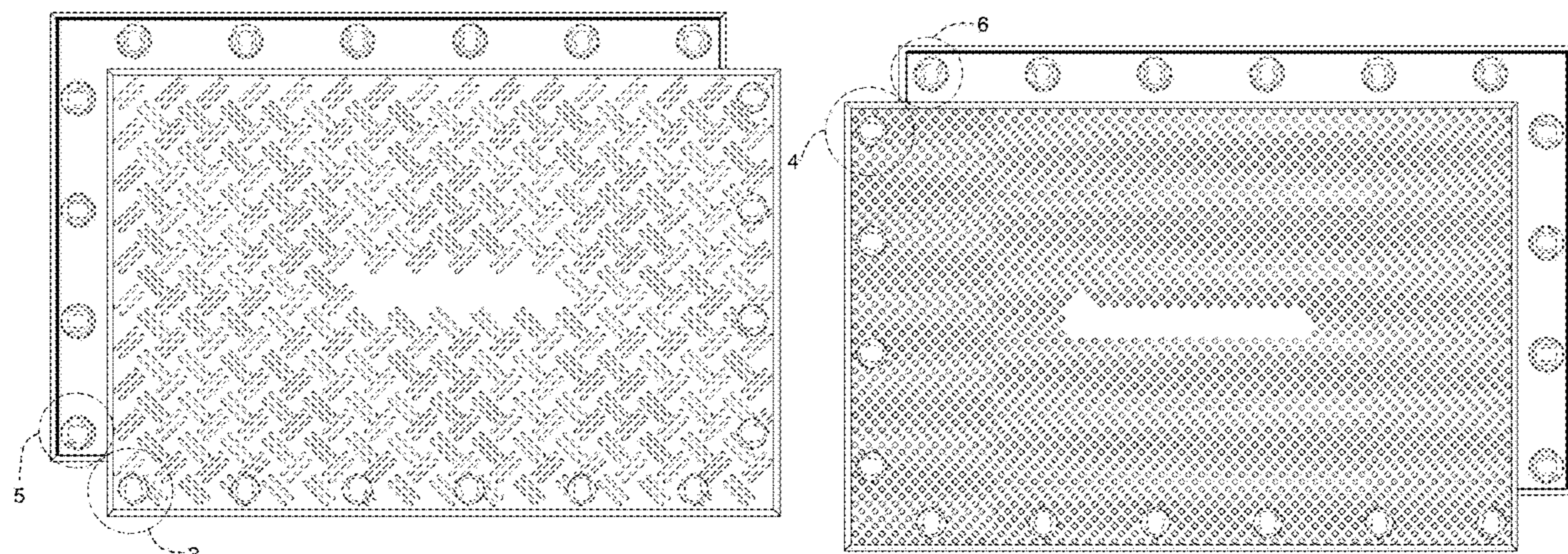
- (63) Continuation-in-part of application No. 29/543,029,  
filed on Oct. 20, 2015, now Pat. No. Des. 832,468.
- (51) **LOC (13) Cl.** ..... **25-01**
- (52) **U.S. Cl.**  
USPC ..... **D25/163**
- (58) **Field of Classification Search**  
USPC ..... D25/138-163  
CPC ..... E04G 1/15; F21V 21/02; H01R 13/648;  
E01C 5/00; E01C 5/20; E01C 9/086;  
E04F 2203/06; E04F 11/16; E04F 11/166;  
E04F 15/02022; E04F 15/02172; E04F  
15/00; E04F 15/18; E04F 15/22; E04B  
5/02; E04B 5/023

See application file for complete search history.

(56) **References Cited**

**U.S. PATENT DOCUMENTS**

1,977,496 A	10/1934	Snyder et al.
3,397,496 A	8/1968	Shons
D215,582 S	10/1969	Bogan
3,694,983 A *	10/1972	Couquet ..... B29D 99/0057 52/384



D832,468	S *	10/2018	Jones	.....	D25/163
10,156,045	B2 *	12/2018	Penland	.....	E01C 13/045
10,538,925	B2 *	1/2020	Ghelfi	.....	E04F 21/1877
D882,293	S *	4/2020	Huss	.....	D6/582
10,626,621	B2 *	4/2020	Polk, Jr.	.....	F16B 5/0225
10,639,775	B2 *	5/2020	Tilley	.....	B25B 23/10
2002/0059764	A1	5/2002	Schluter		
2003/0113162	A1	6/2003	Seaux et al.		
2004/0216250	A1	11/2004	Dumlao et al.		
2004/0258869	A1	12/2004	Walker		
2006/0070314	A1	4/2006	Jenkins et al.		
2006/0265975	A1	11/2006	Geffe		
2007/0079569	A1	4/2007	Curry et al.		
2007/0102243	A1	5/2007	Ruminski		
2007/0113492	A1	5/2007	Dickey et al.		
2007/0137129	A1	6/2007	Sondermann		
2007/0261317	A1	11/2007	Moller, Jr.		
2008/0127593	A1	6/2008	Janesky		
2009/0165414	A1	7/2009	Burk		
2009/0308002	A1	12/2009	Curry et al.		
2011/0023389	A1	2/2011	Myers		
2015/0096250	A1	4/2015	Lam		
2016/0301161	A1	10/2016	McDowell		
2017/0241084	A1 *	8/2017	Else	.....	E01C 5/005

FOREIGN PATENT DOCUMENTS

GB	2256023	A	11/1992
WO	WO9220885	A1	11/1992

OTHER PUBLICATIONS

MegaDeck Heavy Equipment Mats—Signature Systems (on-line), dated Apr. 28, 2011. Retrieved from Internet Nov. 19, 2020, URL: [https://www.youtube.com/watch?v=Oic8rA8jv\\_A](https://www.youtube.com/watch?v=Oic8rA8jv_A) (1 page) (Year: 2011).\*

MegaDeck Photos—Protective Matting & Temporary Roadway Gallery (on-line), dated Sep. 26, 2011. Retrieved from Internet Apr. 4, 2017, URL: <https://web.archive.org/web/20110926113010/http://www.megadeckrigmats.com/megadeck-gallery.php> (3 pages).

MegaDeck HD—Rig Mat Systems (on-line), dated Jun. 25, 2016. Retrieved from Internet Apr. 4, 2017, URL: <https://web.archive.org/web/20160625003824/http://www.megadeckrigmats.com/what-is-megadeck.php> (3 pages).

SignaRoad—The Most Versatile mat on the Market (on-line), dated May 13, 2016. Retrieved from Internet Apr. 4, 2017, URL <https://web.archive.org/web/20160513120056/http://www.megadeckrigmats.com/SignaRoad.php> (3 pages).

Matting/Portable Roadways (on-line), dated Mar. 22, 2013. Retrieved from Internet Apr. 4, 2017, URL: [https://web.archive.org/web/20130322122658/http://coleservicesnj.com/matting\\_rentals.html](https://web.archive.org/web/20130322122658/http://coleservicesnj.com/matting_rentals.html).

Rain for Rent SolidGround Traction Mats (on-line), dated Jan. 30, 2013. Retrieved from Internet Apr. 4, 2017, URL: <https://web.archive.org/web/20130130023451/http://www.rainforrent.com/SolidGroundTM-Traction-Mats.aspx> (1 page).

\* cited by examiner

*Primary Examiner* — Kimberly Barnes  
 (74) *Attorney, Agent, or Firm* — Metz Levin Brodman  
 Must O’Keefe LLC

(57) **CLAIM**

The ornamental design of a modular flooring device, as shown and described.

**DESCRIPTION**

FIG. 1 is a plan view of a first side of a modular flooring device showing our new design;

FIG. 2 is a plan view of a second side of the modular flooring device;

FIG. 3 is a detail plan view of a corner of the modular flooring device of FIG. 1;

FIG. 4 is a detail plan view of a corner of the modular flooring device of FIG. 2;

FIG. 5 is a detail plan view of a different corner of the modular flooring device of FIG. 1;

FIG. 6 is a detail plan view of a different corner of the modular flooring device of FIG. 2;

FIG. 7 is a side elevation view of the modular flooring device of FIG. 2;

FIG. 8 is a detail elevation view of FIG. 7;

FIG. 9 is a plan view of a first half of the modular flooring device shown in FIG. 1, but unassembled from a second half shown in FIG. 2;

FIG. 10 is a detail perspective view of a corner of the first half shown in FIG. 9;

FIG. 11 is a plan view of the reverse side of the first half shown in FIG. 9;

FIG. 12 is a detail perspective view of a corner of the first half shown in FIG. 11;

FIG. 13 is a plan view of the second half of the modular flooring device shown in FIG. 2, but unassembled from the first half shown in FIG. 1;

FIG. 14 is a detail perspective view of a corner of the second half shown in FIG. 13;

FIG. 15 is a plan view of the reverse side of the second half shown in FIG. 13;

FIG. 16 is a detail perspective view of a corner of the second half shown in FIG. 15;

FIG. 17 is a plan view showing three modular flooring devices from FIG. 1 partially overlapping and connected together in a position of use. Only one device is claimed; the additional occurrences are shown for clarity of illustration;

FIG. 18 is a detail perspective view of FIG. 17 where the three modular flooring devices come together, showing an exploded view of a fastener and receiver of a modular flooring device for ease of illustration. The orientation of this detail view has been rotated counter-clockwise slightly from what is shown in FIG. 17;

FIG. 19 is a further detail perspective view of FIG. 18, shown from the second side and further rotated counter-clockwise;

FIG. 20 is a plan view of a detail of the modular flooring device of FIG. 17, shown from the first side and in an unlocked position;

FIG. 21 is a plan view of the detail of FIG. 20, shown from the second side;

FIG. 22 is a plan view of a detail of FIG. 20, shown from the first side and in a locked position; and,

FIG. 23 is a plan view of the detail of FIG. 22, shown from the second side.

The broken lines in the Figures depict portions of the modular flooring device that form no part of the claimed design.

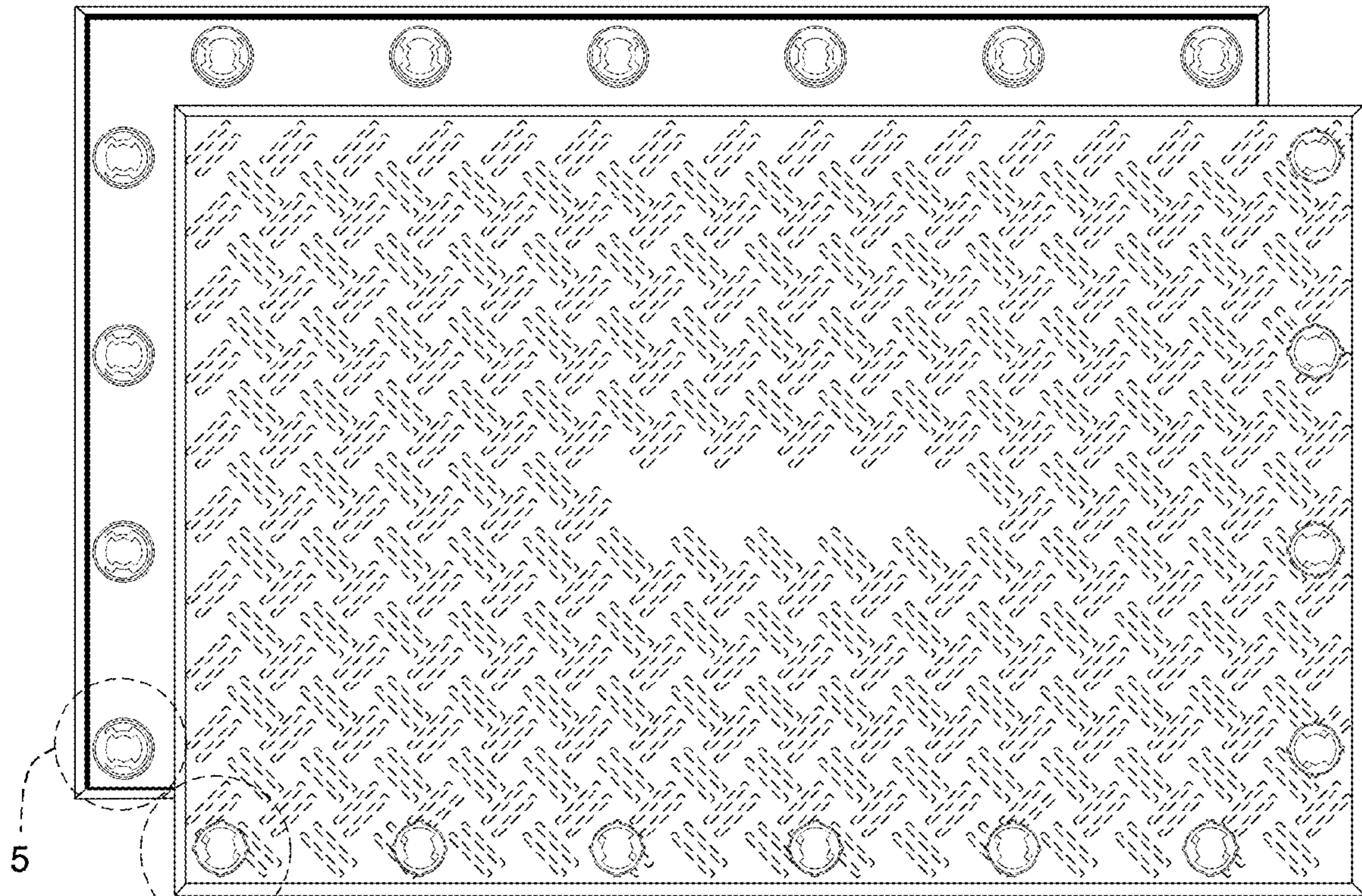


FIG. 1

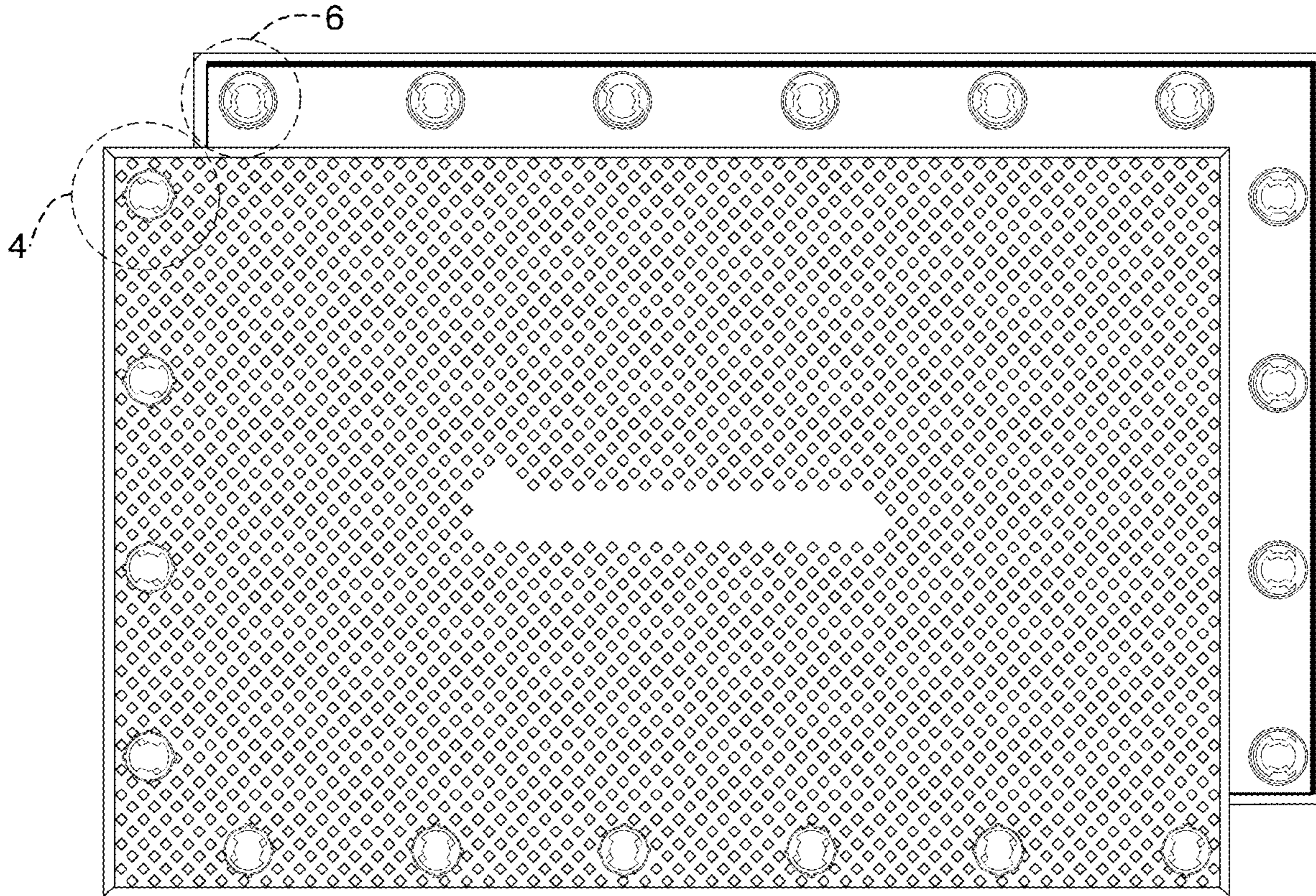


FIG. 2

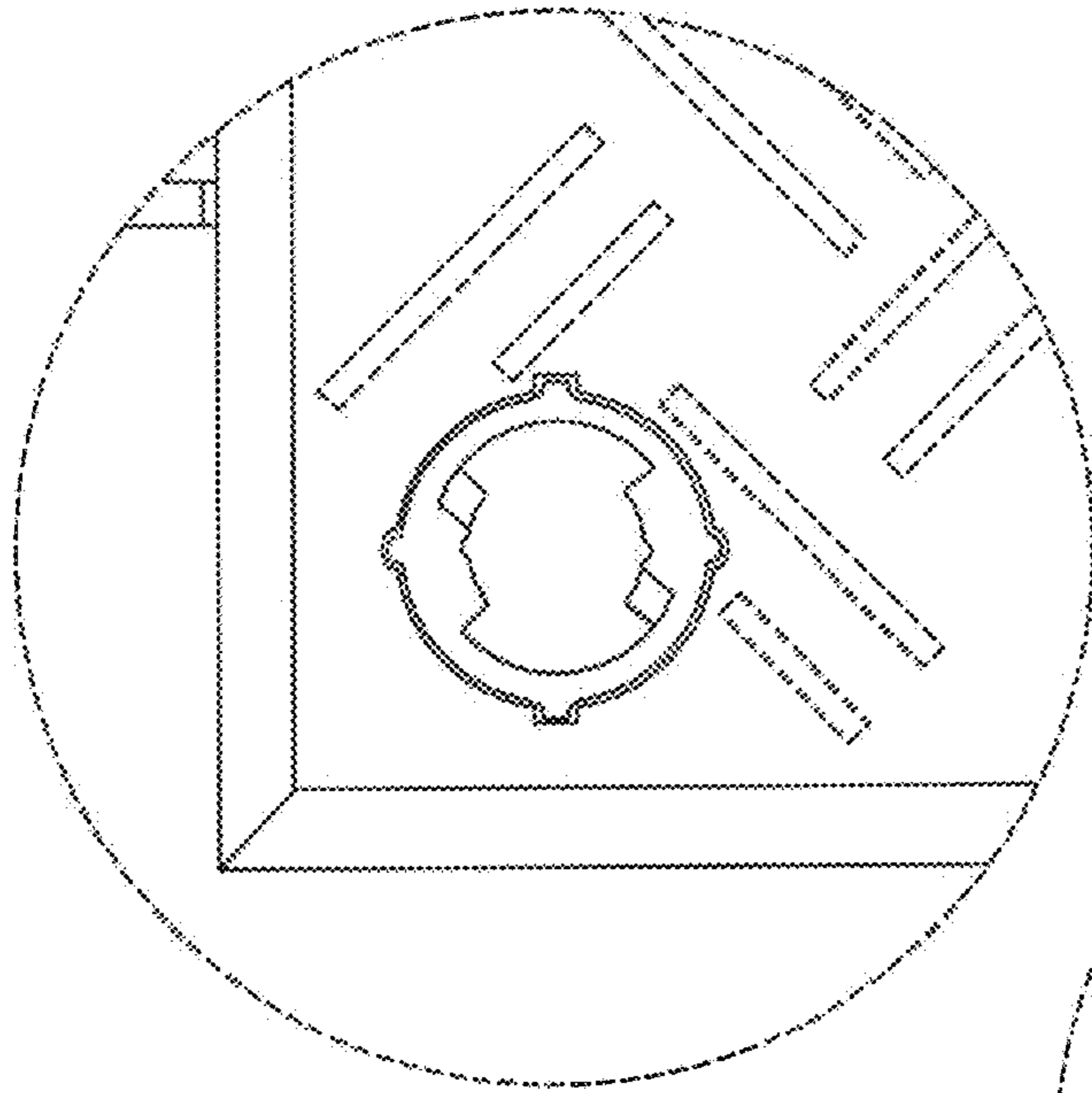


FIG. 3

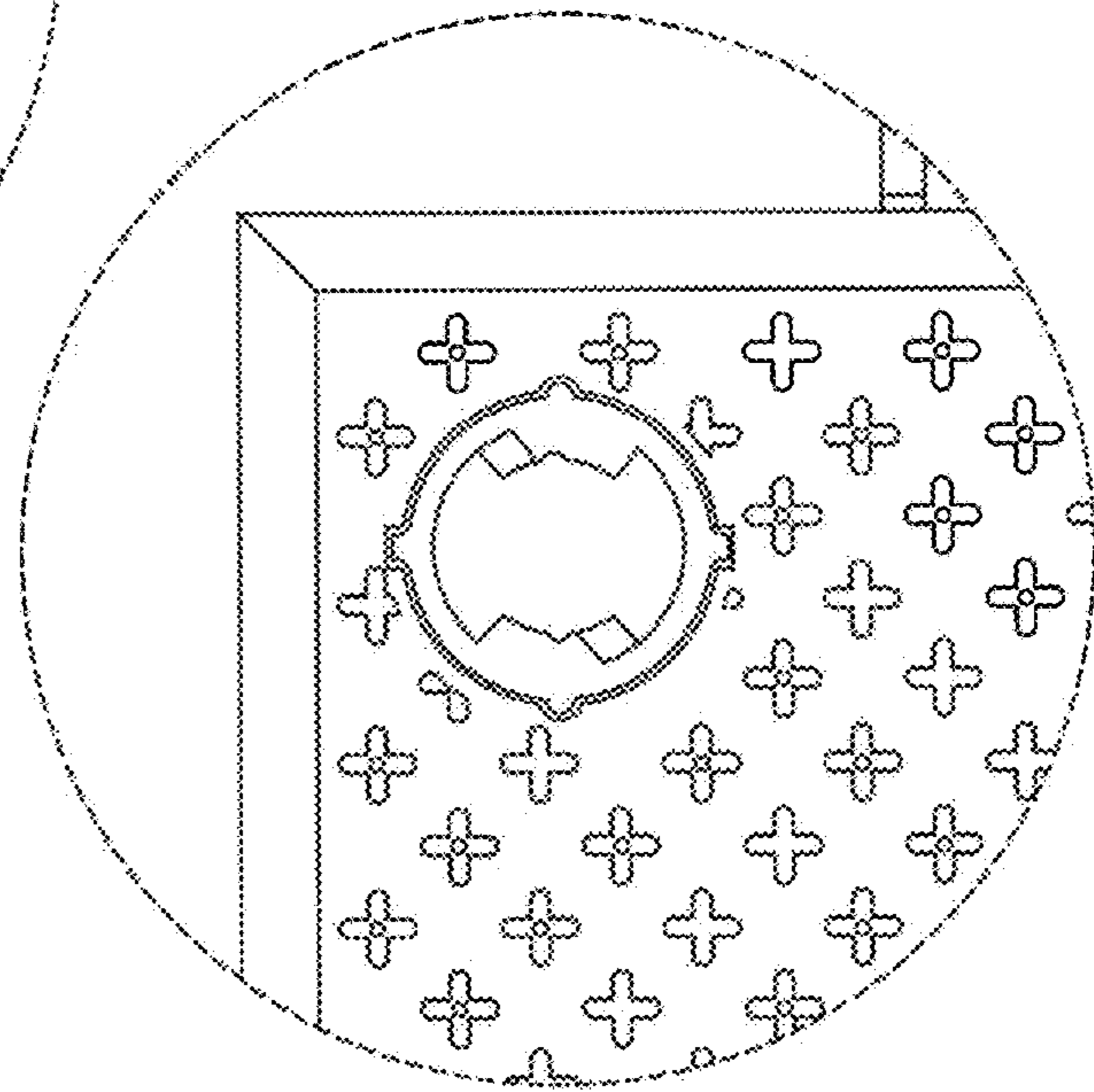


FIG. 4

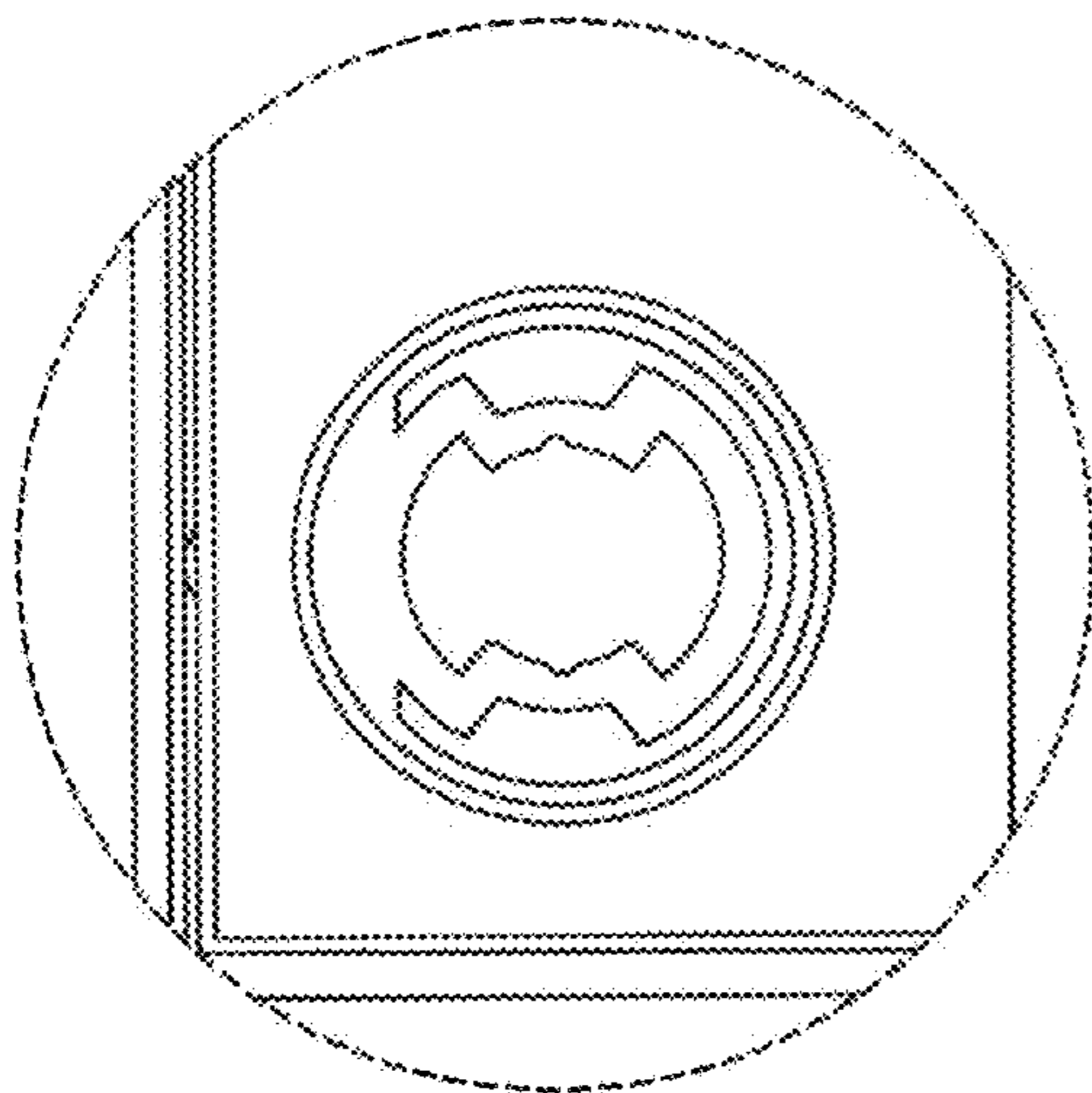


FIG. 5

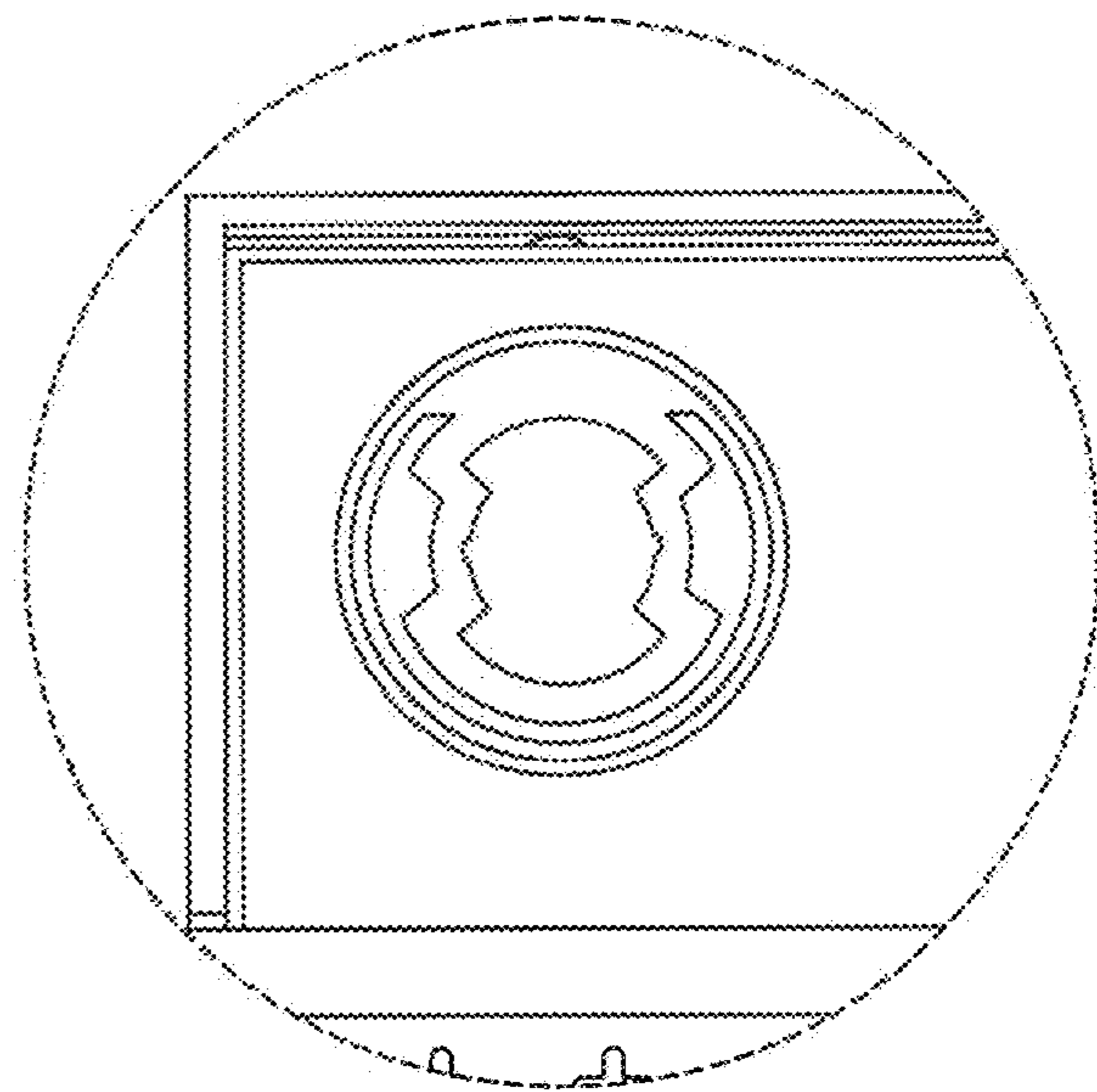


FIG. 6

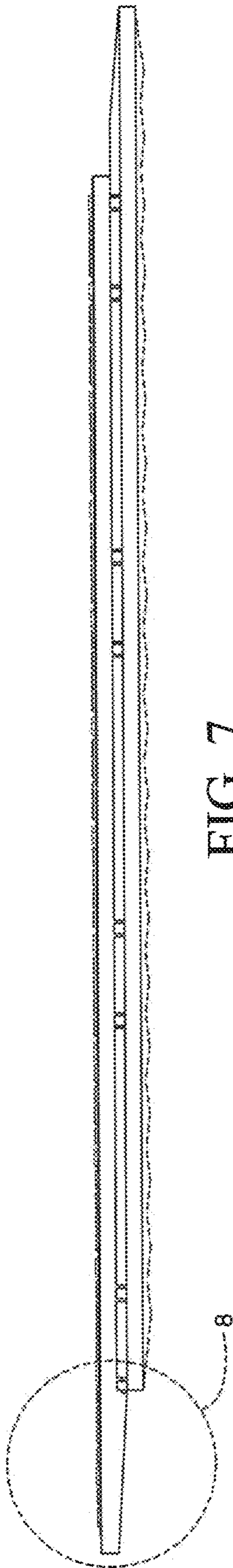


FIG. 7

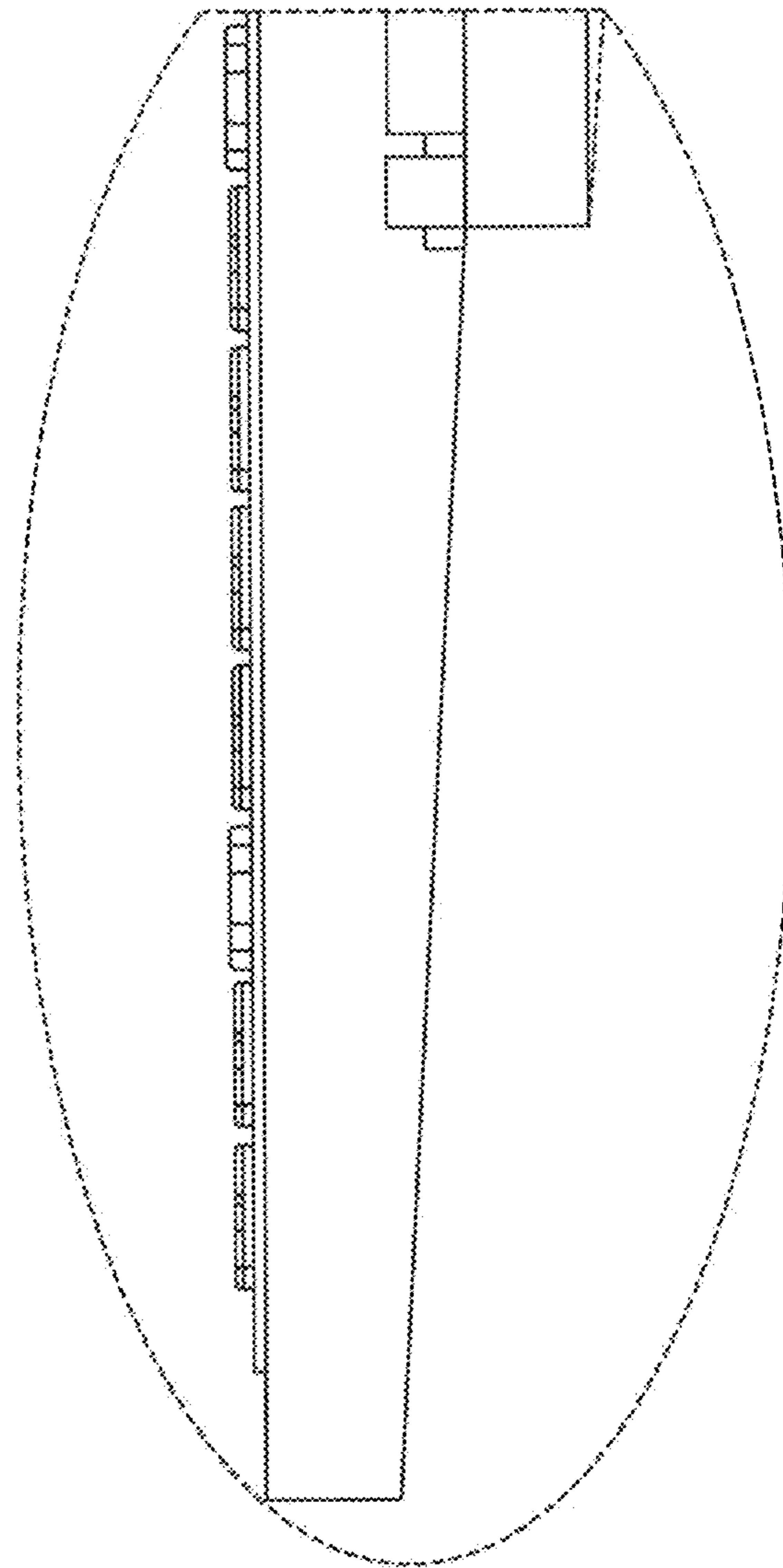


FIG. 8

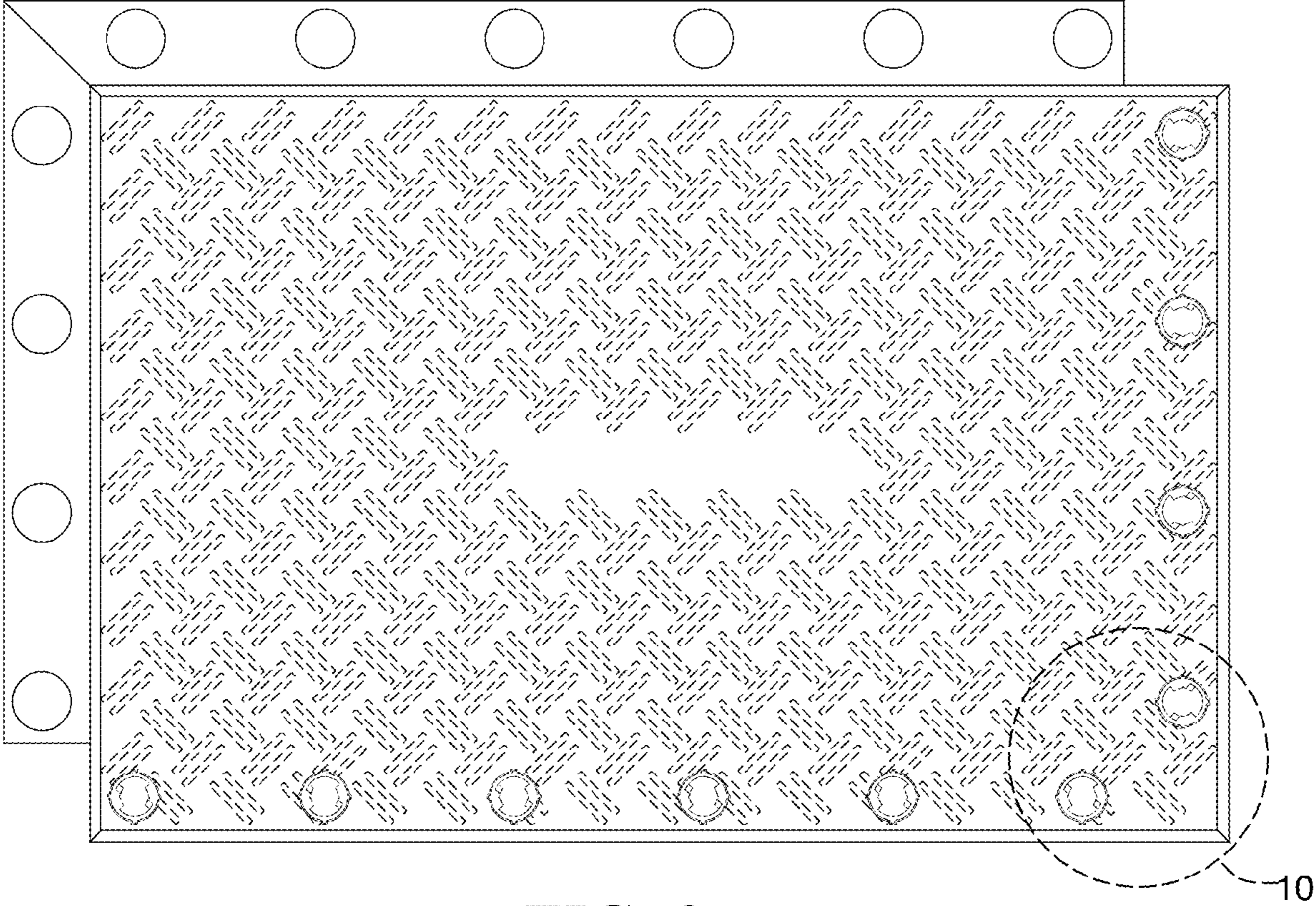


FIG. 9

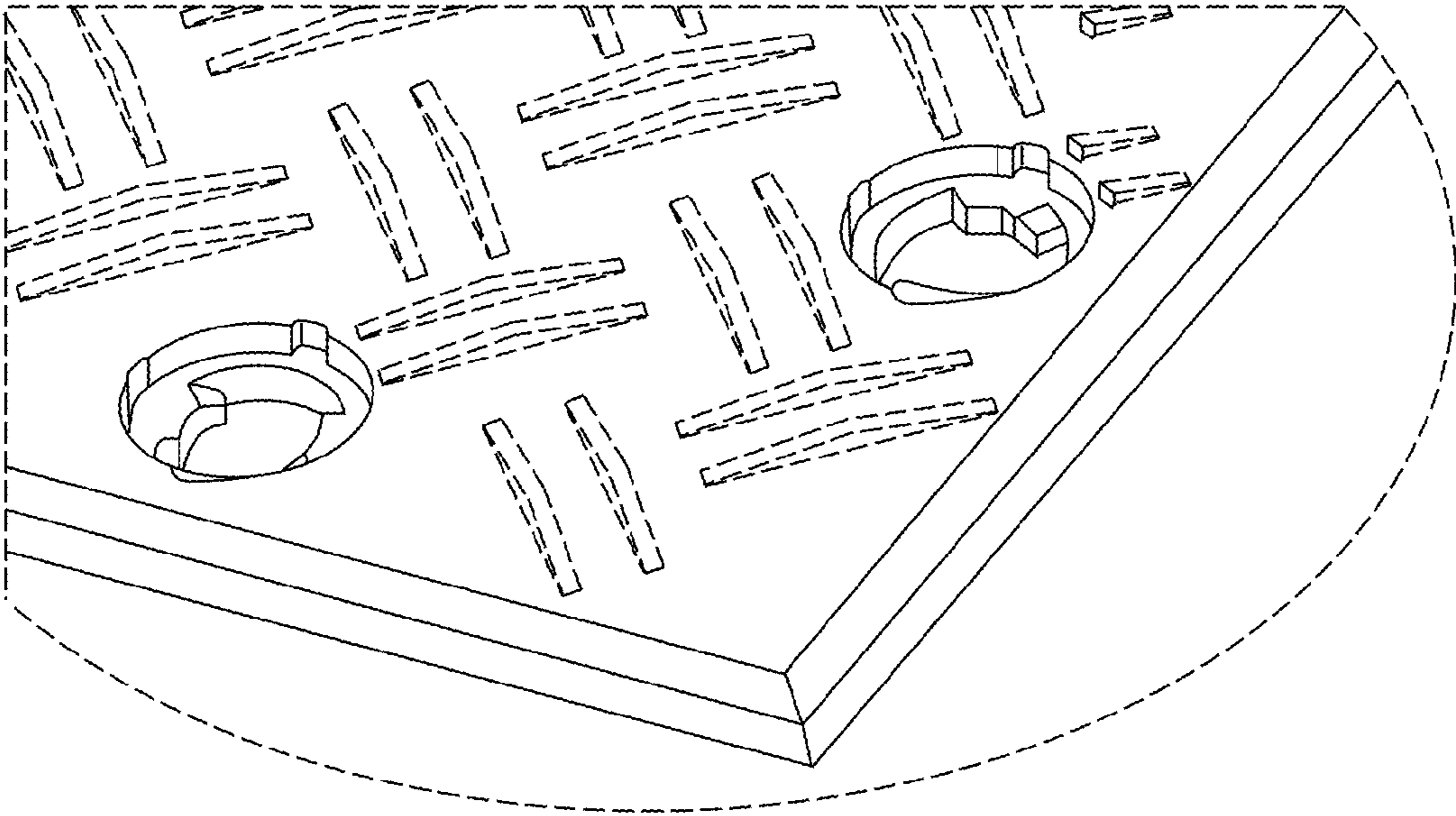


FIG. 10

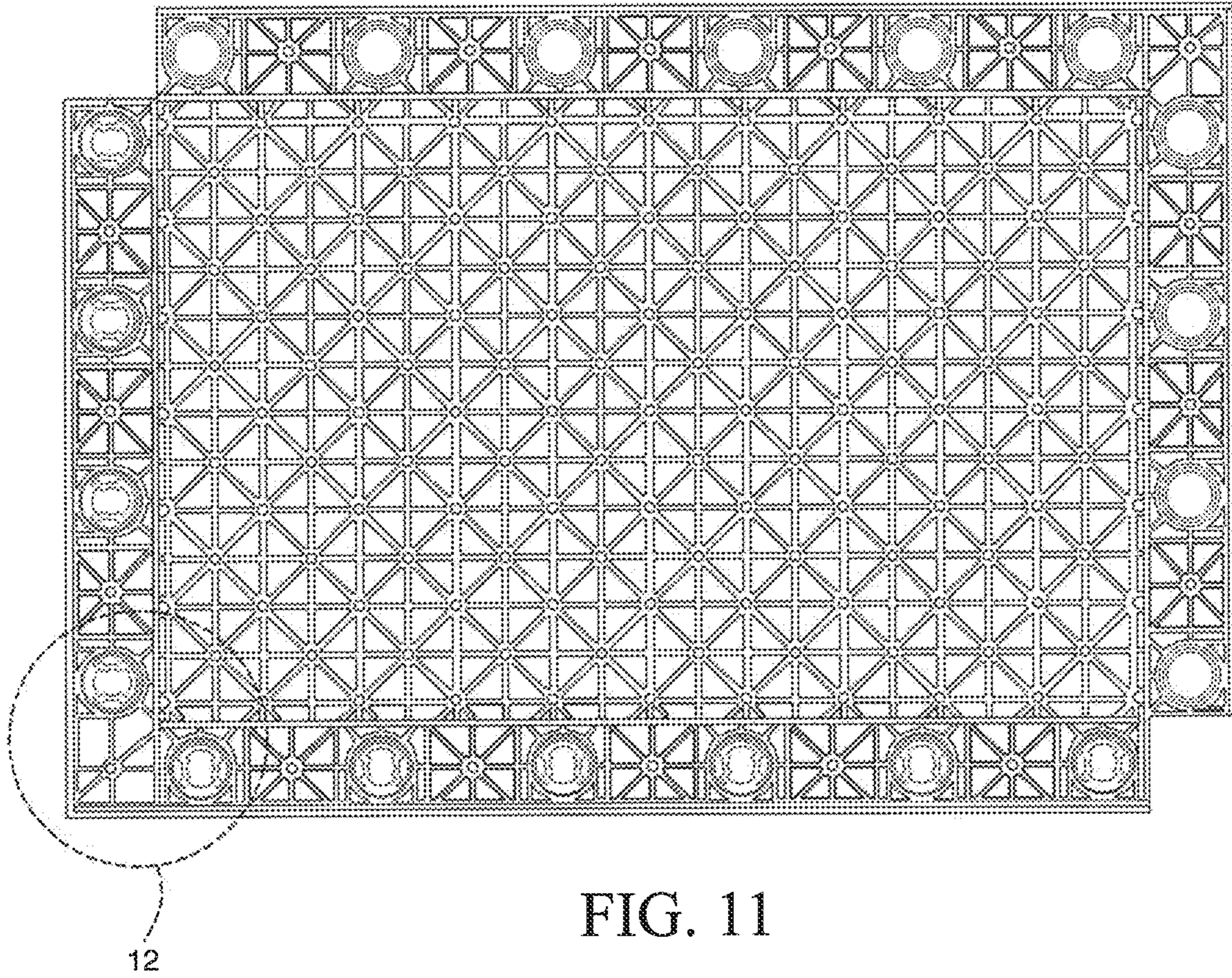


FIG. 11

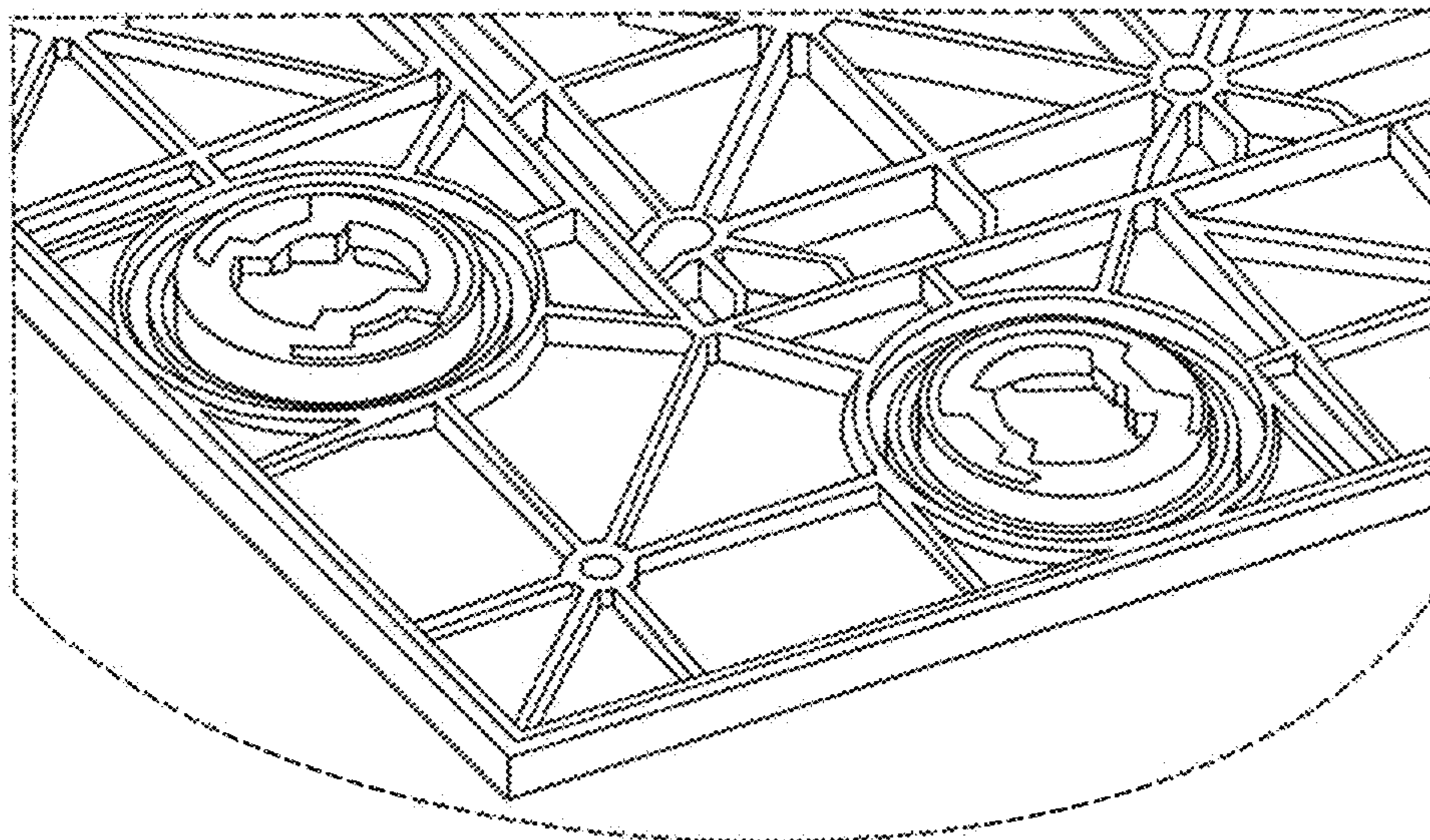


FIG. 12

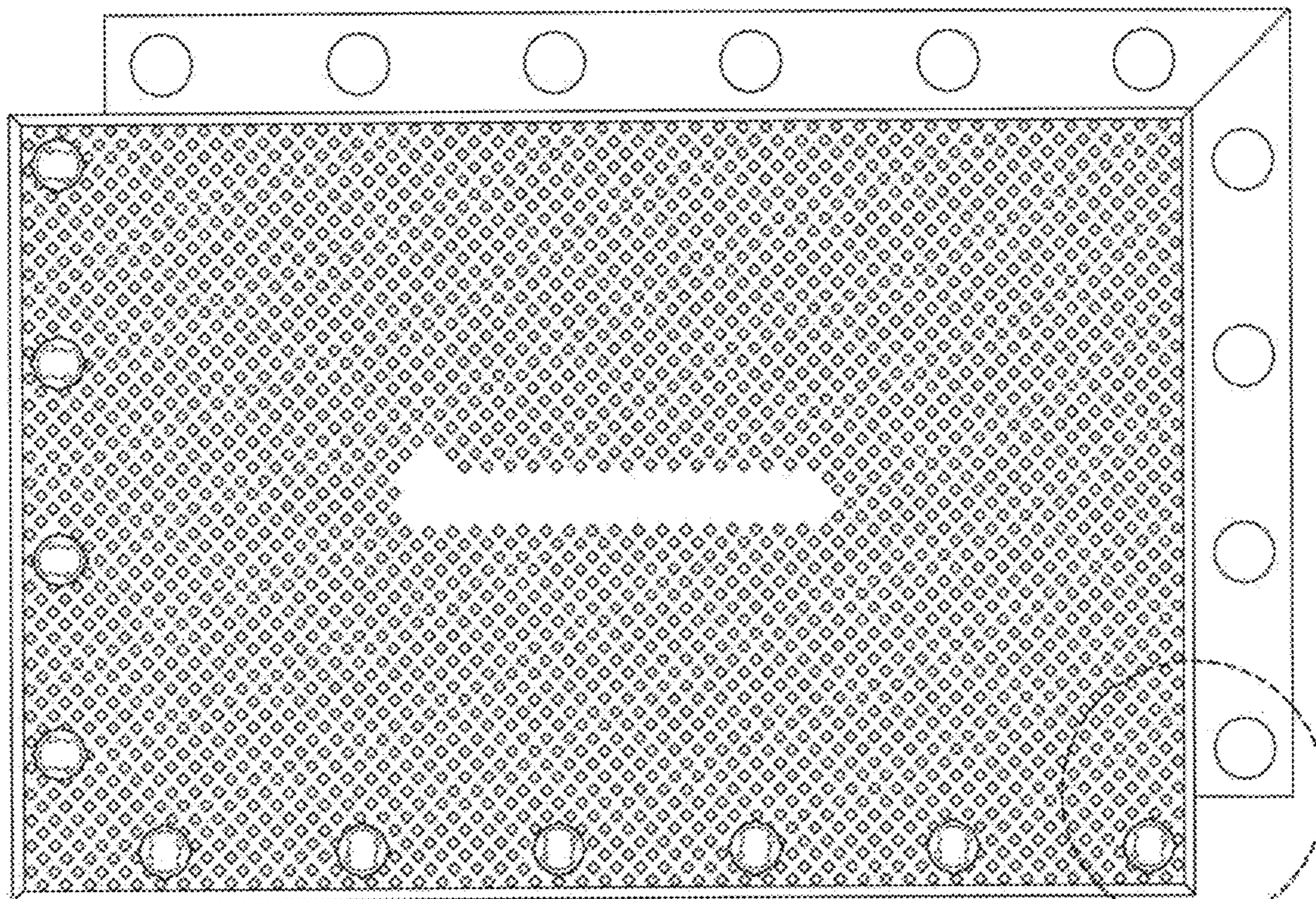


FIG. 13

14

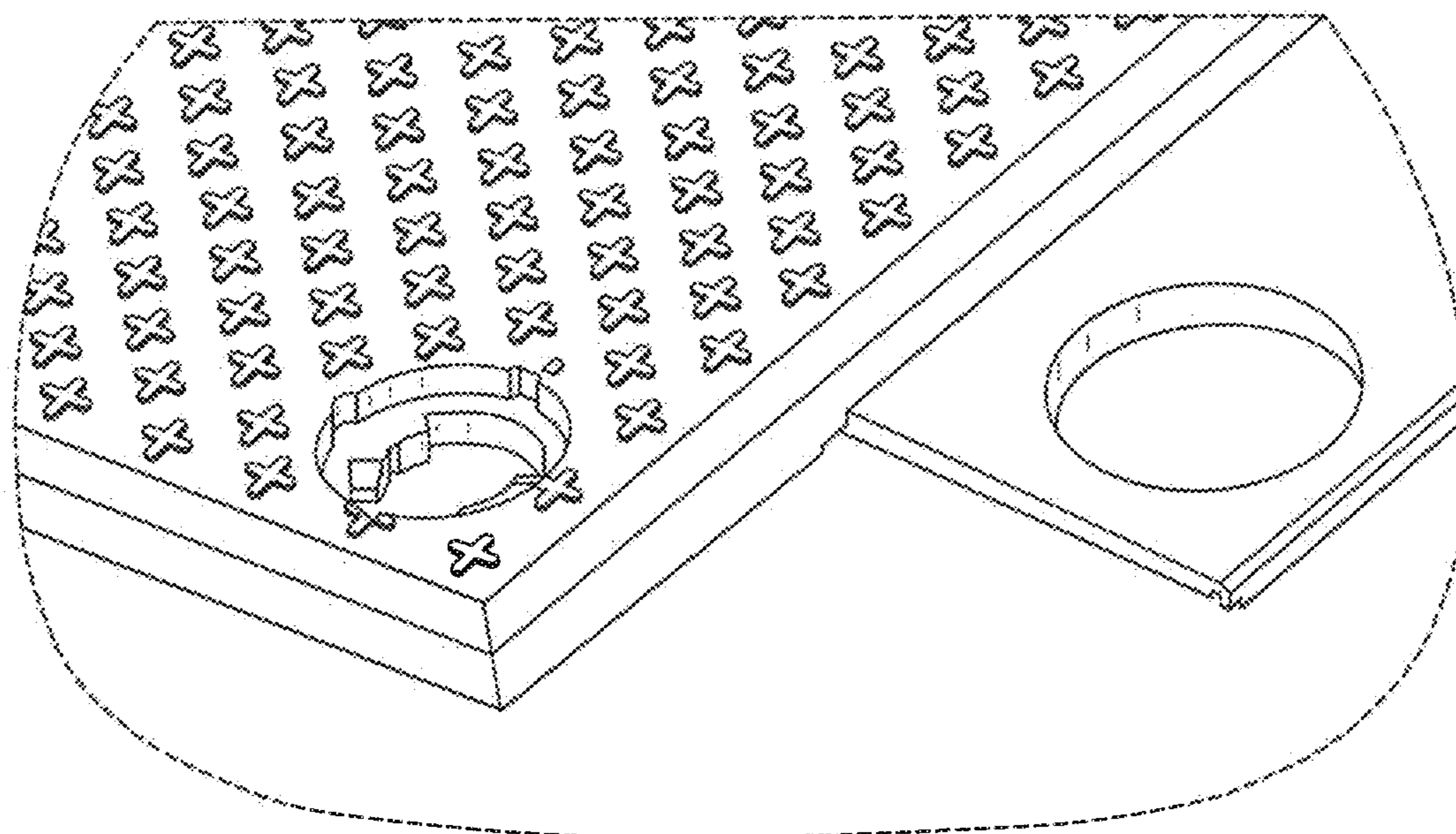


FIG. 14



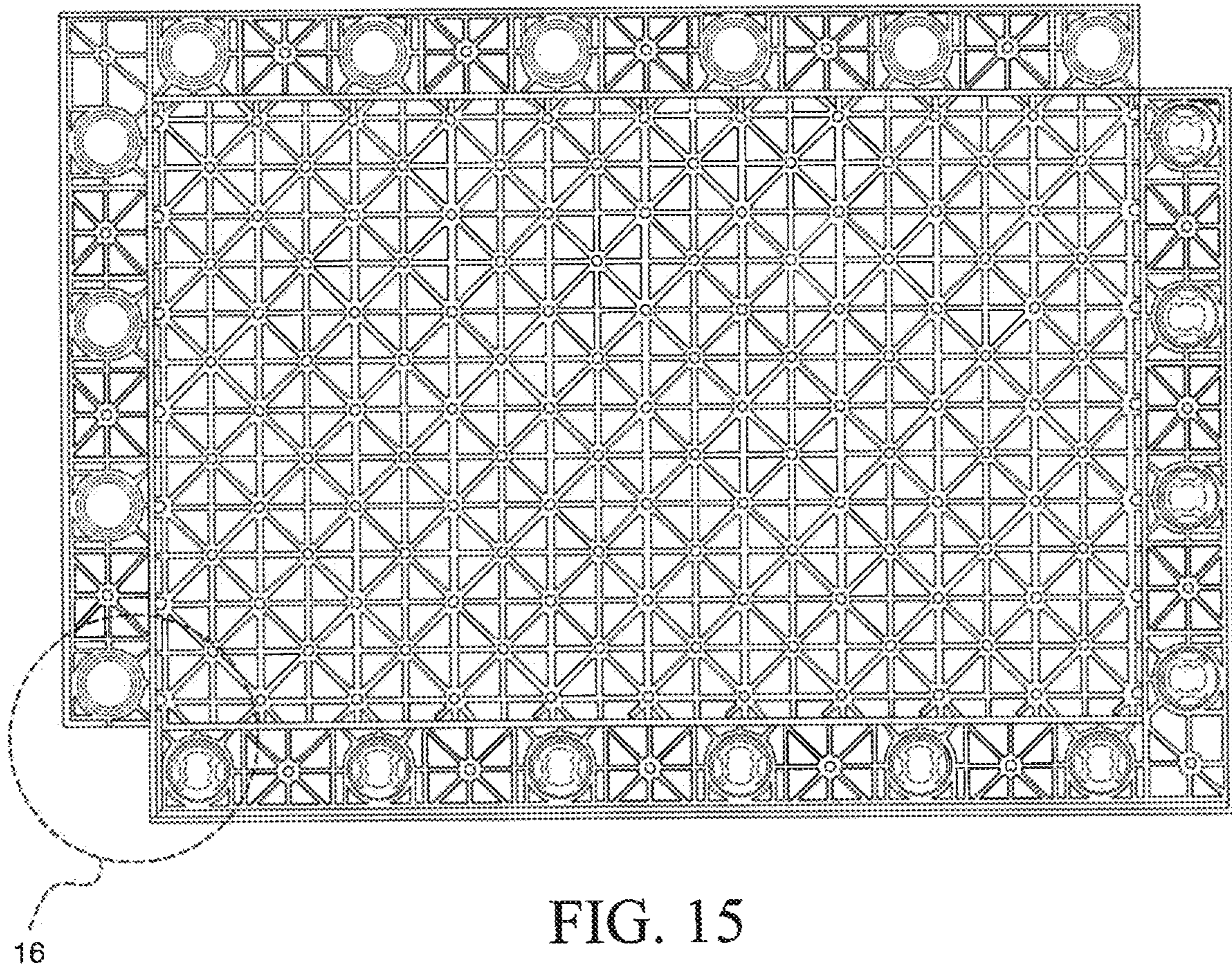


FIG. 15

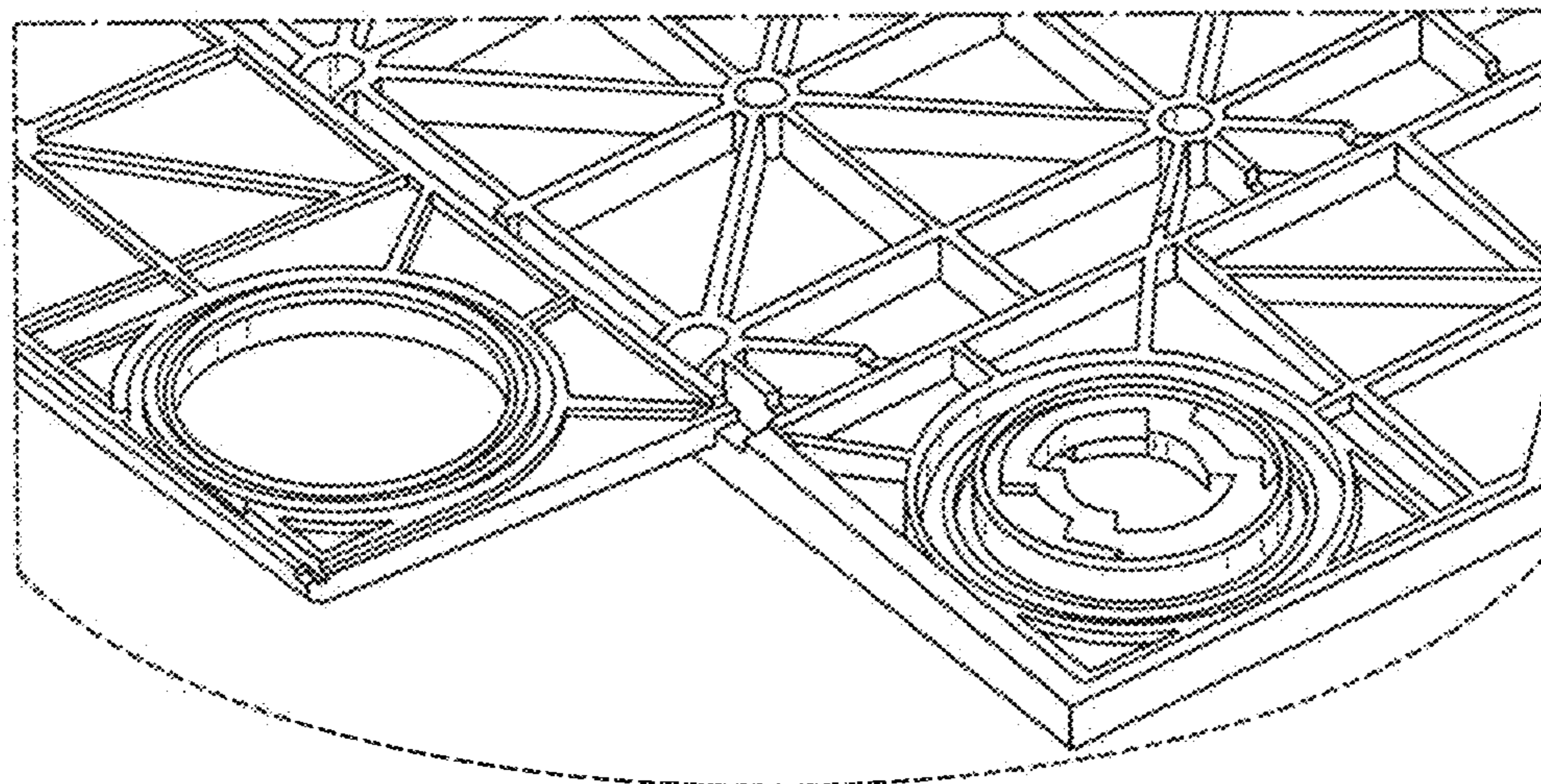


FIG. 16

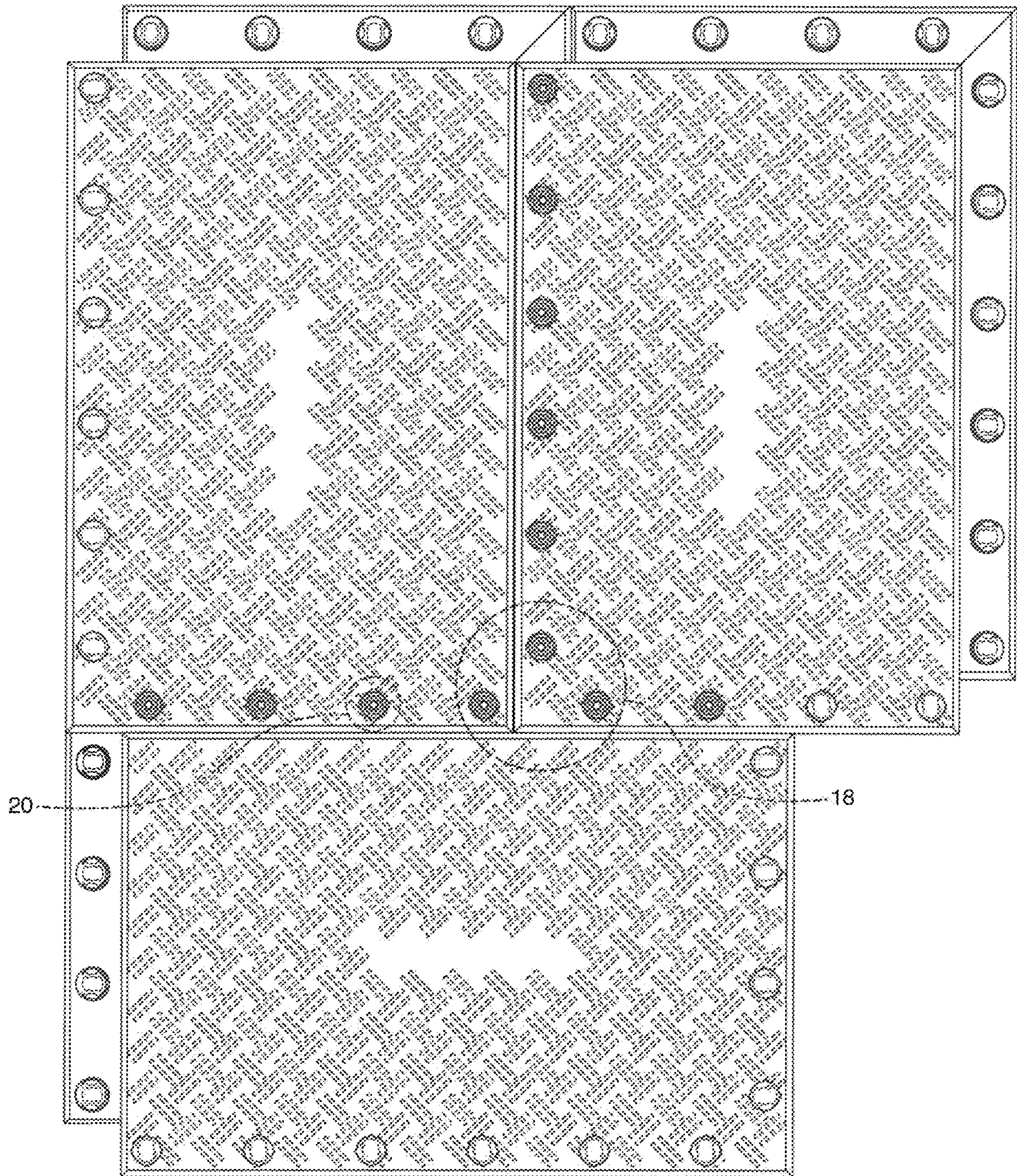


FIG. 17

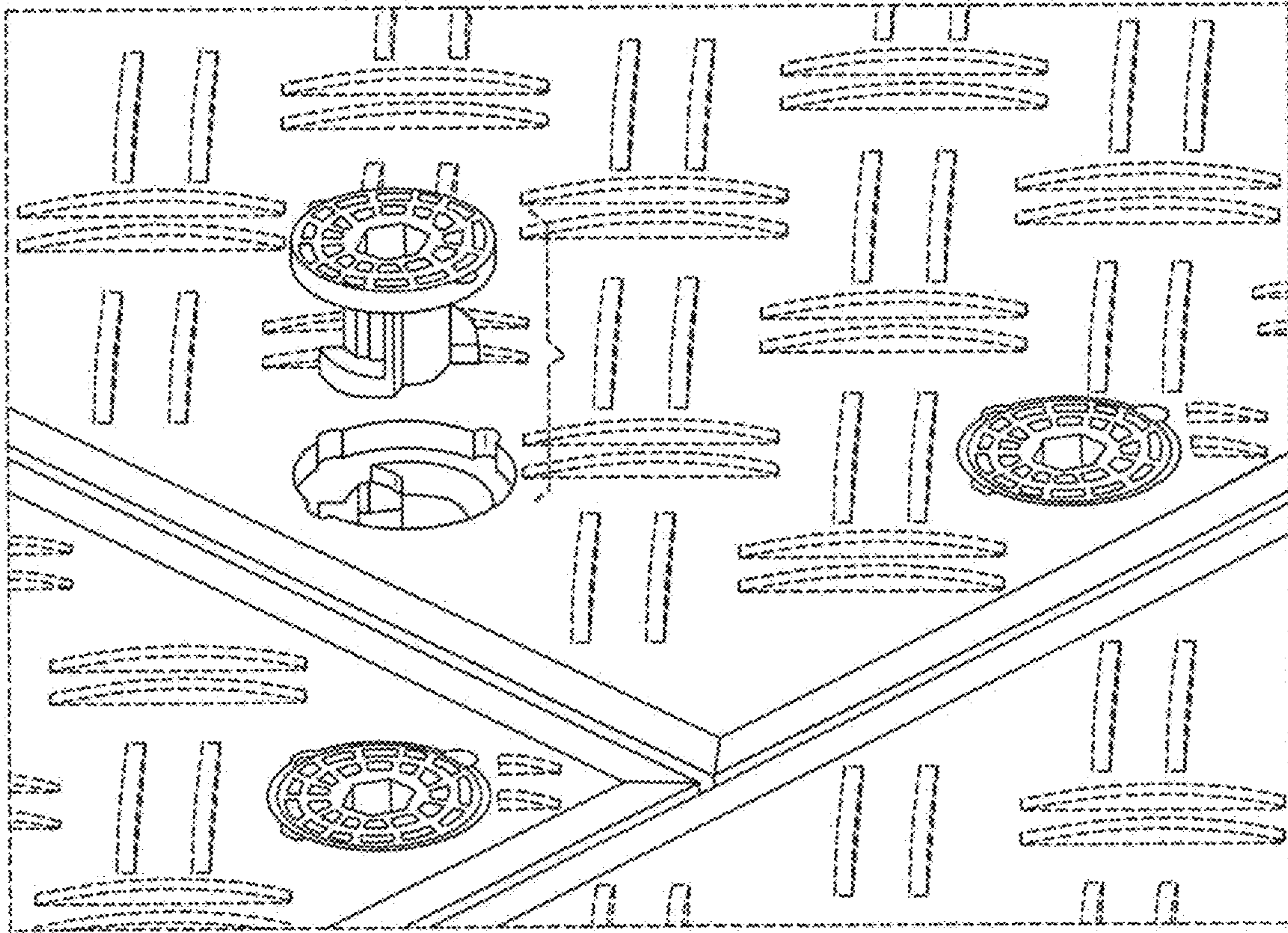


FIG. 18

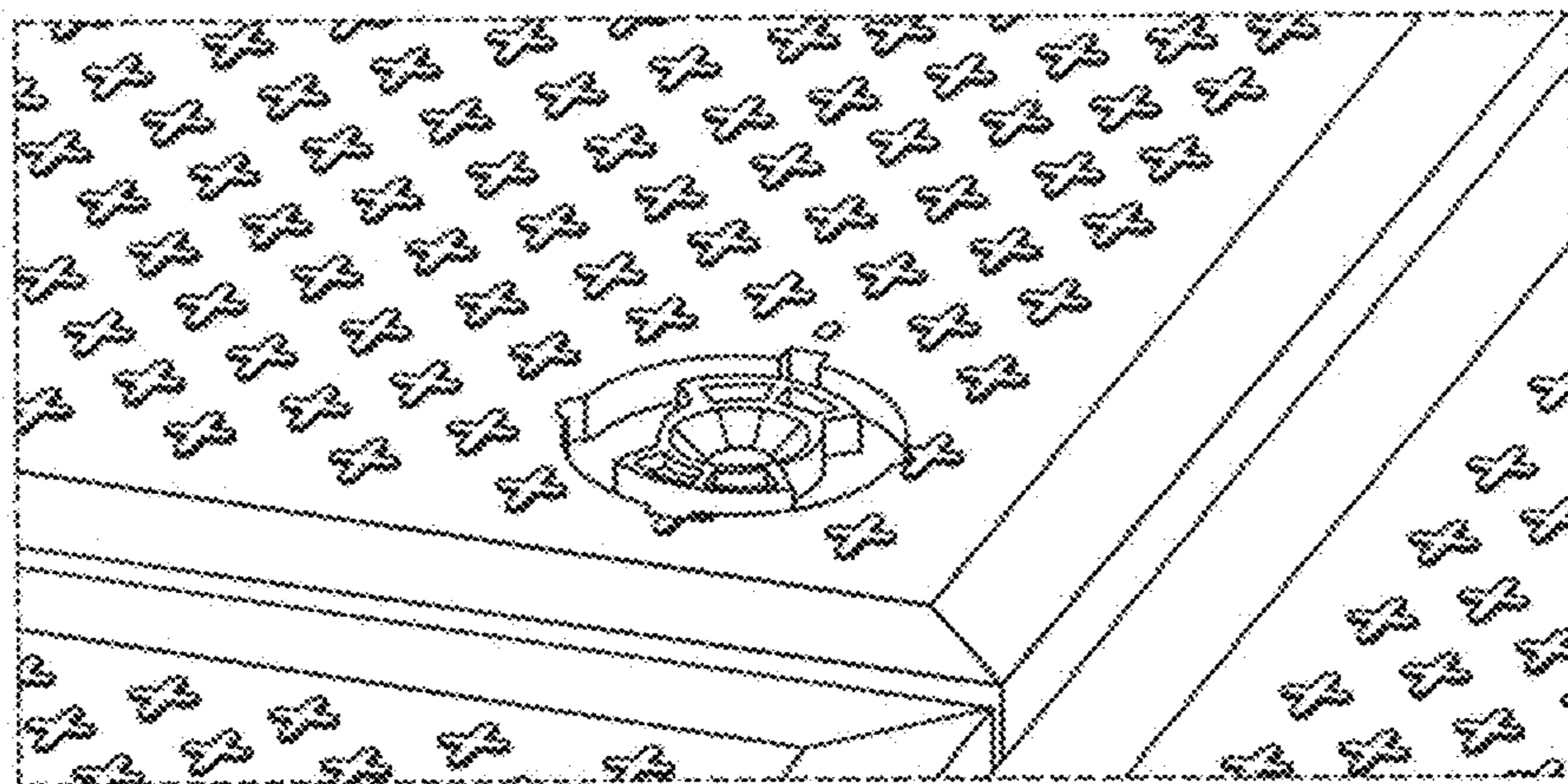


FIG. 19

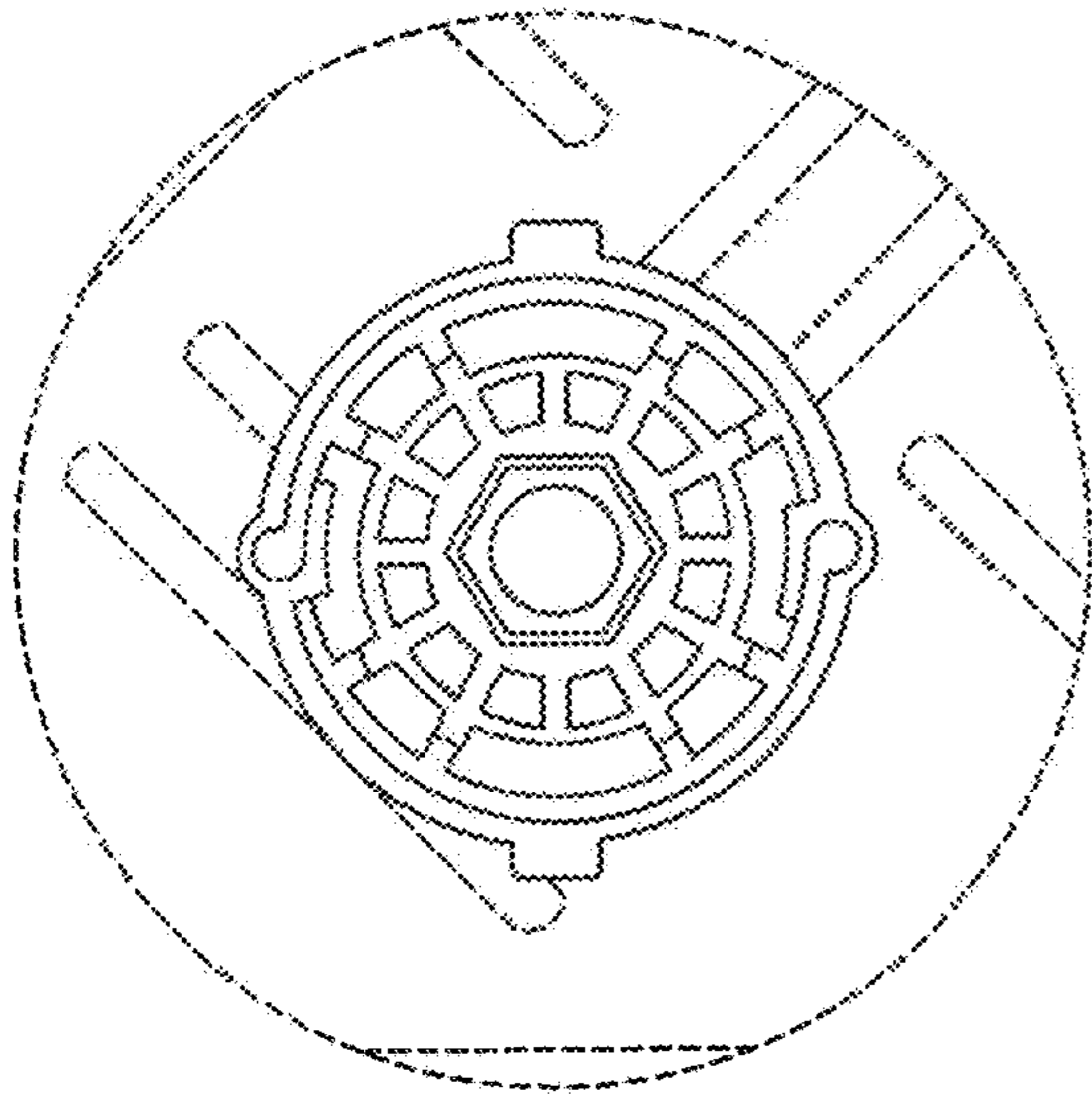


FIG. 20

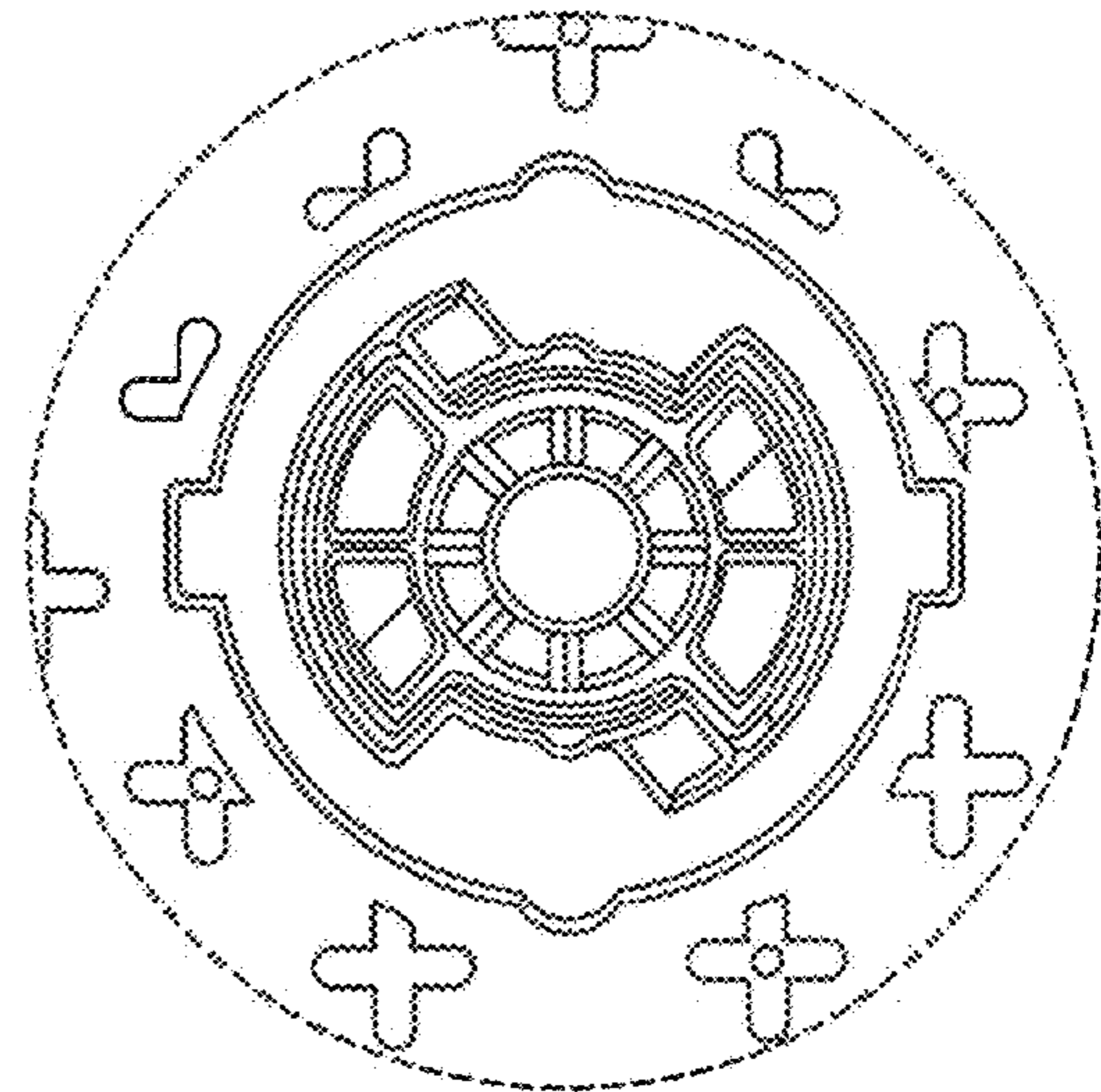


FIG. 21

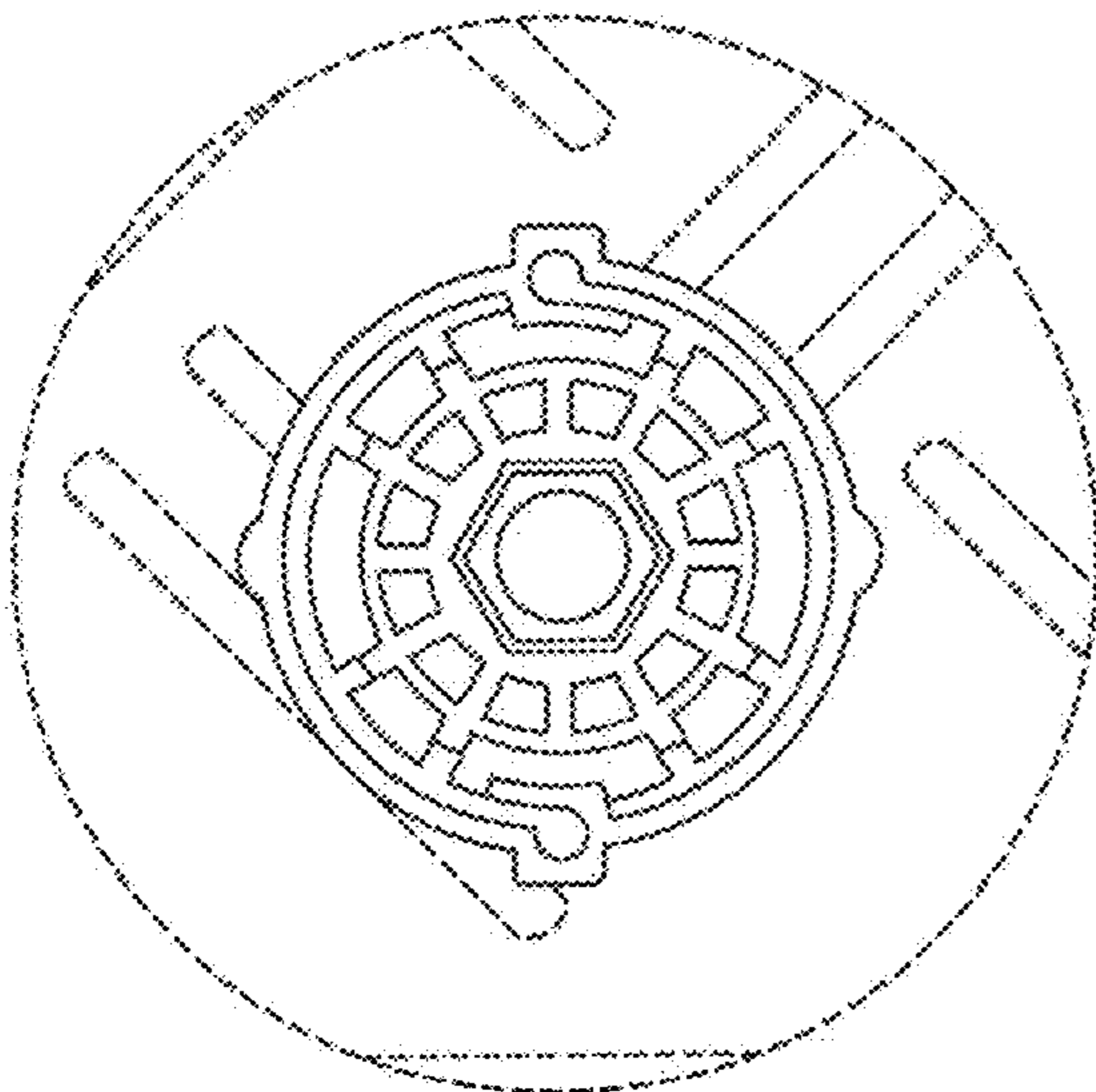


FIG. 22

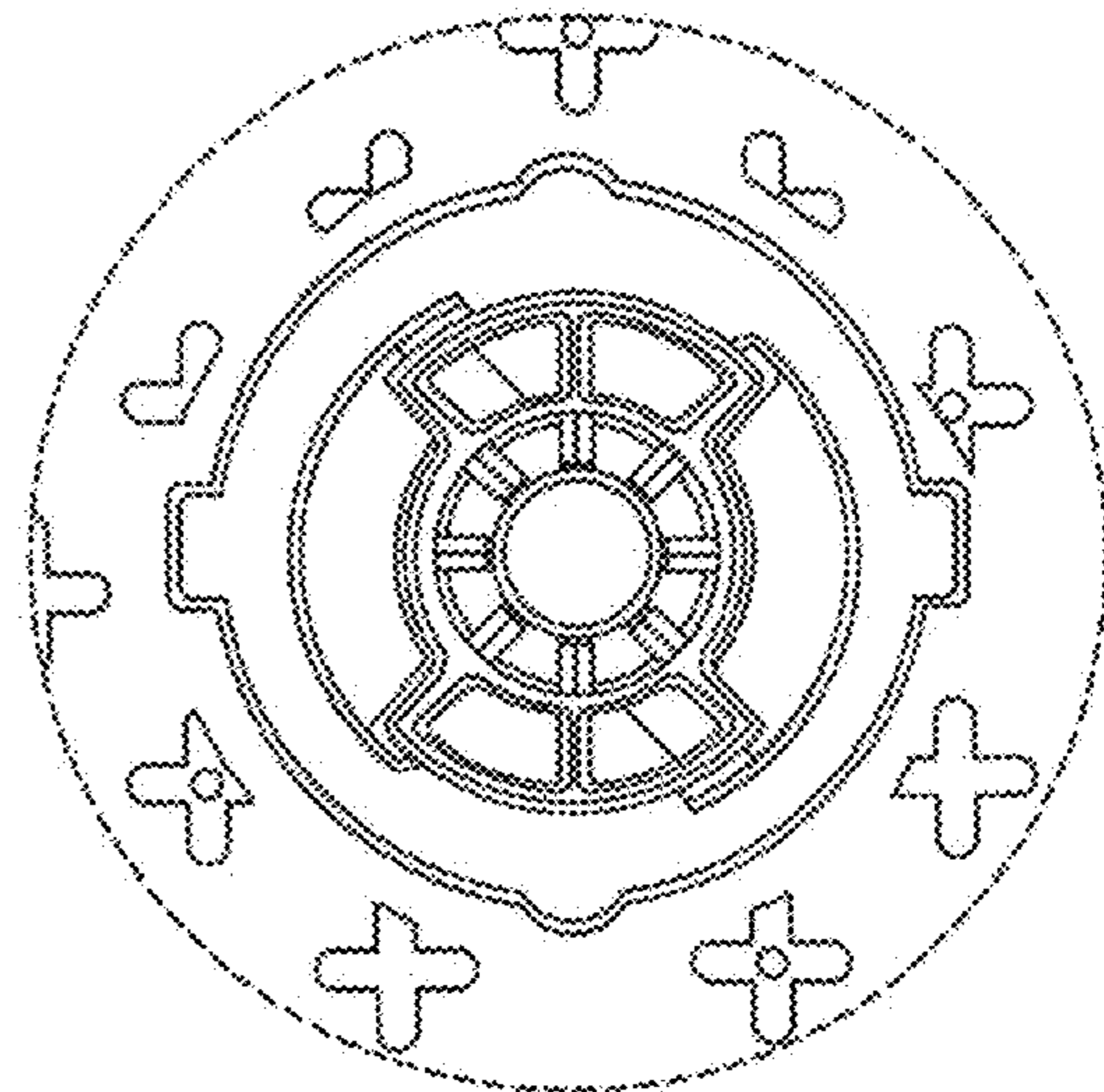


FIG. 23