



US00D928986S

(12) **United States Design Patent** (10) **Patent No.:** **US D928,986 S**
Karau (45) **Date of Patent:** **** Aug. 24, 2021**

(54) **RANDOM LINEAR PAVING SLAB**

FOREIGN PATENT DOCUMENTS

(71) Applicant: **PAVESTONE, LLC**, Atlanta, GA (US)
 (72) Inventor: **William H. Karau**, Southlake, TX (US)
 (73) Assignee: **PAVESTONE, LLC**
 (**) Term: **15 Years**

AU 2003266855 5/2004
 CA 2899373 A1 9/2014
 JP 2006-233527 9/2006

* cited by examiner

Primary Examiner — Doris Clark

(74) *Attorney, Agent, or Firm* — Jackson Walker LLP; Christopher J. Rourk

(21) Appl. No.: **29/697,510**

(22) Filed: **Jul. 9, 2019**

(51) **LOC (13) Cl.** **25-01**

(52) **U.S. Cl.**
USPC **D25/113**

(58) **Field of Classification Search**
 USPC D25/113
 CPC E04F 13/165; E04F 13/185; E04F 13/147;
 E04F 13/144; E04F 13/142; E04F 13/141;
 E04F 13/123; E04F 13/105; E04F 13/14;
 E01C 2201/00; E01C 2201/02; E01C
 2201/06; E01C 2201/14; E01C 15/00;
 E01C 5/02; E01C 5/04; E01C 5/06; E01C
 5/065; E01C 5/00

See application file for complete search history.

(56) **References Cited**

U.S. PATENT DOCUMENTS

D515,711 S * 2/2006 Anderson D25/113
 9,127,418 B2 9/2015 Bockes et al.
 9,951,527 B2 * 4/2018 Lundell E01C 5/16
 D829,931 S * 10/2018 Eliason D25/113
 10,458,074 B1 * 10/2019 Dagesse E01C 5/003
 2006/0107610 A1 5/2006 Boserio

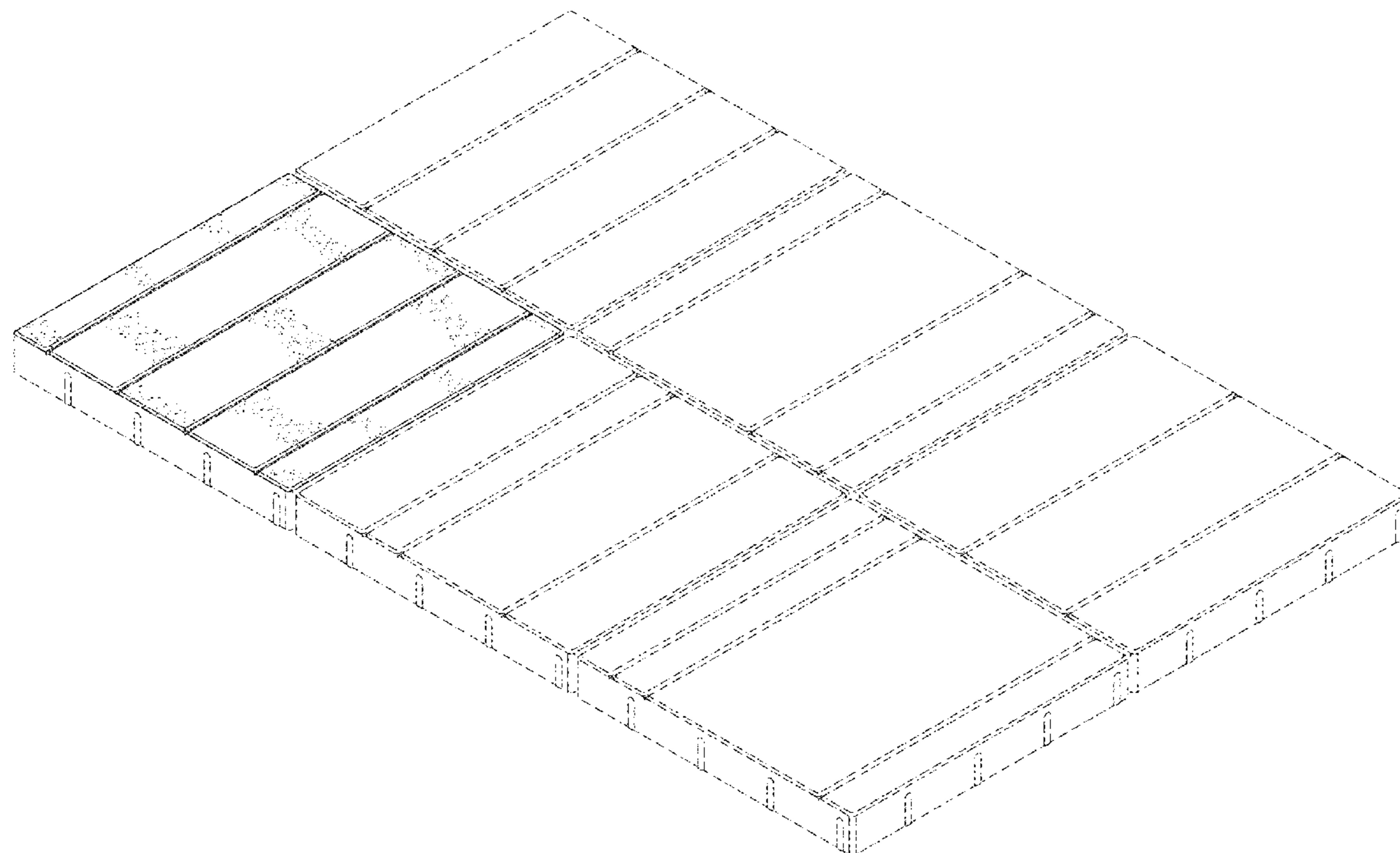
(57) **CLAIM**

I claim, the ornamental design for a random linear paving slab, as shown and described.

DESCRIPTION

FIG. 1 shows a front perspective view of a random linear paving slab according to the present disclosure;
 FIG. 2 shows a front elevation view of the random linear paving slab illustrated in FIG. 1;
 FIG. 3 shows a rear elevation view of the random linear paving slab illustrated in FIG. 1;
 FIG. 4 shows a right side view of the random linear paving slab illustrated in FIG. 1;
 FIG. 5 shows a left side view of the random linear paving slab illustrated in FIG. 1;
 FIG. 6 shows a top view of the random linear paving slab illustrated in FIG. 1;
 FIG. 7 shows a bottom view of the random linear paving slab illustrated in FIG. 1; and,
 FIG. 8 shows an environmental view of the random linear paving slab illustrated in FIG. 1.
 The dashed broken lines are for illustrative purposes only and form no part of the claimed design.

1 Claim, 6 Drawing Sheets



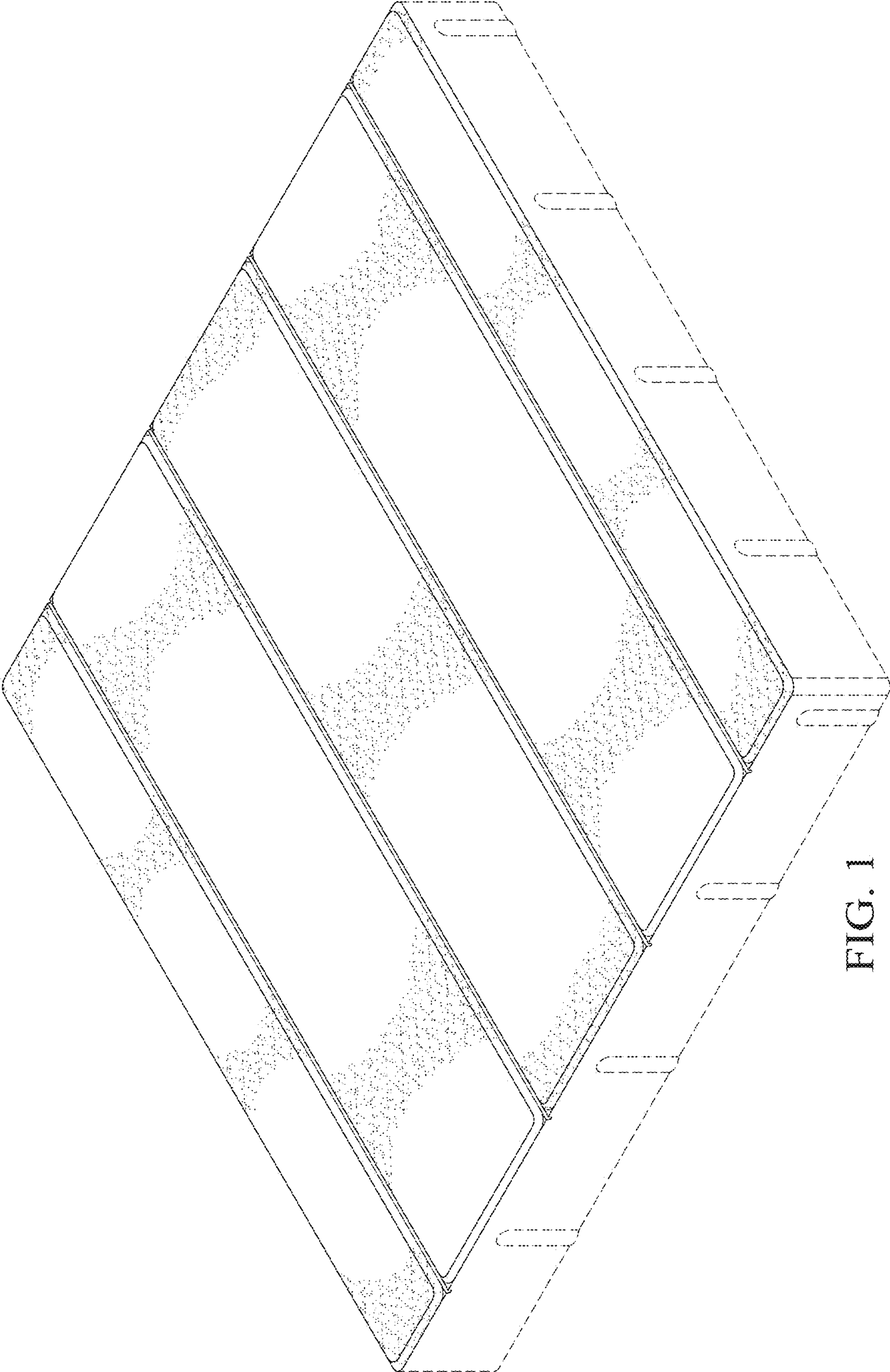


FIG. 1

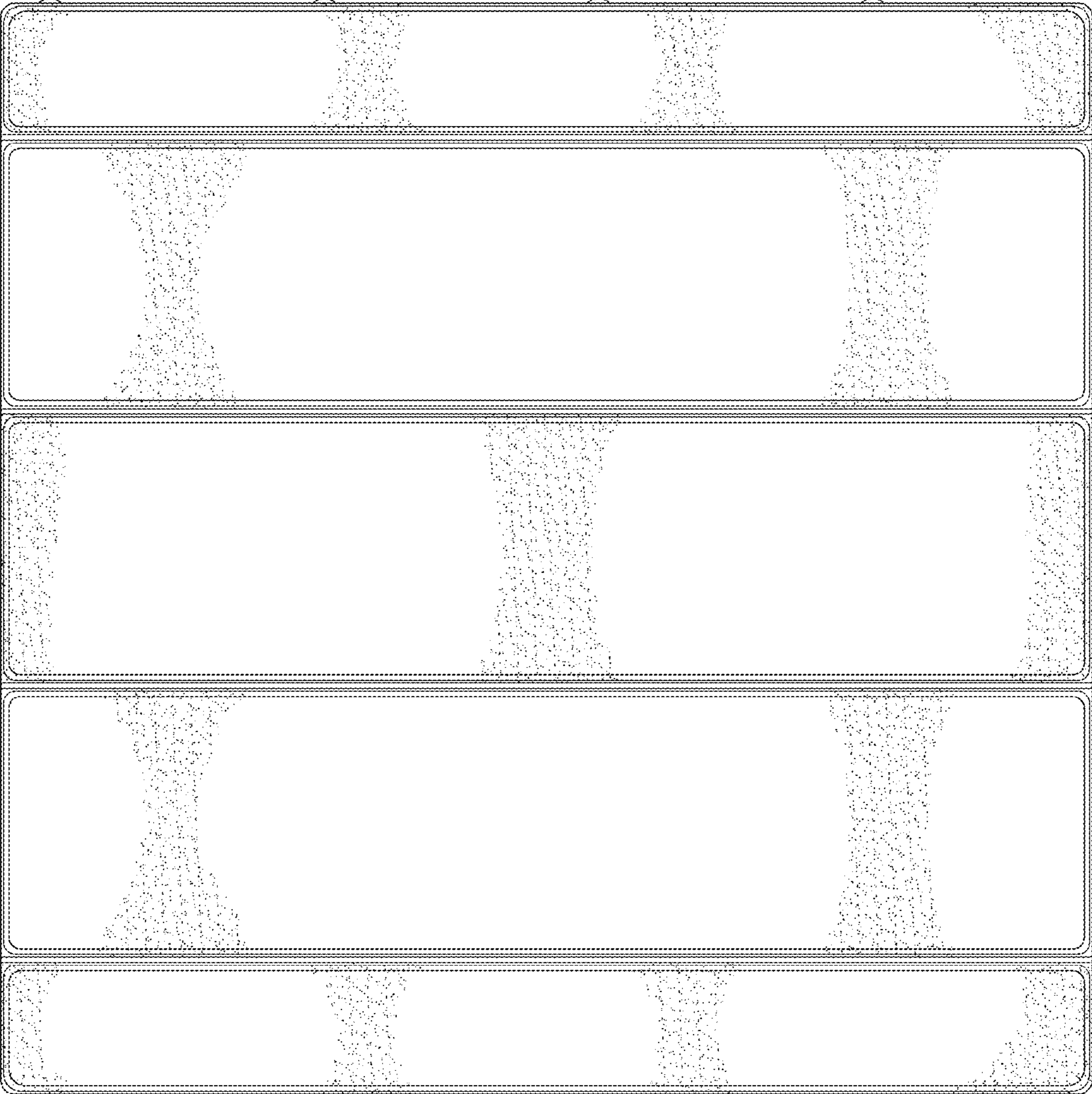


FIG. 2

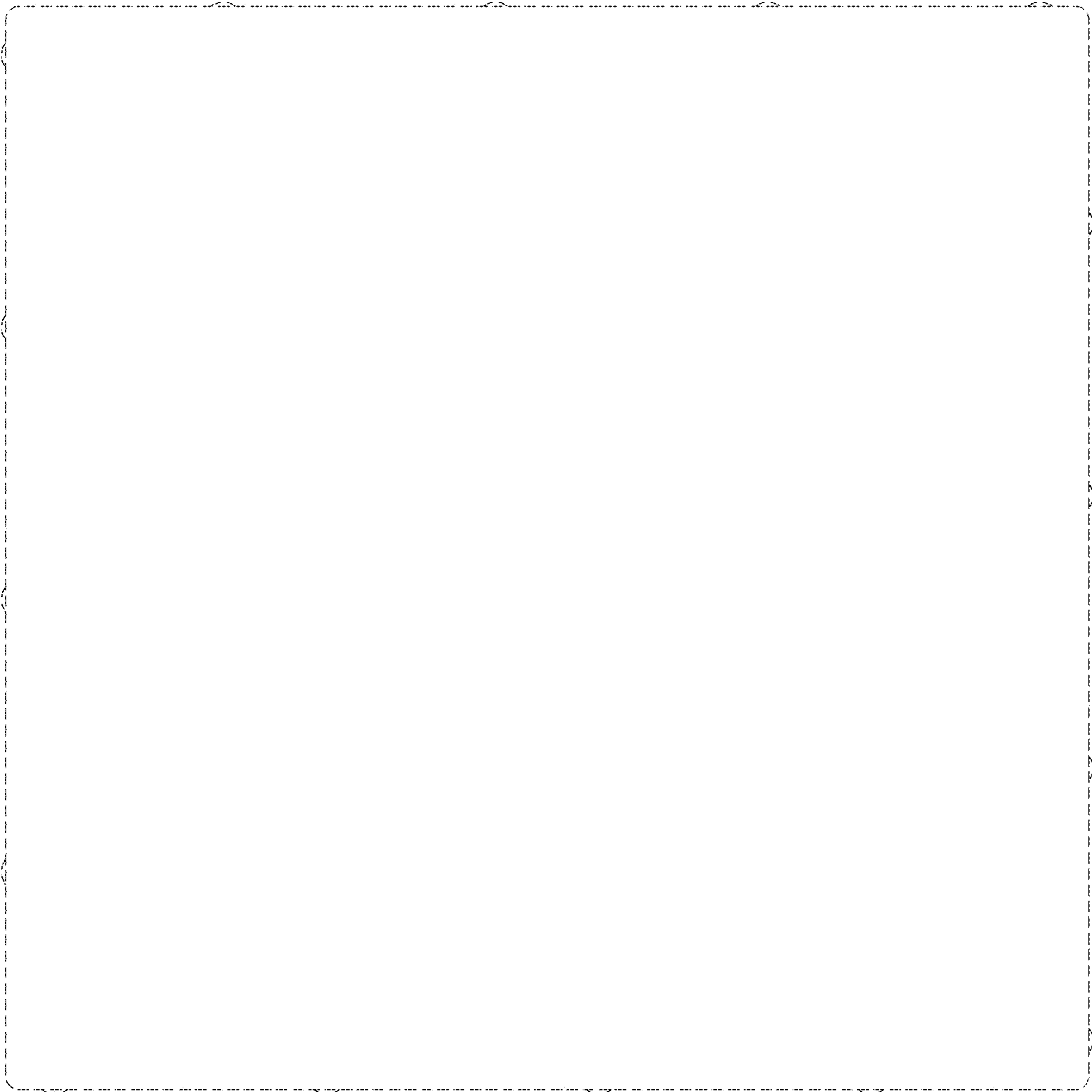


FIG. 3

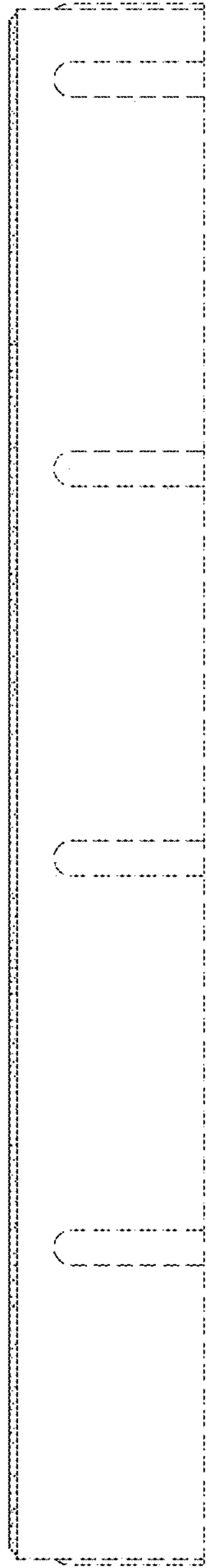


FIG. 4

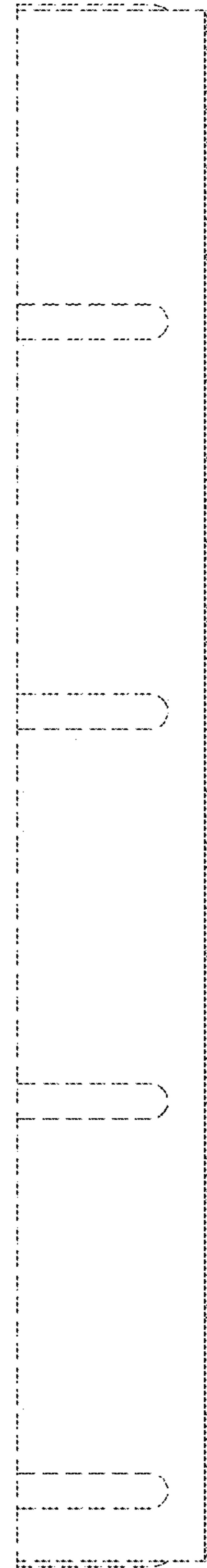


FIG. 5

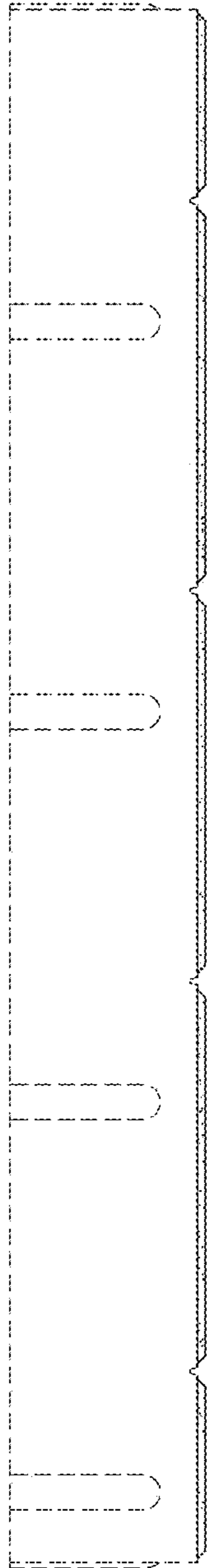


FIG. 6

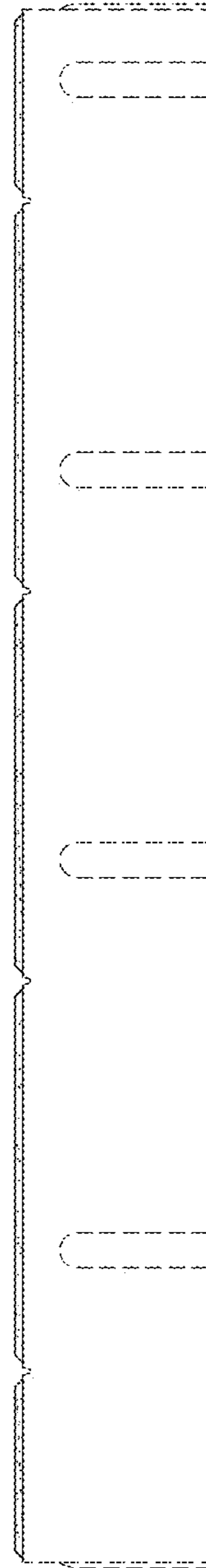


FIG. 7

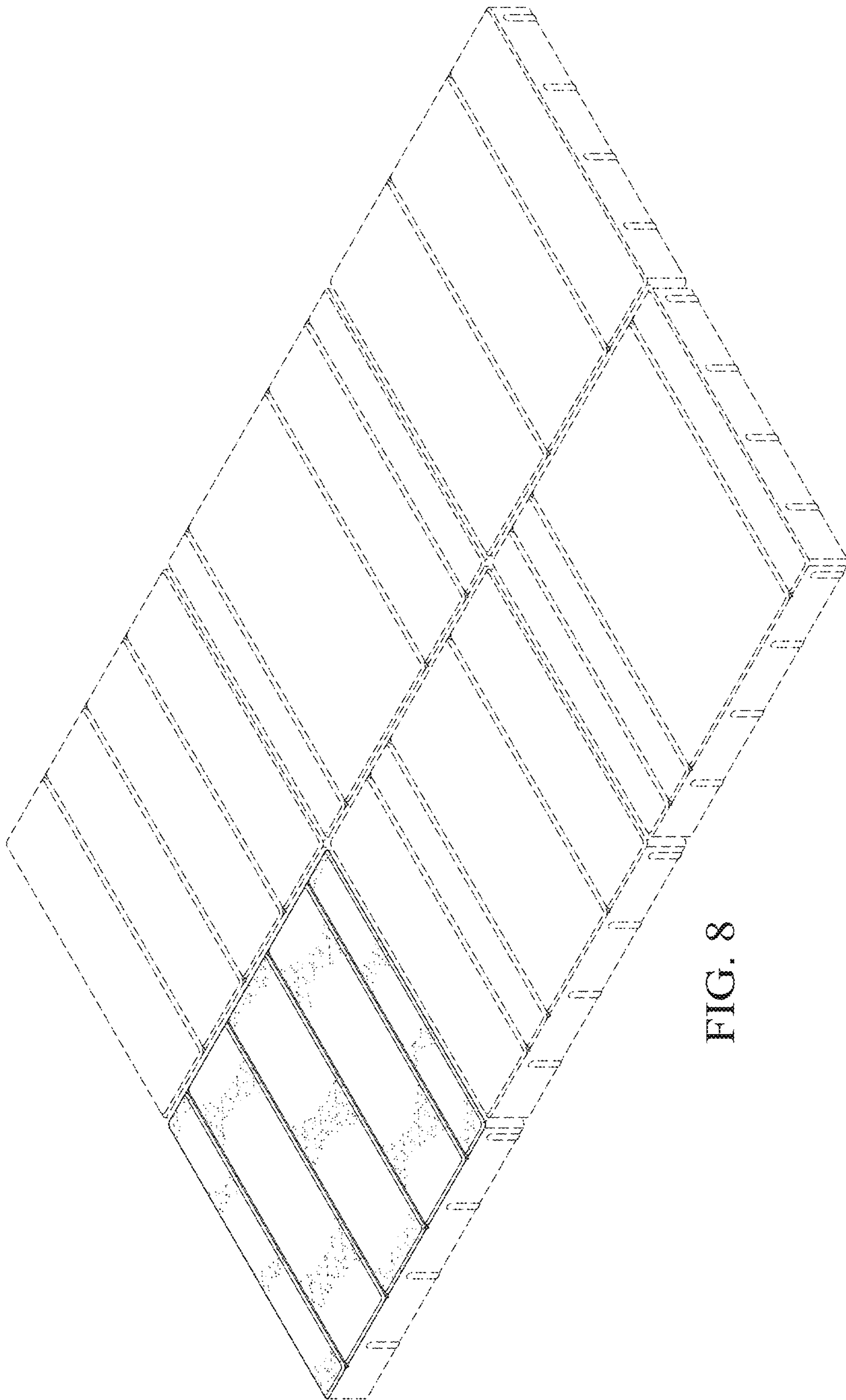


FIG. 8