



US00D928984S

(12) **United States Design Patent**
Yoo et al.

(10) **Patent No.:** **US D928,984 S**

(45) **Date of Patent:** **** Aug. 24, 2021**

(54) **TRAY FOR FEEDING BOTTLE STERILIZER**

D677,400 S * 3/2013 Blaettler D24/230
8,460,622 B2 * 6/2013 Motadel B01L 9/543

(71) Applicant: **LG ELECTRONICS INC.**, Seoul (KR)

422/564

(72) Inventors: **Taewoo Yoo**, Seoul (KR); **Nayeoung Kim**, Seoul (KR); **Jinsu Kim**, Seoul (KR); **Kyoungmin Baek**, Seoul (KR); **Hyojin Won**, Seoul (KR); **Hyunwoo Yoo**, Seoul (KR); **Hyejin Choi**, Seoul (KR)

D699,370 S * 2/2014 Motadel D24/229
D818,137 S * 5/2018 Kawamura D24/203
D867,614 S * 11/2019 Jones D24/227
D875,272 S * 2/2020 Muller D24/224
10,737,273 B2 * 8/2020 Motadel B65D 25/108
D906,538 S * 12/2020 Mendez Padilla D24/229
D912,272 S * 3/2021 Self D24/224
D913,077 S * 3/2021 Pavlov D8/349
2010/0089938 A1 * 4/2010 Motadel B01L 9/543
221/1

(73) Assignee: **LG ELECTRONICS INC.**, Seoul (KR)

* cited by examiner

(**) Term: **15 Years**

Primary Examiner — Janice Hallmark

Assistant Examiner — Omeed Agilee

(21) Appl. No.: **29/711,178**

(74) *Attorney, Agent, or Firm* — Birch, Stewart, Kolasch & Birch LLP

(22) Filed: **Oct. 29, 2019**

(30) **Foreign Application Priority Data**

(57) **CLAIM**

Apr. 30, 2019 (WO) WIPO83086

(51) **LOC (13) Cl.** **24-02**

The ornamental design for a tray for feeding bottle sterilizer, as shown and described.

(52) **U.S. Cl.**

USPC **D24/227**

(58) **Field of Classification Search**

DESCRIPTION

USPC D24/107, 121, 169, 186, 216, 223–230;
D9/756–758; D15/127, 139, 140, 141;
D8/70

CPC .. B01L 9/06; B01L 3/502; B01L 9/543; B01L 2200/025; B01L 3/0275; B01L 3/5085; B01L 3/02; B01L 2300/08; B01L 2300/0829; B01L 2200/06; A47J 36/2433; B01D 1/14

See application file for complete search history.

FIG. 1 is a front perspective view of a tray for feeding bottle sterilizer;
FIG. 2 is a front view thereof where the back view is a mirror image;
FIG. 3 is a left view thereof where the right view is a mirror image;
FIG. 4 is a top view thereof;
FIG. 5 is a bottom view thereof; and,
FIG. 6 is a reference view showing the state of use in which the claimed design is inserted into a feeding bottle sterilizer. The broken lines in the drawings depict environmental subject matter and form no part of the claimed design.

(56) **References Cited**

U.S. PATENT DOCUMENTS

D463,031 S * 9/2002 Slomski D24/216
D467,485 S * 12/2002 Daniels D15/140

1 Claim, 6 Drawing Sheets

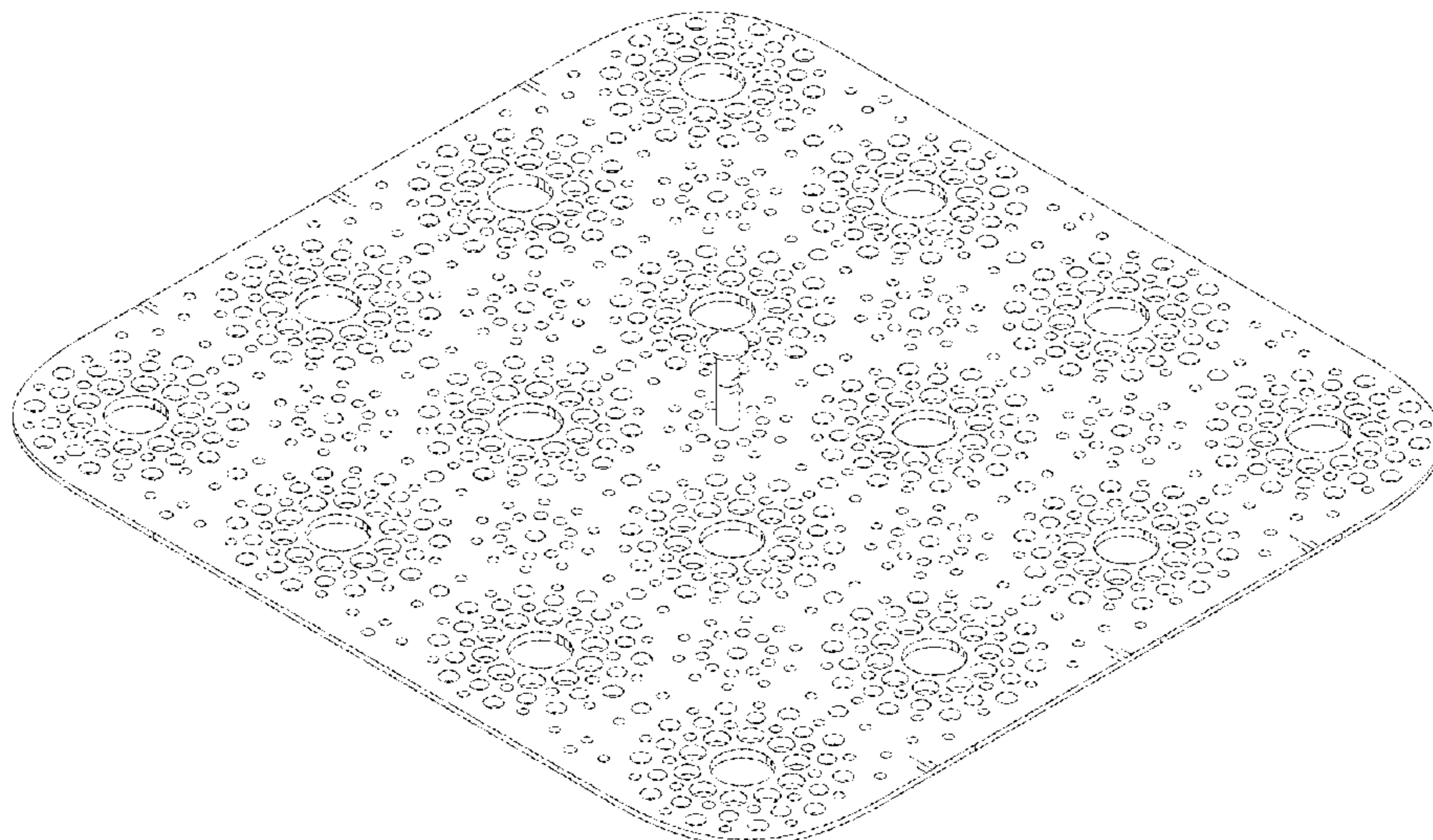


FIG. 1

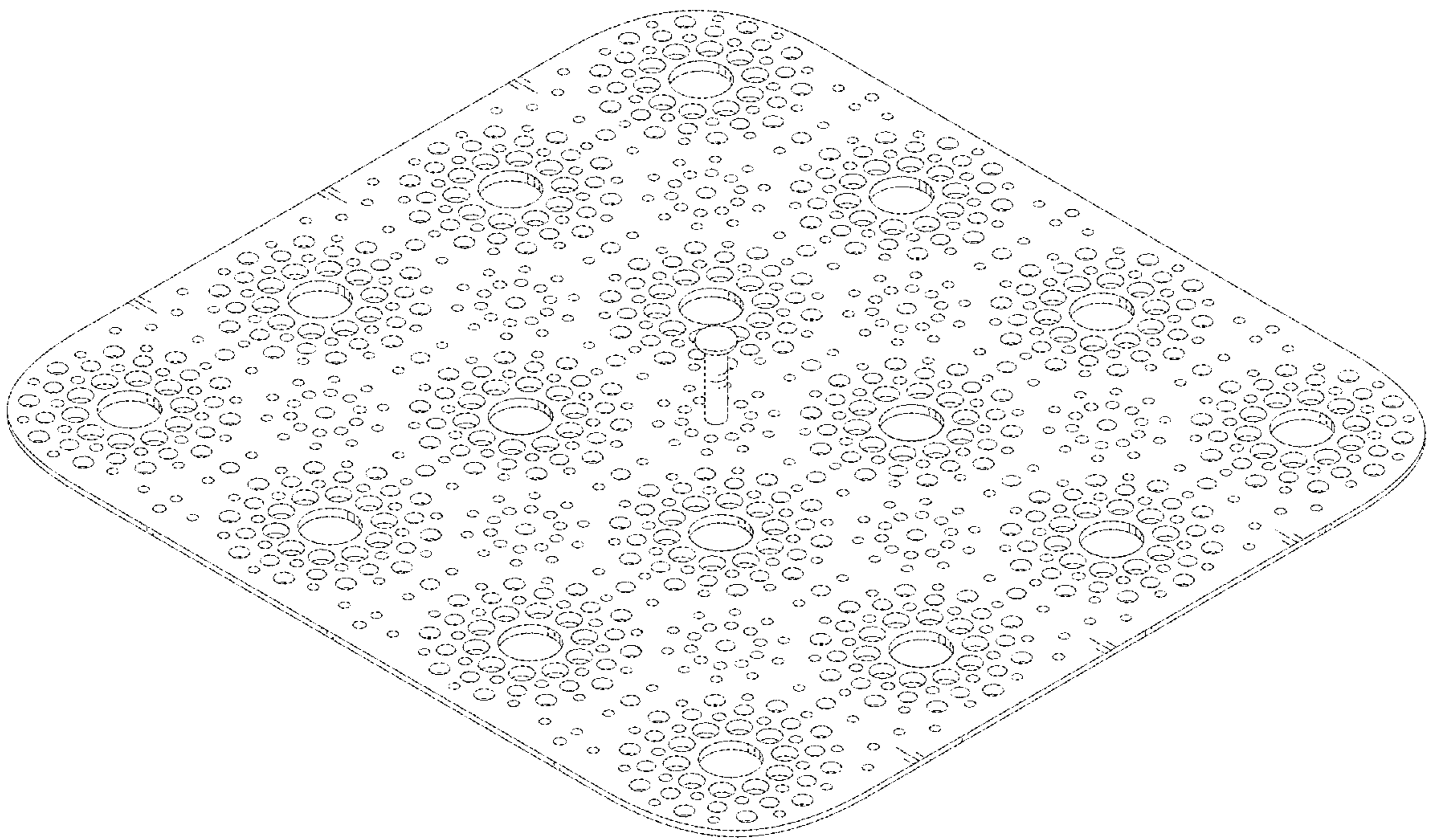


FIG. 2

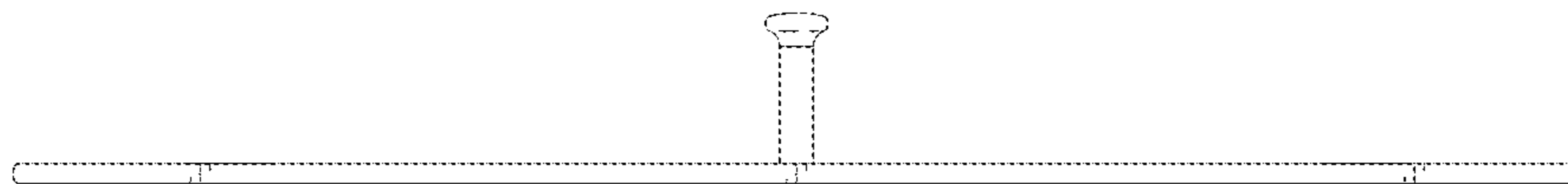


FIG. 3

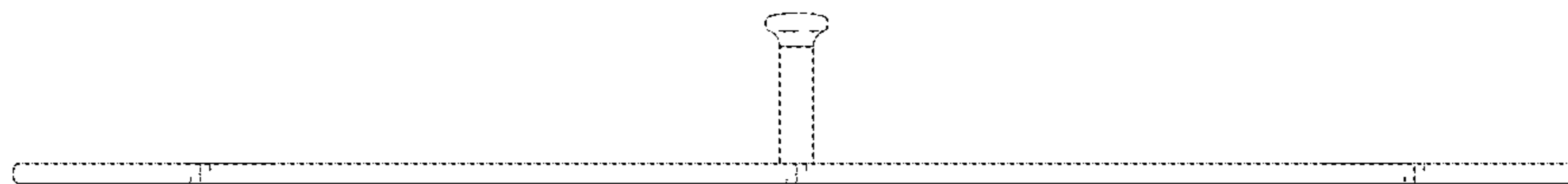


FIG. 4

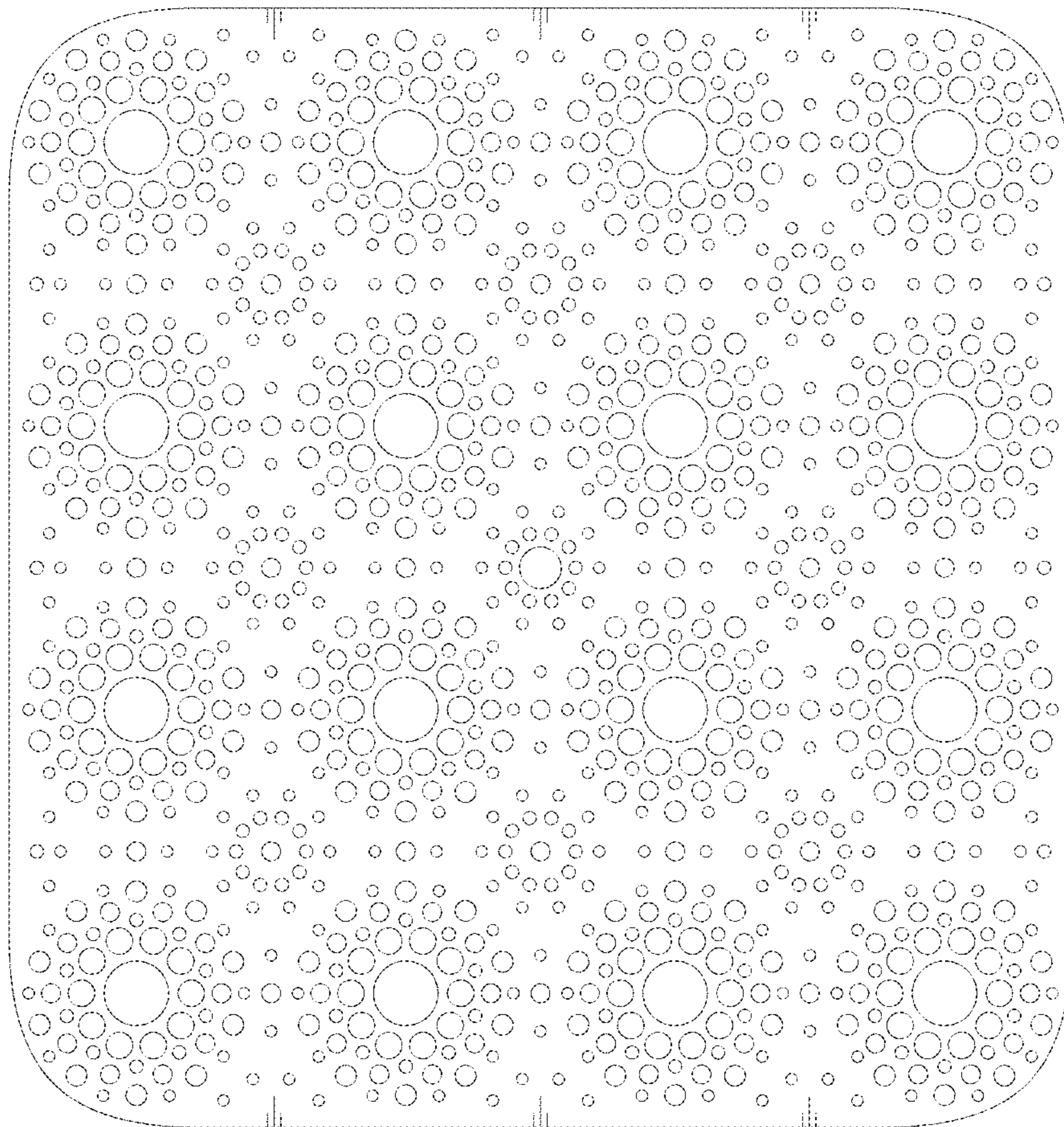


FIG. 5

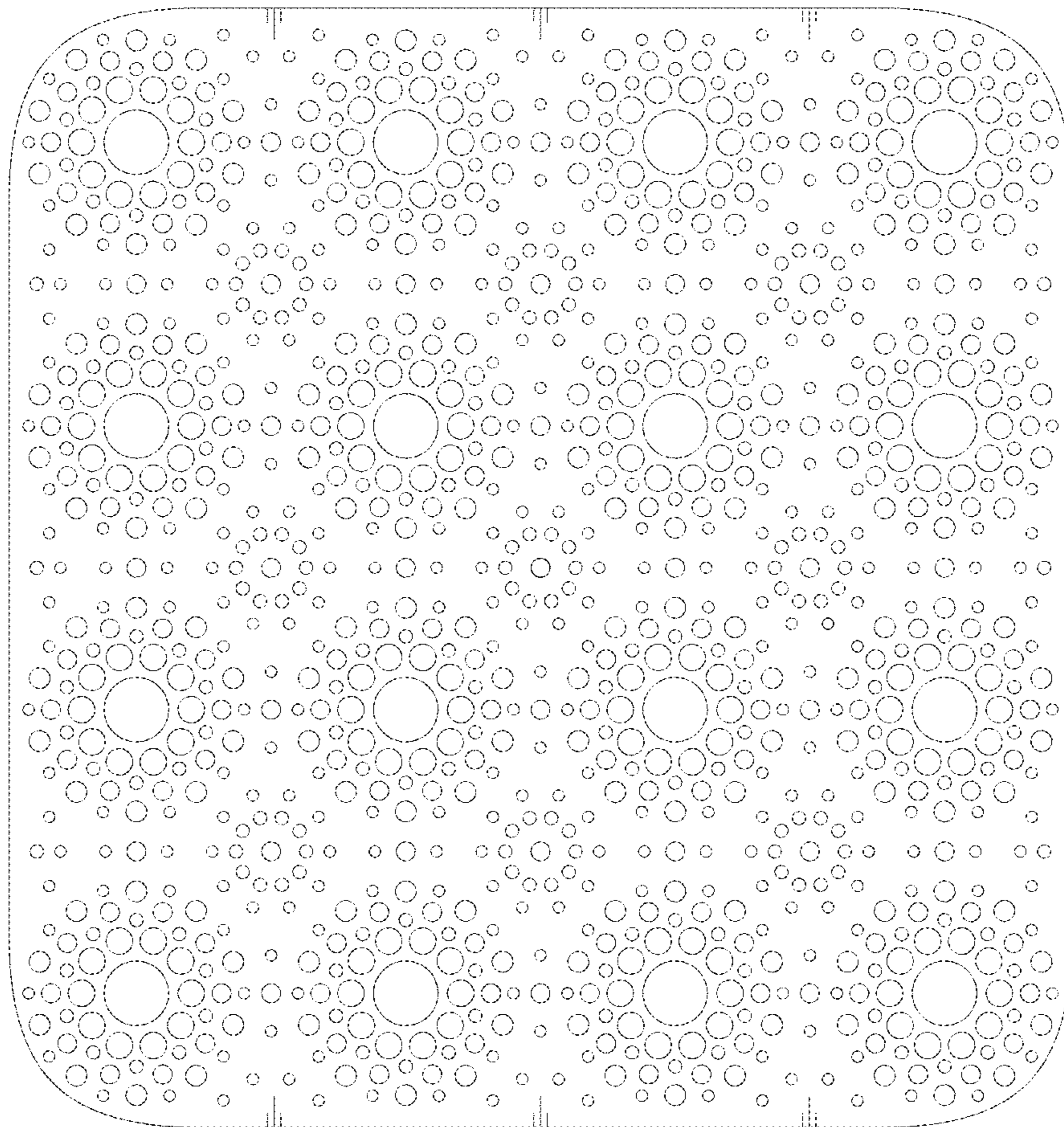


FIG. 6

